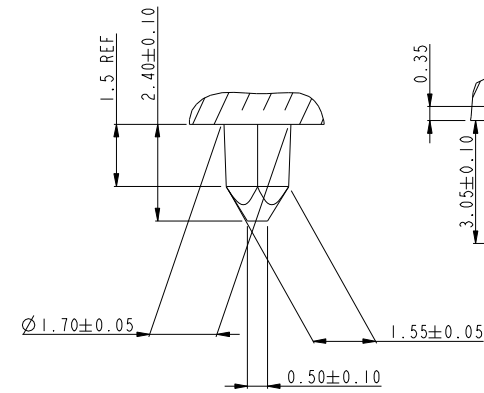
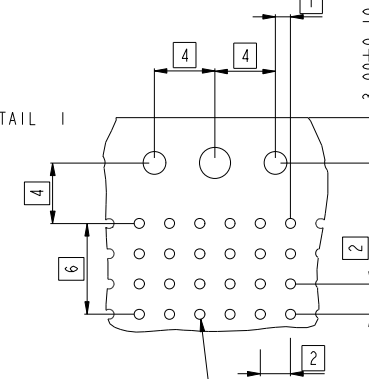
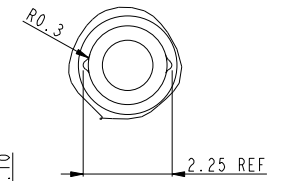
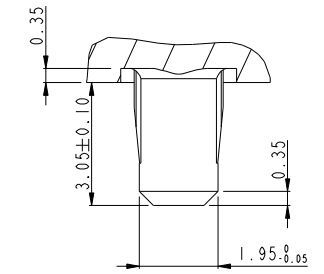


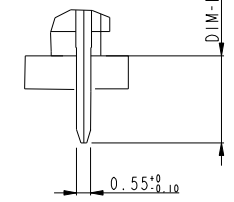
DETAIL OF LOCATION PEG



DETAIL OF CENTRAL PEG



DETAIL SOLDER PIN



HOLE ACCORDING TO PRODUCT SPEC GS-12-446

PART NUMBER	DIM-P±0.1				DIM-D±0.3
	ROW-A	ROW-B	ROW-C	ROW-D	
10101826-X01LF	5.00	5.00	5.00	5.00	2.9

NOTE 1: GENERAL CHARACTERISTICS ACCORDING TO GS-12-446

NOTE 2: ONE CENTER PEG FOR HOLD DOWN FORCE

NOTE 3: REAR END SUPPORT FOR BETTER ASSY ON PCB

NOTE 4: STANDARD PACKAGING IS TUBE

MARKING 10101826-1XXLF

NOTE 5: SPECIFIC REQUIREMENT DESIGNATIONS, FOR THE ROW AND COLUMN DESIGNATION MARKING ROTATED 180 DEGREES

rev	ecn no	dr	date
A	DG09-0264	Cenh	05/23/09
B	DG09-0326	Cenh	06/22/09
-	-	-	-
-	-	-	-
-	-	-	-
-	-	-	-

www.fciconnect.com			surface	tolerance std	projection	MM
			✓	TOLERANCES UNLESS OTHERWISE SPECIFIED	⊕	
Dr	Heaven Cen	5/23/09	ANGULAR	0.x ± 0.3	size	Scale
Eng	Heaven Cen	5/23/09	LINEAR	0.xx ± 0.10	A3	1.414
Chr	PM Zheng	5/23/09	0° ± °	0.xxx ± 0.050	ECN	
Appr	Joseph Hsia	5/23/09	Product family	Metral	Spec ref	
			title METRAL RA HDR NB STB WITH FRONT HOUSING ROTATED 180 DEGREES		dng no 10101826	Rev. B
			catalog no		CUSTOMER	sheet 1 of 1

REV F - 2006-04-17

X-ON Electronics

Largest Supplier of Electrical and Electronic Components

Click to view similar products for [DIN 41612 Connectors](#) category:

Click to view products by [FCT Electronics](#) manufacturer:

Other Similar products are found below :

[09231126901](#) [PCN10F-24P-2.54DS\(72\)](#) [004.767](#) [02221602702](#) [024069](#) [602427301412000](#) [013275](#) [691327-1](#) [74670-0732](#) [74680-0340](#)
[75880-0015](#) [76453-0014](#) [86093159ALF](#) [923454](#) [QLC260R](#) [120X10099X](#) [120X10019X](#) [120X10089X](#) [120X10129X](#) [121A10039X](#)
[121A10309X](#) [122A10019X](#) [122A10029X](#) [122A10249X](#) [122A10669X](#) [122A11089X](#) [122A13089X](#) [121B10409X](#) [122A10089X](#)
[122A10129X](#) [122A10349X](#) [122A13359X](#) [1377391-4](#) [DIN-048CPC-SR1-MH](#) [1393583-2](#) [1393726-7](#) [140X10059X](#) [140X10129X](#) [143-1913-](#)
[000](#) [143-1908-000](#) [1484472-1](#) [173052](#) [2110070-1](#) [2110070-2](#) [CBC20T00-008FDS5-0-1-002VR](#) [983-0SE12-12P6](#) [17041102202](#) [172699-](#)
[5036](#) [173051](#) [20](#) [8457096](#) [010](#) [025](#)