

10104997 - X 0 C - X 0 X L F

6-COLUMN DIFFERENTIAL SIGNAL

LEAD-FREE DESIGNATION ONLY WITH APPLICABLE PLATING CODES

LETTER	PERFORMANCE-BASED PLATING (SEE NOTE 2)	
	TARGET APPLICATION	LEAD FREE (LF)
B	TELCORDIA CO	NO
C	TELCORDIA UE	NO
D	TELCORDIA CO	YES
E	TELCORDIA UE	YES

NUMBER	PIN STYLE, HEIGHT
0	STANDARD GUIDE PIN MACHINED, 31.6mm

MODULE DESCRIPTION	LETTER DESIGNATION REPRESENTED IN DASH NUMBER										BASE MODULE
LEFT POLARIZING GUIDANCE MODULE (SEE SHEET 3)	J	A	B	C	D	E	F	G	H		
RIGHT POLARIZING GUIDANCE MODULE (SEE SHEET 4)	Y	P	Q	R	S	T	U	V	W		
OPEN MODULE (TWO WALL) (SEE SHEET 2)	0 (ZERO)										
LEFT WALL MODULE (SEE SHEET 5)	L										
RIGHT WALL MODULE (SEE SHEET 6)	M										
FOUR WALL MODULE (SEE SHEET 7)	1										

NUMBER	CONTACT MATING WIPE LENGTH		COMPLIANT PIN DRILL SIZE
	SIGNAL	WIDE GROUND	
1	2	4	Ø0.55 [0.0217"]
2	3	4	Ø0.55 [0.0217"]
3	2	4	Ø0.45 [0.0177"]
4	3	4	Ø0.45 [0.0177"]
5	2	3	Ø0.55 [0.0217"]
6	3	3	Ø0.55 [0.0217"]
7	2	3	Ø0.45 [0.0177"]
8	3	3	Ø0.45 [0.0177"]

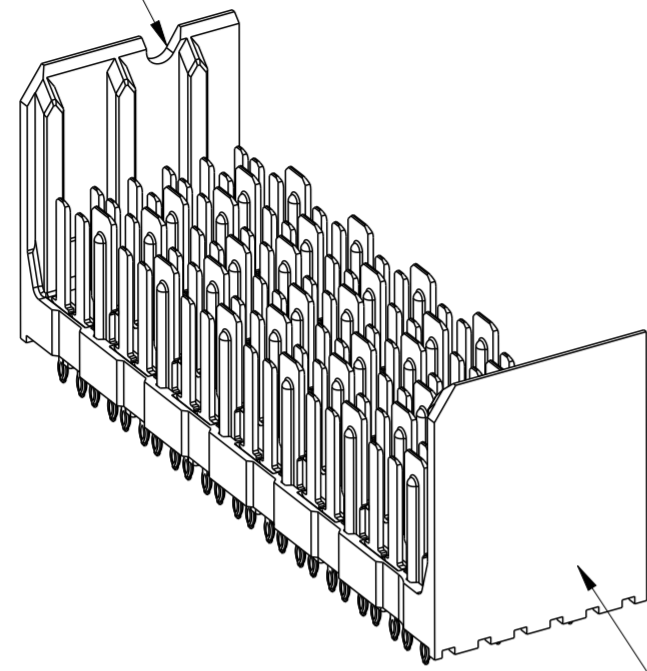
	GROUNDED	UNGROUNDED
FINISHED	Ø2.35-2.55	Ø2.35-2.55
PAD	Ø5.50	N/A
PLATED	YES	NO
DRILL (mm/in)	2.58 / .1015	2.44 / .096

SCREW P/N	DESCRIPTION	BOARD THICKNESS
10091790-002LF	#2-56 X .375" PHILLIPS PANHEAD W/SQ CONICAL WASHER	1.60 - 5.00
10091790-003LF	#2-56 X .500" PHILLIPS PANHEAD W/SQ CONICAL WASHER	5.00 - 10.00

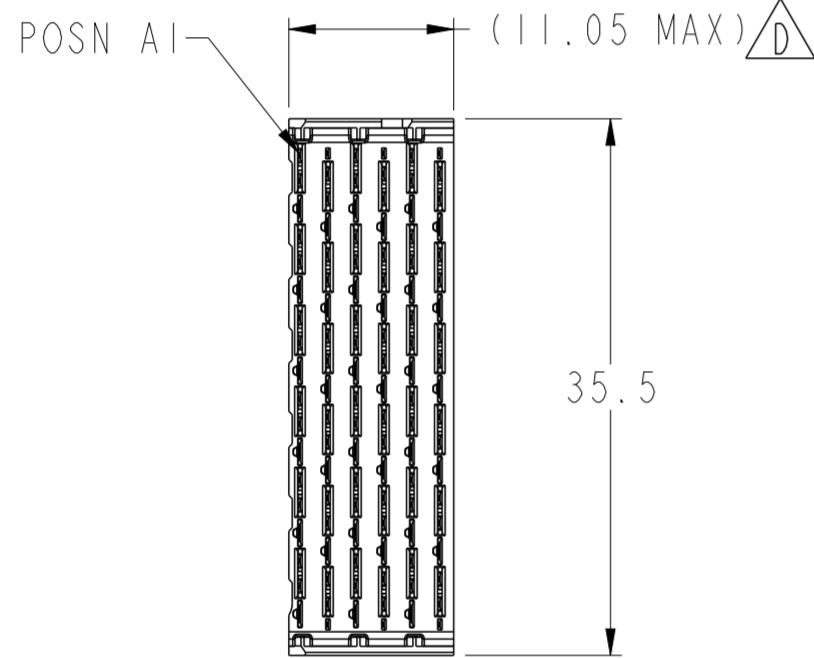
spec ref	SEE NOTES	dr	Kok-Hoe Lee	2010/06/23	projection	MM	size	A2	scale	4:1	
tolerance std	ASME Y14.5	eng	Roger Ng	2011/10/06	chr	-	ecn no	ELX-S-006346-1	rel level	Released	
surface	linear	0.X	±0.2	0.XX	±0.10	0.XXX	±0.050	angular	0°	±°	
ASME Y14.5	angular	0°	±°	www.fci.com		cat. no.	SEE P/N TREE	Product - Customer Drw	sheet 1 of 8	rev	D

OPEN (2-WALL) MODULE

SEE NOTE 8

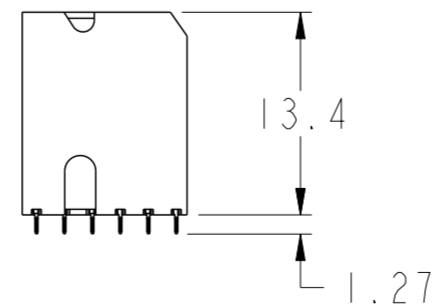
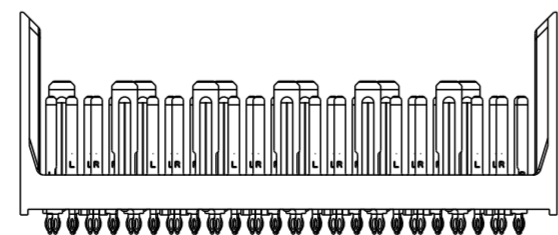
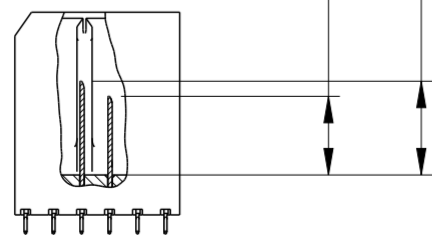


SEE NOTE 5

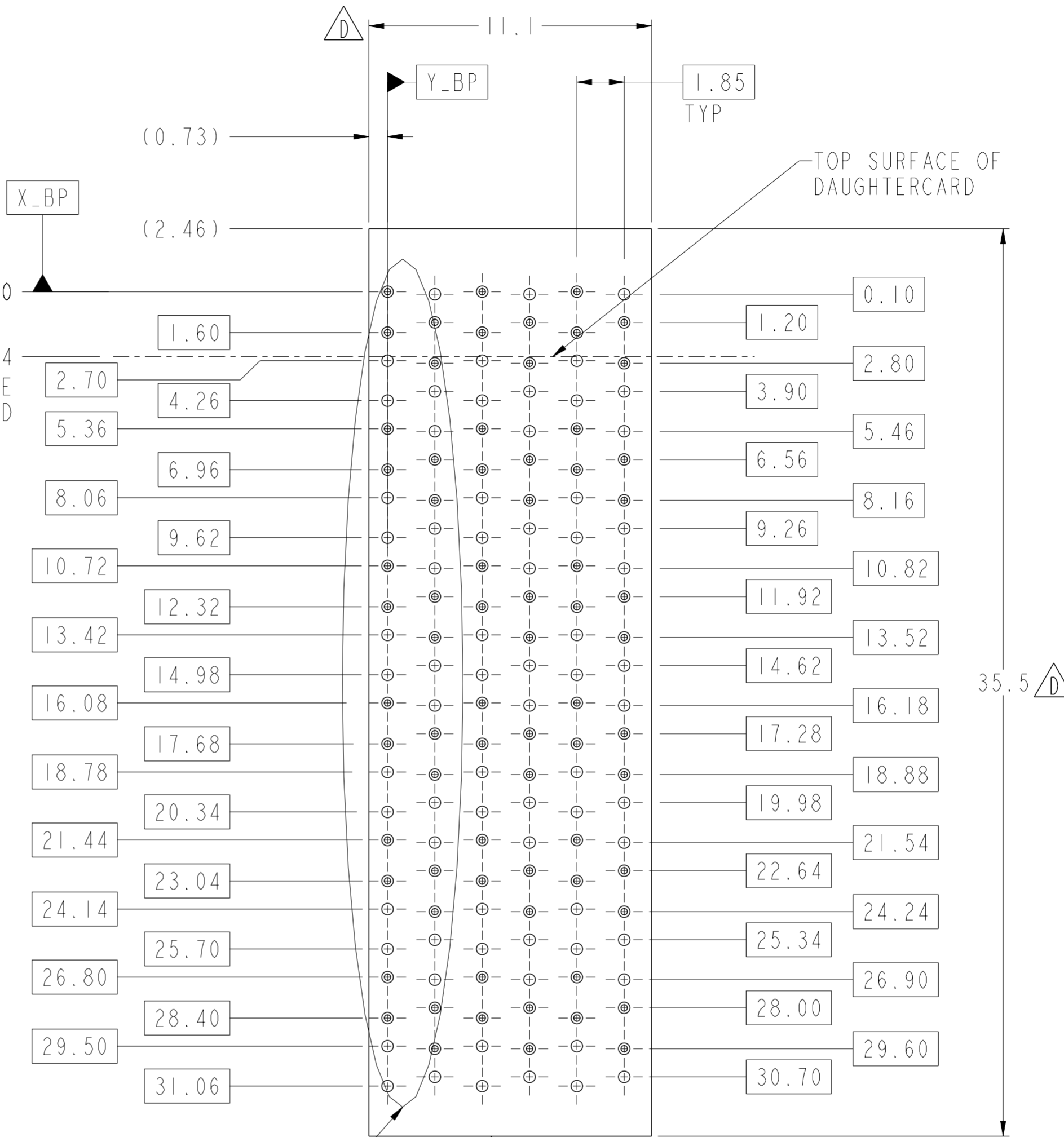


- 6.2 (4MM WIPE WIDE GROUNDS)
- 5.2 (3MM WIPE WIDE GROUNDS)
- 5.2 (3MM SMALL END GROUNDS)
- 5.2 (3MM WIPE SIGNALS)
- 4.2 (2MM WIPE SIGNALS)

(SEE P/N TREE FOR ALL COMBINATIONS AVAILABLE)



2.54
TO TOP SURFACE
OF DAUGHTERCARD



SEE DETAIL A
(SHEET 8)

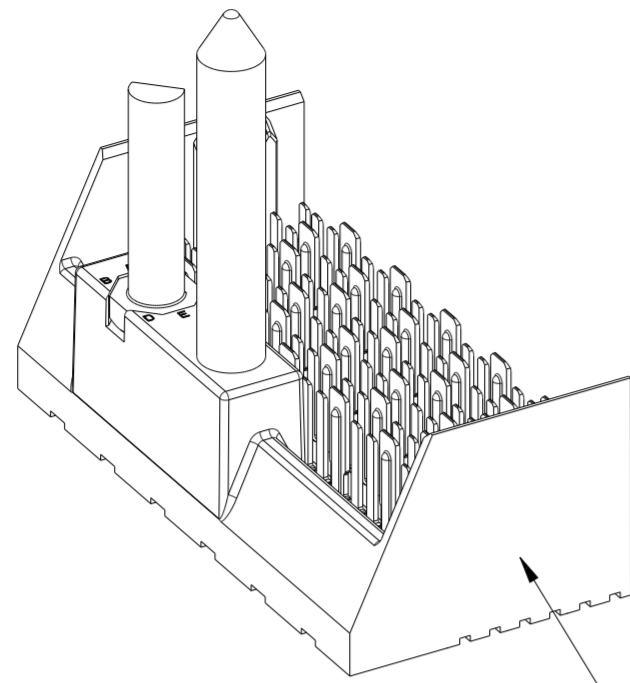
NOMINAL MODULE OUTLINE

PCB HOLE PATTERN
COMPONENT SIDE
SCALE 6:1

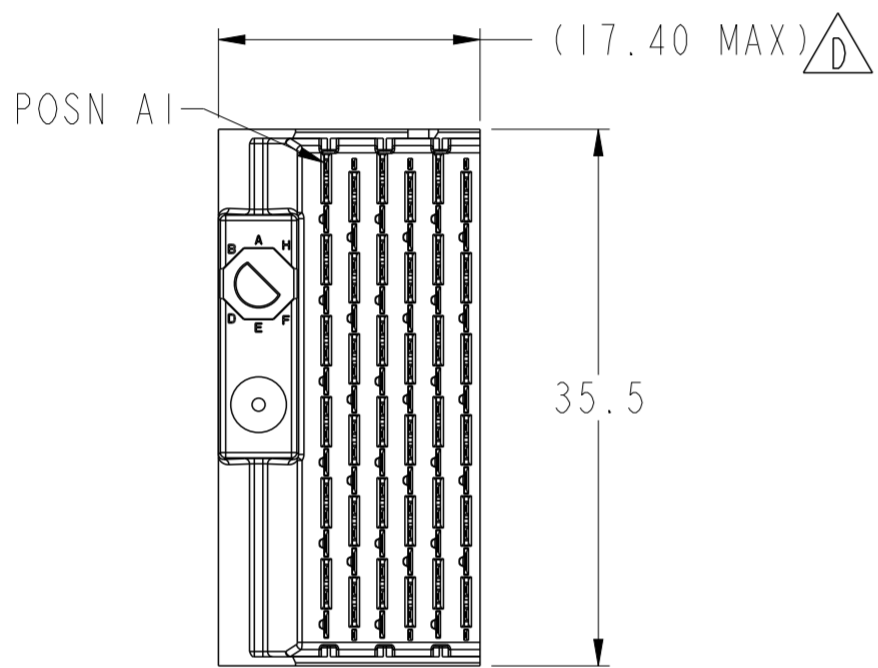
spec ref	SEE NOTES	dr	Kok-Hoe Lee	2010/06/23	projection	MM	size	A2	scale	4:1
tolerance std	TOLERANCES UNLESS OTHERWISE SPECIFIED	eng	Roger Ng	2011/10/06			ecn no	ELX-S-006346-1		
ASME Y14.5		chr					rel level	Released		
surface	linear	0.X	±0.2		product family	XCode	dwg no	10104997		
		0.XX	±0.10			cat. no.	SEE P/N TREE	Product - Customer Drw	sheet 2 of 8	
ASME Y14.5	angular	0°	±°			PDS: Rev :D	STATUS: Released	Printed: Oct 06, 2011		

Copyright FCI. FCI

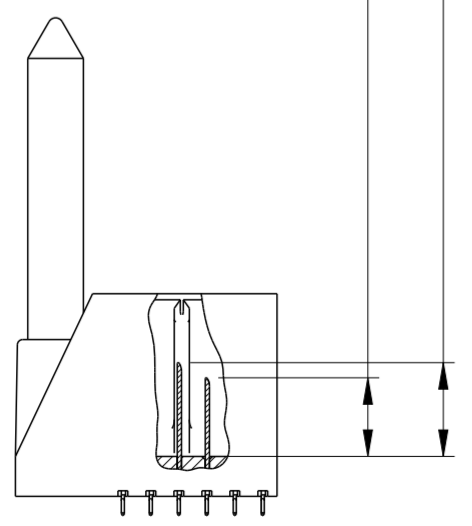
LEFT POLARIZING/GUIDE MODULE



SEE NOTE 5



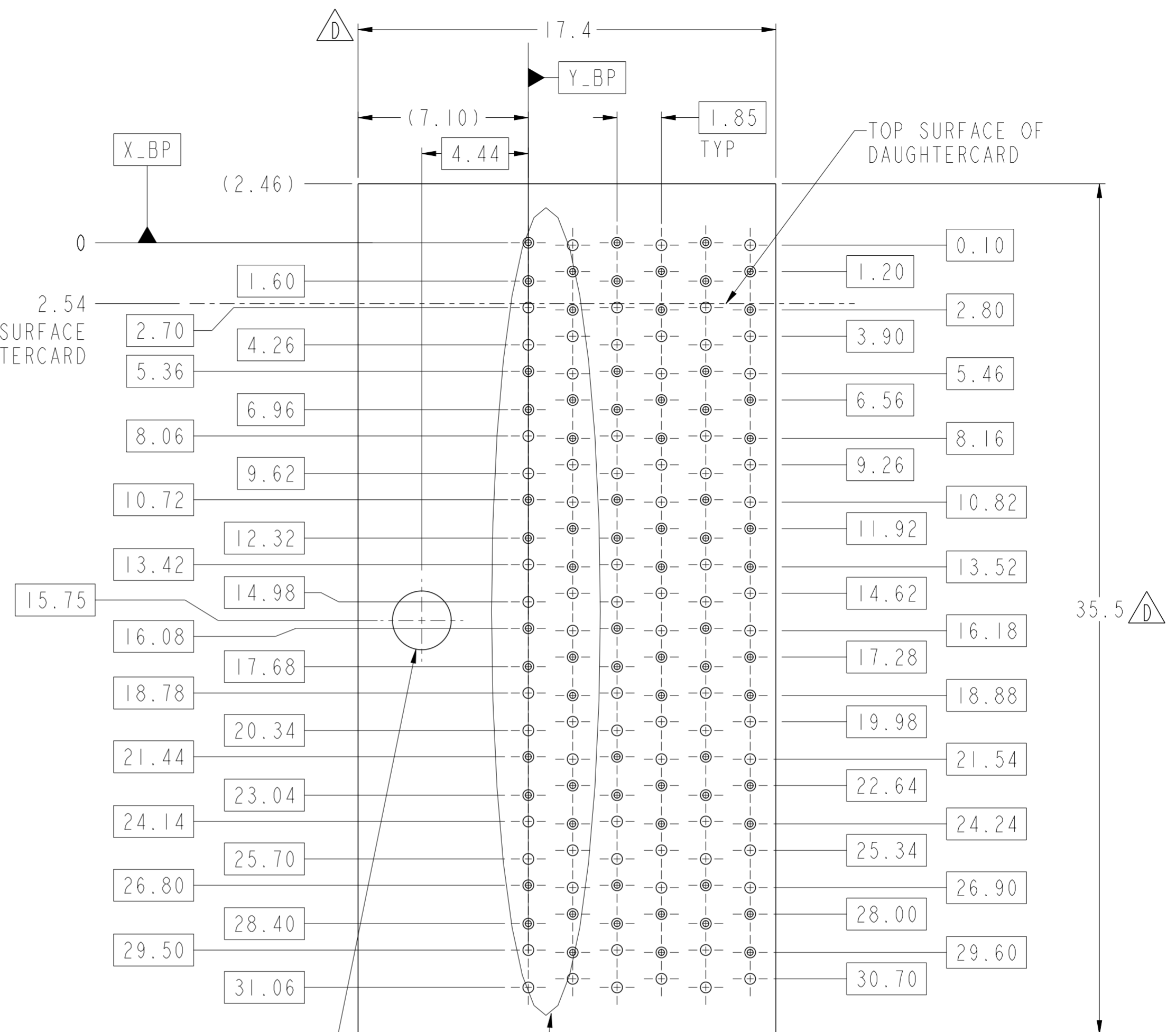
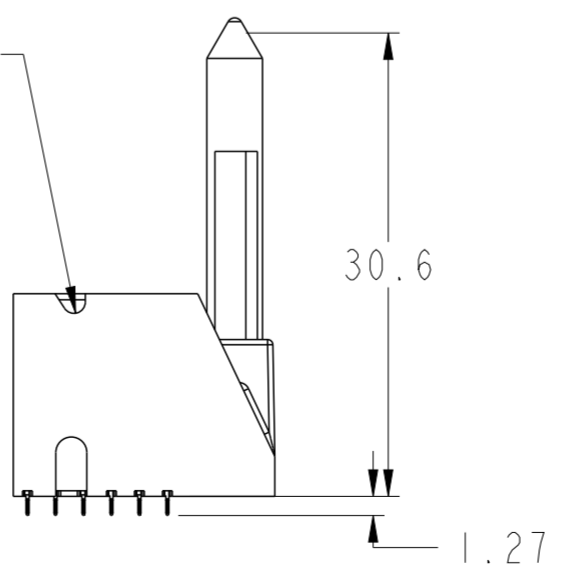
- 6.2 (4MM WIPE WIDE GROUNDS)
 - 5.2 (3MM WIPE WIDE GROUNDS)
 - 5.2 (3MM SMALL END GROUNDS)
 - 5.2 (3MM WIPE SIGNALS)
 - 4.2 (2MM WIPE SIGNALS)
- (SEE P/N TREE FOR ALL COMBINATIONS AVAILABLE)



OPTIONAL KEYING PIN
(SEE P/N TREE)

GUIDE PIN

SEE NOTE 8

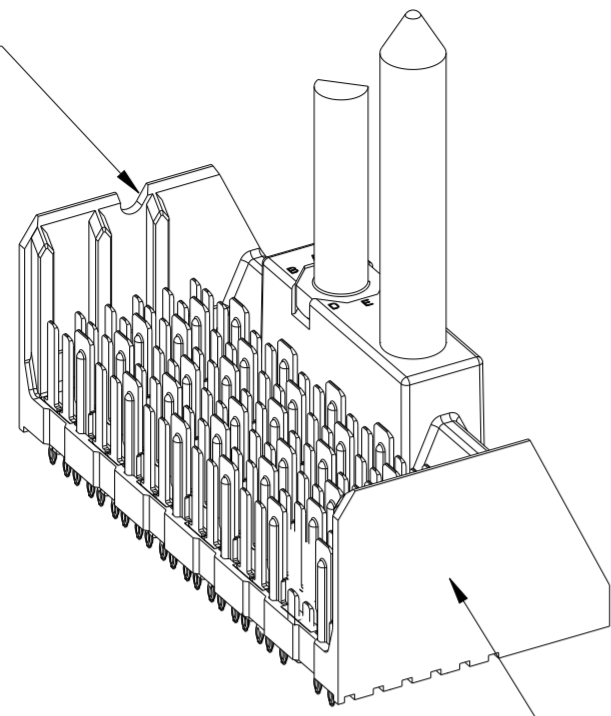


\oplus	0.10	X_BP	Y_BP
----------	------	------	------

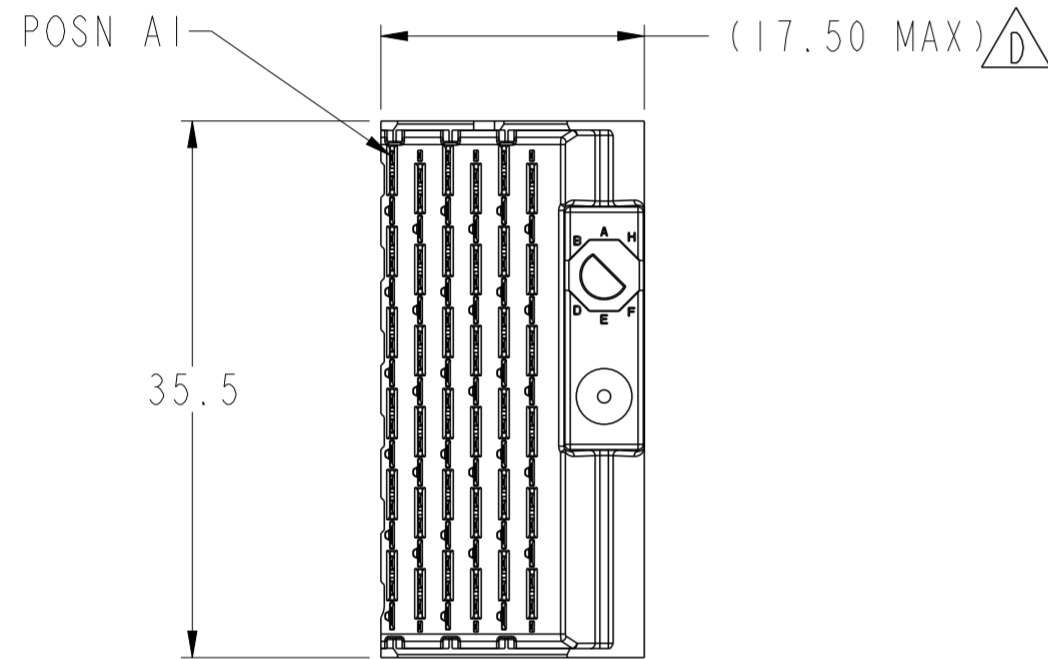
spec ref	SEE NOTES	dr	Kok-Hoe Lee	2010/06/23	projection	MM	size	A2	scale	4:1
tolerance std	ASME Y14.5	eng	Roger Ng	2011/10/06	chr	-	ecn no	ELX-S-006346-1	rel level	Released
surface	✓	appr	Chen-Hong Tan	2011/10/06	product family	XCode	cat. no.	SEE P/N TREE	Product - Customer Drw	sheet 3 of 8
linear	0.X ±0.2 0.XX ±0.10 0.XXX ±0.050	angular	0° ±°			TITLE MODULE ASSEMBLY VERTICAL HEADER, 6-COLUMN, 6-PAIR	dwg no 10104997	rev D		

RIGHT POLARIZING/GUIDE MODULE

SEE NOTE 8

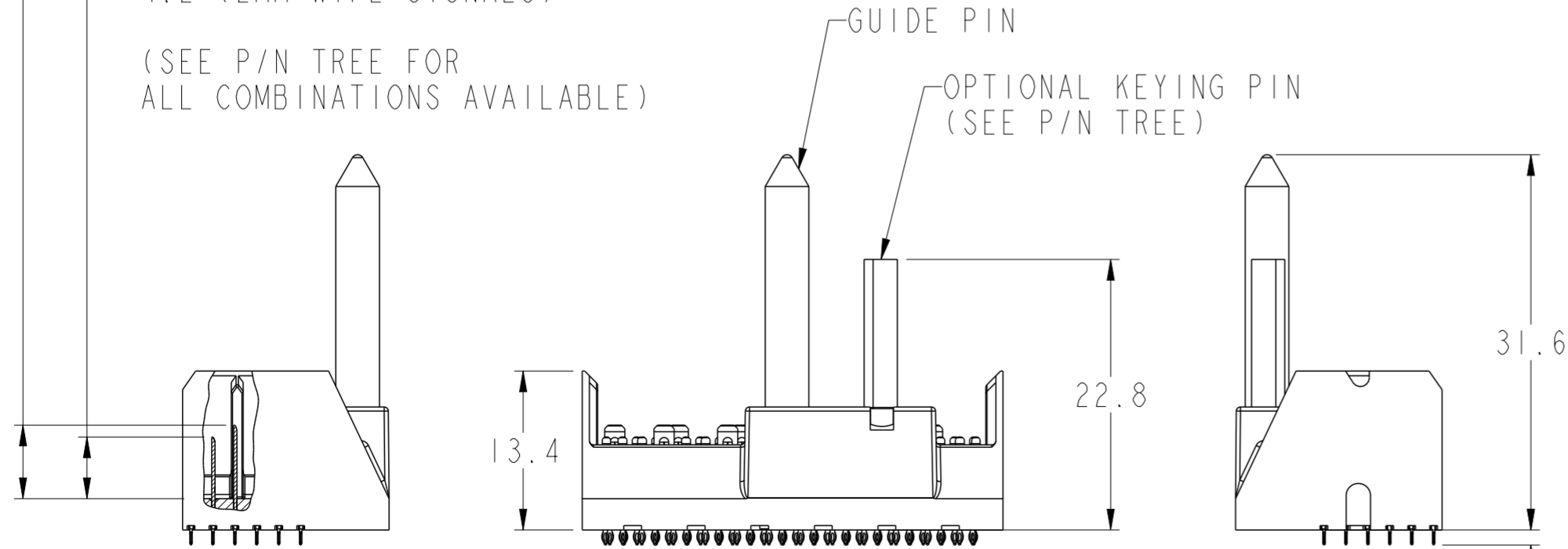


SEE NOTE 5

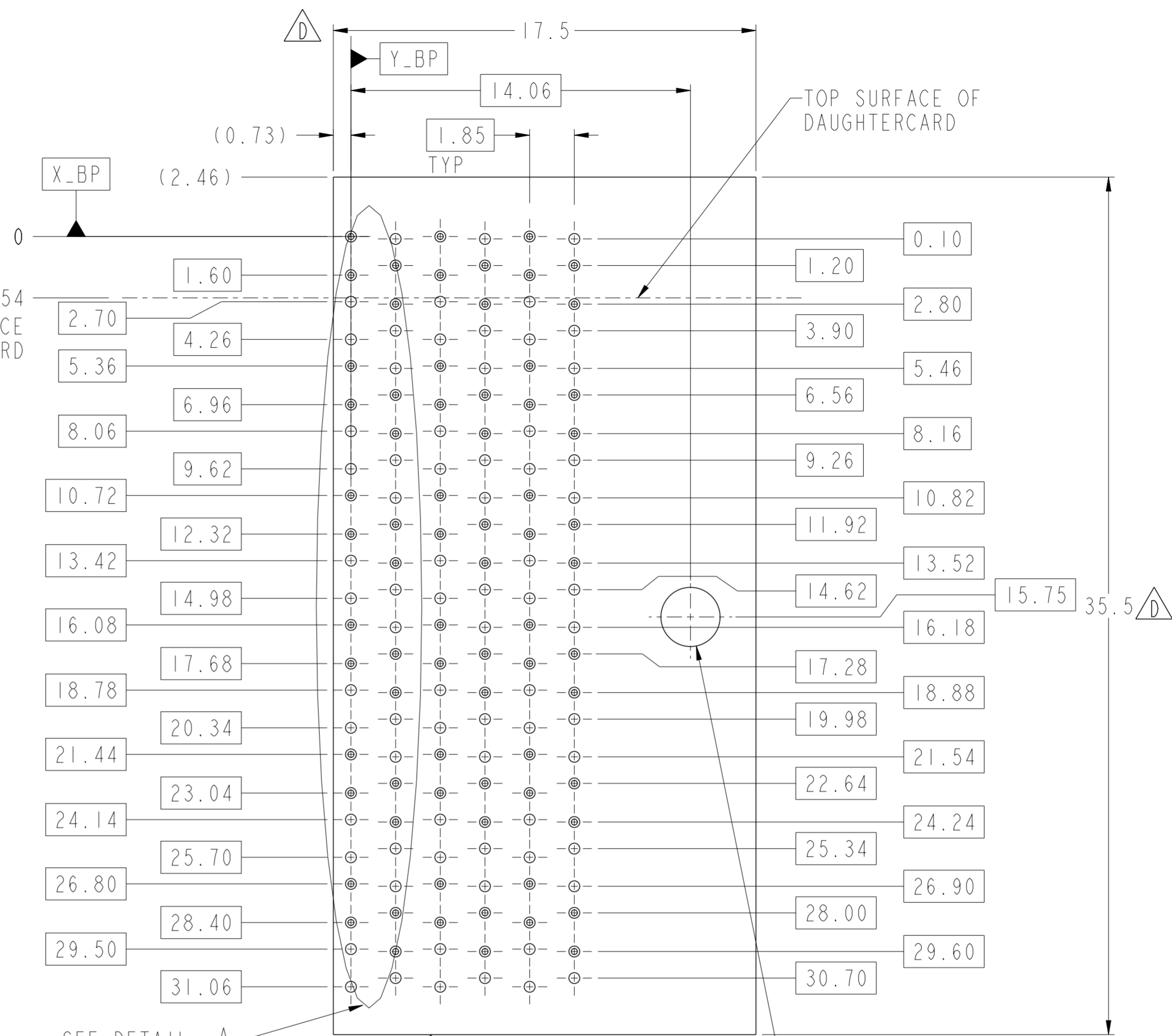


- 6.2 (4MM WIPE WIDE GROUNDS)
- 5.2 (3MM WIPE WIDE GROUNDS)
- 5.2 (3MM SMALL END GROUNDS)
- 5.2 (3MM WIPE SIGNALS)
- 4.2 (2MM WIPE SIGNALS)

(SEE P/N TREE FOR ALL COMBINATIONS AVAILABLE)



2.54
TO TOP SURFACE
OF DAUGHTERCARD



SEE DETAIL A
(SHEET 8)

NOMINAL MODULE OUTLINE

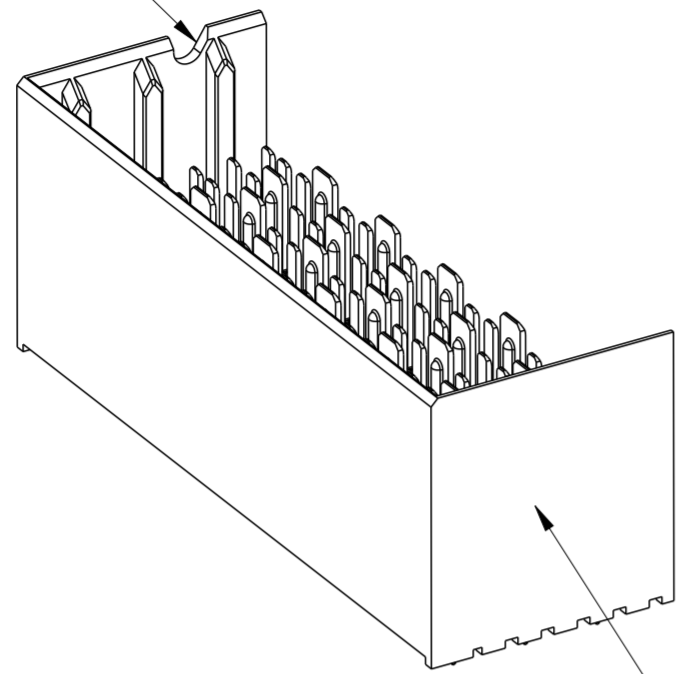
PCB HOLE PATTERN
COMPONENT SIDE
SCALE 6:1

Ø 2.55
2.35
⊕ Ø0.10 X_BP Y_BP
SEE NOTE 11 & TABLE 1

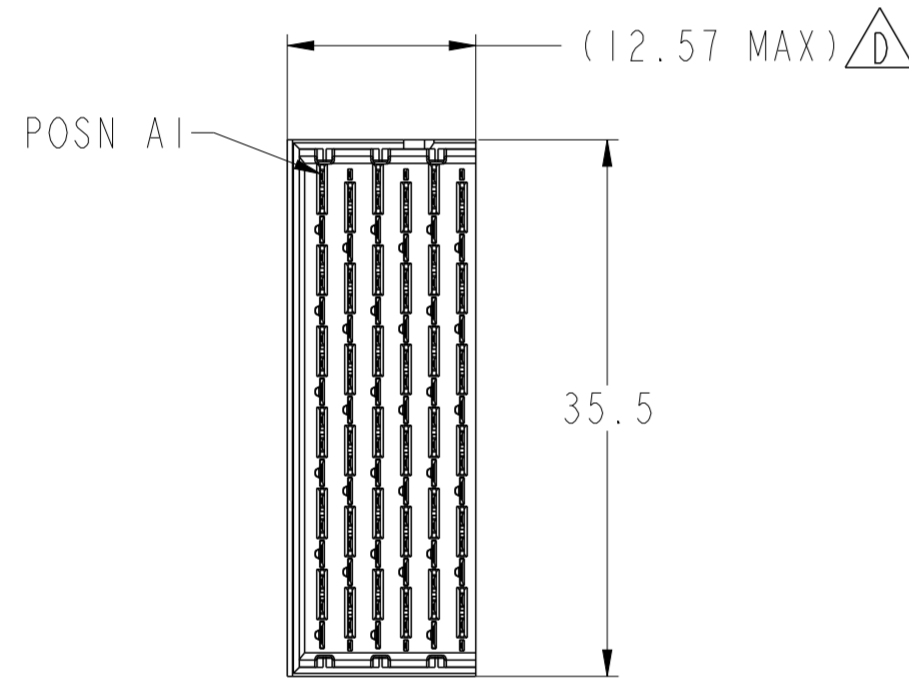
spec ref	SEE NOTES	dr	Kok-Hoe Lee	2010/06/23	projection	MM	size	A2	scale	4:1											
tolerance std	TOLERANCES UNLESS OTHERWISE SPECIFIED	eng	Roger Ng	2011/10/06			ecn no	ELX-S-006346-1													
ASME Y14.5		chr		2011/10/06			product family	XCode	rel level	Released											
surface	<table border="1"> <tr> <td>linear</td> <td>0.X</td> <td>±0.2</td> </tr> <tr> <td></td> <td>0.XX</td> <td>±0.10</td> </tr> <tr> <td></td> <td>0.XXX</td> <td>±0.050</td> </tr> <tr> <td>ASME Y14.5</td> <td>angular</td> <td>0°</td> <td>±°</td> </tr> </table>	linear	0.X	±0.2		0.XX	±0.10		0.XXX	±0.050	ASME Y14.5	angular	0°	±°		TITLE MODULE ASSEMBLY VERTICAL HEADER, 6-COLUMN, 6-PAIR		cat. no. SEE P/N TREE	Product - Customer Drw	sheet 4 of 8	rev D
linear	0.X	±0.2																			
	0.XX	±0.10																			
	0.XXX	±0.050																			
ASME Y14.5	angular	0°	±°																		

LEFT WALL MODULE

SEE NOTE 8

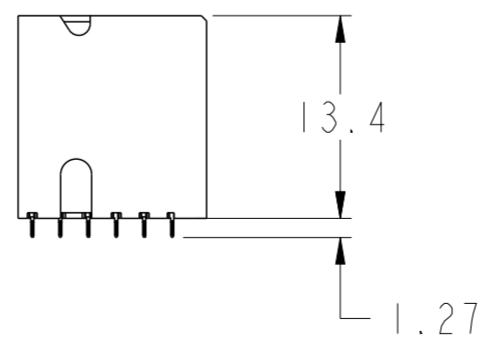
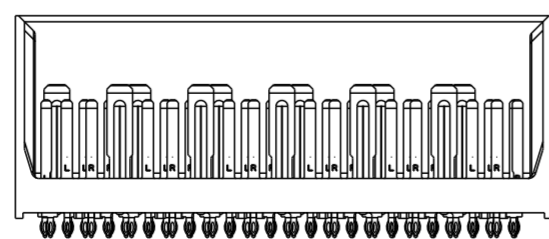
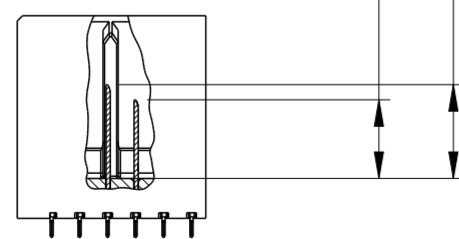


SEE NOTE 5

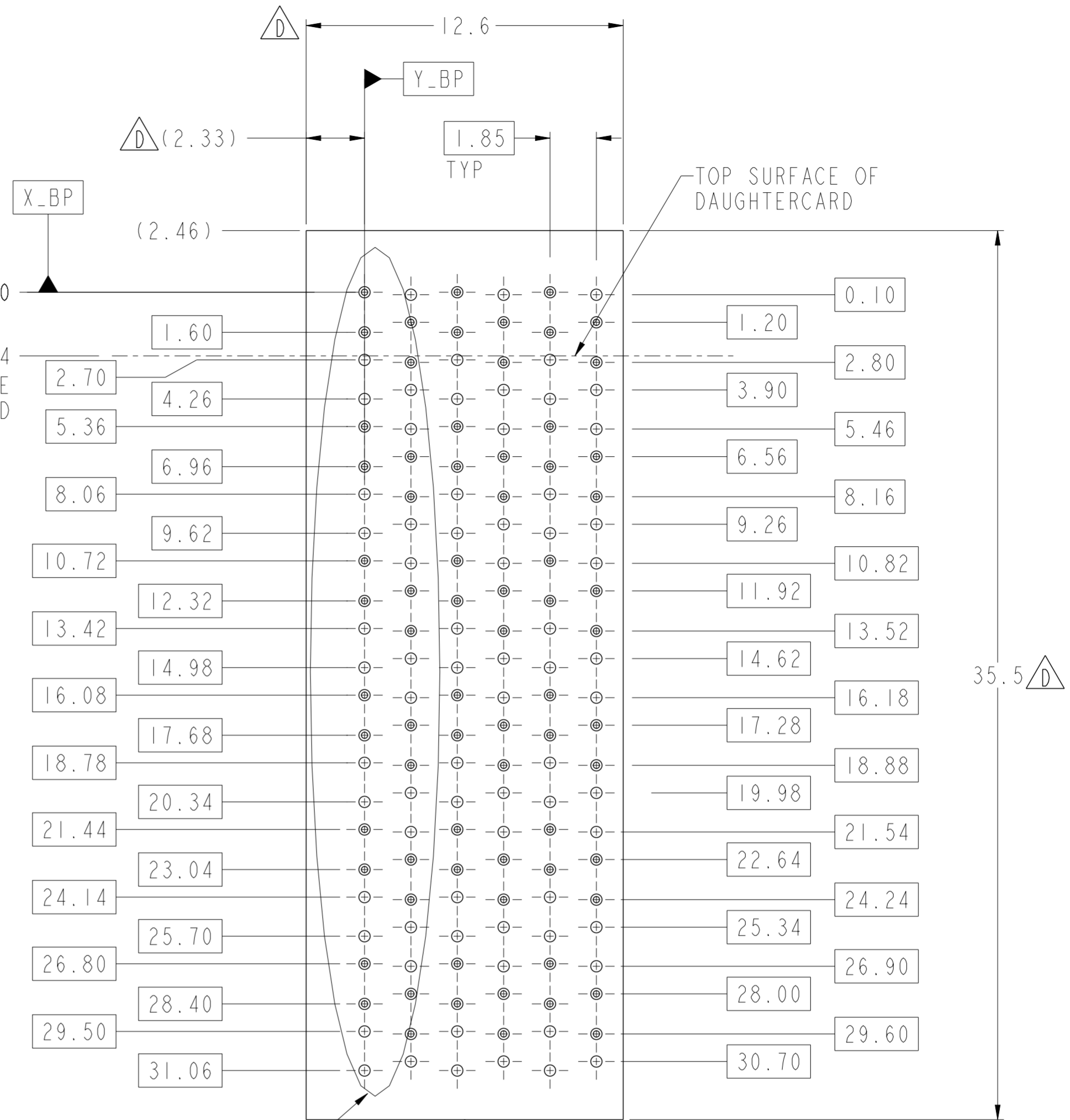


- 6.2 (4MM WIPE WIDE GROUNDS)
- 5.2 (3MM WIPE WIDE GROUNDS)
- 5.2 (3MM SMALL END GROUNDS)
- 5.2 (3MM WIPE SIGNALS)
- 4.2 (2MM WIPE SIGNALS)

(SEE P/N TREE FOR ALL COMBINATIONS AVAILABLE)



2.54
TO TOP SURFACE
OF DAUGHTERCARD



SEE DETAIL A
(SHEET 8)

NOMINAL MODULE OUTLINE
PCB HOLE PATTERN
COMPONENT SIDE
SCALE 6:1

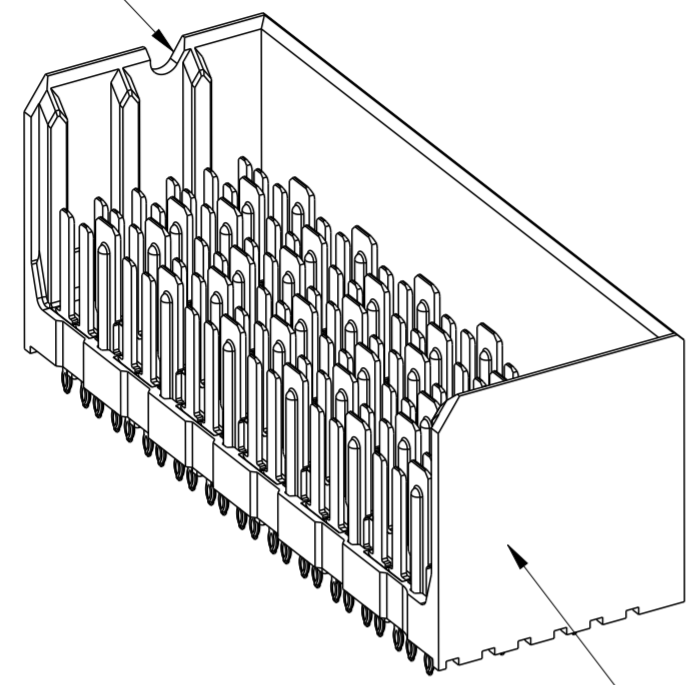
spec ref	SEE NOTES	dr	Kok-Hoe Lee	2010/06/23	projection	MM	size	A2	scale	4:1	
tolerance std	ASME Y14.5	eng	Roger Ng	2011/10/06	chr	-	ecn no	ELX-S-006346-1	rel level	Released	
surface	linear	appr	Chen-Hong Tan	2011/10/06	product family	XCode	cat. no.	SEE P/N TREE	Product - Customer Drw	sheet 5 of 8	
ASME Y14.5	angular	0°	±	0.X	±0.2	0.XX	±0.10	0.XXX	±0.050	www.fci.com	
TITLE						MODULE ASSEMBLY		10104997		rev	D
PDS: Rev :D						STATUS: Released		Printed: Oct 06, 2011			



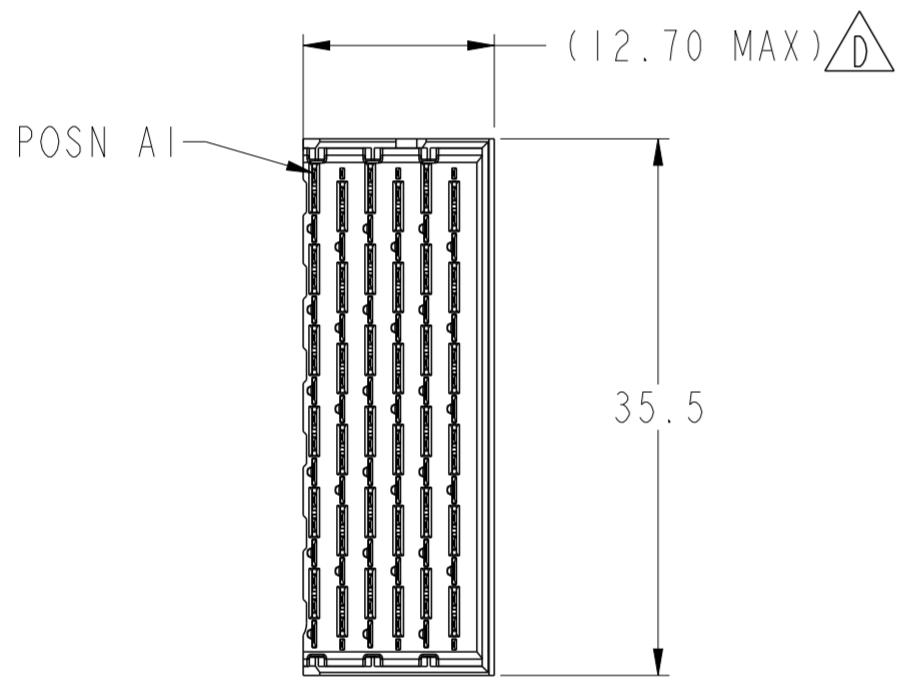
Copyright FCI.

RIGHT WALL MODULE

SEE NOTE 8



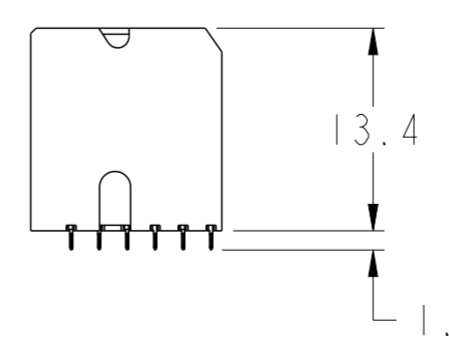
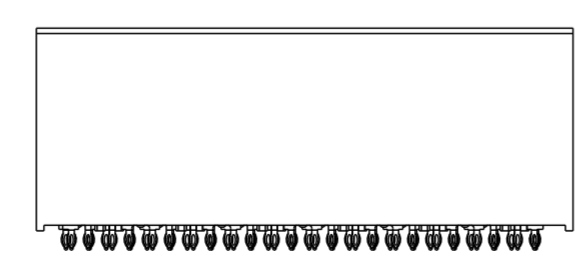
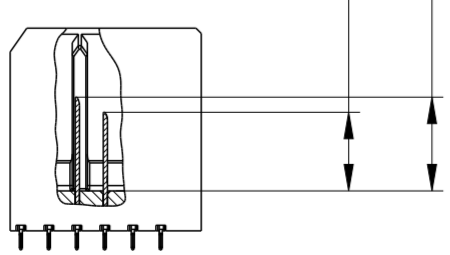
SEE NOTE 5



SCALE 2:1

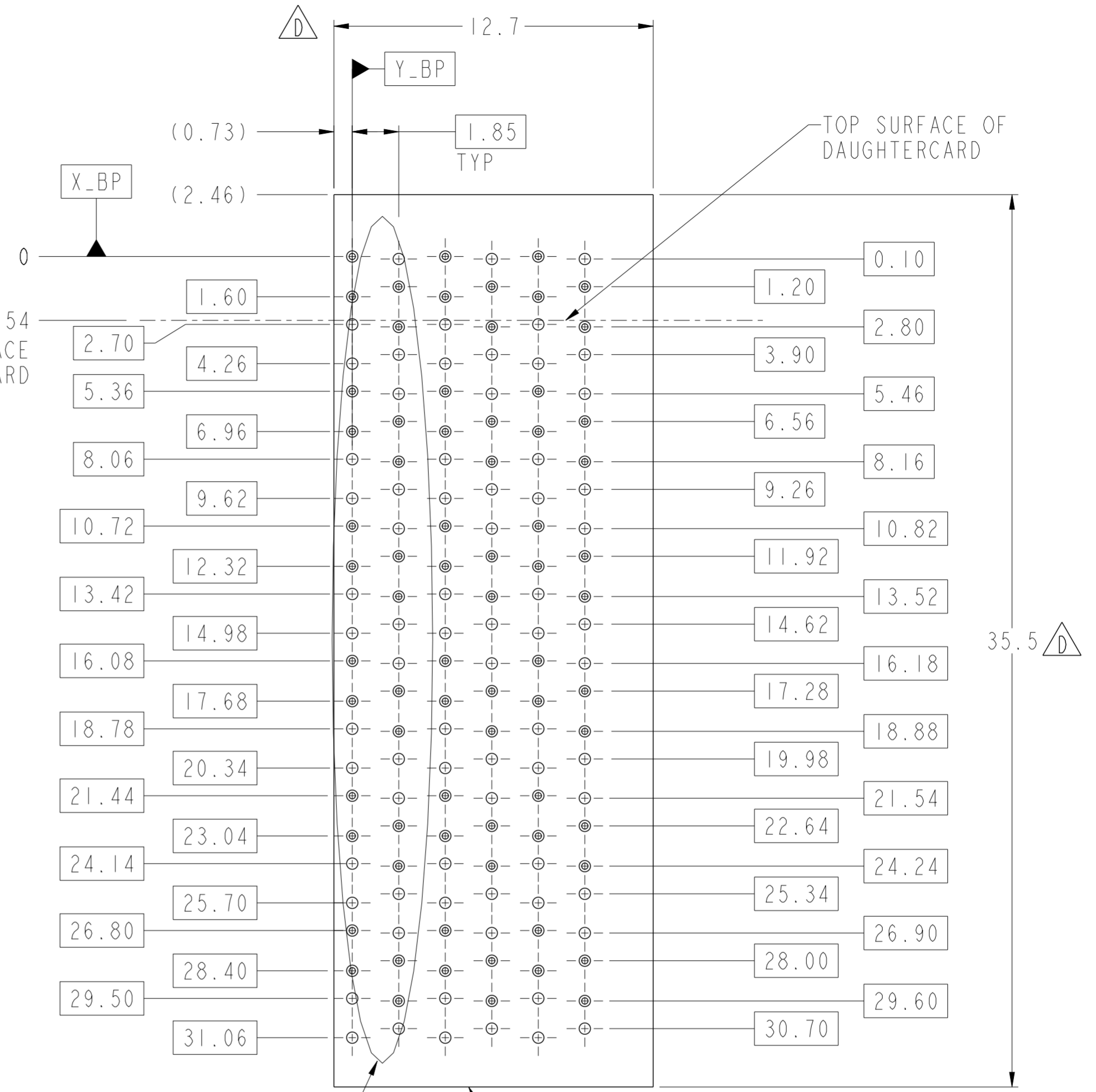
- 6.2 (4MM WIPE WIDE GROUNDS)
- 5.2 (3MM WIPE WIDE GROUNDS)
- 5.2 (3MM SMALL END GROUNDS)
- 5.2 (3MM WIPE SIGNALS)
- 4.2 (2MM WIPE SIGNALS)

(SEE P/N TREE FOR ALL COMBINATIONS AVAILABLE)



1.27

2.54
TO TOP SURFACE
OF DAUGHTERCARD



SEE DETAIL A
(SHEET 8)

NOMINAL MODULE OUTLINE

PCB HOLE PATTERN
COMPONENT SIDE
SCALE 6:1

spec ref	SEE NOTES	dr	Kok-Hoe Lee	2010/06/23	projection	MM	size	A2	scale	4:1											
tolerance std	TOLERANCES UNLESS OTHERWISE SPECIFIED	eng	Roger Ng	2011/10/06			ecn no	ELX-S-006346-1	rel level	Released											
ASME Y14.5		chr		2011/10/06							product family	XCode									
surface	<table border="1"> <tr> <td>linear</td> <td>0.X</td> <td>±0.2</td> </tr> <tr> <td></td> <td>0.XX</td> <td>±0.10</td> </tr> <tr> <td></td> <td>0.XXX</td> <td>±0.050</td> </tr> <tr> <td>angular</td> <td>0°</td> <td>±°</td> </tr> </table>	linear	0.X	±0.2		0.XX	±0.10		0.XXX	±0.050	angular	0°	±°	apppr	Chen-Hong Tan	2011/10/06	www.fci.com	cat. no.	SEE P/N TREE	Product - Customer Drw	sheet 6 of 8
linear	0.X	±0.2																			
	0.XX	±0.10																			
	0.XXX	±0.050																			
angular	0°	±°																			
				TITLE MODULE ASSEMBLY VERTICAL HEADER, 6-COLUMN, 6-PAIR		dwg no	10104997		rev	D											

PDS: Rev :D

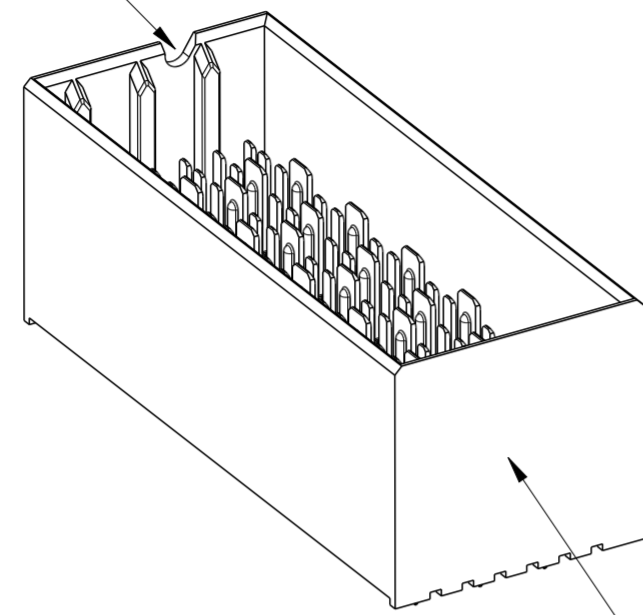
STATUS:Released

Printed: Oct 06, 2011

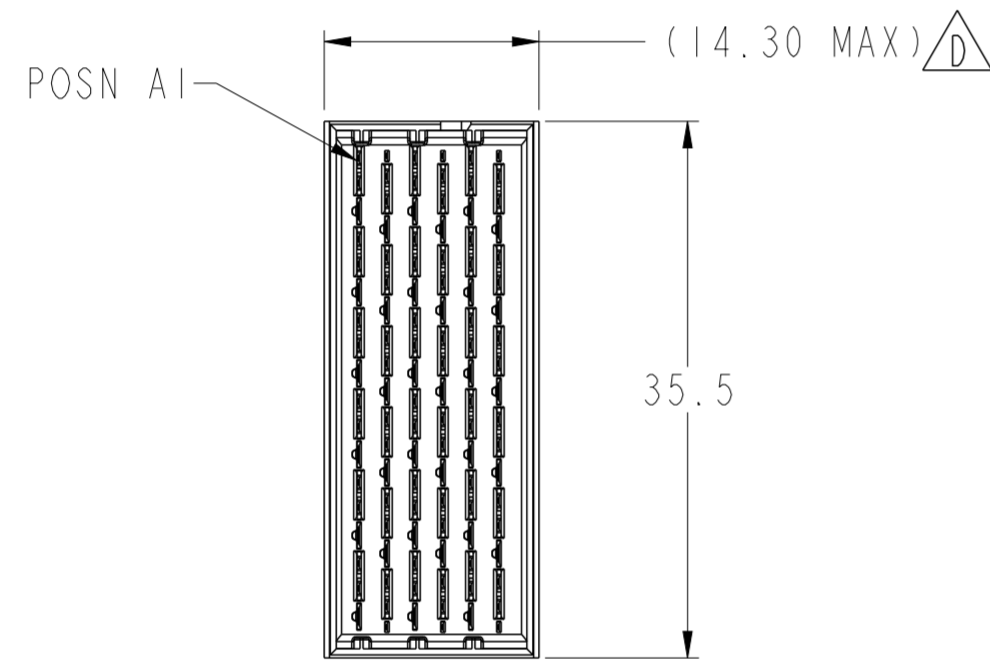
Copyright FCI.

FOUR WALL MODULE

SEE NOTE 8

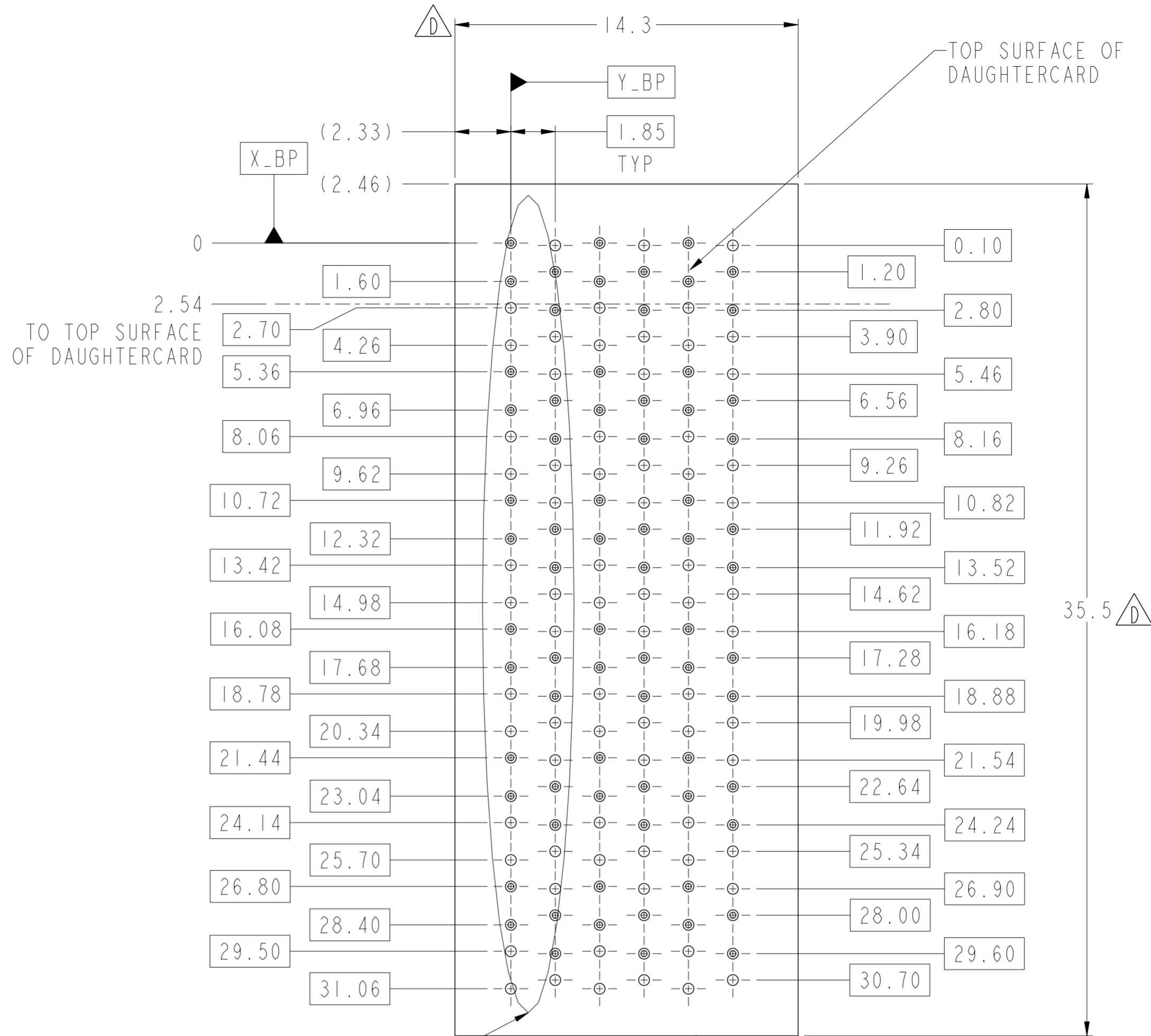
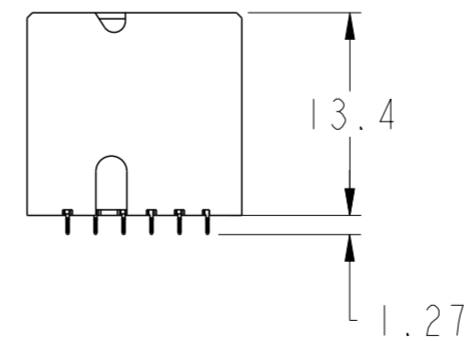
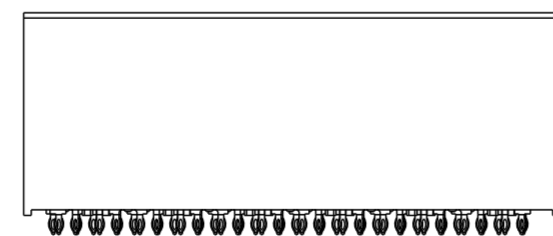
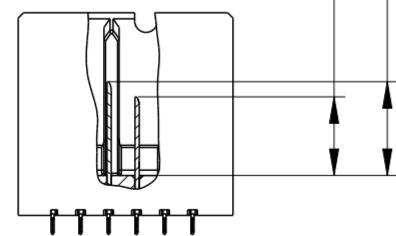


SEE NOTE 5



- 6.2 (4MM WIPE WIDE GROUNDS)
- 5.2 (3MM WIPE WIDE GROUNDS)
- 5.2 (3MM SMALL END GROUNDS)
- 5.2 (3MM WIPE SIGNALS)
- 4.2 (2MM WIPE SIGNALS)

(SEE P/N TREE FOR ALL COMBINATIONS AVAILABLE)



SEE DETAIL A (SHEET 8)

PCB HOLE PATTERN
COMPONENT SIDE
SCALE 6:1

NOMINAL MODULE OUTLINE

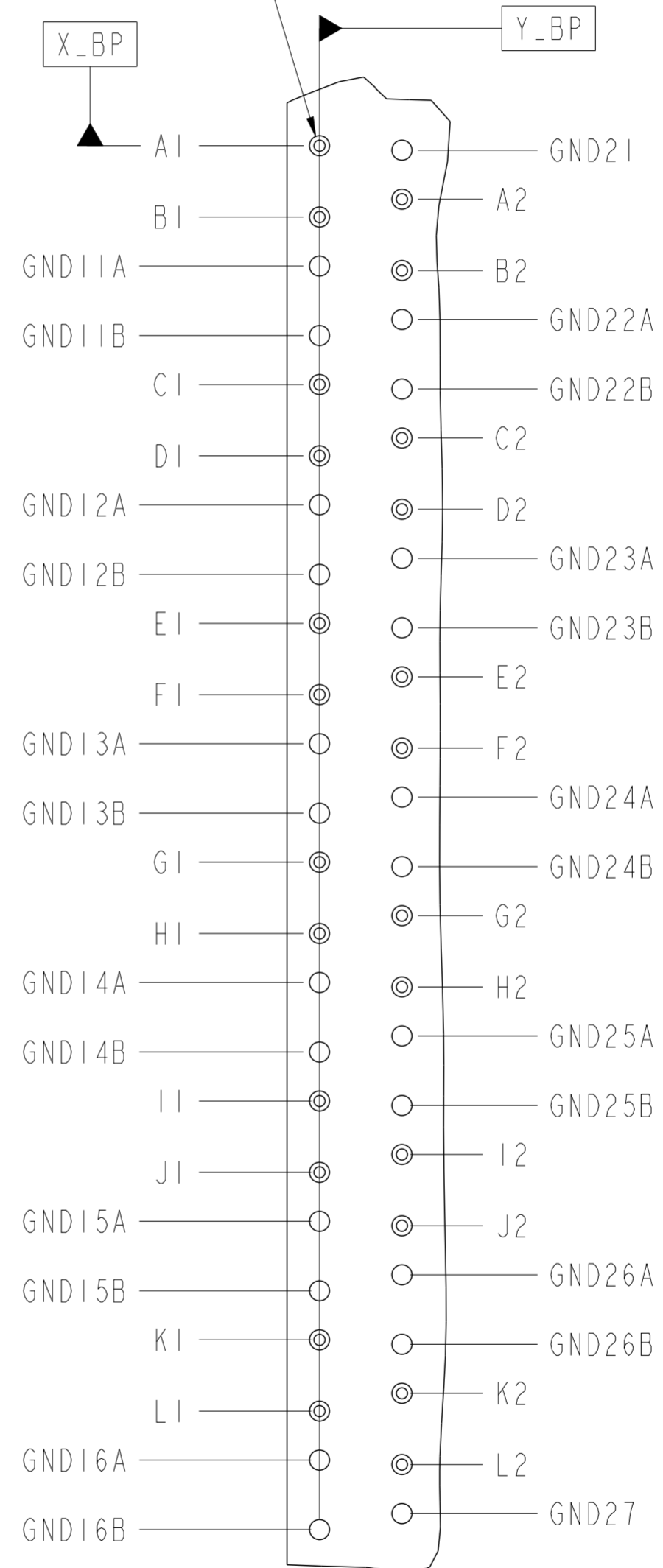
Copyright FCI.

spec ref	SEE NOTES	dr	Kok-Hoe Lee	2010/06/23	projection	MM	size	A2	scale	4:1												
tolerance std	TOLERANCES UNLESS OTHERWISE SPECIFIED	eng	Roger Ng	2011/10/06			ecn no	ELX-S-006346-1	rel level	Released												
ASME Y14.5		chr		2011/10/06							product family	XCode										
surface	<table border="1"> <tr> <td>linear</td> <td>0.X</td> <td>±0.2</td> </tr> <tr> <td></td> <td>0.XX</td> <td>±0.10</td> </tr> <tr> <td></td> <td>0.XXX</td> <td>±0.050</td> </tr> <tr> <td>angular</td> <td>0°</td> <td>±°</td> </tr> </table>	linear	0.X	±0.2		0.XX	±0.10		0.XXX	±0.050	angular	0°	±°	appr	Chen-Hong Tan	2011/10/06	title	MODULE ASSEMBLY	dwg no	10104997	rev	D
linear	0.X	±0.2																				
	0.XX	±0.10																				
	0.XXX	±0.050																				
angular	0°	±°																				
ASME Y14.5		www.fci.com	cat. no.	SEE P/N TREE	Product - Customer Drw	sheet 7 of 8																

TABLE 3: PTH AND PAD SIZES WITH REFERENCE TO COMPLIANT PIN DRILL		
COMPLIANT PIN DRILL	PTH	PAD
Ø0.55 [0.0217"]	Ø0.45±0.05	Ø0.85
Ø0.45 [0.0177"]	Ø0.36±0.05	Ø0.75

REFER TABLE 3 FOR PTH, DRILL & PAD SIZES

⊕	Ø0.10	X_BP	Y_BP
---	-------	------	------



- NOTES:
- CONNECTOR MATERIALS
SHROUD: HIGH-TEMP THERMOPLASTIC, GRAY, UL94V-0
CONTACTS: HIGH PERFORMANCE COPPER ALLOY
 - CONTACT PLATING:
SEPARABLE INTERFACE: PERFORMANCE-BASED PLATING, QUALIFIED TO MEET THE REQUIREMENTS OF FCI PRODUCT SPECIFICATION GS-12-588, INCLUDING TELCORDIA GR-1217-CORE (NOVEMBER 1995) CENTRAL OFFICE (CO) OR UNCONTROLLED ENVIRONMENT (UE) TEST SEQUENCE AS NOTED IN P/N TREE.
PRESS-FIT TAILS: TIN OVER NICKEL, OR TIN-LEAD ALLOY OVER NICKEL. SEE P/N TREE.
 - PRODUCT SPECIFICATION: GS-12-588
 - APPLICATION SPECIFICATION: GS-20-121
 - PRODUCT MARKING (PART NUMBER AND LOT CODE) ON THESE SURFACES.
 - HOUSING MUST WITHSTAND EXPOSURE TO 260°C PEAK TEMPERATURE FOR 40 SECONDS IN A CONVECTION, INFRA-RED, OR VAPOR-PHASE REFLOW OVEN.
 - PACKAGING MEETS GS-14-920 LEAD-FREE LABELING SPECIFICATION.
 - NOTCH INDICATES "ROW A" SIDE OF CONNECTOR.
 - SEE APPLICATION SPECIFICATION FOR ROUTING GUIDELINES, ADDITIONAL PTH GUIDELINES, MATED DIMENSIONS, GUIDE PN SELECTION, ETC.
 - SCREW IS OPTIONAL AND ENGAGES WITH BOTTOM OF GUIDE-PIN FROM BENEATH THE PCB FOR ADDITIONAL GUIDE-PIN SUPPORT.
 - OPTIONAL HOLE LOCATION FOR GROUNDED PIN OR ADDITIONAL GUIDE-PIN SUPPORT. SEE TABLE 1 ON SHEET 1 FOR ADDITIONAL DETAILS.
 - A \triangle D SYMBOL WILL BE NEXT TO ANY DIMENSION, VIEW, OR NOTE WHICH HAS BEEN MODIFIED WITH THE CURRENT DRAWING REVISION.

DETAIL A
SCALE 8:1

spec ref	SEE NOTES	dr	Kok-Hoe Lee	2010/06/23	projection	MM	size	A2	scale	4:1		
tolerance std	TOLERANCES UNLESS OTHERWISE SPECIFIED	eng	Roger Ng	2011/10/06			ecn no	ELX-S-006346-1				
ASME Y14.5		chr	-	appr			Chen-Hong Tan	2011/10/06	product family	XCode	rel level	Released
surface	linear	0.X	±0.2				title	MODULE ASSEMBLY		dwg no	10104997	rev
ASME Y14.5	angular	0°	±	www.fci.com	cat. no.	SEE P/N TREE	Product - Customer Drw	sheet 8 of 8				

Copyright FCI. FCI

X-ON Electronics

Largest Supplier of Electrical and Electronic Components

Click to view similar products for [High Speed/Modular Connectors](#) category:

Click to view products by [Amphenol](#) manufacturer:

Other Similar products are found below :

[2332816-1](#) [89006-1137LF](#) [650827-1](#) [65762-001LF](#) [73474-201LF](#) [74040-1346](#) [74075-0267](#) [88911-201LF](#) [9514M0C20D](#) [1410191-1](#)
[1410337-1](#) [1410368-3](#) [1410964-2](#) [1410326-3](#) [1410367-3](#) [1410971-4](#) [1467833-1](#) [2000877-1](#) [2000878-1](#) [2041314-1](#) [2065387-1](#) [2187307-1](#)
[2187462-1](#) [2226278-6](#) [KA81-07](#) [91290-101LF](#) [1934290-1](#) [2000875-1](#) [2065917-1](#) [2102736-2](#) [FSR-40](#) [2169868-2](#) [2226279-2](#) [22354-8](#) [437-](#)
[5040-000](#) [5-1393565-0](#) [532449-3](#) [532803-2](#) [34745-0001](#) [0740618502](#) [0760151403](#) [0760551105](#) [0760551608](#) [0761451128](#) [0761651124](#)
[0761655108](#) [0761659807](#) [0769853208](#) [0736440217](#) [0758324203](#)