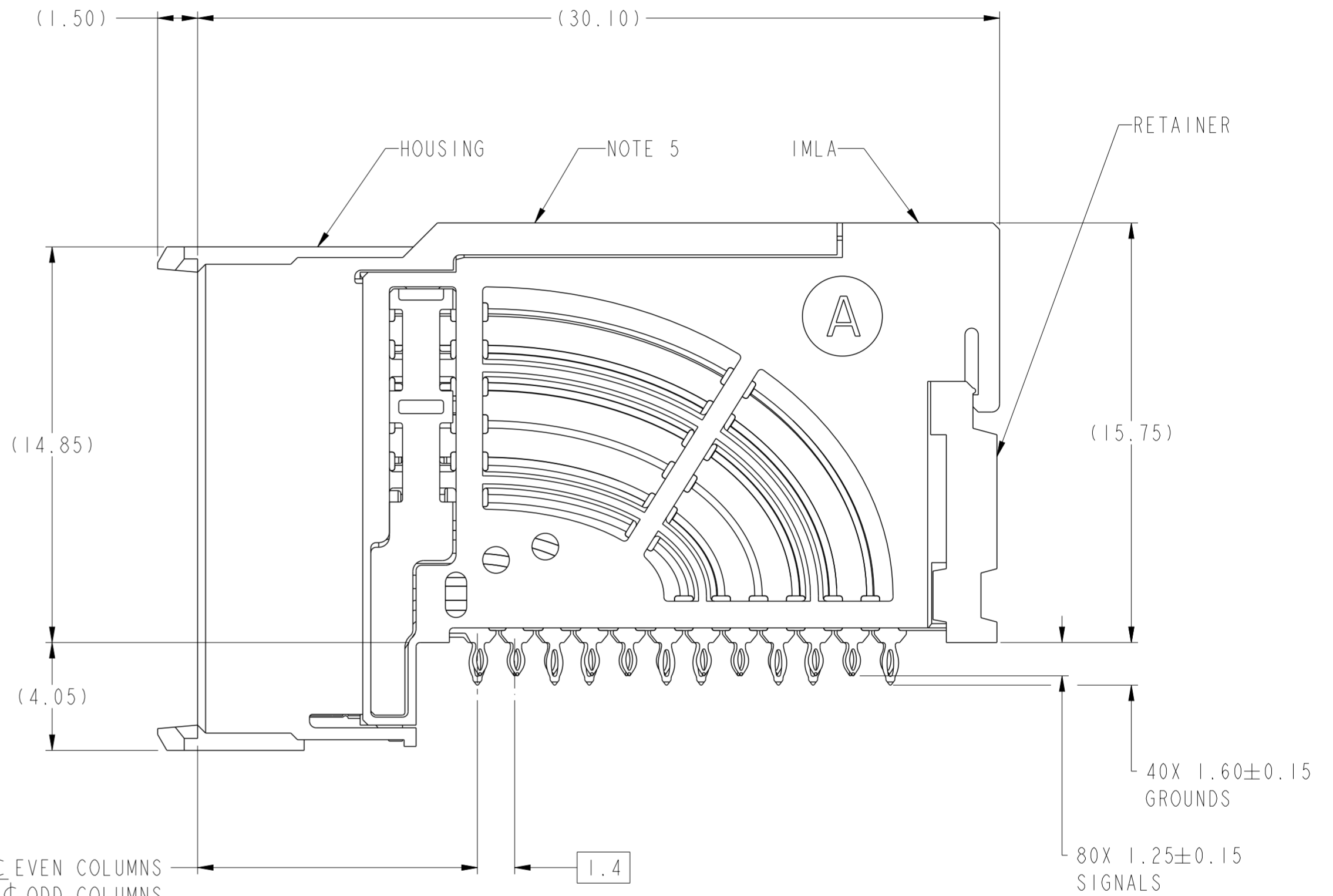
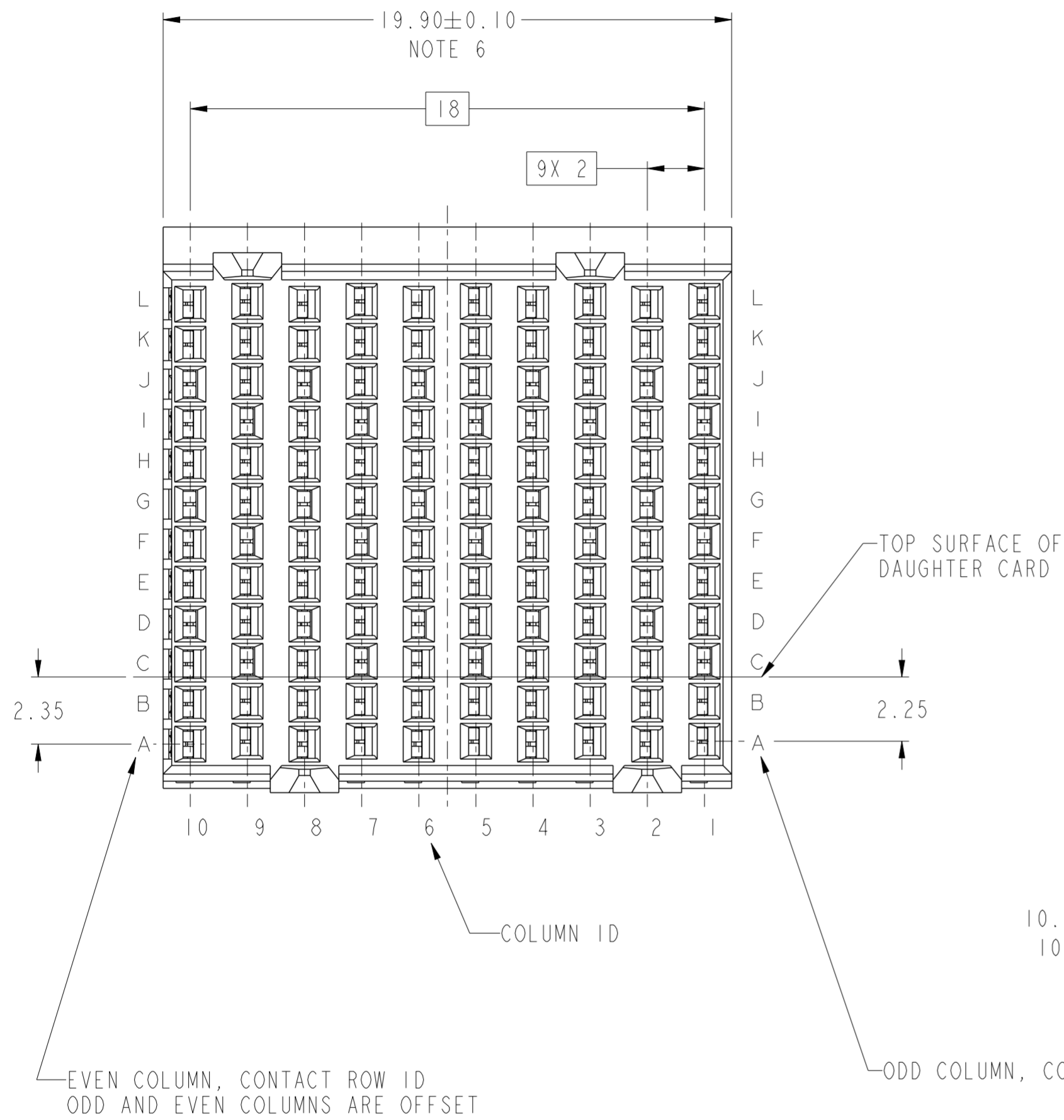
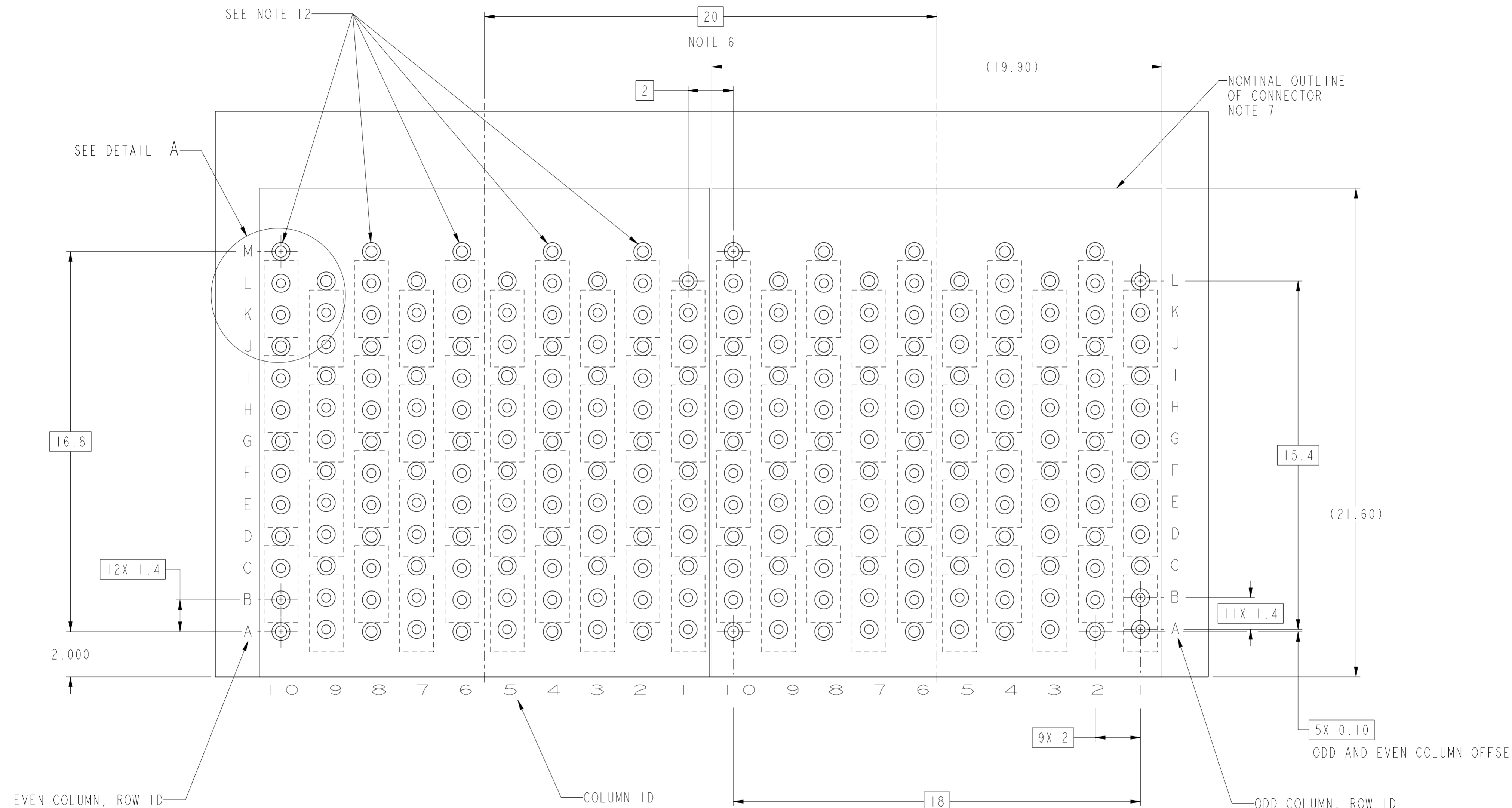


PRODUCT NUMBER
SEE SHEET 3



Copyright FCI.
FCI

| | | | | | | | | | | | | | | | | | | | | | |
|---------------------------------------|--|--------|------------|--|------------|------------------------|--------------|-------------------------------------|-------|-----|-------|-------|---------|----|----|------|-------------|------------|----------------|------------|--|
| spec ref | --- | dr | Stu Stoner | 2010/06/04 | projection | MM | size | A2 | scale | 1:1 | | | | | | | | | | | |
| tolerance std | ASME Y14.5M | eng | Mark Gray | 2012/03/15 | | | ecn no | ELX-V-010779-1 | | | | | | | | | | | | | |
| TOLERANCES UNLESS OTHERWISE SPECIFIED | | chr | - | | | | rel level | Released | | | | | | | | | | | | | |
| surface | <table border="1"> <tr> <td>linear</td> <td>0.X</td> <td>±.3</td> </tr> <tr> <td></td> <td>0.XX</td> <td>±.10</td> </tr> <tr> <td></td> <td>0.XXX</td> <td>±.050</td> </tr> <tr> <td>angular</td> <td>0°</td> <td>±°</td> </tr> </table> | linear | 0.X | ±.3 | | | | 0.XX | ±.10 | | 0.XXX | ±.050 | angular | 0° | ±° | appr | C Pendleton | 2012/03/23 | product family | AirMax VSE | |
| linear | 0.X | ±.3 | | | | | | | | | | | | | | | | | | | |
| | 0.XX | ±.10 | | | | | | | | | | | | | | | | | | | |
| | 0.XXX | ±.050 | | | | | | | | | | | | | | | | | | | |
| angular | 0° | ±° | | | | | | | | | | | | | | | | | | | |
| | | | | title AirMax VSE R.A. RECEPTACLE Ass'y, 4 Pair, 120 pos, 10 IMLA, 20mm | | dwg no 10115015 | rev C | Product - Customer Drw sheet 1 of 3 | | | | | | | | | | | | | |

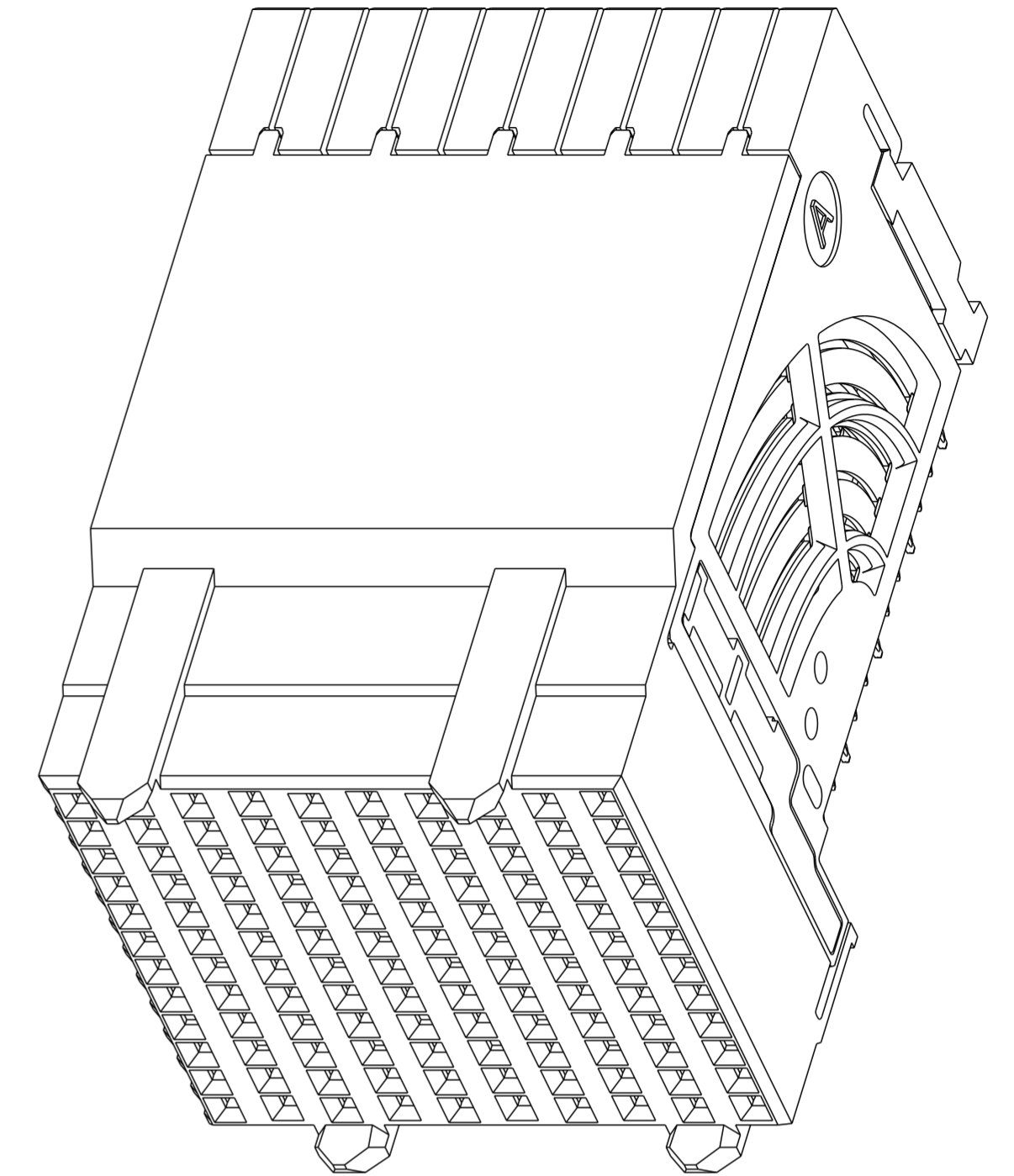


RECOMMENDED PCB LAYOUT
FOR DIFFERENTIAL APPLICATIONS
COMPONENT SIDE
(TWO ADJACENT FOOTPRINTS SHOWN)
NOTES 6, 8, & 11

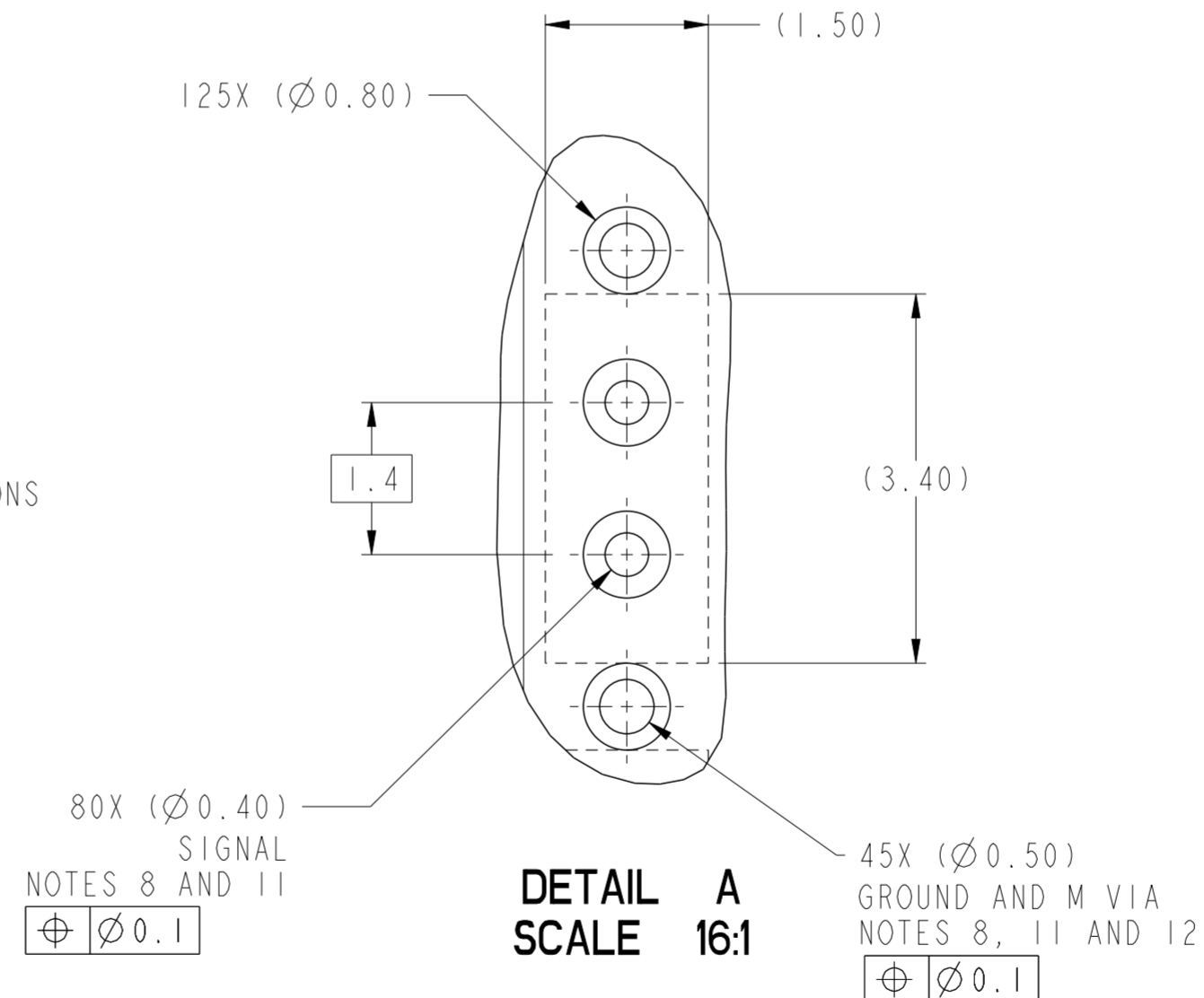
| | | | | | | | | | | |
|---------------------------------------|-------------|---------|------------|------------|---------------------------|----|-------------|----------------------------|----------------|------------|
| spec ref | --- | dr | Stu Stoner | 2010/06/04 | projection | MM | size | A2 | scale | 1:1 |
| tolerance std | ASME Y14.5M | eng | Mark Gray | 2012/03/15 | | | ecn no | ELX-V-010779-1 | | |
| TOLERANCES UNLESS OTHERWISE SPECIFIED | | chr | - | appr | | | C.Pendleton | 2012/03/23 | product family | AirMax VSE |
| surface | ✓ | linear | 0.X | ±.3 | | | rel level | Released | | |
| | | | 0.XX | ±.10 | FCI www.fci.com | | title | AirMax VSE R.A. RECEPTACLE | | |
| | | | 0.XXX | ±.050 | cat. no. | | dwg no | 10115015 | | |
| | | angular | 0° | ±° | Product - Customer Drw | | rev | C | | |

| PRODUCT NUMBER | PRESS-FIT TAIL PLATING TYPE |
|----------------|-----------------------------|
| 10115015-101 | TIN/LEAD ALLOY OVER NICKEL |
| 10115015-101LF | TIN OVER NICKEL (LEAD FREE) |

- 1 - CONNECTOR MATERIALS:
HOUSING: HIGH TEMP THERMOPLASTIC, NATURAL, UL94-V0
IMLA PLASTIC: HIGH TEMP THERMOPLASTIC, BLACK, UL94-V0
CONTACT: COPPER ALLOY
ORGANIZER: HIGH TEMP THERMOPLASTIC, NATURAL, UL94-V0
- 2 - CONTACT PLATING:
SEPARABLE INTERFACE:
PERFORMANCE-BASED PLATING, QUALIFIED TO MEET THE REQUIREMENTS OF FCI PRODUCT SPECIFICATION GS-12-XXX INCLUDING TELCORDIA GR-1217-CORE (NOVEMBER 1995) CENTRAL OFFICE TEST SEQUENCE
- PRESS-FIT TAILS: SEE TABLE
- 3 - PRODUCT SPECIFICATION: GS-12-0956
- 4 - APPLICATION SPECIFICATION: GS-20-0305
- 5 - PRODUCT MARKING, (PART NUMBER & LOT CODE), ON THIS SURFACE.
- 6 - THE MINIMUM CENTERLINE SPACING BETWEEN ADJACENT MODULES IS 20.0 MM.
- 7 - CONNECTOR OUTLINE MAY BE SCREEN PRINTED ONTO CUSTOMER PCB TO BE USED AS A GUIDE FOR MANUAL CONNECTOR PLACEMENT.
- 8 - REFER TO CUSTOMER DRAWING 10104444 FOR INFORMATION ON PCB HOLE DIAMETERS AND PLATING OPTIONS
- 9 - LEAD FREE PRODUCT MEETS THE EUROPEAN UNION DIRECTIVES & OTHER COUNTRY REGULATIONS AS DESCRIBED IN GS-22-008
- 10 - PACKAGING MEETS GS-14-920 LEAD FREE LABELING SPECIFICATION.
- 11 - GROUND CONTACTS (C,F,I AND L IN ODD COLUMNS AND A, D, G AND J IN EVEN COLUMNS) REQUIRE (Ø0.500) FINISHED HOLES. SIGNAL LOCATIONS REQUIRE (Ø0.400) FINISHED HOLES.
- 12 - THESE OUTER VIAS (M) ARE OPTIONAL. WHILE NO CONNECTOR EONS ARE PRESSED INTO THESE HOLES WE RECOMMEND (Ø 0.500) FINISHED HOLES AT THESE LOCATIONS TO PROVIDE GROUND SYMMETRY THROUGH THE PCB.



10115015-101 OR -101LF



| | | | | | | | | | | | |
|---------------------------------------|-------------|--------|-------------|------------|------------------------|-------|----------------------------|----------------|----------|-----|---|
| spec ref | --- | dr | Stu Stoner | 2010/06/04 | projection | MM | size | A2 | scale | 4:1 | |
| tolerance std | ASME Y14.5M | eng | Mark Gray | 2012/03/15 | chr | - | ecn no | ELX-V-010779-1 | | | |
| TOLERANCES UNLESS OTHERWISE SPECIFIED | | appr | C.Pendleton | 2012/03/23 | product family | | rel level | Released | | | |
| surface | ✓ | linear | 0.X | ±.3 | FCI | title | AirMax VSE R.A. RECEPTACLE | dwg no | 10115015 | rev | C |
| | | | 0.XX | ±.10 | | | | | | | |
| | | | 0.XXX | ±.050 | | | | | | | |
| angular | 0° | ±° | www.fci.com | cat. no. | Product - Customer Drw | | sheet 3 of 3 | | | | |

X-ON Electronics

Largest Supplier of Electrical and Electronic Components

Click to view similar products for [amphenol manufacturer](#):

Other Similar products are found below :

[CTV06RGQF-17-52P](#) [CTVPS00RGF-23-6P-LC](#) [GC835TY2S](#) [CF-509621-29P](#) [BF8-1218-31SV-Y70](#) [TVP00RGW-23-6SA\(LC\)](#)
[RNJ27CI1535P014](#) [10-553998-139](#) [21-033388-031](#) [10-507142-843](#) [GTS06G-32-7S](#) [GTC06-36-78PX-023](#) [ACC02E28-51S-003-B30-LC](#)
[TV06RL-13-35SD-LC](#) [TV06RL-13-35SD](#) [TV06RL-13-98SD-LC](#) [TV06RL-13-98SD](#) [GTC08AF32-15SX-B30-LC](#) [GTC06G32-76PZ](#)
[TVP00RW-23-53AD](#) [100-007-213-002-001](#) [5M30-61](#) [FSPP-103-00-004](#) [360031](#) [10-037090-161](#) [10-541504-001](#) [10-580902-409](#) [TV97RW-](#)
[9-9S\(S15\)](#) [TVPS00RGF-9-5P-LC](#) [TVPS00RGF-9-5PA-LC](#) [TVP00RGQW-21-75P-LC](#) [TV06RW-25-90AE](#) [97-3108B16S-5PW-417](#) [PT06J20-](#)
[24SW](#) [97-3108B16S-4PY-417](#) [97-3108B16S-4PX-417](#) [97-3108B16S-5PY-417](#) [97-3108B16S-4PW-417](#) [CS-DSDMDB37MF-025](#) [97-](#)
[3108B16S-5PZ-417](#) [TV06RW-25-46AE](#) [TVS07RF-21-16AA](#) [TVS07RF-21-39BA](#) [60261626SNCOND1](#) [SE00TVW09](#) [CF-5A9013-04N](#) [CF-](#)
[6A4615-06N](#) [GTS01-22-22PX-025-116](#) [GTS01-22-22P-025-116](#) [GTS01-22-22P-116](#)