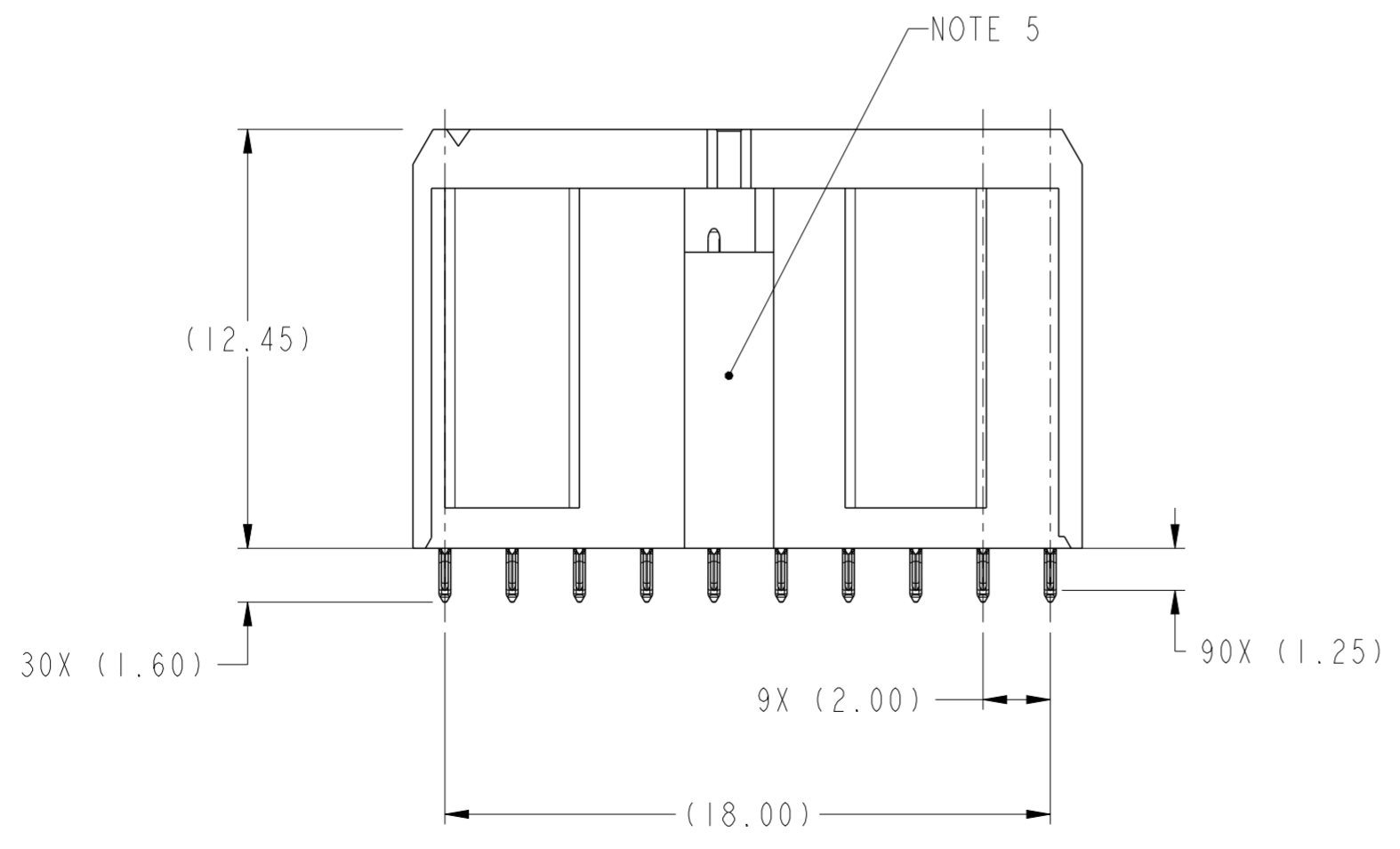
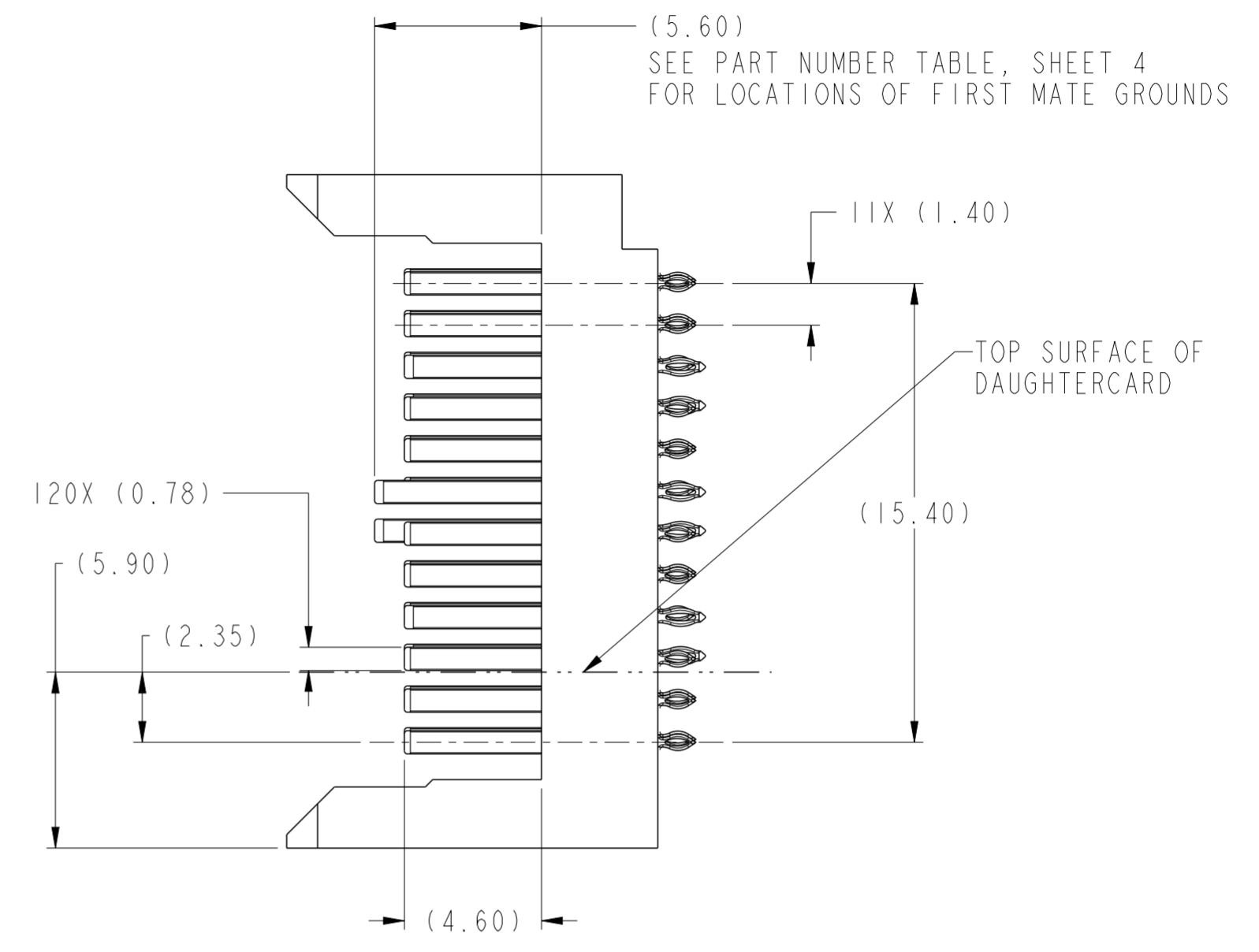
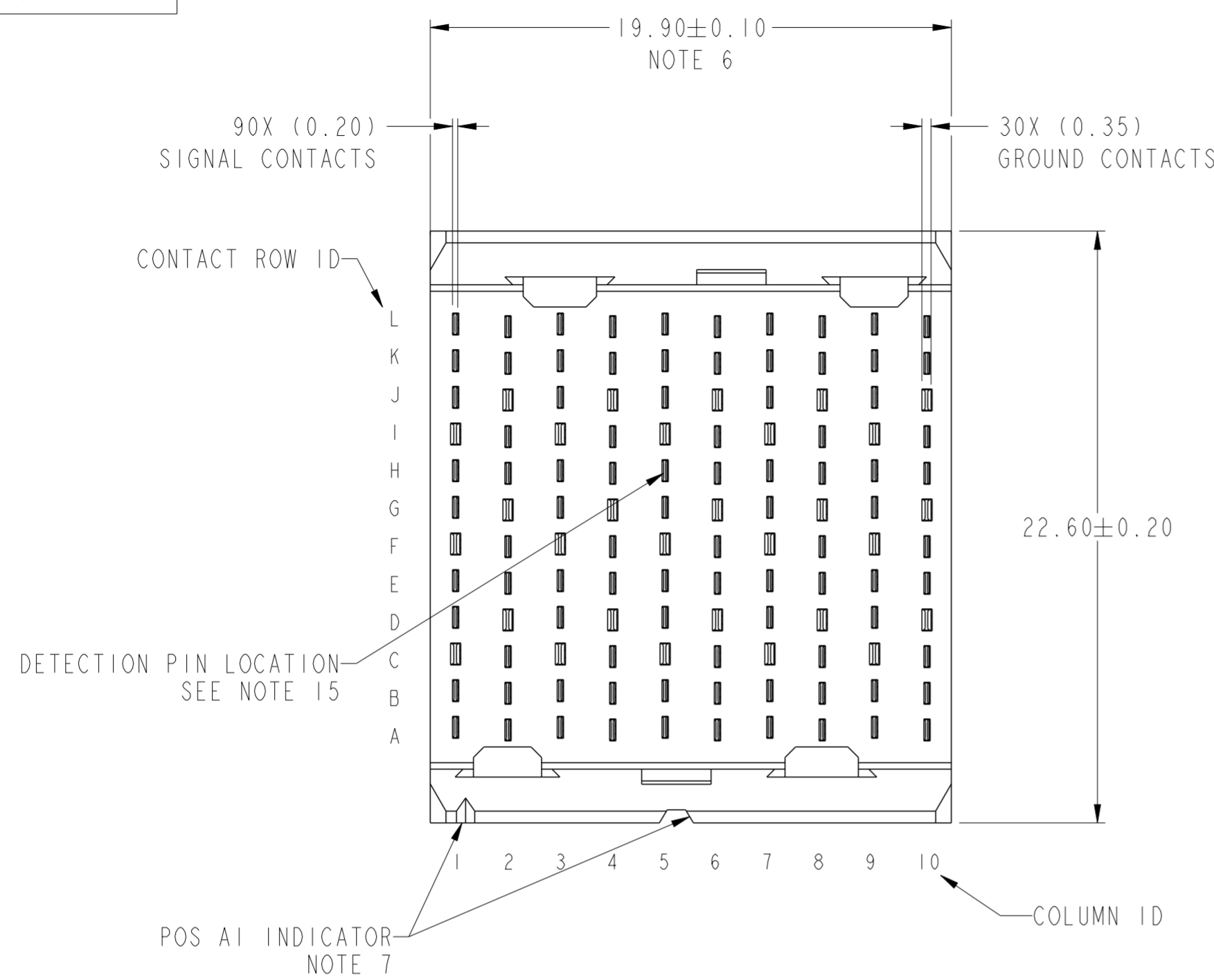


Product number  
SEE TABLE, SHT 4



spec ref	-	dr	Sander Soe	2012/1/15	projection	MM	size	A2	scale	5:1
tolerance std	ASME Y14.5	eng	Tao Zhan	2013/07/30	chr	-	ecn no	-	rel level	Released
TOLERANCES UNLESS OTHERWISE SPECIFIED		appr	Pei-Ming Zheng	2013/07/30	product family	AIRMAX VS	rel level	Released		
surface	✓	linear	0.X	±0.3	0.XX	±0.10	0.XXX	±0.050		
ASME Y14.5	angular	0°	±2°	www.fci.com	cat. no.	-	Product - Customer Drw	sheet 1 of 4	rev	A

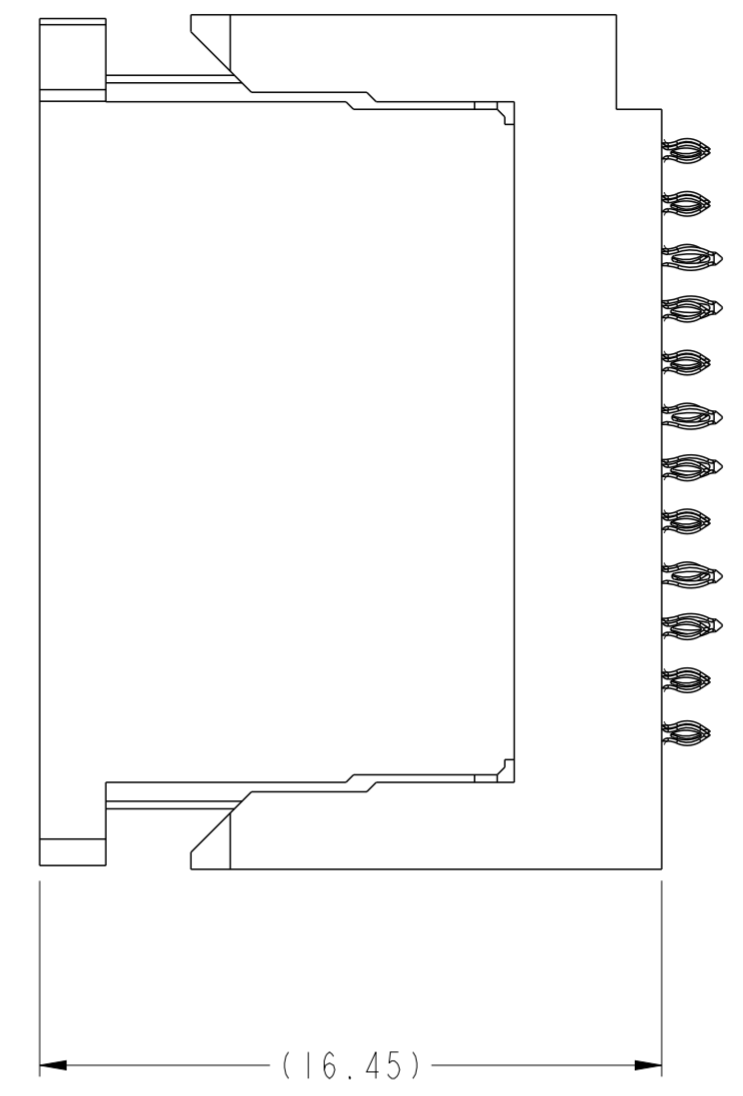
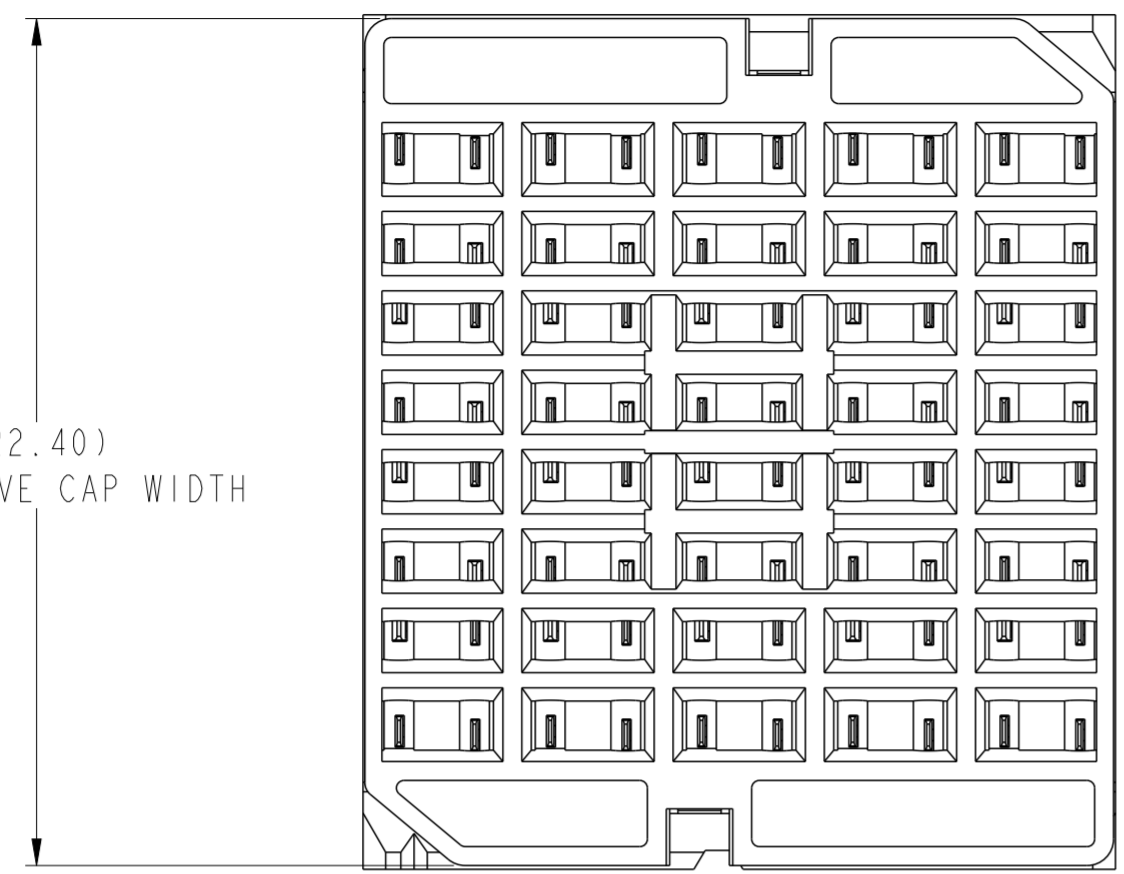
PDS: Rev :A

STATUS:Released

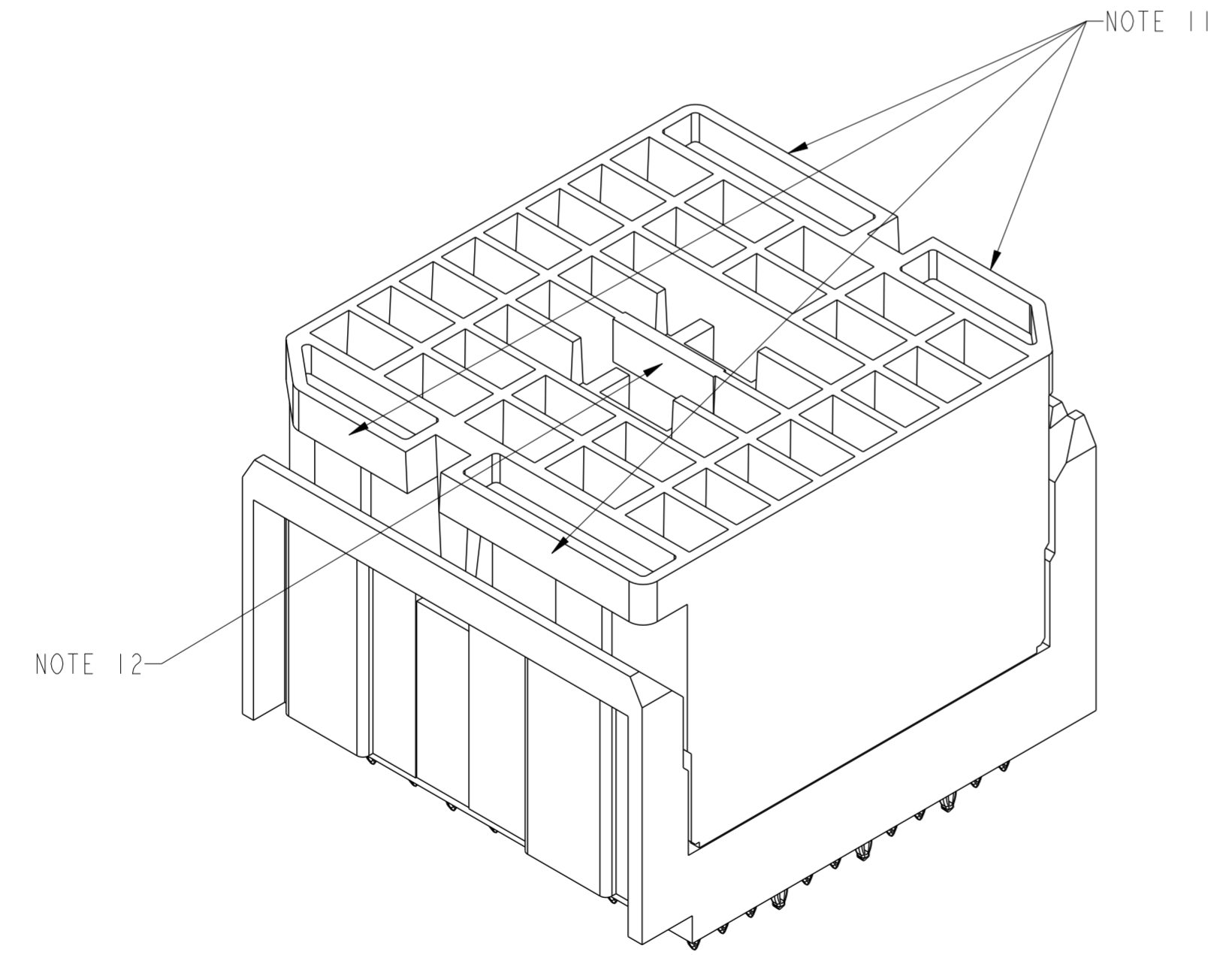
Printed: Jul 30, 2013

Copyright FCI. FCI

(22.40)  
PROTECTIVE CAP WIDTH



VIEWS SHOWN WITH  
PROTECTIVE COVER INSTALLED  
10123359-1011LF & 1021LF



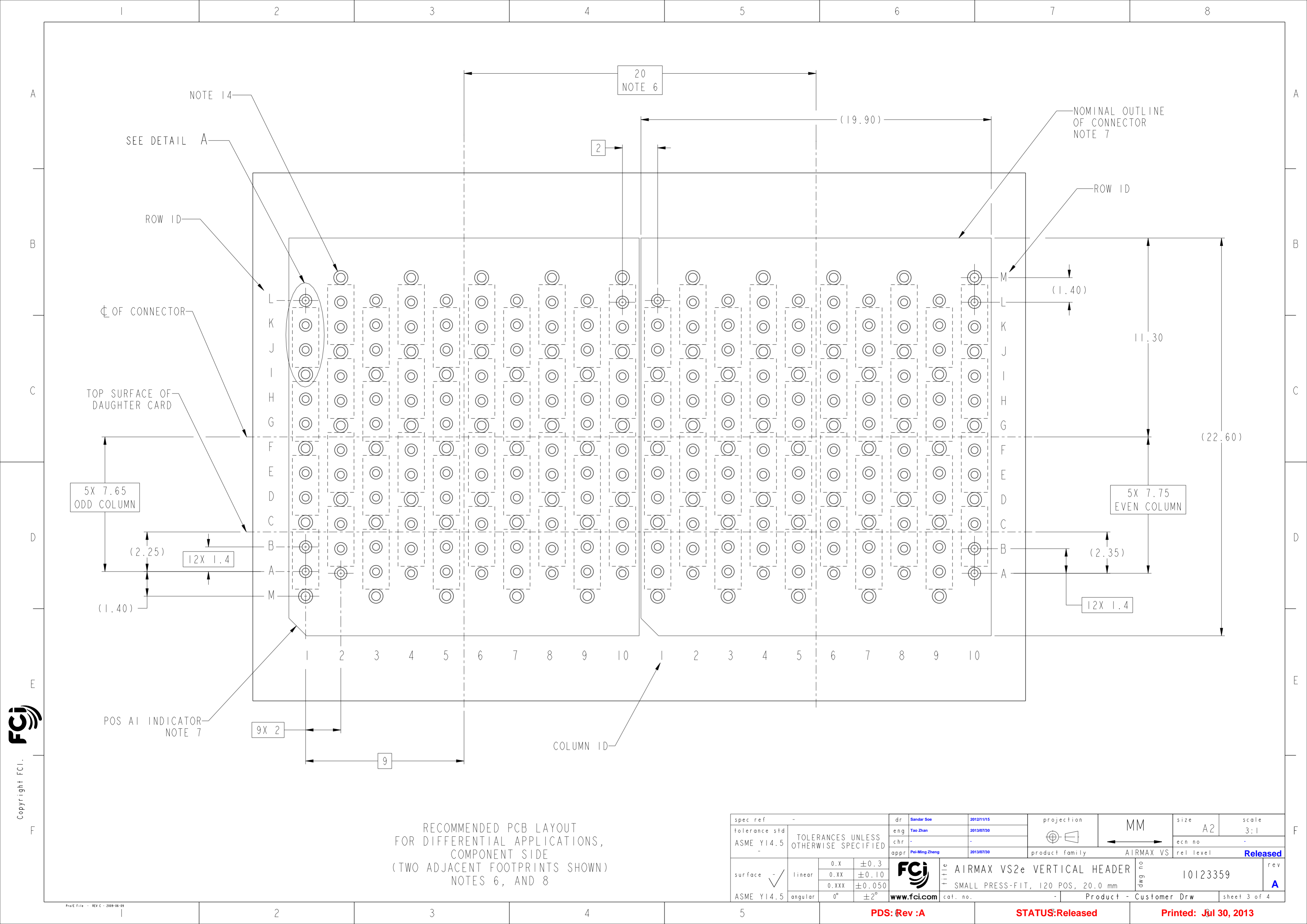
Copyright FCI.  
**FCI**

spec ref	-	dr	Sander Soe	2012/1/15	projection	MM	size	A2	scale	5:1
tolerance std	ASME Y14.5	eng	Tao Zhan	2013/07/30			ecn no	-	rel level	Released
	TOLERANCES UNLESS OTHERWISE SPECIFIED	chr	-	appr			Pei-Ming Zheng	2013/07/30	product family	AIRMAX VS
surface	✓	linear	0.X	±0.3		<b>AIRMAX VS2e VERTICAL HEADER</b> SMALL PRESS-FIT, 120 POS, 20.0 mm	divg no	10123359	rev	A
			0.XX	±0.10			cat. no.	-	Product - Customer Drw	sheet 2 of 4
		angular	0°	±2°						

PDS: Rev :A

STATUS:Released

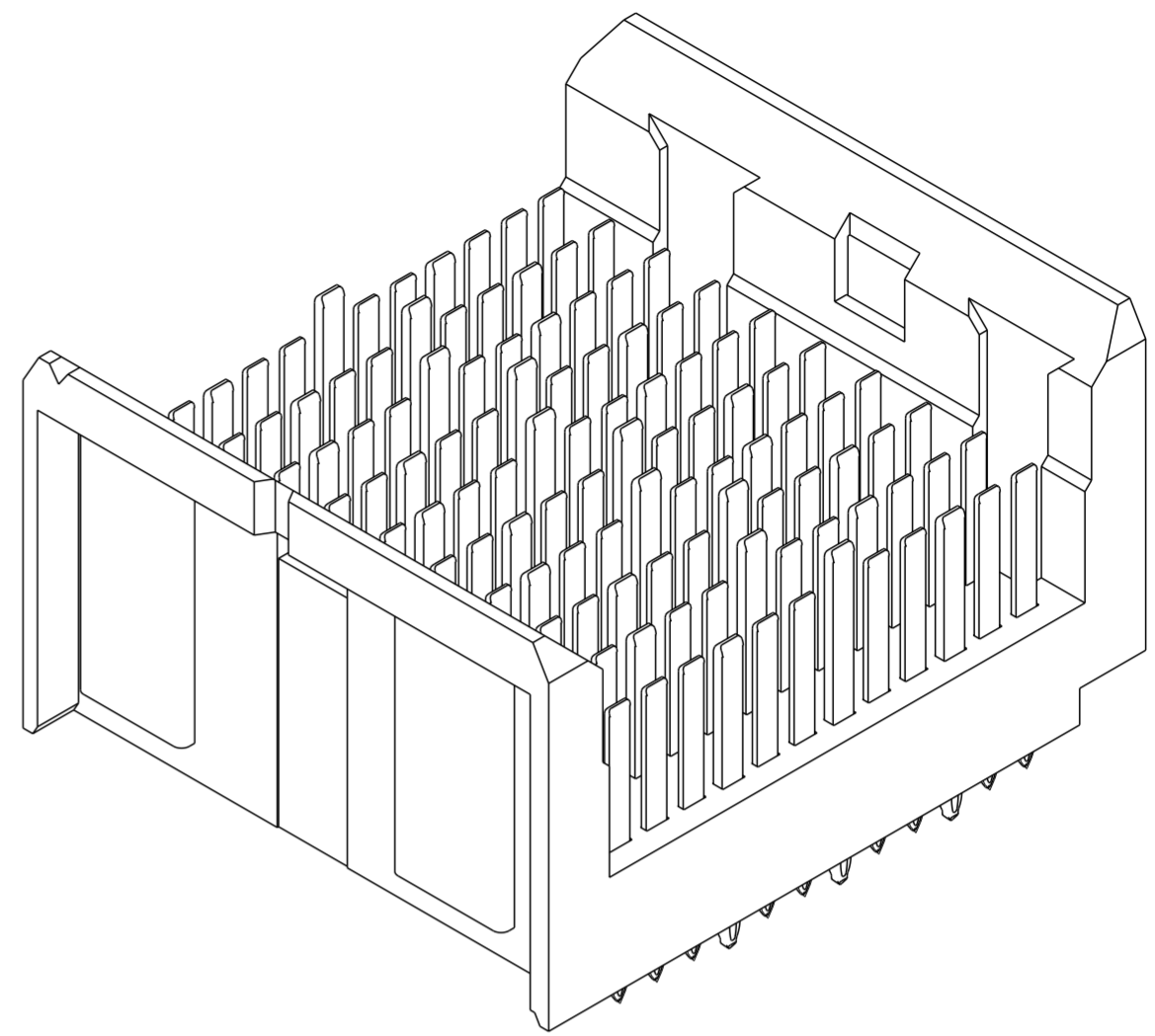
Printed: Jul 30, 2013



RECOMMENDED PCB LAYOUT  
 FOR DIFFERENTIAL APPLICATIONS,  
 COMPONENT SIDE  
 (TWO ADJACENT FOOTPRINTS SHOWN)  
 NOTES 6, AND 8

spec ref	-	dr	Sander Soe	2012/1/15	projection	MM	size	A2	scale	3:1	
tolerance std	ASME Y14.5	eng	Tao Zhan	2013/07/30			ecn no	-	rel level	Released	
	TOLERANCES UNLESS OTHERWISE SPECIFIED	chr	-	appr							Pei-Ming Zheng
surface	✓	linear	0.X	±0.3		TITLE AIRMAX VS2e VERTICAL HEADER SMALL PRESS-FIT, 120 POS, 20.0 mm	dwg no 10123359	rev A	cat. no. -	Product - Customer Drw	sheet 3 of 4
			0.XX	±0.10							
			0.XXX	±0.050							
ASME Y14.5	angular	0°		±2°	www.fci.com						

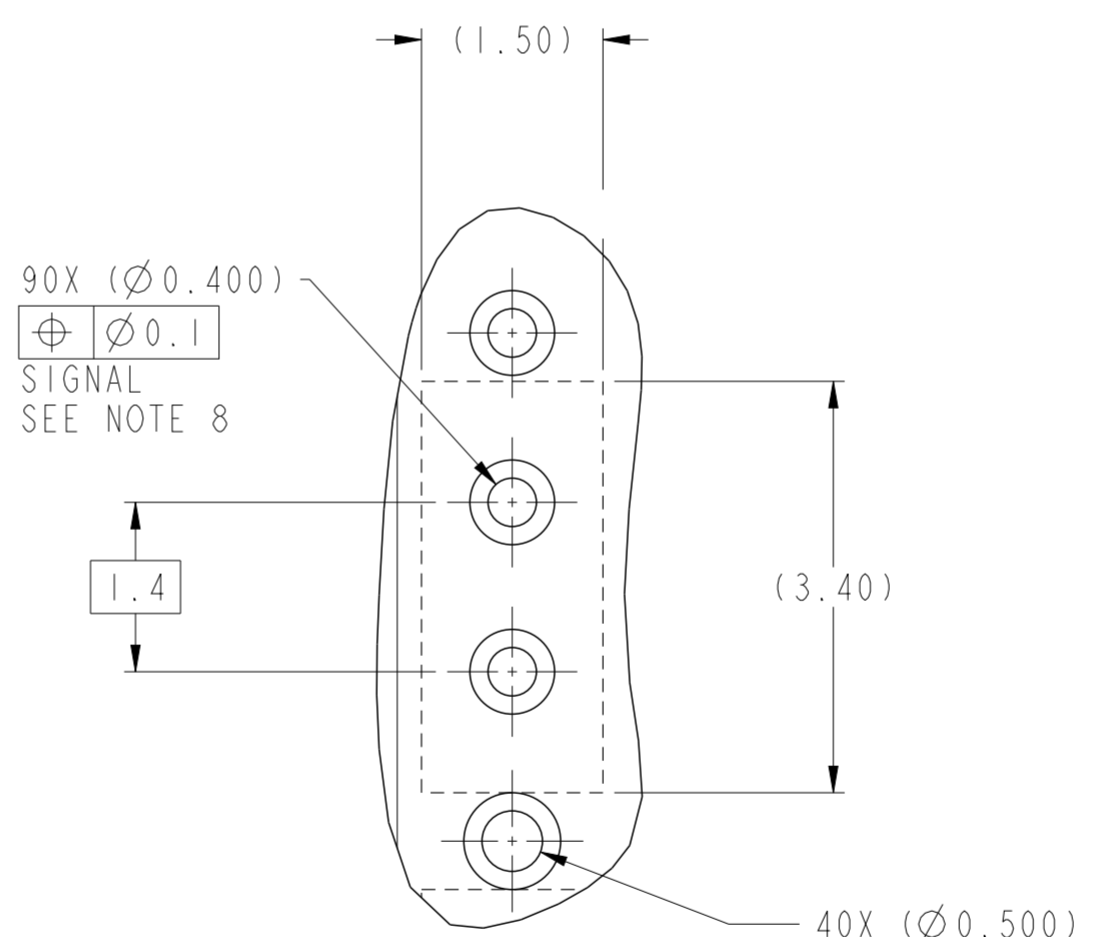
PART NUMBER	PRESS-FIT TAIL PLATING TYPE	PROTECTIVE COVER	DETECTION PIN	LONG GROUND PIN LOCATIONS (5.6MM)	REMARKS
10123359-1010LF	TIN OVER NICKEL (LEAD FREE)	NO	NO	F1, F3, F5, F7, F9, G2, G4, G6, G8, G10	1-SIDED PLATING
10123359-1110LF		NO	YES		
10123359-1011LF		YES	NO		
10123359-1111LF		YES	YES		
10123359-1020LF		NO	NO		2-SIDED PLATING
10123359-1120LF		NO	YES		
10123359-1021LF		YES	NO		
10123359-1121LF		YES	YES		



10123359-1010LF & 1020LF

NOTES:

- CONNECTOR MATERIALS:  
HOUSING: HIGH TEMP THERMOPLASTIC, BLACK, UL94V-0  
CONTACT: COPPER ALLOY
- CONTACT PLATING:  
SEPARABLE INTERFACE: PERFORMANCE-BASED PLATING, QUALIFIED TO MEET THE REQUIREMENTS OF FCI PRODUCT SPECIFICATION GS-12-XXX INCLUDING TELCORDIA GR-1217-CORE (NOVEMBER 1995) CENTRAL OFFICE TEST SEQUENCE  
PRESS-FIT TAILS: SEE TABLE
- PRODUCT SPECIFICATION: GS-12-239.
- APPLICATION SPECIFICATION: GS-20-035.
- PRODUCT MARKING, (PROTOTYPE, PART NUMBER & LOT CODE), ON THIS SURFACE.
- THE MINIMUM CENTERLINE SPACING BETWEEN ADJACENT MODULES IS 20.0 mm.
- CONNECTOR OUTLINE WITH HOUSING POS AI INDICATOR MAY BE SCREEN PRINTED ONTO CUSTOMER PCB TO BE USED AS A GUIDE FOR MANUAL CONNECTOR PLACEMENT.
- REFER TO CUSTOMER DRAWING 10104444 FOR INFORMATION ON PCB HOLE DIAMETERS AND PLATING OPTIONS.
- THIS PRODUCT MEETS EUROPEAN UNION DIRECTIVES AND OTHER COUNTRY REGULATIONS AS DESCRIBED IN GS-22-008.
- PACKAGING MEETS GS-14-920 LEAD FREE LABELING SPECIFICATION.
- FOR REMOVAL OF THE PROTECTIVE CAP BY HAND GRIP USING THESE SURFACES.
- FOR REMOVAL OF THE PROTECTIVE CAP WITH PLIERS GRIP USING THIS FEATURE.
- GROUND VIAS IN POSITIONS C, F, I, & M FOR ODD COLUMNS AND POSITIONS D, G, J, & M FOR EVEN COLUMNS REQUIRE (Ø0.50) FINISHED HOLES. ALL OTHER VIAS REQUIRE (Ø0.40) FINISHED HOLES.
- THE OUTER VIAS IN COLUMN M ARE OPTIONAL. IF ADDED THESE HOLES PROVIDE GROUND SYMMETRY THROUGH THE PCB. NO CONNECTOR EONS WILL BE PRESSED INTO THESE HOLES.
- MATING PIN H5 IS 0.5mm LESS WIPE NOMINAL THAN THE SHORTEST PIN.



DETAIL A  
SCALE 16:1

spec ref	-	dr	Sander Soe	2012/1/15	projection	MM	size	A2	scale	5:1
tolerance std	ASME Y14.5	eng	Tao Zhan	2013/07/30	chr	-	ecn no	-	rel level	Released
TOLERANCES UNLESS OTHERWISE SPECIFIED		appr	Pei-Ming Zheng	2013/07/30	product family	AIRMAX VS	cat. no.	10123359	rev	A
surface	linear	0.X	±0.3	www.fci.com	title		AIRMAX VS2e VERTICAL HEADER		Product - Customer Drw	
		0.XX	±0.10		SMALL PRESS-FIT, 120 POS, 20.0 mm		sheet 4 of 4			
		0.XXX	±0.050							
ASME Y14.5	angular	0°	±2°							

## X-ON Electronics

Largest Supplier of Electrical and Electronic Components

*Click to view similar products for [High Speed/Modular Connectors](#) category:*

*Click to view products by [Amphenol](#) manufacturer:*

Other Similar products are found below :

[2332816-1](#) [89006-1137LF](#) [650827-1](#) [65762-001LF](#) [73474-201LF](#) [74040-1346](#) [74075-0267](#) [88911-201LF](#) [9514M0C20D](#) [1410191-1](#)  
[1410337-1](#) [1410368-3](#) [1410964-2](#) [1410326-3](#) [1410367-3](#) [1410971-4](#) [1467833-1](#) [2000877-1](#) [2000878-1](#) [2041314-1](#) [2065387-1](#) [2187307-1](#)  
[2187462-1](#) [2226278-6](#) [KA81-07](#) [91290-101LF](#) [1934290-1](#) [2000875-1](#) [2065917-1](#) [2102736-2](#) [FSR-40](#) [2169868-2](#) [2226279-2](#) [22354-8](#) [437-](#)  
[5040-000](#) [5-1393565-0](#) [532449-3](#) [532803-2](#) [34745-0001](#) [0740618502](#) [0760151403](#) [0760551105](#) [0760551608](#) [0761451128](#) [0761651124](#)  
[0761655108](#) [0761659807](#) [0769853208](#) [0736440217](#) [0758324203](#)