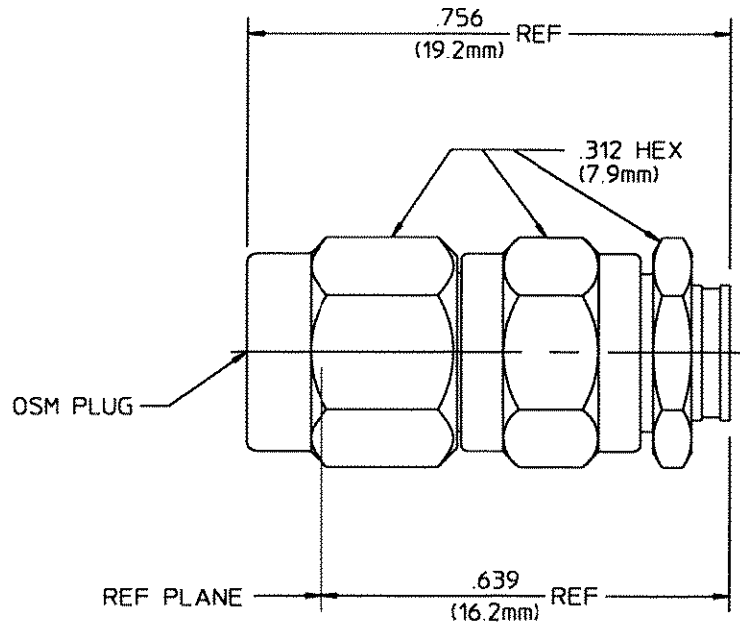


REVISIONS			
REV	DESCRIPTION	DATE	APPROVED
01 <sub>0</sub>	RELEASED	2/22/89	<i>[Signature]</i>



HOUSING	STAINLESS STEEL PER ASTM-A484 AND ASTM-A582, TYPE 303	PASSIVATE PER 00-P-35
COUPLING NUT		
CLAMP NUT		
DIELECTRIC	TFE FLUOROCARBON PER MIL-P-19468 AND FED SPEC L-P-403	N/A
CENTER CONTACT	BERYLLIUM COPPER PER 00-C-530, ALLOY 173	GOLD PLATE PER MIL-G-45204 OVER COPPER PLATE PER MIL-C-14550
SLEEVE	BRASS PER 00-B-626, COMP. 360	GOLD PLATE PER MIL-G-45204 OVER COPPER PLATE PER MIL-C-14550
GASKET	SILICONE RUBBER PER ZZ-R-765	N/A
RETAINING RING	BERYLLIUM COPPER PER 00-C-533	N/A
COMPONENT	MATERIAL	FINISH

NOTES:

- DESIGNED FOR USE WITH .141 SEMI-RIGID CABLE
- CAPTURED CENTER CONTACT

CABLE ENTRY DIAMETER MINIMUM	
SLEEVE	.145
CONTACT	.041

UNLESS OTHERWISE SPECIFIED DIMENSIONS ARE IN INCHES TOLERANCE ON

FRAC.	DEC.	ANGLES
±.125	±.005	±.1°

These drawings and specifications are the property of Omni Spectra incorporated and shall not be reproduced or copied or used in whole or in part as the basis for the manufacture or sale of items without written permission.

DRAWN BY <b>E. HOYLE</b>	DATE <b>1/24/89</b>
DESIGNED BY <b>L. CROSS</b>	DATE <b>2/10/89</b>
APPROVED BY <i>[Signature]</i>	DATE <b>2/22/89</b>
USE ASSY PROCEDURE	
NO. A.P. <u>20-546</u>	

**Omni Spectra** Omni Spectra, Inc. Microwave Connector Division

TITLE SMA STRAIGHT CABLE PLUG SOLDER CLAMP ATTACHMENT M39012/79-3108 CAT E.

SIZE <b>B</b>	CODE IDENT NO. <b>26805</b>	<b>2001-8108-92</b>	REV <b>01<sub>0</sub></b>
SCALE <b>5:1</b>			SHEET <b>1</b> OF <b>1</b>

CUSTOMER 1050790  
SHEET 1 OF 1  
REV 0

## X-ON Electronics

Largest Supplier of Electrical and Electronic Components

*Click to view similar products for [RF Connectors / Coaxial Connectors](#) category:*

*Click to view products by [TE Connectivity](#) manufacturer:*

Other Similar products are found below :

[R125315120](#) [8915-1511-000](#) [89674-0827](#) [5916-1103-603](#) [0106-001-000](#) [6-0001-3](#) [6001-7071-019](#) [6002-7051-003](#) [6002-7551-202](#) [6059674-1](#) [619550-1](#) [630059-000](#) [M39012/25-0021](#) [M39012/79-3008](#) [M39030/3-01N](#) [M39030/3-03N](#) [M3933/25-29N](#) [M3933/25-36N](#) [6500-7071-046](#) [6501-1071-002](#) [M83723/72W24576](#) [M83723/72W2457N](#) [6769](#) [CX050L2AQ](#) [7002-1541-010](#) [7002-1572-002](#) [7003-1572-002](#) [7004-1512-000](#) [7009-1511-004](#) [7010-1511-000](#) [7029-1511-060](#) [7101-1541-010](#) [7101-1571-002](#) [7105-1521-002](#) [7145-1521-002](#) [7209-1511-011](#) [7210-1511-012](#) [7210-1511-015](#) [7210-1511-019](#) [7210-1511-040](#) [7225-1512-050](#) [7242-1511-000](#) [73137-5015](#) [73251-0111](#) [73251-0672](#) [73276-1501](#) [73366-0013](#) [73404-2300](#) [73413-6080](#) [734151610](#)