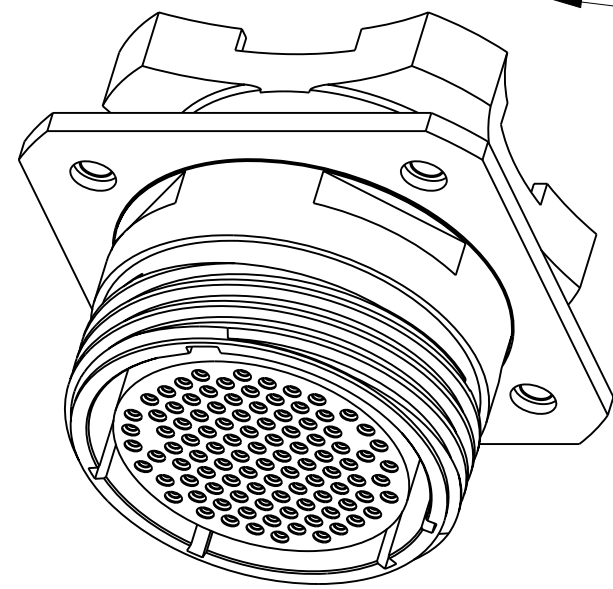
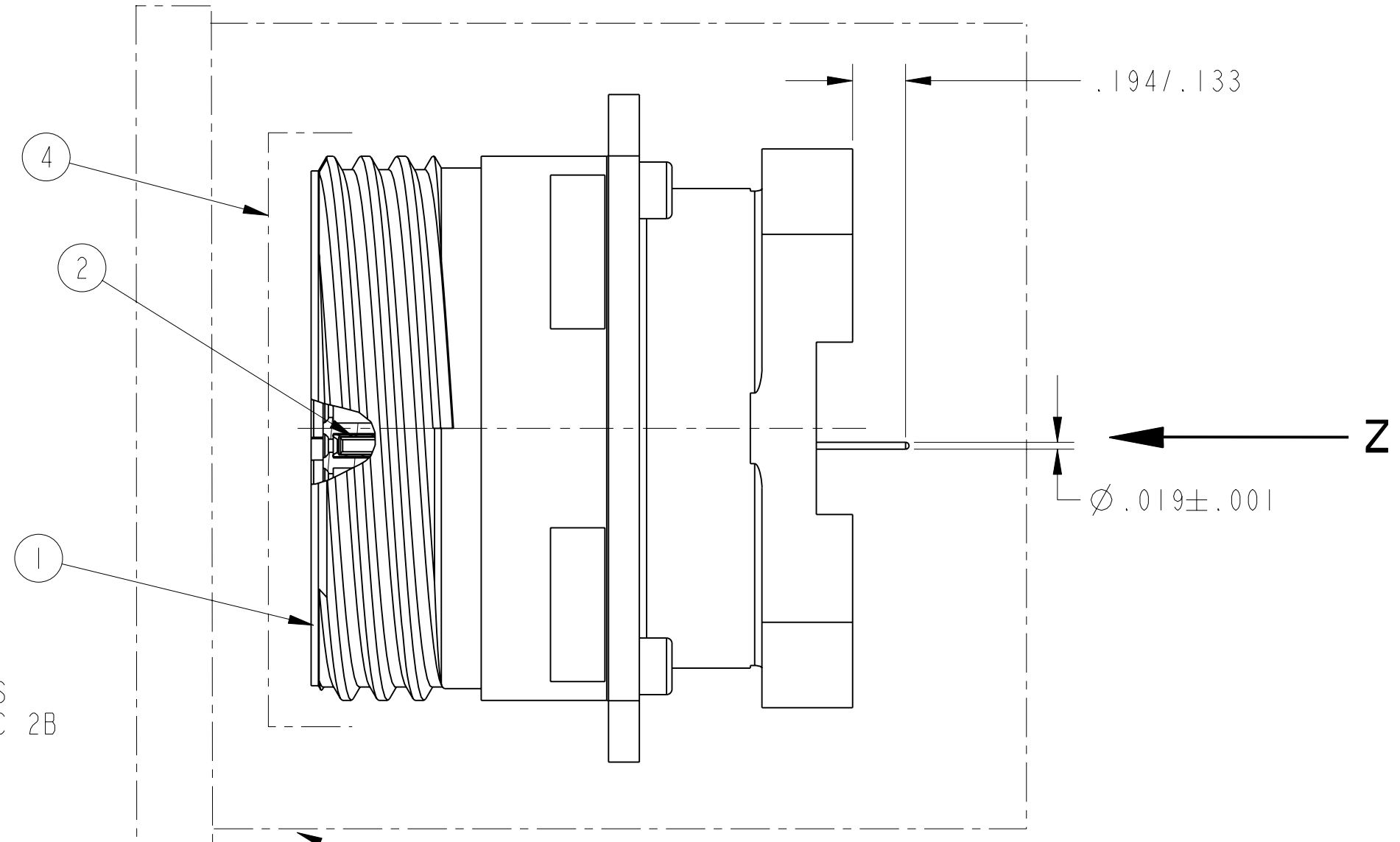
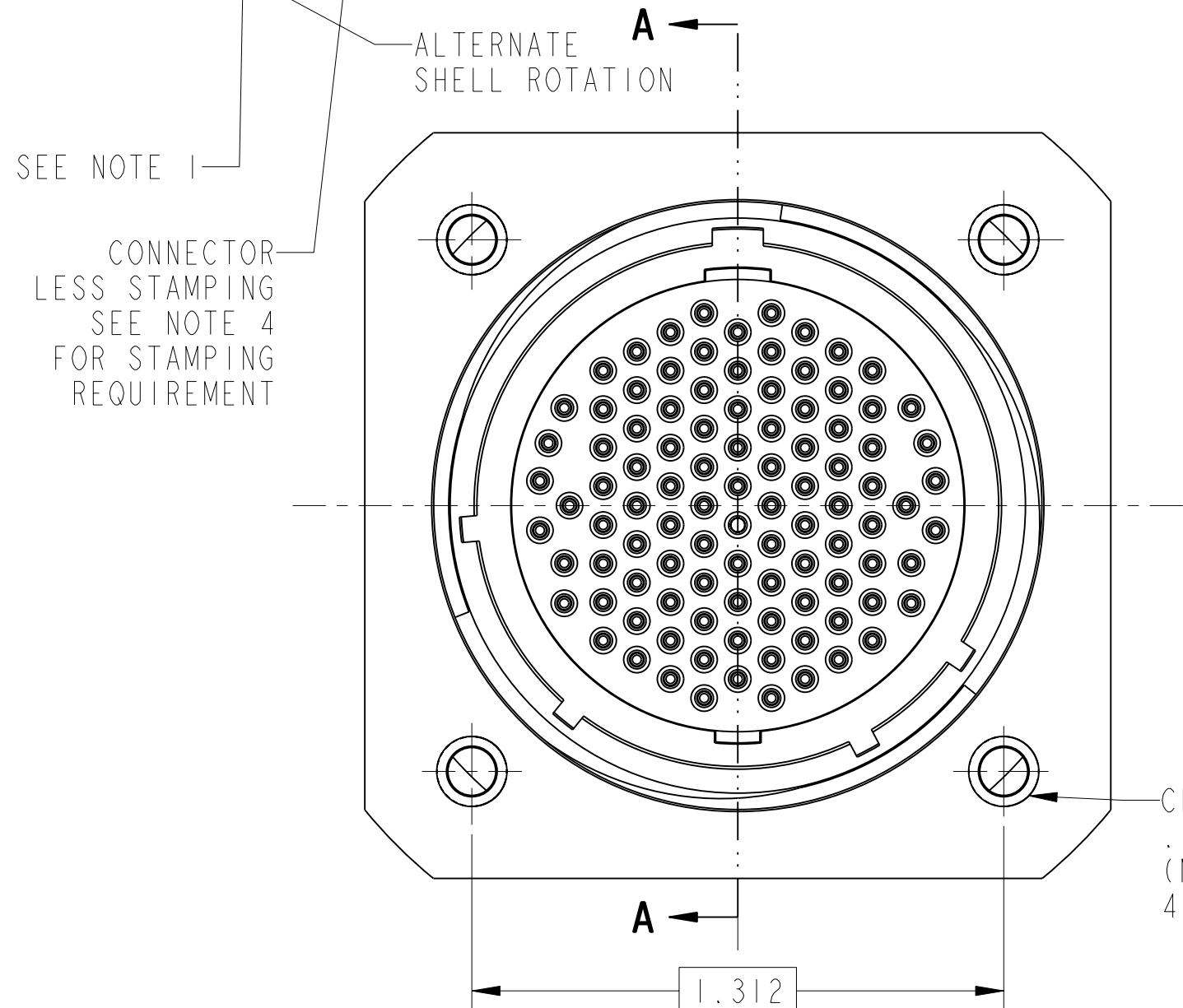


|           |              |                            |
|-----------|--------------|----------------------------|
| REV. A    | SHEET 1 OF 2 | DOCUMENT NO. 10-629549-258 |
| REVISIONS |              |                            |
| LTR       | DESCRIPTION  | DATE                       |
| A         | INITIAL      |                            |

| KIT PART NUMBER | KIT TYPE | CONNECTOR PART NUMBER | PCB CONTACT PART NUMBER | QTY. | TV REF NUMBER       | CAP/CONTAINER                  |
|-----------------|----------|-----------------------|-------------------------|------|---------------------|--------------------------------|
| 10-629549-258N  | II       | 88-660638-35S         | 10-497623-535           | 100  | TVP02RW-23-35S (LC) | 10-576238-002<br>10-576237-002 |
| 10-629549-258A  |          | 88-660638-35H         |                         |      | TVP02RW-23-35SA(LC) |                                |
| 10-629549-258B  |          | 88-660638-35J         |                         |      | TVP02RW-23-35SB(LC) |                                |
| 10-629549-258C  |          | 88-660638-35L         |                         |      | TVP02RW-23-35SC(LC) |                                |
| 10-629549-258D  |          | 88-660638-35N         |                         |      | TVP02RW-23-35SD(LC) |                                |
| 10-629549-258E  |          | 88-660638-35T         |                         |      | TVP02RW-23-35SE(LC) |                                |

FOR UNIT ILLUSTRATION AND DIMENSIONAL DATA SEE 88-660630/639



CLINCH NUTS  
.112-40 UNC 2B  
(M45938/7)  
4 PLACES

SECTION A-A

5. AFTER CONTACTS HAVE BEEN INSTALLED, PLACE CONNECTOR INTO CONTAINER AND CAP. TO INSURE CAP LOCATION APPLY TAPE IF NEEDED. CARE MUST BE TAKEN NOT TO BEND THE CONTACTS.
4. STAMP "AMPHENOL", PART NUMBER, LOT NUMBER, AND DATE CODE (9-3895), PER 9-5788  
EXAMPLE:  
AMPHENOL 10-660638-258B 13001000 1327
3. PROCESS SPEC:  
9-3895, 9-5788  
SPECIAL CONTROL 9-6000-5  
PROCESS CONTROL 9-4796
2. PACKAGE PER PRODUCTION PROCESS SHEET.

NOTES:  
1. KIT TYPE I CONTACTS SHIPPED UNASSEMBLED.  
KIT TYPE II CONTACTS SHIPPED ASSEMBLED IN CONNECTOR.

THE USE OF THIS DOCUMENT IS UNLIMITED. HOWEVER, DOCUMENTS REFERENCED HEREON MAY CONTAIN LIMITED RIGHTS DATA.

| POS | QTY | PART NUMBER   | DESCRIPTION          | NOTE |
|-----|-----|---------------|----------------------|------|
| 4   | 1   | 10-070500-024 | FRONT PROTECTION CAP |      |
| 3   | 1   | SEE COLUMN    | CAP/CONTAINER        | 5    |
| 2   |     | SEE COLUMN    | CONTACT              |      |
| 1   | 1   | SEE COLUMN    | CONNECTOR            |      |

UNLESS OTHERWISE SPECIFIED  
SPECIFICATIONS

LINEAR DIMENSIONS ARE IN INCHES  
TOLERANCES:  
.XXXX = ±.0005 ANGLES = ±2°  
.XXX = ±.010  
.XX = ±.03  
.X = ±.1

DIM. & TOL. PER ASME Y14.5M;  
DRM PER MIL-DTL-31000;  
OTHER Amphenol Stds. PER 9-3800

LEGENDS:  
= FLAG NOTE CALL OUT REFERENCE ONLY

MATERIAL SPEC. N/A

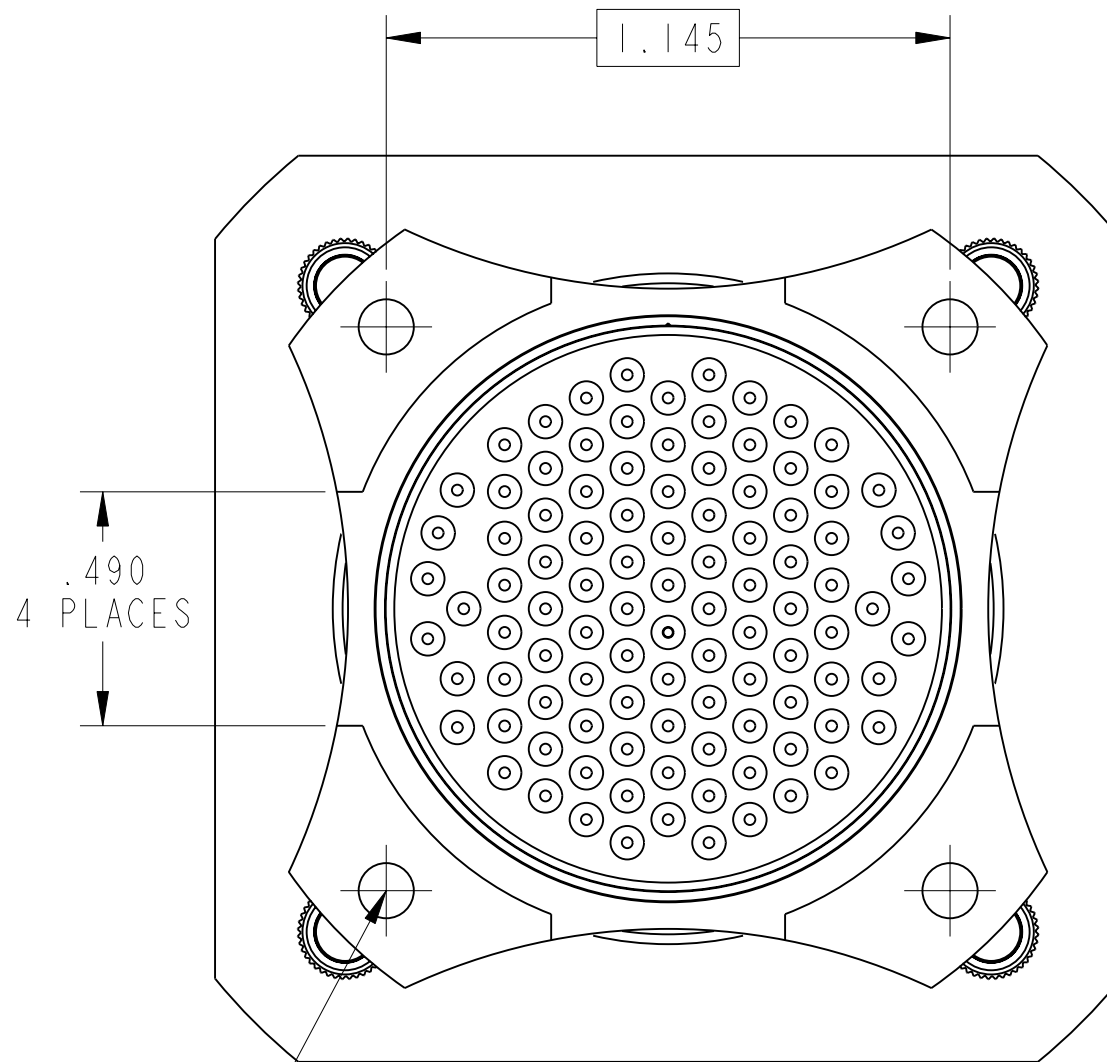
PROCESS SPEC. SEE NOTE 3

|                               |           |
|-------------------------------|-----------|
| APPROVALS                     | DATE      |
| PREPARED BY M. SIMONDS        | 27-Jun-13 |
| ENGINEER IN CHARGE D. FREAR   |           |
| DESIGN MANAGER E. SHEPLER     |           |
| DESIGN ACTIVITY GROUP MILAERO |           |
| THIRD ANGLE PROJECTION        |           |

|  |                 |                            |              |
|--|-----------------|----------------------------|--------------|
| PARTS LIST   |                 |                            |              |
| AMPHENOL CORPORATION<br>40-60 DELAWARE AVENUE<br>SIDNEY, N.Y. 13838            |                 |                            |              |
| KIT, CONNECTOR, RCPT.,<br>TYPE TVP02RW-23-35S( ),<br>CLINCH NUT/HELICAL INSERT |                 |                            |              |
| SIZE C   | CAGE CODE 77820 | DOCUMENT NO. 10-629549-258 | REV. A       |
| SCALE: 4.0   |                 | REF: 88-660930/939         | SHEET 1 OF 2 |

10-629549-258 DOCUMENT NO. SHEET 1 OF 2 REV. A

10-629549-258 DOCUMENT NO. SHEET 1 OF 2 REV. A



HELICAL INSERT  
 .112-40 UNC-2B  
 (NAS1130-04L15D)  
 4 PLACES

VIEW AT Z

NOTES: SEE SHEET 1

THE USE OF THIS DOCUMENT IS UNLIMITED.  
 HOWEVER, DOCUMENTS REFERENCED HEREON  
 MAY CONTAIN LIMITED RIGHTS DATA.



|                  |                           |                                      |                  |
|------------------|---------------------------|--------------------------------------|------------------|
| SIZE<br><b>C</b> | CAGE CODE<br><b>77820</b> | DOCUMENT NO.<br><b>10-629549-258</b> | REV.<br><b>A</b> |
| SCALE: 2.7       |                           | REF: 88-660930/939                   | SHEET 2 OF 2     |

## X-ON Electronics

Largest Supplier of Electrical and Electronic Components

*Click to view similar products for [Memory Card Connectors](#) category:*

*Click to view products by [Amphenol](#) manufacturer:*

Other Similar products are found below :

[M10-597810-355](#) [M21-033321-005](#) [6426-201-21343](#) [69.920.0553.0](#) [MCR60A-98D-2.54DSA\(70\)](#) [FCN-568P068-G/07-4V](#) [809180410000000](#)  
[95622-003LF](#) [AD2-262F-38900-232](#) [DM3AT-SF-PEJM5\(41\)](#) [EN2997S72039F6](#) [N7E50-7516PG-20-WF](#) [IC11S-BUR-PNEJL\(71\)](#) [NX30TA-](#)  
[15PAA\(50\)](#) [21920-5](#) [2041353-2](#) [FUA006-3220-0](#) [308-DS1P0811-192](#) [33CFAE-DN](#) [MI21A-50PD-SF-EJR\(91\)](#) [502431-1011](#) [5175651-2](#) [10-](#)  
[247926-166](#) [10-629549-258N](#) [11327-001](#) [11327-002](#) [EN2997S02039B8](#) [EN2997S61212BN](#) [EN2997S72039B6](#) [EN2997SE02039B8](#)  
[EN2997SE61212BN](#) [EN2997SE72039B6](#) [603020000](#) [617230001](#) [71-252718-32P](#) [NX1-32T-KT3K\(05\)](#) [95622-003LF](#) [91-570124-15P](#)  
[192900-0488](#) [N7E50-U516RB-50-SIN0005](#) [DM1AA-SF-PEJ](#) [95079-00CALF](#) [84648-056HLF](#) [68-580163-21S](#) [33DVIR-29S12R](#)  
[SF58S006VBBR2000](#) [93-570123-08P](#) [GMC020080HR](#) [125A-78C00](#) [1010040575#](#)