

Series 803 Mighty Mouse ¼ Turn Bayonet Coupling Connector Ordering Information

803-003 and 803-004 Crimp Receptacles



In-Line



Jam Nut

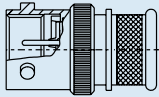
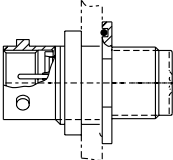

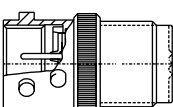


Flange Mount

Push-To-Mate, ¼ Turn to Lock.
 These quick-mating connectors feature bayonet pins on the receptacle. Simply push the connectors together, then rotate the plug coupling nut 90° to lock the connectors together.

Three Shell Mounting Options:
 Jam nut with O-ring for rear panel mounting, elliptical flange for front or rear panel mounting, or in-line receptacles for free-hanging cables.

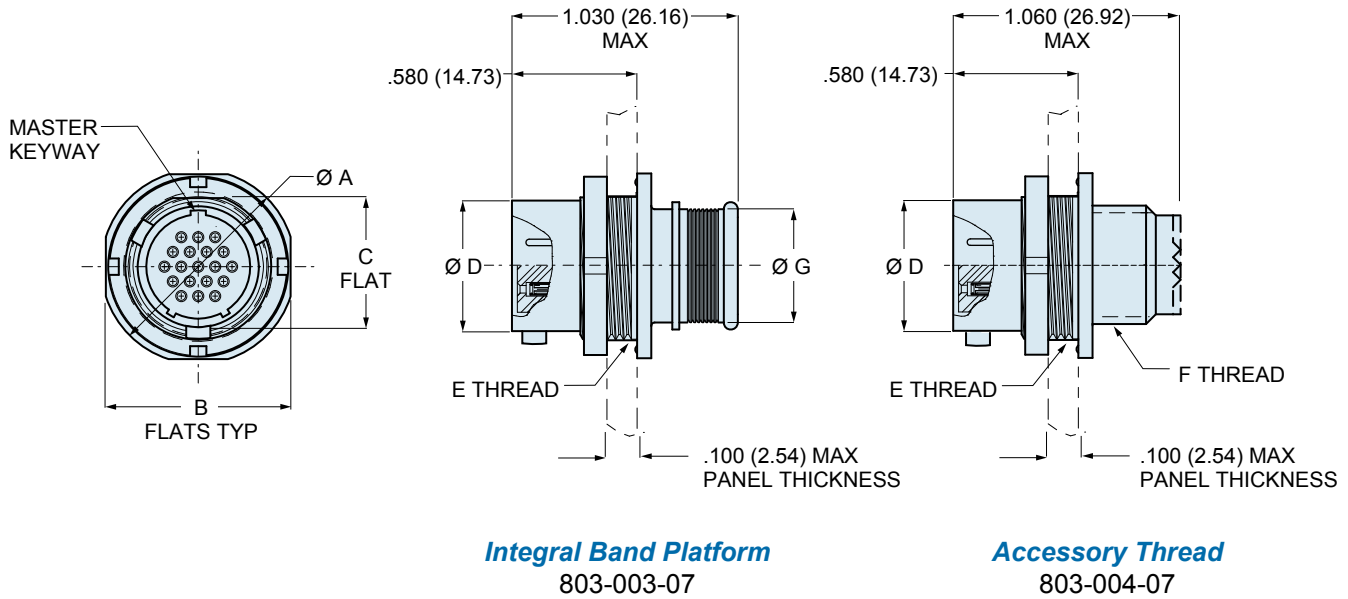
Two Shell Styles: Choose the integral band platform for direct attachment of a cable shield. Install a heat-shrink boot, or overmold directly onto the band platform. An accessory thread is available for attaching strain reliefs and backshells.

| HOW TO ORDER | | | | | |
|--|---|---|---|---|---|
| Sample Part Number | | | | | |
| 803-003 | -07 | NF | 6-7 | S | N |
| Series | Shell Style | Shell Material / Finish | Shell Size- Insert Arrangement | Contact Type | Shell Key Position |
|  <p>803-003 Receptacle with Banding Platform for Direct Attachment of Cable Shield and Overmold</p> |  <p>-07 Jam Nut</p>  <p>-02 Flange Mount</p>  <p>-01 In-Line</p> | <p>C Aluminum / Black Anodize (Non-Conductive) RoHS Compliant</p> <p>M Aluminum / Electroless Nickel RoHS Compliant</p> <p>NF Aluminum / Cadmium with Olive Drab Chromate</p> <p>ZN Aluminum / Zinc-Nickel with Olive Drab Chromate</p> <p>ZNU Aluminum / Zinc-Nickel with Black Chromate</p> <p>MT Aluminum / Nickel-PTFE RoHS Compliant</p> <p>Z1 Stainless Steel / Passivated RoHS Compliant</p> | <p>SEE CONTACT ARRANGEMENTS PAGE F-2</p> | <p>Connector supplied with contacts</p> <p>P Pin</p> <p>S Socket</p> <p>Connector supplied without contacts</p> <p>A Pin Connector, less contacts</p> <p>B Socket Connector, less contacts</p> <p>Connectors with contacts are supplied with signal and/or power crimp contacts. These contacts are not installed.</p> <p>Coaxial contacts and non-standard signal contacts are ordered separately.</p> | <p>N Normal</p> <p>Alternate Key Positions:</p> <p>X</p> <p>Y</p> <p>Z</p> |

Dimensions in inches (millimeters) and are subject to change without notice.

Series 803 Mighty Mouse ¼ Turn Bayonet Coupling Jam Nut Receptacle Dimensions

803-004-07 and 803-003-07



DIMENSIONS

| Shell Size | Ø A | | B Flats | | C Flat | | Ø D | | E Thread | F Thread | Ø G | |
|------------|-------|-------|---------|-------|--------|-------|------|-------|------------------|------------------|------|-------|
| | In. | mm. | In. | mm. | In. | mm. | In. | mm. | | | In. | mm. |
| 5 | .575 | 14.61 | .545 | 13.84 | .350 | 8.89 | .300 | 7.62 | .3750-32 UNEF-2A | .2500-32 UNEF-2A | .230 | 5.84 |
| 6 | .635 | 16.13 | .595 | 15.11 | .410 | 10.41 | .362 | 9.19 | .4375-28 UNEF-2A | .3125-32 UNEF-2A | .286 | 7.26 |
| 7 | .755 | 19.18 | .723 | 18.36 | .536 | 13.61 | .436 | 11.07 | .5625-32 UN-2A | .4375-28 UNEF-2A | .390 | 9.91 |
| 8 | .755 | 19.18 | .790 | 20.11 | .593 | 15.10 | .508 | 12.91 | .6250-28 UN-2A | .5000-28 UNEF-2A | .440 | 11.18 |
| 9 | .830 | 21.08 | .790 | 20.07 | .596 | 15.14 | .561 | 14.25 | .6250-28 UN-2A | .5625-24 UNEF-2A | .500 | 12.70 |
| 10 | .890 | 22.61 | .925 | 23.51 | .721 | 18.31 | .635 | 16.13 | .7500-28 UN-2A | .6250-24 UNEF-2A | .562 | 14.27 |
| 12 | 1.078 | 27.38 | 1.044 | 26.52 | .845 | 21.46 | .714 | 18.14 | .8750-28 UN-2A | .6875-24 UNEF-2A | .650 | 16.51 |
| 14 | 1.264 | 32.11 | 1.230 | 31.24 | 1.022 | 25.96 | .865 | 21.97 | 1.0625-20 UN-2A | .9375-20 UNEF-2A | .805 | 20.45 |

ALTERNATE KEY POSITIONS

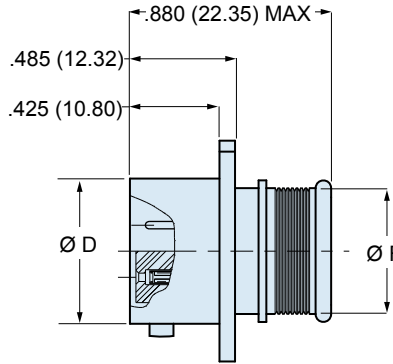
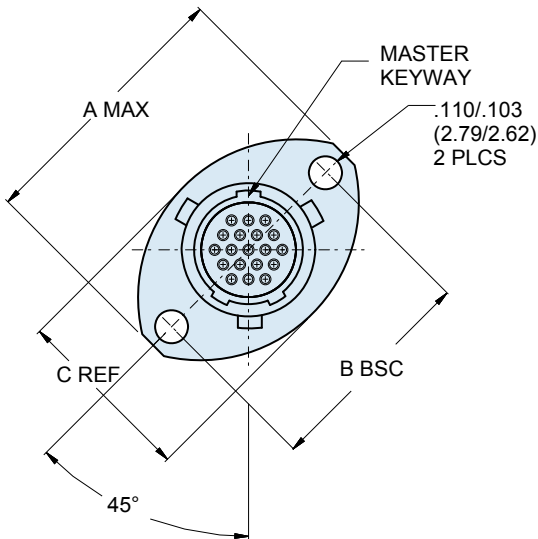
| Pos. | A° | B° |
|------|------|------|
| N | 150° | 210° |
| X | 75° | 210° |
| Y | 95° | 230° |
| Z | 140° | 275° |

JAM NUT PANEL CUTOUT

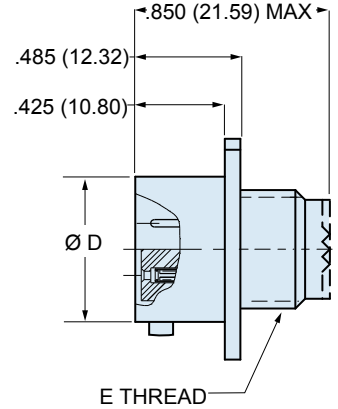
| Shell Size | A Flat | | Ø B | |
|------------|---------------|----------------|-------|-------|
| | In. ± .002 | mm. ± 0.05 | In. | mm. |
| 5 | .355 | 9.02 | .382 | 9.70 |
| 6 | .415 | 10.54 | .445 | 11.30 |
| 7 | .541 | 13.74 | .572 | 14.53 |
| 8 | .603 .599 | 15.32 15.21 | .635 | 16.13 |
| 9 | .601 | 15.27 | .643 | 16.33 |
| 10 | .731 .727 | 18.57 18.47 | .760 | 18.29 |
| 12 | .850 | 21.59 | .885 | 22.48 |
| 14 | 1.031 | 26.19 | 1.072 | 27.23 |

Dimensions in inches (millimeters) and are subject to change without notice.

**Series 803 Mighty Mouse ¼ Turn Bayonet Coupling
Flange Mount Receptacle Dimensions
803-004-02 and 803-003-02 Crimp Receptacles**



**Integral Band Platform
803-003-02**



**Accessory Thread
803-004-02**

| DIMENSIONS | | | | | | | | | | | |
|------------|--------|-------|--------|-------|--------|-------|------|-------|------------------|------|-------|
| Shell Size | A Max. | | B Bsc. | | C Ref. | | Ø D | | E Thread | Ø F | |
| | In. | mm. | In. | mm. | In. | mm. | In. | mm. | | In. | mm. |
| 5 | .703 | 17.86 | .513 | 13.03 | .460 | 11.68 | .300 | 7.62 | .2500-32 UNEF-2A | .230 | 5.84 |
| 6 | .788 | 20.02 | .598 | 15.19 | .522 | 13.26 | .362 | 9.19 | .3125-32 UNEF-2A | .286 | 7.26 |
| 7 | .890 | 22.61 | .708 | 17.98 | .590 | 14.99 | .436 | 11.07 | .4375-28 UNEF-2A | .390 | 9.91 |
| 8 | 1.154 | 29.31 | .964 | 24.49 | .668 | 16.97 | .508 | 12.91 | .5000-28 UNEF-2A | .440 | 11.18 |
| 9 | 1.207 | 30.66 | 1.017 | 25.83 | .721 | 18.31 | .561 | 14.25 | .5625-24 UNEF-2A | .500 | 12.70 |
| 10 | 1.291 | 32.79 | 1.101 | 27.97 | .795 | 20.19 | .635 | 16.13 | .6250-24 UNEF-2A | .562 | 14.27 |
| 12 | 1.394 | 35.41 | 1.204 | 30.58 | .874 | 22.20 | .714 | 18.14 | .6875-24 UNEF-2A | .650 | 16.51 |
| 14 | 1.545 | 39.24 | 1.280 | 32.51 | 1.050 | 26.67 | .865 | 21.97 | .9375-20 UNEF-2A | .805 | 20.45 |

| ALTERNATE KEY POSITIONS | | | |
|-------------------------|------|------|------|
| | Pos. | A° | B° |
| | N | 150° | 210° |
| | X | 75° | 210° |
| | Y | 95° | 230° |
| | Z | 140° | 275° |

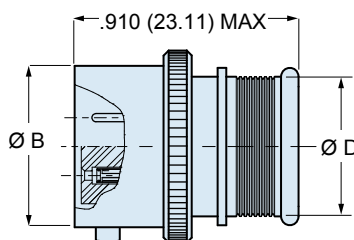
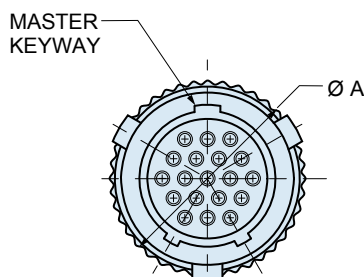
| FLANGE MOUNT PANEL CUTOUTS | | | | |
|----------------------------|-------|-------|------|-------|
| Shell Size | A | | Ø B | |
| | In. | mm. | In. | mm. |
| 5 | .513 | 13.03 | .365 | 9.25 |
| 6 | .598 | 15.19 | .430 | 10.92 |
| 7 | .708 | 17.98 | .520 | 13.21 |
| 8 | .964 | 17.98 | .592 | 15.04 |
| 9 | 1.017 | 25.83 | .645 | 16.38 |
| 10 | 1.101 | 27.97 | .726 | 18.44 |
| 12 | 1.204 | 30.58 | .832 | 21.13 |
| 14 | 1.280 | 32.51 | .945 | 24.00 |

Dimensions in inches (millimeters) and are subject to change without notice.

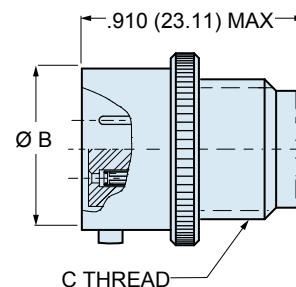
Series 803 Mighty Mouse ¼ Turn Bayonet Coupling

In-Line Receptacle Dimensions

803-004-01 and 803-003-01 Crimp Receptacles



Integral Band Platform
803-003-01



Accessory Thread
803-004-01

DIMENSIONS

| Shell Size | A Max. | | Ø B | | C Thread | Ø D | |
|------------|--------|-------|------|-------|------------------|------|-------|
| | In. | mm. | In. | mm. | | In. | mm. |
| 5 | .402 | 10.21 | .300 | 7.62 | .2500-32 UNEF-2A | .230 | 5.84 |
| 6 | .465 | 11.81 | .362 | 9.19 | .3125-32 UNEF-2A | .286 | 7.26 |
| 7 | .500 | 12.70 | .436 | 11.07 | .4375-28 UNEF-2A | .390 | 9.91 |
| 8 | .570 | 14.48 | .508 | 12.90 | .5000-28 UNEF-2A | .440 | 11.18 |
| 9 | .652 | 16.56 | .561 | 14.25 | .5625-24 UNEF-2A | .500 | 12.70 |
| 10 | .715 | 18.15 | .635 | 16.13 | .6250-24 UNEF-2A | .562 | 14.27 |
| 12 | .805 | 20.45 | .714 | 18.14 | .6875-24 UNEF-2A | .650 | 16.51 |
| 14 | .915 | 23.24 | .865 | 21.97 | .9375-20 UNEF-2A | .805 | 20.45 |

ALTERNATE KEY POSITIONS

| Pos. | A° | B° |
|------|------|------|
| N | 150° | 210° |
| X | 75° | 210° |
| Y | 95° | 230° |
| Z | 140° | 275° |

Dimensions in inches (millimeters) and are subject to change without notice.

X-ON Electronics

Largest Supplier of Electrical and Electronic Components

Click to view similar products for [Circular MIL Spec Connector](#) category:

Click to view products by [Glenair](#) manufacturer:

Other Similar products are found below :

[89075GULPR](#) [0025-262-542](#) [0025-264-3014](#) [58-570121-04S](#) [0134-213-1208](#) [0134-213-2209](#) [0025-258-000](#) [60-042022-07P](#) [60-042022-19P](#)
[60-042022-23P](#) [60-042217-10P](#) [0114-201-1278](#) [012-0467-000](#) [602GB06EG24-61SN](#) [0134-201-1207](#) [0134-213-1006](#) [6104-207-2302](#) [6104-](#)
[208-1902](#) [61-168211-04P](#) [61-168617-10P](#) [6131-202-19149P](#) [6131-204-21149P](#) [6131-208-13149P](#) [6131-209-17149P](#) [6131-210-11149P](#) [6131-](#)
[211-19149P](#) [6131-216-19149P](#) [6131-259-21149P](#) [6131-259-23149P](#) [6131-265-17149P](#) [6131-265-19149P](#) [CS3100A18-1P-472](#) [CS3100A-36-](#)
[77P](#) [CS3101A-16-55P](#) [CS3102A-10SL-55P](#) [CS3102A-14S-58P](#) [CS3102A-32-17P](#) [CS3102A32-25S](#) [CS3102C18-4P-472](#)
[CS3106A10SL3S004](#) [CS3106A-18-73S](#) [CS3108A-14S-52S](#) [CS3108A-28-51S](#) [6162-233-1277](#) [6162-324-1231](#) [M243082296Z](#)
[M2884010AC1S1](#) [CT0-24-10SC](#) [CT0M20-7PCAU](#) [M28840/17AC1G3](#)