

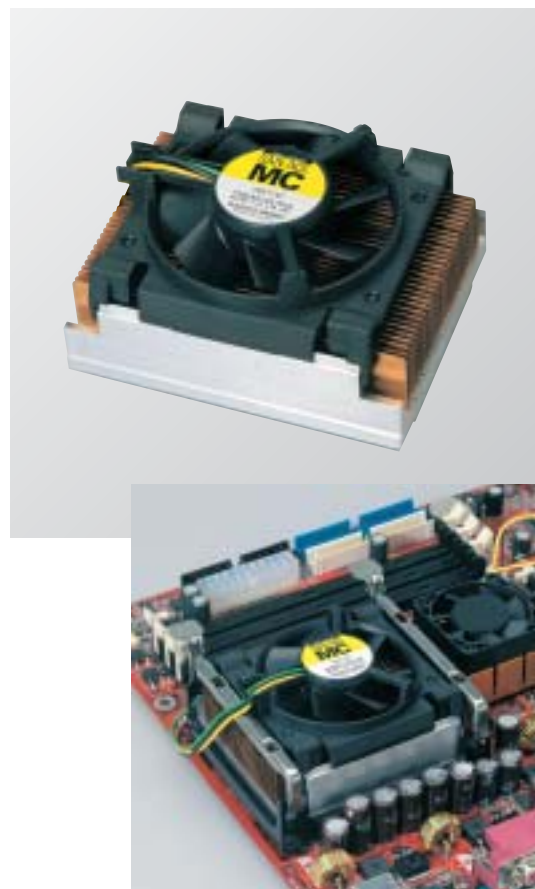
MPU coolers

SAN ACE MC

Intel® Pentium®4 Processor 2.0GHz (Socket 478) compatible

General specifications

- Life expectancy 40,000 hours, indoor environment(survival rate: 90% at 60°C, rated voltage, and continuously run in a free air state)
- Motor protection system Current cut system (with reverse-connection protection)
- Dielectric strength 50/60 Hz, 500 VAC, 1 minute
(between lead conductor and frame)
- Noise measurement method .. measurements at 1m from fan suction side
- Operating thermally range 0°C to +70°C (non-condensing)
- Material Frame, impeller : resin mold
Heat sink : aluminium base + copper fin (109X9412S1016)
: aluminium (109X9412S1116)
- Fan power lead ⊕yellow (connector No. 2 side)
⊖black (connector No.1 side)
Sensor green light (connector No. 3 side)
- Connector Molex 22-01-3037 : P/N2695-03RP
- Contact Molex P/N5159PBT or 2759T-compatible
- Option(separate order) Mounting method : Mount using 109-1008specialized metal fittings(2pcs.)



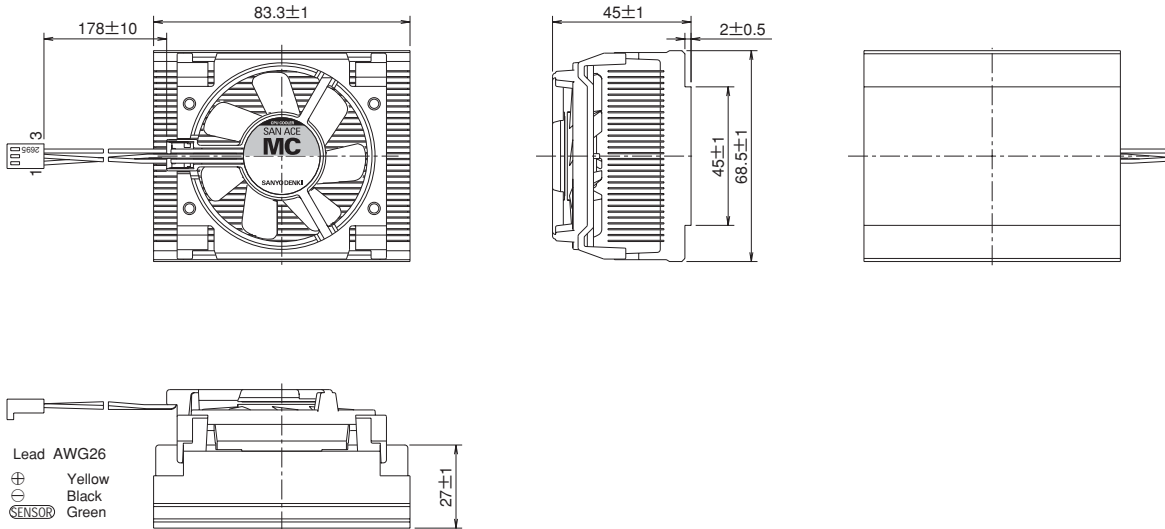
MPU Coolers

Specifications

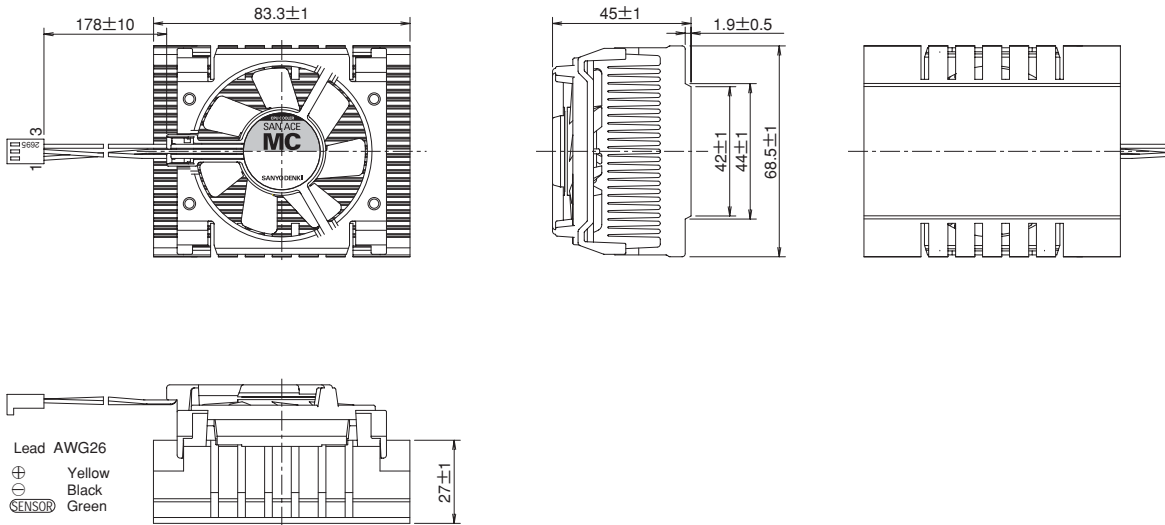
Model No.	Rated voltage (V)	Operating voltage range (V)	Rated current (A)	Rated rotating speed (min ⁻¹)	θ _{j-a} Thermal resistance (K/W)	Noise (dB[A])	Mass (g)
109X9412S1016	12	7~13.8	0.17	4,800	0.445	39	360

Dimensions (unit : mm)

109X9412S1016



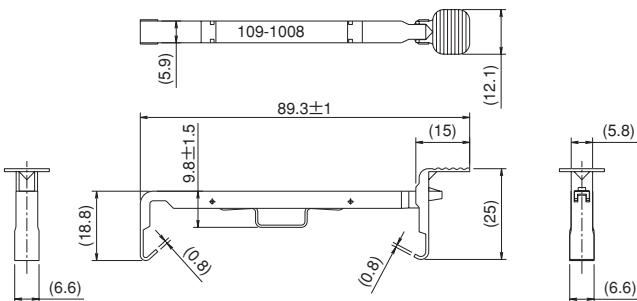
109X9412S1116



MPU Coolers

Installation metal fittings (unit : mm)

109-1008



SANYO DENKI

Socket478

X-ON Electronics

Largest Supplier of Electrical and Electronic Components

Click to view similar products for [Heat Sinks - LED category](#):

Click to view products by [Sanyo Denki manufacturer](#):

Other Similar products are found below :

[LMH020-HS00-0000-0000002](#) [LRS180150CB](#) [LRS200100TW](#) [LRS200100TWK](#) [LRS285200TW](#) [684S4ST2](#) [LM310-003A99DN](#) [LMH020-HS00-0000-0000081](#) [LRS180150CBK](#) [LRS285200TWK](#) [098011G](#) [ATS-58000-C1-R0](#) [ATS-58001-C1-R0](#) [ATS-58002-C1-R0](#) [ATS-58003-C2-R0](#) [ATSEU-077A2-C1-R1](#) [ATSEU-077A2-C2-R0](#) [ATSEU-077A2-C5-R0](#) [ATSEU-077A-C3-R0](#) [ATSEU-077A-C4-R0](#) [ATSEU-077A-C6-R0](#) [ATSEU-077B-C1-R0](#) [ATSEU-077B-C2-R0](#) [ATSEU-077B-C3-R0](#) [ATSEU-077B-C4-R0](#) [ATSEU-077B-C5-R0](#) [ATSEU-077B-C6-R0](#) [ATSEU-077C-C1-R0](#) [ATSEU-077C-C2-R0](#) [ATSEU-077C-C3-R0](#) [ATSEU-077C-C4-R0](#) [ATSEU-077C-C5-R0](#) [ATSEU-077C-C6-R0](#) [ATSEU-077D-C1-R0](#) [ATSEU-077D-C2-R0](#) [ATSEU-077D-C3-R0](#) [ATSEU-077D-C4-R0](#) [ATSEU-077D-C5-R0](#) [ATSEU-077D-C6-R0](#) [ATSEU-109-C1-R0](#) [ATSEU-109-C2-R0](#) [ATSEU-110-C1-R0](#) [ATSEU-110-C2-R0](#) [LMH020-HS00-0000-0000001](#) [LMH020-HS00-0000-0000061](#) [LMR020-HS02-0000-0000001](#) [PG1W-12-60-L3BN](#) [45-4586](#) [180289-0000](#) [HSSLS-CALCL-008](#)