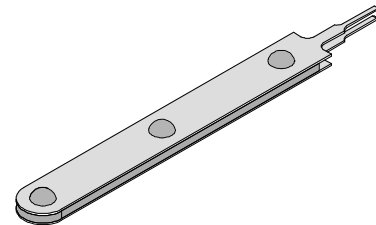




**Extractor Tool
Instruction Sheet
Order No. 11-03-0044
Engineering No. HT60630B**



FEATURES

- This Extractor Tool is for the removal of Mini-Fit Jr.™ Crimped Terminals Series from their housings.

SCOPE

Products: Mini-Fit Jr.™, Mini-Fit HCS™, and Mini-Fit Plus HCS™, Male, and Female Crimp Terminals 14-30 AWG and 2.00mm (.079") Pitch Board-In Male Crimp Terminal, 24-28 AWG.

Terminal Series No.	Terminal Order No.					
5556	39-00-0038	39-00-0039	39-00-0046	39-00-0047	39-00-0055	39-00-0056
	39-00-0059	39-00-0060	39-00-0065	39-00-0066	39-00-0073	39-00-0074
	39-00-0077	39-00-0078	39-00-0079	39-00-0080	39-00-0089	39-00-0090
	39-00-0093	39-00-0094	39-00-0108	39-00-0109	39-00-0110	39-00-0111
	39-00-0112	39-00-0113	39-00-0114	39-00-0115	39-00-0116	39-00-0117
	39-00-0118	39-00-0119	39-00-0141	39-00-0142	39-00-0153	39-00-0154
	39-00-0157	39-00-0158	39-00-0163	39-00-0164	39-00-0167	39-00-0168
	39-00-0169	39-00-0170	39-00-0173	39-00-0174	39-00-0175	39-00-0176
	39-00-0179	39-00-0180	39-00-0181	39-00-0182	39-00-0185	39-00-0186
	39-00-0194	39-00-0195	39-00-0198	39-00-0200	39-00-0201	39-00-0204
	39-00-0205	39-00-0207	39-00-0208	39-00-0211	39-00-0212	39-00-0213
	39-00-0214	39-00-0217	39-00-0218	39-00-0405	39-00-0406	39-00-0410
	39-00-0419	39-00-0425	39-00-0428	39-00-0429	39-00-0436	39-00-0440
	39-00-0441	39-00-0447	39-00-0448	40-13-0851	40-13-0852	
5558	39-00-0040	39-00-0041	39-00-0048	39-00-0049	39-00-0053	39-00-0054
	39-00-0061	39-00-0062	39-00-0067	39-00-0068	39-00-0075	39-00-0076
	39-00-0081	39-00-0082	39-00-0083	39-00-0084	39-00-0095	39-00-0096
	39-00-0099	39-00-0100	39-00-0120	39-00-0121	39-00-0124	39-00-0125
	39-00-0126	39-00-0127	39-00-0130	39-00-0131	39-00-0147	39-00-0148
	39-00-0219	39-00-0220	39-00-0223	39-00-0224	39-00-0411	39-00-0420
	39-00-0426	39-00-0430	39-00-0431	39-00-0437	39-00-0449	39-00-0450
	40-13-0853	40-13-0854				
30490	30490-1002	30490-1012	30490-2002	30490-2012	30490-9802	30490-9902
44476	44476-1111	44476-1112	44476-1211	44476-1212	44476-3111	44476-3112
	44476-3211	44476-3212	44476-9901	44476-9902	44476-9903	44476-9904
	44476-9905	44476-9906	44476-9907	44476-9908		
44478	44478-1111	44478-1112	44478-1221	44478-1122	44478-1211	44478-1212
	44478-1121	44478-1222	44478-3111	44478-3112	44478-3121	44478-3122
	44478-3211	44478-3212	44478-3221	44478-3222	44478-9901	44478-9902
	44478-9903	44478-9904	44478-9905	44478-9906	44478-9907	44478-9908
44485	44485-1211	44485-1212	44485-1311	44485-1312	44485-1411	44485-1412
	44485-2211	44485-2212	44485-2311	44485-2312	44485-2411	44485-2412
	44485-3211	44485-3212	44485-3311	44485-3312	44485-3411	44485-3412
	44485-5211	44485-5212	44485-5311	44485-5312	44485-5411	44485-5412

Terminal Series No.	Terminal Order No.					
	45750	45750-1111	45750-1112	45750-1211	45750-1212	45750-3111
45750-3211		45750-3212	45750-4111	45750-4112	45750-4211	45750-4212
46012	46012-1141	46012-1142	46012-1241	46012-1242	46012-3141	46012-3142
	46012-3241	46012-3242				
46018	46018-1541	46018-1542	46018-2541	46018-2542	46018-3541	46018-3542
46083	46083-1111	46083-1112	46083-1121	46083-1122	46083-1211	46083-1212
	46083-1221	46083-1222	46083-2111	46083-2112	46083-2121	46083-2122
	46083-2211	46083-2212	46083-2221	46083-2222	46083-3111	46083-3112
	46083-3121	46083-3122	46083-3211	46083-3212	46083-3221	46083-3222
46098	46098-1541	46098-1542	46098-2541	46098-2542	46098-3541	46098-3542
5378	39-00-0029	39-00-0030				

OPERATION:

1. Insert the extractor tool into the housing as shown in Figure 1.
2. Use the slots located on the inside of the housing to guide the extraction tool blades into the housing until contact is made with terminal.
3. Continue to insert the tool always checking to see that the blades of extraction tool are on the outside of the contact as shown in Figure 2.
4. Continue to insert extraction tool into housing until the locking tangs have snapped out of their locked position. If the terminal locking tabs are still not totally depressed, hold on tight to the wire and push it towards the extractor tool, this will completely depress the locking tabs. See Figure 2.
5. Gently pull the terminal by the wire, out from the housing.

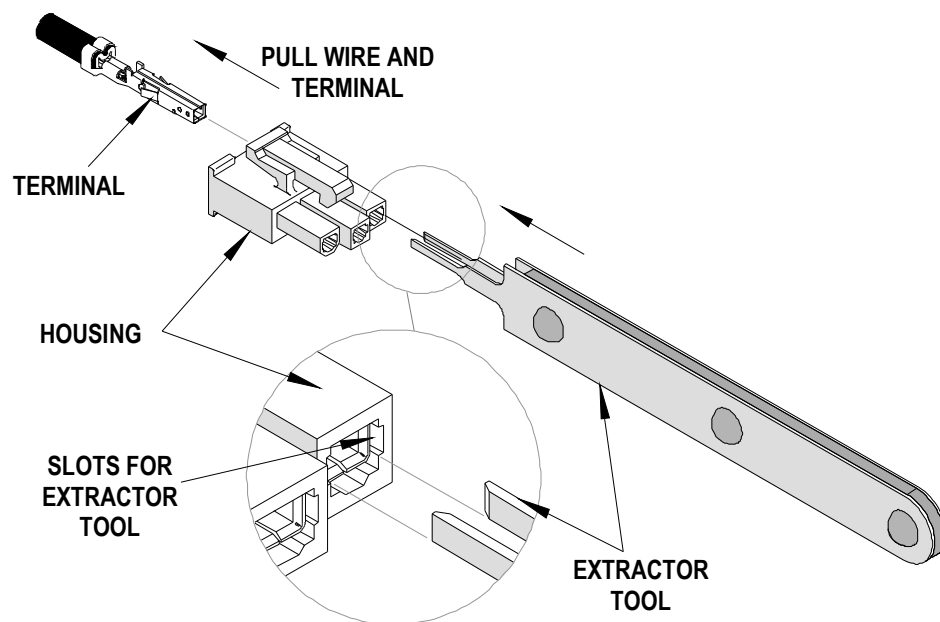


Figure 1

NOTE:

When a terminal is removed in this manner the locking tangs are damaged and the terminal is not reusable.

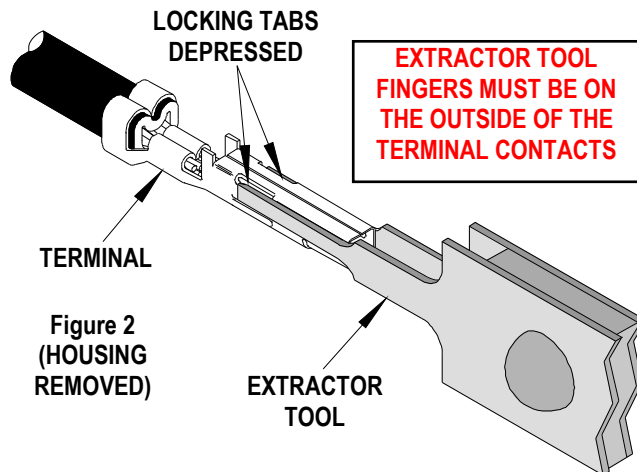


Figure 2
(HOUSING REMOVED)

Terminal and Housing Application Chart		Uses Extractor Tool No. 63813-1200 <u>only</u> for these Terminal and Housing Combinations.
Terminal Series No.	Used with Housing Series No.	
44478-**2*	44157	
44476	44156	

For 5378 Terminal Series:

Individual terminals may be extracted from the housing using this Tool.

1. Hold the housing with the locking tab facing up. Bend the wire down and insert one of the blades of the extractor tool into the housing under the locking tab. See Figure 3.
2. Hold the wire against the extractor tool and gently pull the terminal by the wire and the extractor tool at the same time out from the housing in the direction shown.

Molex does not offer repair parts for Extractor Tools due to the inexpensive nature of these tools

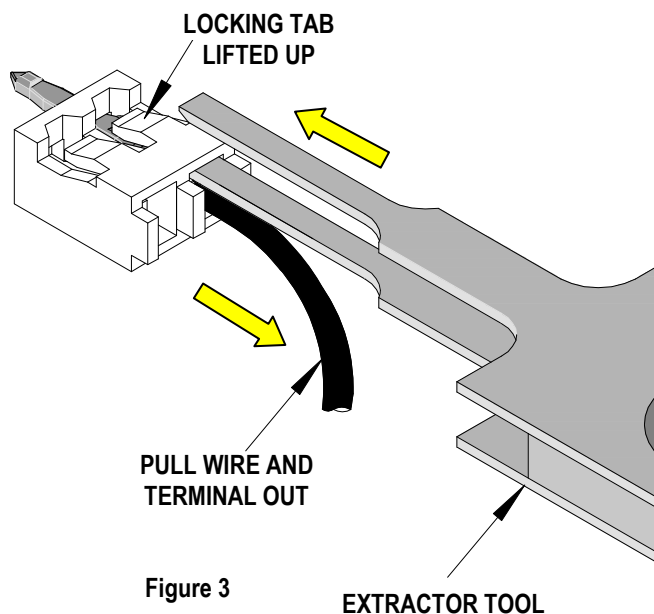


Figure 3

Americas Headquarters
Lisle, Illinois 60532 U.S.A.
1-800-78MOLEX
amerinfo@molex.com

Far East North Headquarters
Yamato, Kanagawa, Japan
81-462-65-2324
feninfo@molex.com

Far East South Headquarters
Jurong, Singapore
65-6-268-6868
fesinfo@molex.com

European Headquarters
Munich, Germany
49-89-413092-0
eurinfo@molex.com

Corporate Headquarters
2222 Wellington Ct.
Lisle, IL 60532 U.S.A.
630-969-4550
Fax: 630-969-1352

Visit our Web site at <http://www.molex.com>

X-ON Electronics

Largest Supplier of Electrical and Electronic Components

Click to view similar products for [Crimpers](#) category:

Click to view products by [Molex](#) manufacturer:

Other Similar products are found below :

[576771-1](#) [576788-2](#) [010-0041](#) [010-0055](#) [010-0096](#) [604228-1](#) [M225202-37](#) [CT150-2-D02](#) [CT150-4-LY2](#) [CT150-6-RH07](#) [M322](#) [63484-3701](#)
[63800-0140](#) [63800-8355](#) [63811-3275](#) [63811-3376](#) [63811-6375](#) [63811-6475](#) [63811-7875](#) [63811-8175](#) [63811-8875](#) [63819-0475](#) [63819-1875](#)
[63819-2875](#) [63819-4375](#) [63819-4475](#) [63823-3475](#) [63823-5175](#) [63823-6375](#) [63823-8375](#) [63827-5375](#) [64001-0975](#) [64001-2175](#) [64001-4175](#)
[662903-2](#) [690142-4](#) [690602-6](#) [D38999/20WA98JB-LC](#) [7-1633664-2](#) [7-22278-0](#) [7-22280-5](#) [7-240641-3](#) [762637-1](#) [808714-1](#) [8-1633117-3](#)
[853721-6](#) [91362-1](#) [995-0001-187](#) [1-1633932-5](#) [999-50-020083](#)