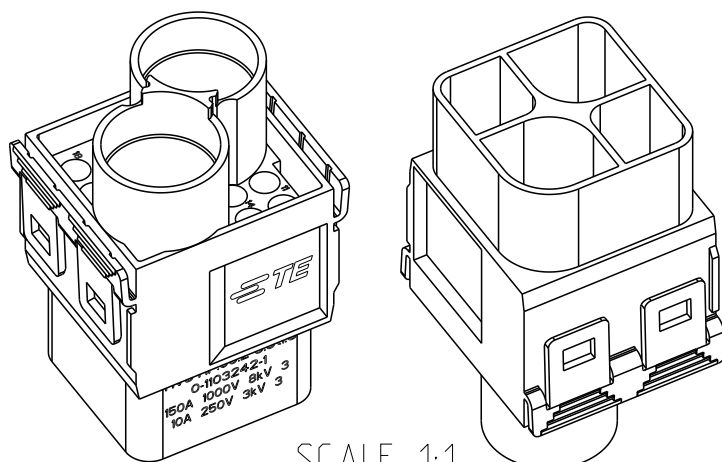
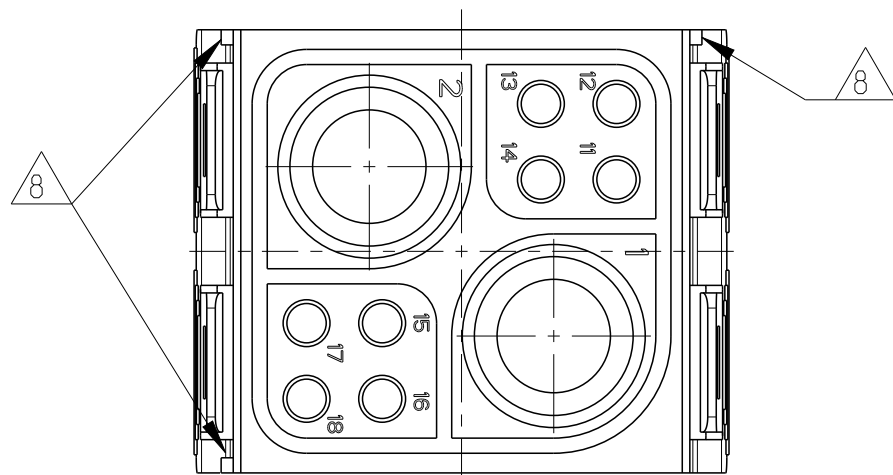


P	LTR	DESCRIPTION	DATE	DWN	APVD
D		ECR-15-007353	01JUN2015	GSK	JB

CONTACT ARRANGEMENT VIEW FROM CONNECTING SIDE

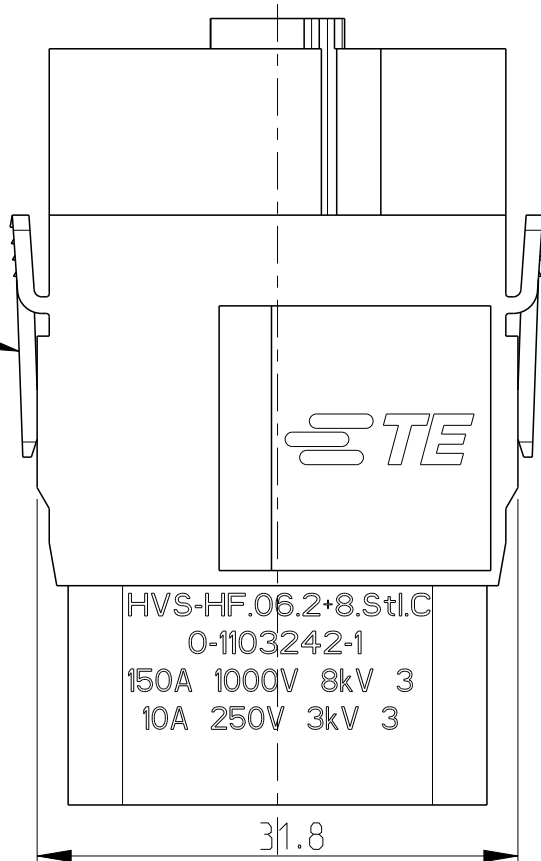


SCALE 1:1

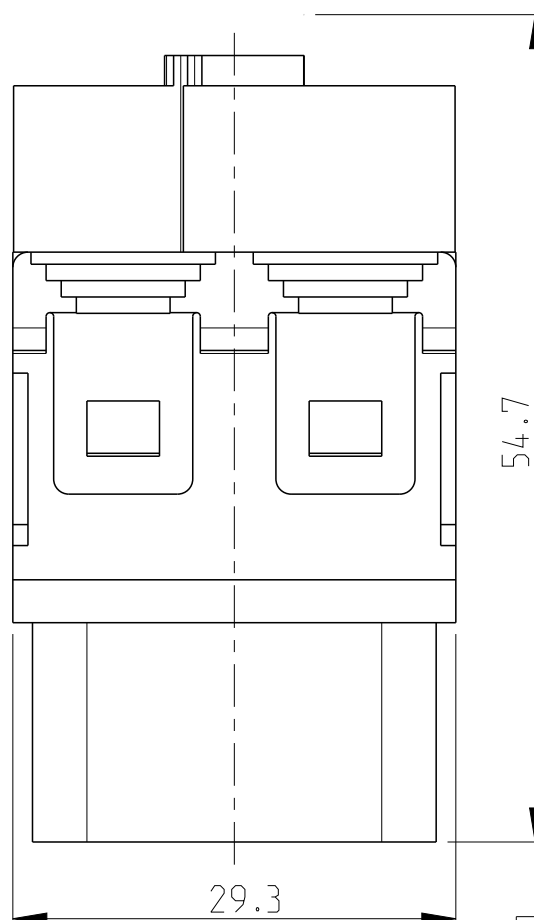
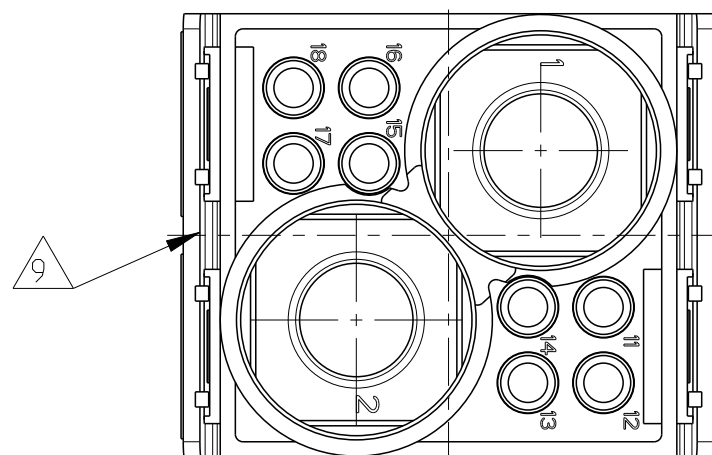
NOTES

- 1 SUITABLE CRIMP CONTACTS: SERIES HN.D
CUSTOMER DRAWING: 1105050
OUTER DIMENSIONS OF INSULATION: MAX. Ø4mm
- 2 SUITABLE CONTACTS: SERIES HF.06
CUSTOMER DRAWING: 1110948
OUTER DIMENSIONS OF INSULATION: MAX. Ø15mm
- 3 SUITABLE CRIMP BARRELS: SERIES HF.06/08
CUSTOMER DRAWING: 1108807
- 4 SUITABLE MODULE FIXING FRAME: SERIES HVS SIZE 3 TO 8
CUSTOMER DRAWING: 1103250
- 5 SUITABLE INSERTION TOOL:
CUSTOMER DRAWING: 1102855
- 6 SUITABLE EXTRACTION TOOL:
CUSTOMER DRAWING: 1102855
- 7 STANDARDS:
DIN EN 61984; DIN EN 60664-1
- 8 POLARIZATION RIBS
- 9 MARKING OF POLARIZATION ACCORDING TO MARKING OF
MODULE FRAME
- 10 PACKAGING:
10 PIECES IN A CARTON

1



CONTACT ARRANGEMENT VIEW FROM TERMINATION SIDE



PN 0-1 AS SHOWN

QTY	DESCRIPTION	MATERIAL	COLOR	NOTE	ITEM NO
1	FEMALE INSERT	PBT-GF10	LIGHT GREY	HVS-HF.06.Sti	1
HVS-HF.06.2+8.Sti.C					

THIS DRAWING IS A CONTROLLED DOCUMENT.

DIMENSIONS: mm	TOLERANCES UNLESS OTHERWISE SPECIFIED: ISO 8075 DIN ISO 2768 mH-E DIN 16901-120
	0 PLC ± 1 PLC ± 2 PLC ± 3 PLC ± 4 PLC ± ANGLES ±
MATERIAL	FINISH
11	12

DWN	SCHNEIDER	14.02.2006
CHK	H.BRAUN	14.02.2006
APVD	T.SCHNURPFIL	14.02.2006
PRODUCT SPEC	108-74024	
APPLICATION SPEC	114-74077	
WEIGHT		
CUSTOMER DRAWING		



NAME				MALE INSERT HVS-HF.06.2+8.STI.C	
SIZE	CAGE CODE	DRAWING NO	RESTRICTED TO		
A3	00779	©=1103242			
SCALE 1:1			SHEET 1 OF 1		REV D

X-ON Electronics

Largest Supplier of Electrical and Electronic Components

Click to view similar products for [Heavy Duty Power Connectors](#) category:

Click to view products by [TE Connectivity](#) manufacturer:

Other Similar products are found below :

[1424439](#) [1424438](#) [09330062652](#) [2-8675P1](#) [580129-2](#) [605601-1](#) [6340G1](#) [6341G1](#) [6360G1](#) [6373G1](#) [6374g2](#) [6396G1](#) [647757-1](#) [66394-4](#)
[6643411-1](#) [6646058-2](#) [6646137-1](#) [6646138-1](#) [6646348-1](#) [6646479-1](#) [6646608-1](#) [6646786-1](#) [6646940-1](#) [6651091-1](#) [6651525-1](#) [6651529-1](#)
[6651778-1](#) [6651788-1](#) [696465-1](#) [696475-1](#) [73000005059](#) [73000005349](#) [73000005642](#) [73080255059](#) [73080965046](#) [765-15-0080A](#)
[765-16-0080B](#) [789.700-44](#) [789.700-54](#) [80-1010](#) [80-9](#) [827381-1](#) [829992-1](#) [902-77-02113](#) [PL00U-301-10D10](#) [PM103MOOLOO](#)
[PM16S1620S32-50](#) [PM212MOOLOO](#) [PM309FOOLOO](#) [PM324FOOLCH](#)