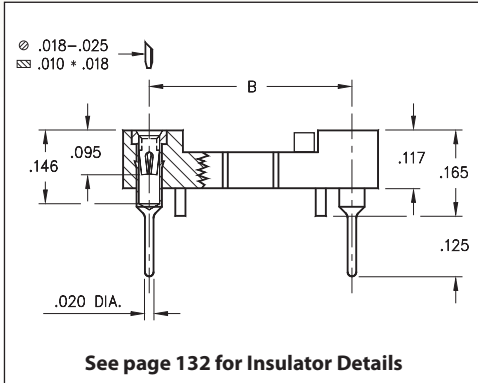
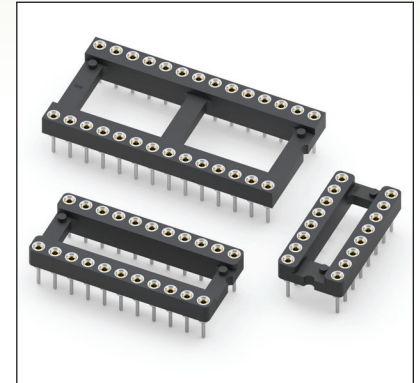


DUAL-IN-LINE SOCKETS

SERIES 110...605 • AUTOMATIC INSERTION • OPEN FRAME



- High temperature thermoplastic insulator with standoffs is compatible with standard automatic insertion equipment and all soldering processes
- Soft copper alloy machined pins allow clinching. Chamfered contact entry allows for ease of IC insertion without bent leads
- Hi-Rel, 4-finger BeCu #30 contact is rated at 3 amps. See page 253 for details
- Series 110 uses MM #1005 pins. See page 166 for details
- For Electrical, Mechanical and Environmental Data, see page 264 for details



ORDERING INFORMATION

Total number of pins				Quantity per tube	
	A	B	C		
6	0.3	0.3	0.4	67	110-XX-306-41-605000
8	0.4	0.3	0.4	50	110-XX-308-41-605000
14	0.7	0.3	0.4	28	110-XX-314-41-605000
16	0.8	0.3	0.4	25	110-XX-316-41-605000
18	0.9	0.3	0.4	22	110-XX-318-41-605000
20	1.0	0.3	0.4	20	110-XX-320-41-605000
24	1.2	0.3	0.4	16	110-XX-324-41-605000
22	1.1	0.4	0.5	18	110-XX-422-41-605000
24	1.2	0.6	0.7	16	110-XX-624-41-605000
28	1.4	0.6	0.7	14	110-XX-628-41-605000
32	1.6	0.6	0.7	12	110-XX-632-41-605000
40	2.0	0.6	0.7	10	110-XX-640-41-605000

XX=Plating Code
See Below



SPECIFY PLATING CODE XX =	91	93	41	43	47
Sleeve (Pin)	200 μ" Sn/Pb	200 μ" Sn/Pb	200 μ" Sn	200 μ" Sn	200 μ" Sn
Contact (Clip)	10 μ" Au	30 μ" Au	10 μ" Au	30 μ" Au	Au Flash



X-ON Electronics

Largest Supplier of Electrical and Electronic Components

Click to view similar products for [Sockets & Adapters](#) category:

Click to view products by [Mill-Max](#) manufacturer:

Other Similar products are found below :

[6508-0-00-01-00-00-33-0](#) [AC164341](#) [AC164348](#) [1262](#) [C8051F350-TB](#) [KITPF0100SKTEVBE](#) [LFVDBJR](#) [SK-AX2-CQ256-KITTOP](#)
[AC164334](#) [AC164353](#) [AC164383](#) [SOCKET-ADM106XTQZ](#) [SPC564A80CAL176](#) [ST5M1267-001](#) [FP3-10PIN-ADAPTER-KIT](#) [CY3675-](#)
[LCC4A](#) [TDGL015](#) [ATF15XXDK3-SAA100](#) [LFBGADATC](#) [SM64TQ-ACTEL-1](#) [8.06.03](#) [AC164358](#) [ATSTK600-RC99](#) [76002056](#)
[DS91230+](#) [OM13019,598](#) [09185058](#) [AC164369](#) [AC164409](#) [AC164402](#) [SMPA-ISP-ACTEL-3-KIT](#) [ICESABCM81-01](#) [LFVDBGF](#)
[AC164408](#) [LFBGADAU1A](#) [KIT 70601-3](#) [S5U13U00P00C100](#) [AC164352](#) [PN-Q208/5256V](#) [PN-T100/LC4256](#) [LFBGAINTM55U1QA](#)
[AC164370](#) [AC164355](#) [AC164367](#) [LFDAS12XEFT](#) [CY3675-TSSOP20B](#) [SPC563M64AVB144](#) [ATF15XXDK3-SAA44](#) [AC164410](#)
[SPC563M64AVB176](#)