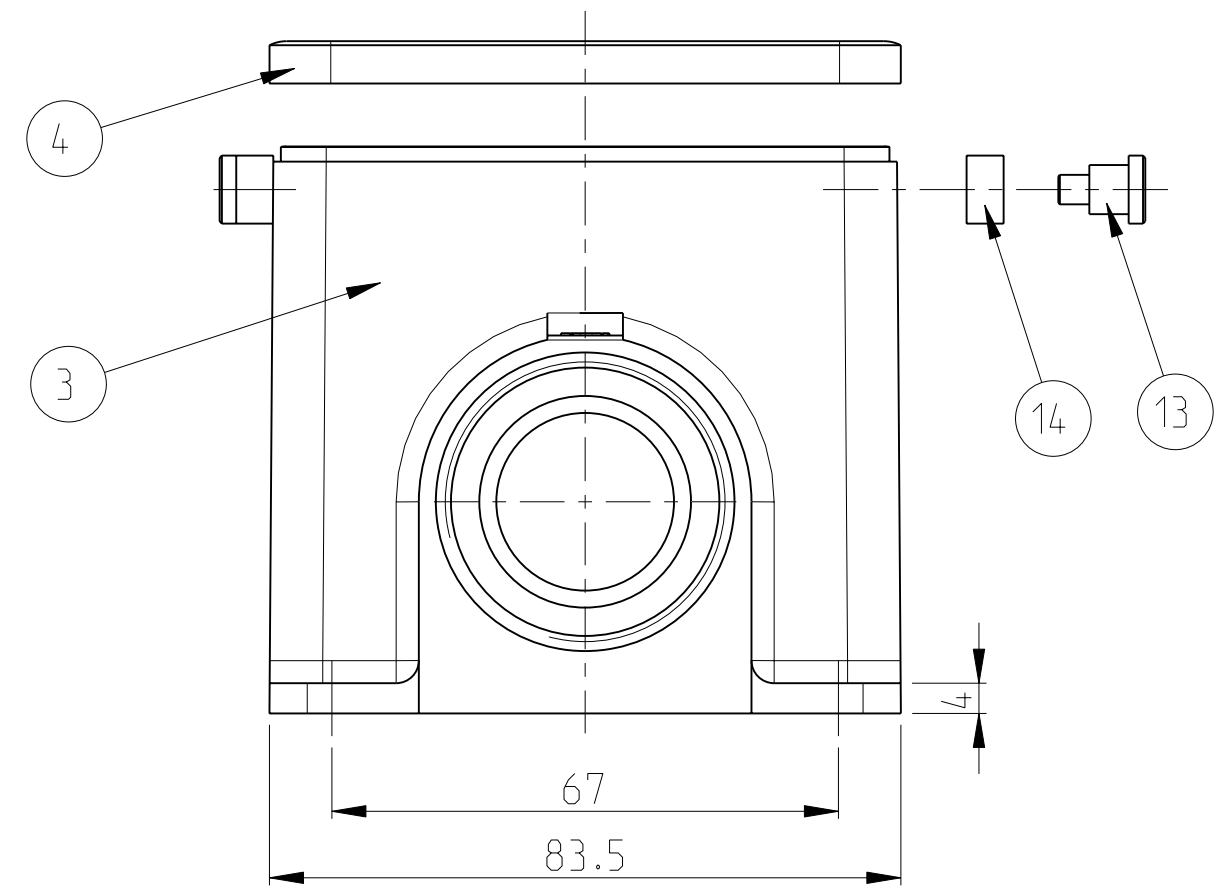
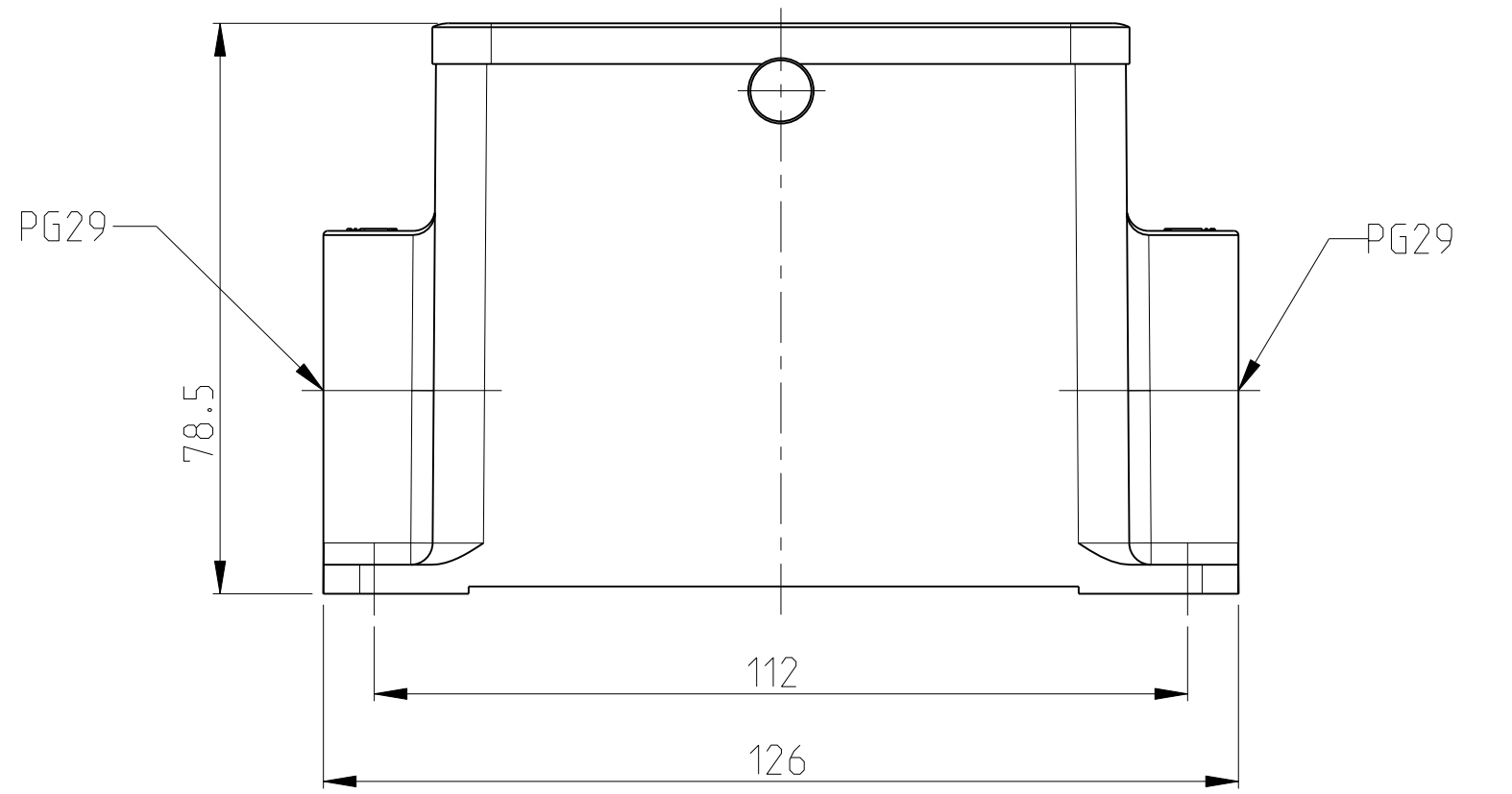
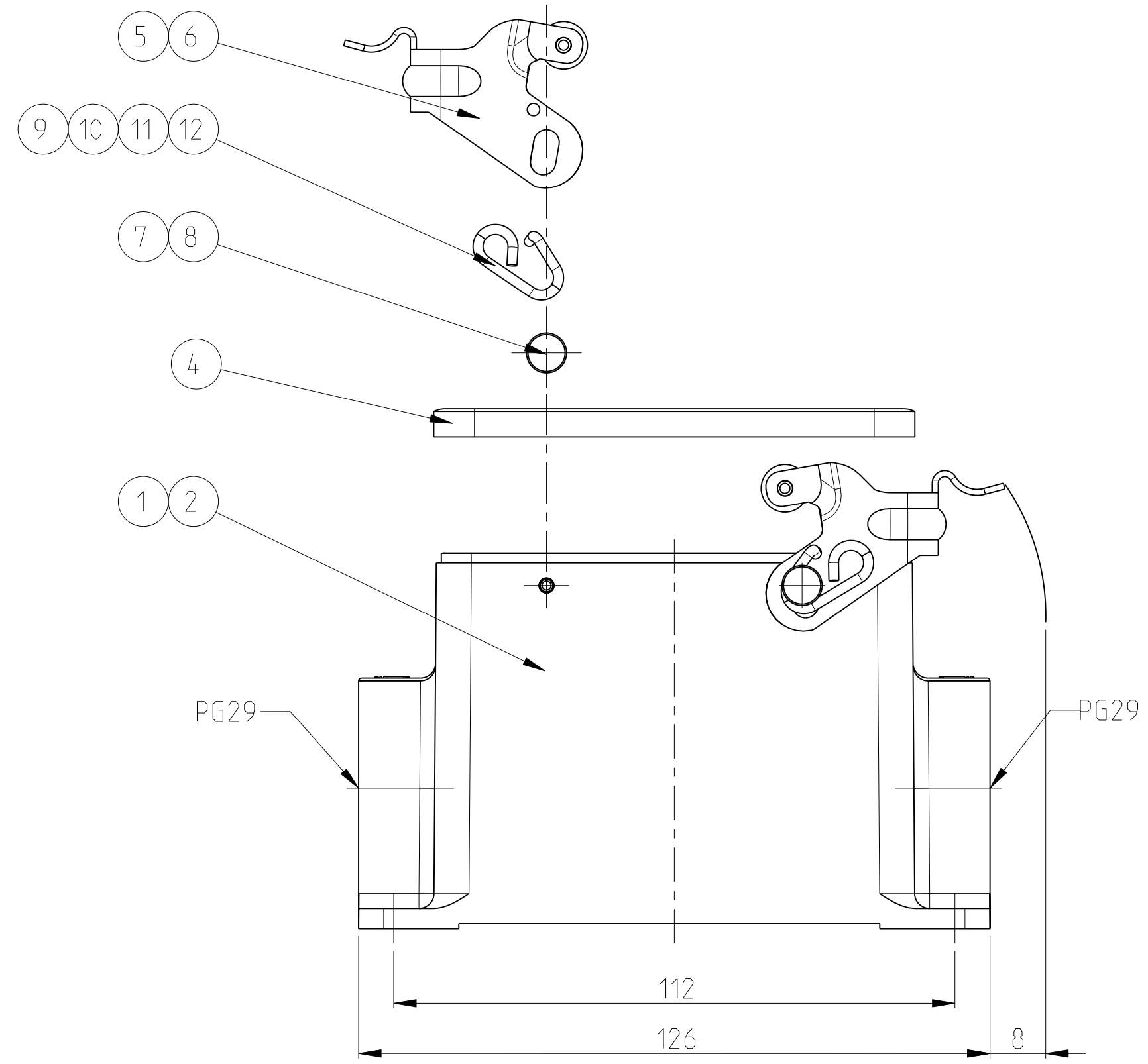


THIS DRAWING IS UNPUBLISHED. RELEASED FOR PUBLICATION 2006
 © COPYRIGHT 2006 BY TYCO ELECTRONICS CORPORATION. ALL RIGHTS RESERVED.

LOC		DIST		REVISIONS				
P	LTR	DESCRIPTION	DATE	DWN	APVD			
A2		new pro/E drawing ECR-09-007725	01APR2009	SR	AR			



- NOTES
- PART SHALL BE FREE AND CLEAN OF BURRS AND OTHER FOREIGN MATERIAL
 - PACKAGING: QUANTITY 3 PIECES
 - VARNISHING INSIDE HOUSING NOT REQUIRED



QTY	DESCRIPTION	MATERIAL	SURFACE	COLORE	ITEM	NOTES
2	SLIDE SPOOL	STEEL	ZINC PLATED	BLUE	14	
2	CLIP BOLT	STEEL	ZINC PLATED	BLUE	13	
2	CLIP SPRING RIGHT	STAINLESS STEEL	BLANC		12	
2	CLIP SPRING RIGHT	STEEL	ZINC PLATED	BLUE	11	
2	CLIP SPRING LEFT	STAINLESS STEEL	BLANC		10	
2	CLIP SPRING LEFT	STEEL	ZINC PLATED	BLUE	9	
4	CLIP POSITIONER	STAINLESS STEEL	BLANC		8	
4	CLIP POSITIONER	STEEL	ZINC PLATED	BLUE	7	
2	LOCKING CLIP	STAINLESS STEEL	BLANC		6	
2	LOCKING CLIP	STEEL	ZINC PLATED	BLUE	5	
1	PROFIL SEAL	NEOPRENE		BLACK	4	
1	SURFACE MOUNTED HOUSING SIDE ENTRY	ALUMINIUM		GREY	3	
1	SURFACE MOUNTED HOUSING SIDE ENTRY	ALUMINIUM	ALUMINIUMOXID	BLACK	2	
1	SURFACE MOUNTED HOUSING SIDE ENTRY	ALUMINIUM		GREY	1	

HB.32.SG-VS.2.29.Z
 HB-K.32.SG-VS.2.29.Z
 HB-Z.32.SG-ZVGR.2.29.Z

DIMENSIONS: mm		TOLERANCES UNLESS OTHERWISE SPECIFIED:		DWN R.SCHNEIDER 01APR2009		Tyco Electronics tyco Electronics AMP GmbH 53757 Sankt Augustin (Germany)															
<table border="1"> <tr><td>0 PLC</td><td>±-</td></tr> <tr><td>1 PLC</td><td>±-</td></tr> <tr><td>2 PLC</td><td>±-</td></tr> <tr><td>3 PLC</td><td>±-</td></tr> <tr><td>4 PLC</td><td>±-</td></tr> <tr><td>ANGLES</td><td>±1°</td></tr> <tr><td>FINISH</td><td></td></tr> </table>		0 PLC	±-	1 PLC	±-	2 PLC	±-	3 PLC	±-	4 PLC	±-	ANGLES	±1°	FINISH		APVD -		NAME SURFACE MOUNTED HOUSING SIDE ENTRY HB.32.SG.2.29.Z		RESTRICTED TO -	
0 PLC	±-																				
1 PLC	±-																				
2 PLC	±-																				
3 PLC	±-																				
4 PLC	±-																				
ANGLES	±1°																				
FINISH																					
MATERIAL -		PRODUCT SPEC -		APVD -		SIZE A2															
		APPLICATION SPEC -		CAGE CODE 00779		DRAWING NO 1102356															
		WEIGHT -		SCALE 1:1		SHEET 1 OF 1															
		CUSTOMER DRAWING		REV A2																	

X-ON Electronics

Largest Supplier of Electrical and Electronic Components

Click to view similar products for [Heavy Duty Power Connectors](#) category:

Click to view products by [TE Connectivity](#) manufacturer:

Other Similar products are found below :

[1424439](#) [1424438](#) [09330062652](#) [2-8675P1](#) [580129-2](#) [605601-1](#) [6340G1](#) [6341G1](#) [6360G1](#) [6373G1](#) [6374g2](#) [6396G1](#) [647757-1](#) [66394-4](#)
[6643411-1](#) [6646058-2](#) [6646137-1](#) [6646138-1](#) [6646348-1](#) [6646479-1](#) [6646608-1](#) [6646786-1](#) [6646940-1](#) [6651091-1](#) [6651525-1](#) [6651529-1](#)
[6651778-1](#) [6651788-1](#) [696465-1](#) [696475-1](#) [73000005059](#) [73000005349](#) [73000005642](#) [73080255059](#) [73080965046](#) [765-15-0080A](#)
[765-16-0080B](#) [789.700-44](#) [789.700-54](#) [80-1010](#) [80-9](#) [827381-1](#) [829992-1](#) [902-77-02113](#) [PL00U-301-10D10](#) [PM103MOOLOO](#)
[PM16S1620S32-50](#) [PM212MOOLOO](#) [PM309FOOLOO](#) [PM324FOOLCH](#)