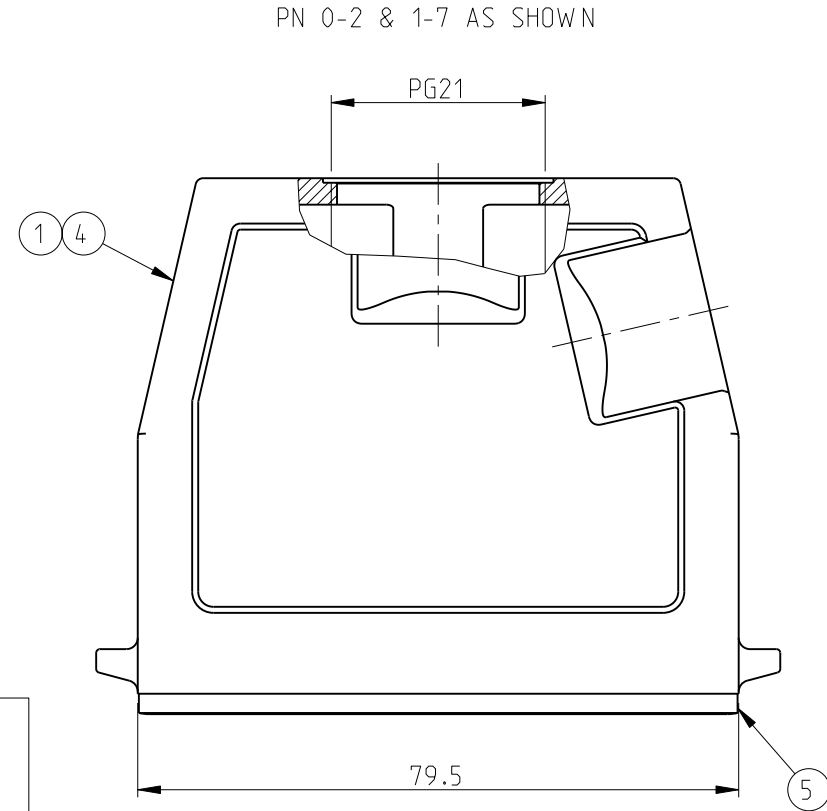
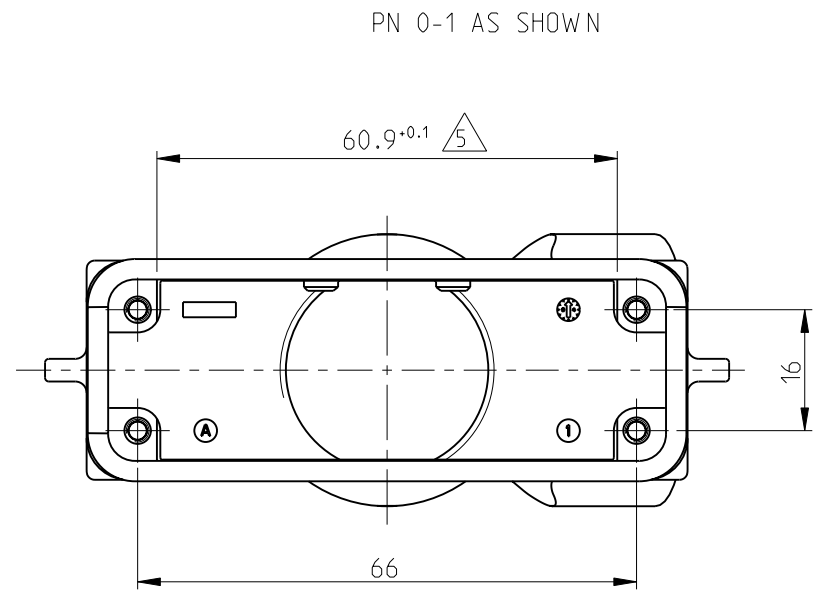
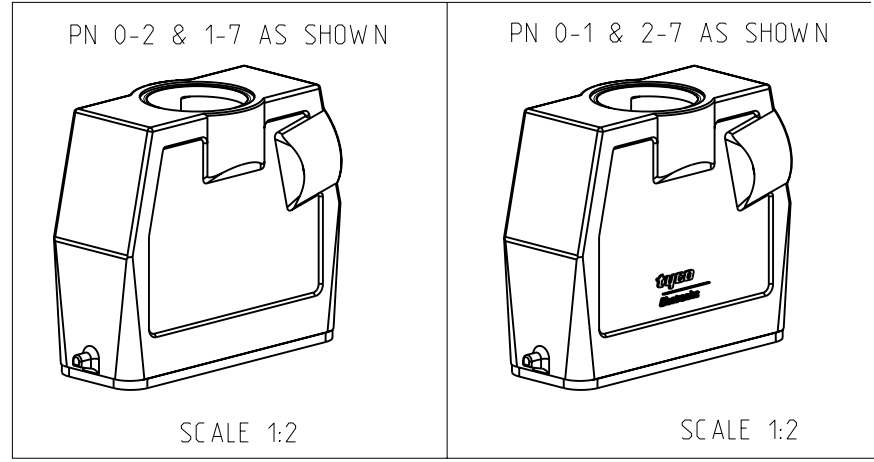
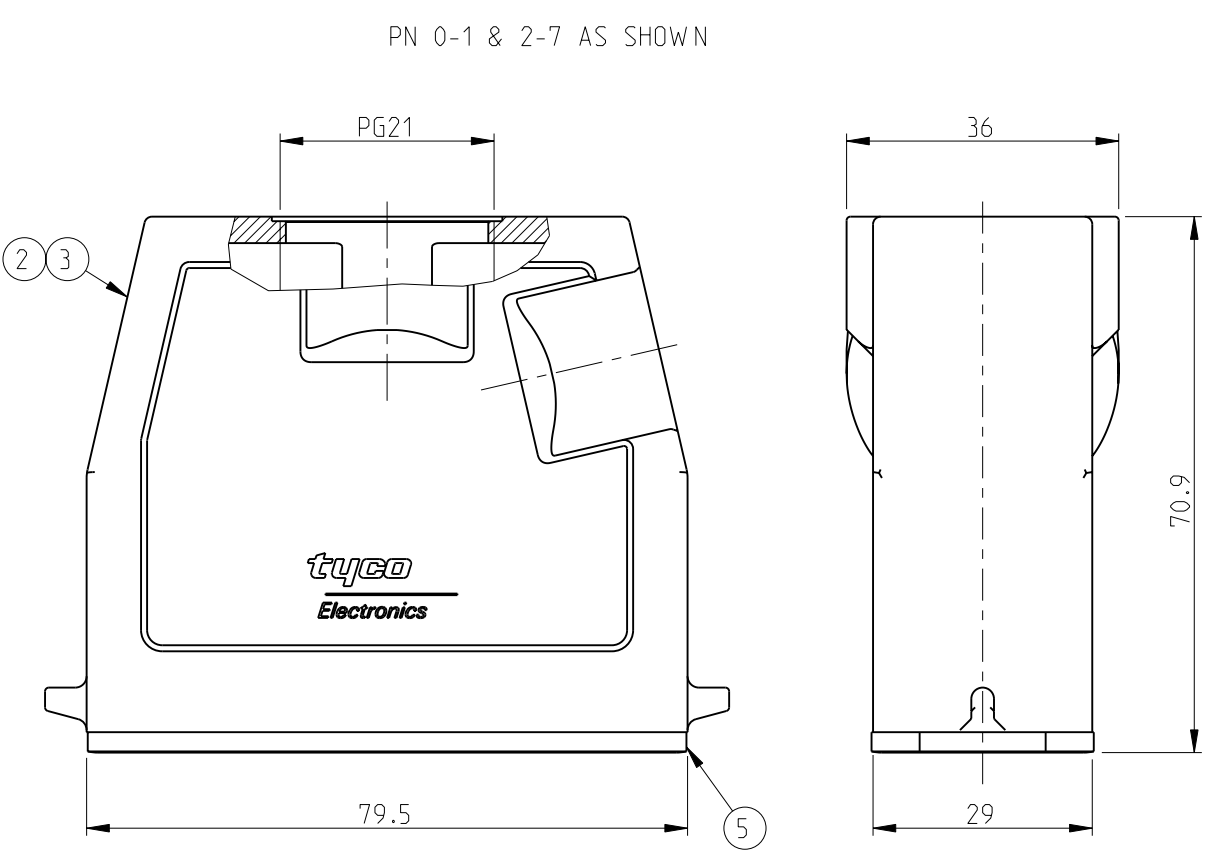


THIS DRAWING IS UNPUBLISHED. RELEASED FOR PUBLICATION 2000  
 © COPYRIGHT 2000 BY TYCO ELECTRONICS CORPORATION. ALL RIGHTS RESERVED.

LOC	DIST	REVISIONS			
P	LTR	DESCRIPTION	DATE	DWN	APVD
A1	-	B2	RELEASED AS PER ECR 09-005170	05-MAR-09	GG TS



- NOTES:
- 1 PACKAGING QUANTITY: 5 PIECES PER BOX
  - 2 MATERIAL: SEE TABLE
  - 3 COLOR: SEE TABLE
  - 4 VARNISH ON THE INSIDE NOT NECESSARY
  - 5 MILLED PLATFORM TO MEASURE 60.9 +0.1 (20mm DEEP) AND WITHOUT INSULATING TAPE



1	2	3	4	DESCRIPTION	MATERIAL	SURFACE	COLOR	ITEM NO	REMARKS
1	1	1	1	PROFILE SEAL	NEOPRENE		BLACK	5	
-	-	1	-	HOOD HD.25-PG THREADS	ALUMINIUM	NEUTRAL	GREY	4	
-	-	-	1	HOOD HD-K.25-PG THREADS	ALUMINIUM	ALUMINIUM OXIDE	BLACK	3	5
1	-	-	-	HOOD HD-K.25-PG THREADS	ALUMINIUM	ALUMINIUM OXIDE	BLACK	2	
-	1	-	-	HOOD HD.25-PG THREADS	ALUMINIUM		GREY	1	
2-7	1-7	0-2	0-1	DESCRIPTION	MATERIAL	SURFACE	COLOR	ITEM NO	REMARKS
ORDERING TEXT									
HD-K.25.STO.1.21.G 5									
HD.25.STO.1.21.G									
HD-K.25.STO.1.21.G									

DIMENSIONS: mm 		TOLERANCES UNLESS OTHERWISE SPECIFIED: 0 PLC ± 1 PLC ± 2 PLC ± 3 PLC ± 4 PLC ± ANGLES ± FINISH 3		DWN S.KUMAR 4/20/2006 CHK P.BENNUR 4/20/2006 APVD T.SCHNURPFEL 4/20/2006 PRODUCT SPEC 108-74009 APPLICATION SPEC 114-74001 WEIGHT -		Tyco Electronics Tyco Electronics.AMP.GmbH 53757,SanktAugustin,Germany		NAME HOOD HD25.STO.1.21.G		RESTRICTED TO -			
MATERIAL 2				CUSTOMER DRAWING				SCALE 1:1		SHEET 1 OF 1		REV B2	

## X-ON Electronics

Largest Supplier of Electrical and Electronic Components

*Click to view similar products for [Heavy Duty Power Connectors](#) category:*

*Click to view products by [TE Connectivity](#) manufacturer:*

Other Similar products are found below :

[1424439](#) [1424438](#) [09330062652](#) [2-8675P1](#) [580129-2](#) [605601-1](#) [6340G1](#) [6341G1](#) [6360G1](#) [6373G1](#) [6374g2](#) [6396G1](#) [647757-1](#) [66394-4](#)  
[6643411-1](#) [6646058-2](#) [6646137-1](#) [6646138-1](#) [6646348-1](#) [6646479-1](#) [6646608-1](#) [6646786-1](#) [6646940-1](#) [6651091-1](#) [6651525-1](#) [6651529-1](#)  
[6651778-1](#) [6651788-1](#) [696465-1](#) [696475-1](#) [73000005059](#) [73000005349](#) [73000005642](#) [73080255059](#) [73080965046](#) [765-15-0080A](#)  
[765-16-0080B](#) [789.700-44](#) [789.700-54](#) [80-1010](#) [80-9](#) [827381-1](#) [829992-1](#) [902-77-02113](#) [PL00U-301-10D10](#) [PM103MOOLOO](#)  
[PM16S1620S32-50](#) [PM212MOOLOO](#) [PM309FOOLOO](#) [PM324FOOLCH](#)