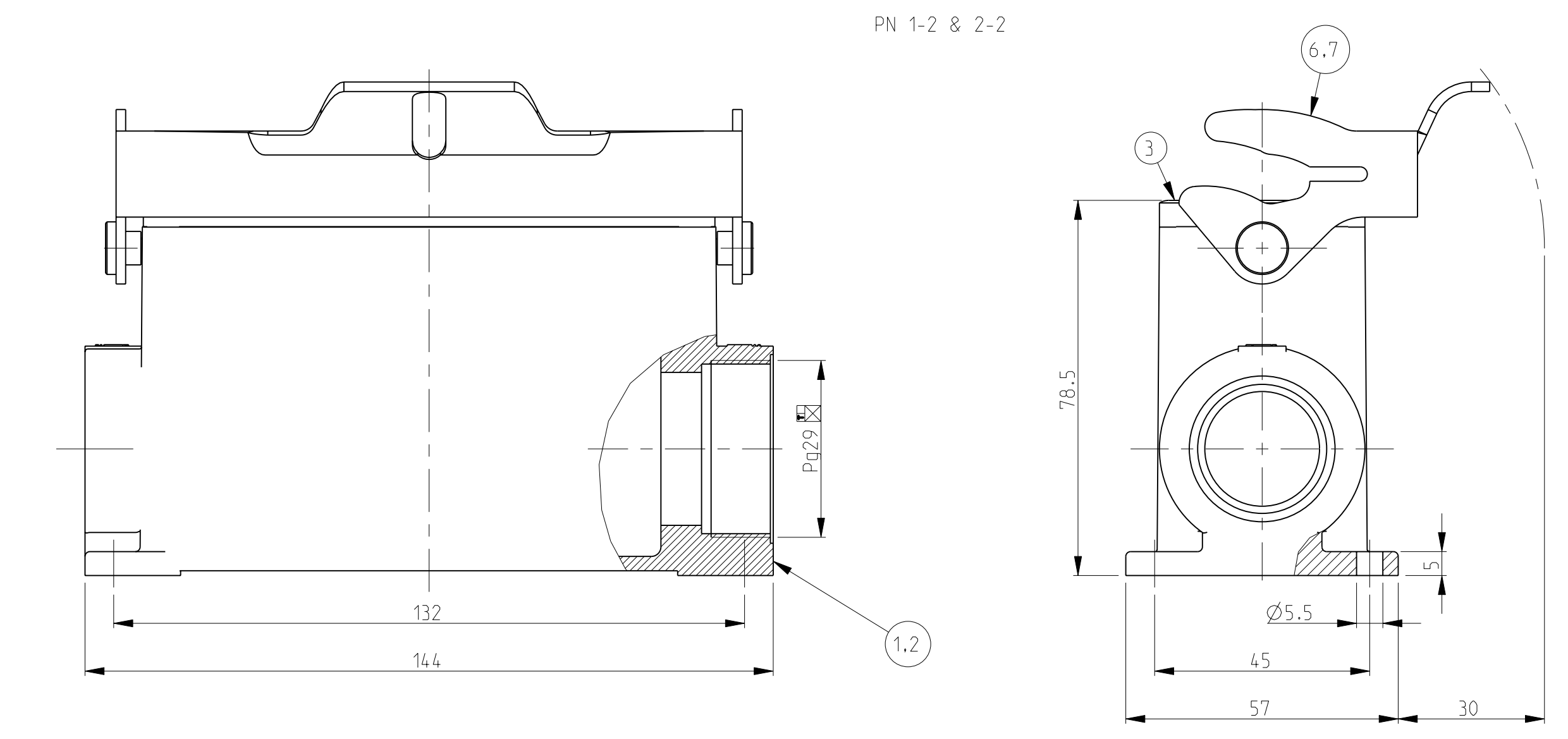
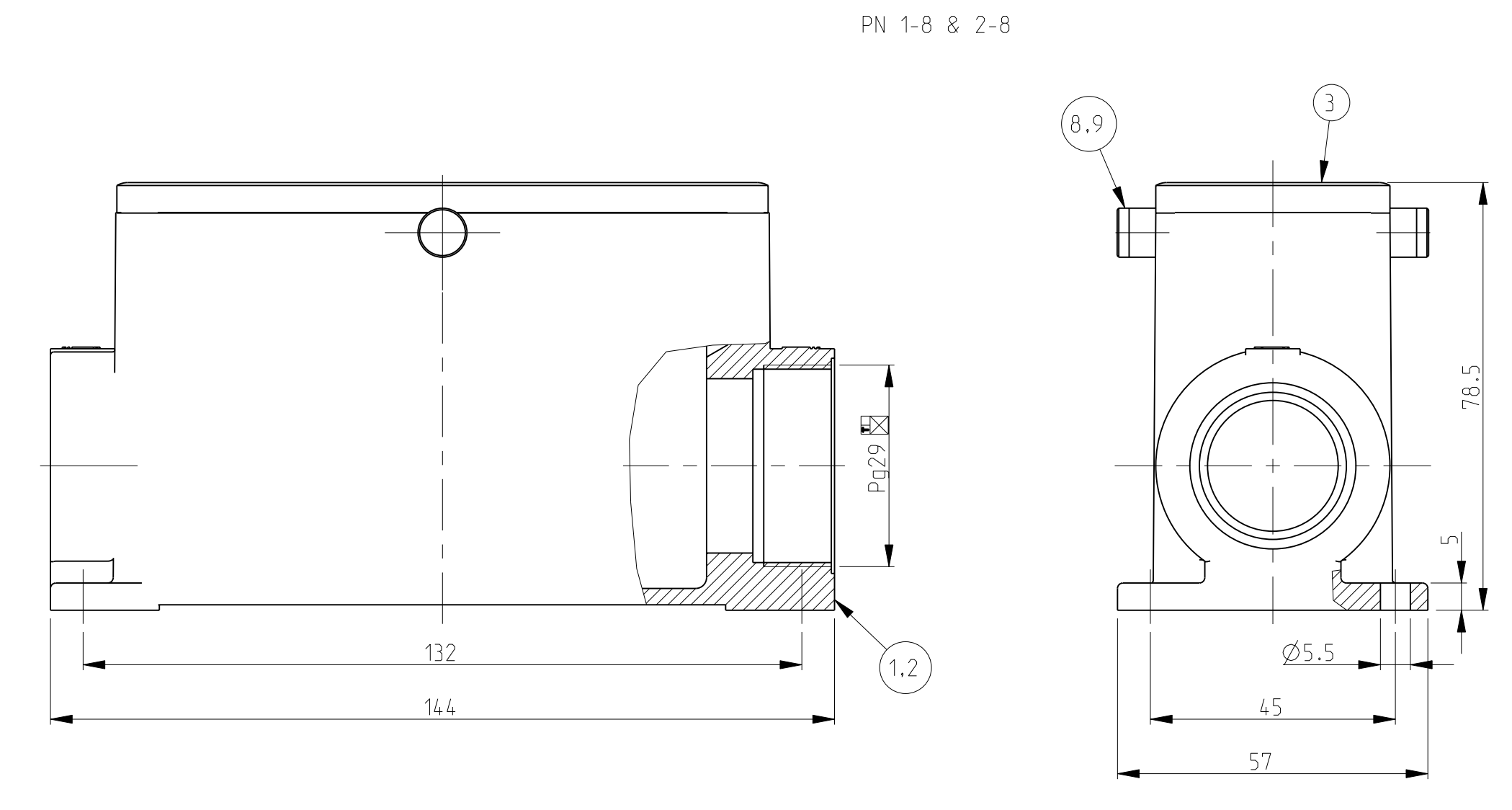
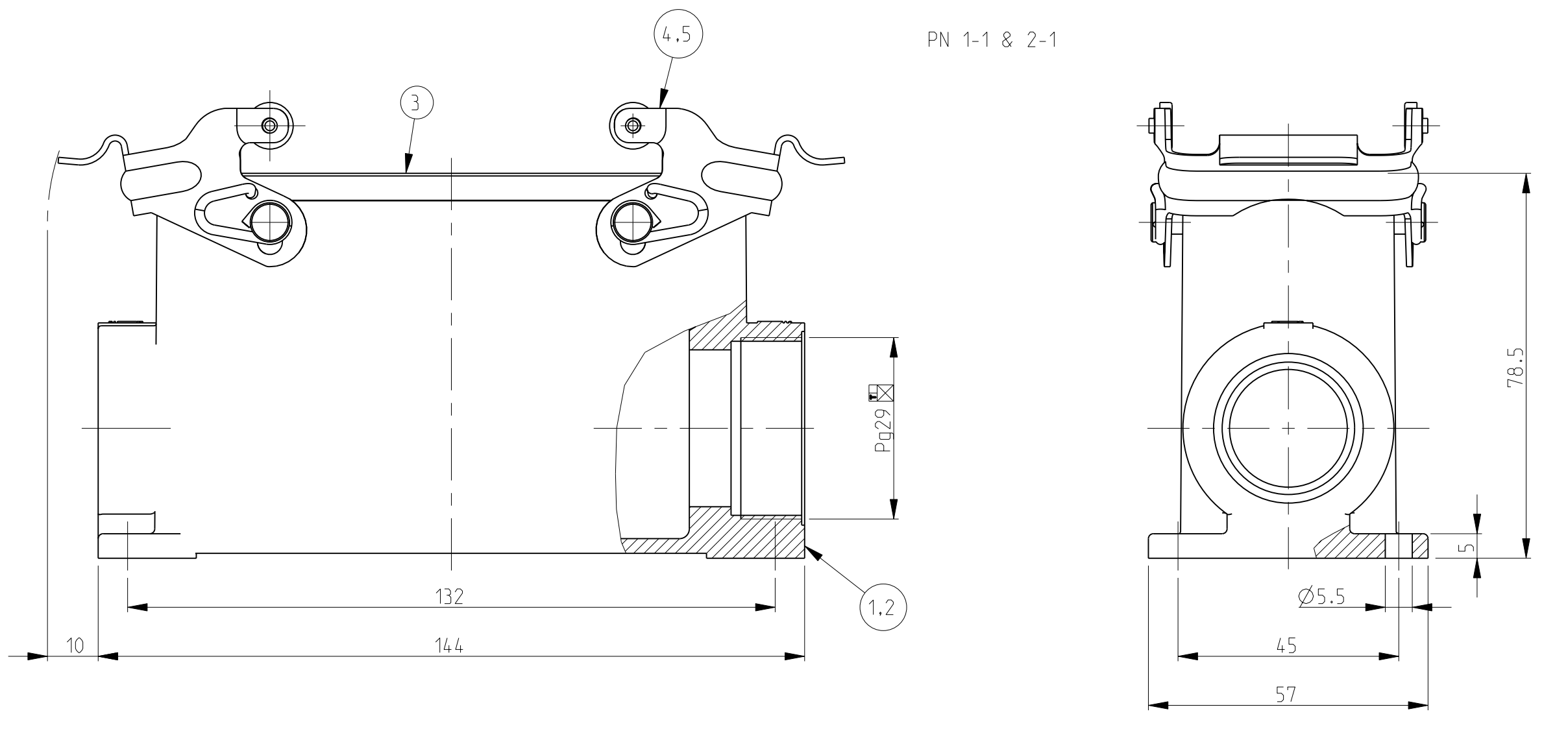
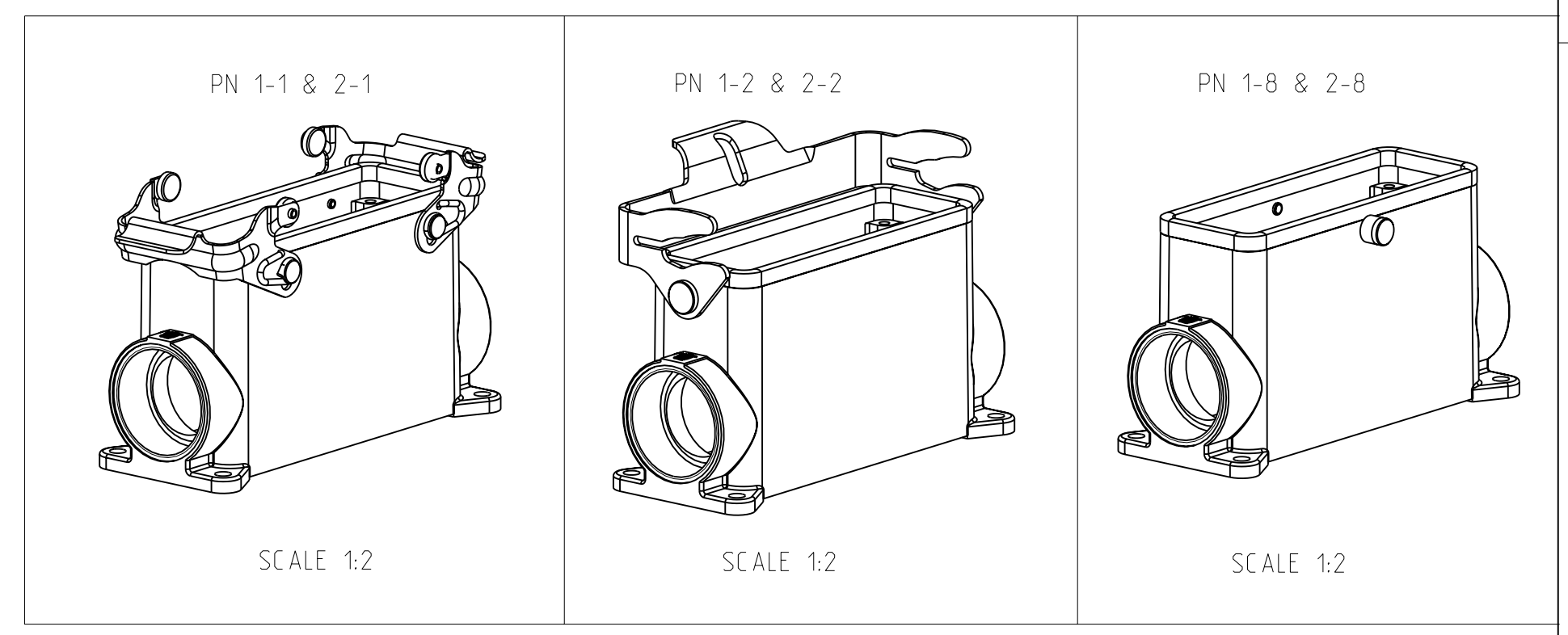


LOC	DIST	REV	DATE	DWN	APVD
A1	-				
A2		Released as per ECR-08-017219	09.July.2008	SP	TS



- NOTES.
- 1 Material:Housing:Aluminium Diecasting Alloy
Seals:Neoprene
 - 2 Surface:Varnish grey
-Aluminium Oxide +Zinc plated
 - 3 Varnish on the inside not necessary
 - 4 Packaging
Quantity 5 Pieces in a box



QTY	DESCRIPTION	MATERIAL	SURFACE	COLOR	ITEM NO	REMARKS
2	ZB-Clip bolt	Stainless steel			9	
2	ZB-Clip bolt	Steel	Zinc plaetd	Blue	8	
1	LB-Side Clip	Stainless steel			7	
1	LB-Side Clip	Steel	Zinc plaetd	Blue	6	
2	VS-Locking Clip	Stainless steel			5	
2	VS-Locking Clip	Steel	Zinc plaetd	Blue	4	
1	Profile seal	Neoprene		Black	3	
1	Surface mounted housing side entry HD.64.Pg.1.29	Aluminium	Aluminium oxide	Black	2	
1	Surface mounted housing side entry HD.64.Pg.1.29	Aluminium		Grey	1	

ORDERING TEXT

HD-.64.SG-VS.1.29.Z

HD-K.64.SG-VS.1.29.Z

HD-.64.SG-LB.1.29.Z

HD-K.64.SG-LB.1.29.Z

HD-Z.64.SG-ZVGR.1.29.Z

HD-K/Z.64.SG-ZVGR.1.29.Z

DIMENSIONS: mm		TOLERANCES UNLESS OTHERWISE SPECIFIED: mm		DWN: Schneider 30.09.03	Tyco Electronics AMP GmbH	
MATERIAL: -		FINISH: -		CHE: Schneider 30.09.03	D-53819,Neunkirchen,Germany	
PRODUCT SPEC: -		APPLICATION SPEC: -		NAME: Surface mounted housing HD.64.1.29.Z		
WEIGHT: -		CUSTOMER DRAWING: -		SIZE: A1	CAGE CODE: 00779	DRAWING NO: C=1103350
SCALE: 1:1		SHEET: 1 OF 1		REV: A2		

X-ON Electronics

Largest Supplier of Electrical and Electronic Components

Click to view similar products for [Headers & Wire Housings](#) category:

Click to view products by [TE Connectivity](#) manufacturer:

Other Similar products are found below :

[95000-104TRLF](#) [10135584-644402LF](#) [DF62W-EP2022PCA](#) [95000-106TRLF](#) [DF62W-2022SCA](#) [DF62W-EP2022PC](#) [2203348](#) [DF62W-2022SC](#) [1084018](#) [1029039](#) [1084017](#) [802-10-012-10-002000](#) [1112640](#) [1112639](#) [891-007-9SS-BST1T](#) [000-34000](#) [0008550134](#) [0009482033](#) [0009507031](#) [57102-F02-18ULF](#) [57102-S06-03LF](#) [57202-S52-04LF](#) [PCN6-15S-2.5E](#) [0039019024](#) [58102-G61-06LF](#) [582553-1](#) [0009485154](#) [0009508121](#) [0022285053](#) [0050291907](#) [018731A](#) [LY20-4P-DT1-P1E-BR](#) [02.125.8002.8](#) [60101931](#) [60598-1 \(Cut Strip\)](#) [M1625-3R/100](#) [61062-3](#) [61082-181009](#) [CSU011177004](#) [636-1427](#) [638009-1](#) [641938-9](#) [641991-4](#) [644168-1](#) [644827-2](#) [647662-1](#) [65039-019ELF](#) [65692-001LF](#) [65781-018](#) [65781-047](#)