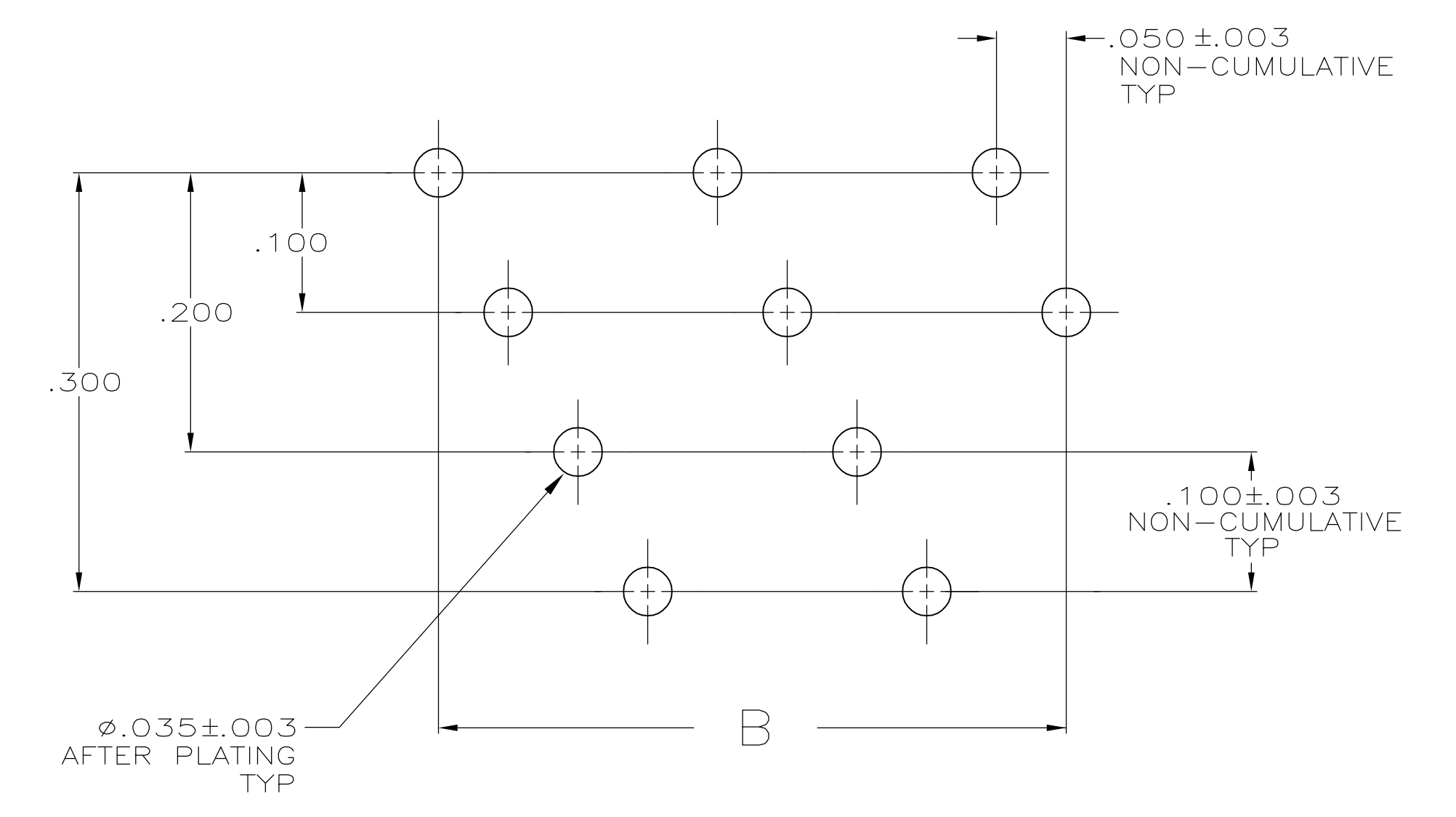
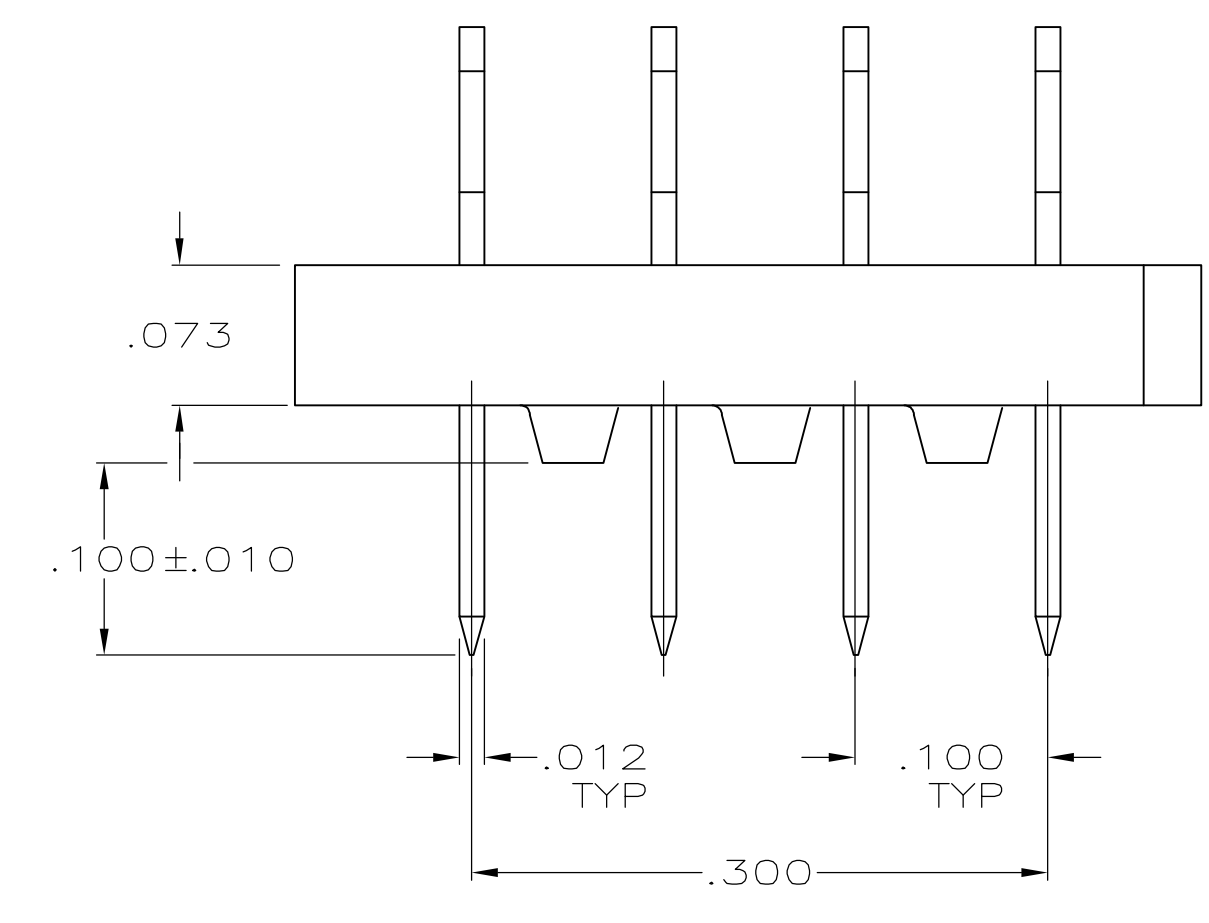
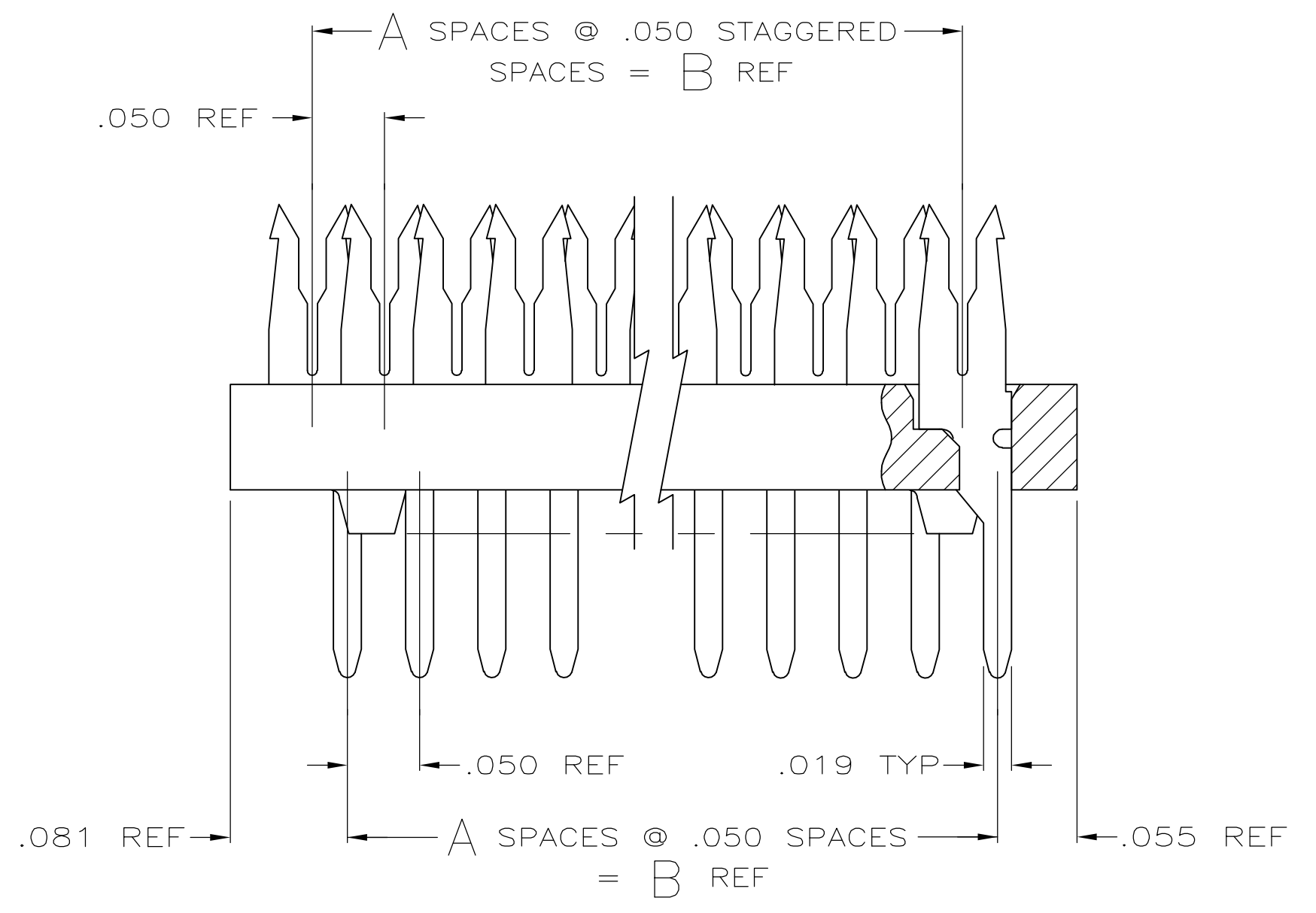


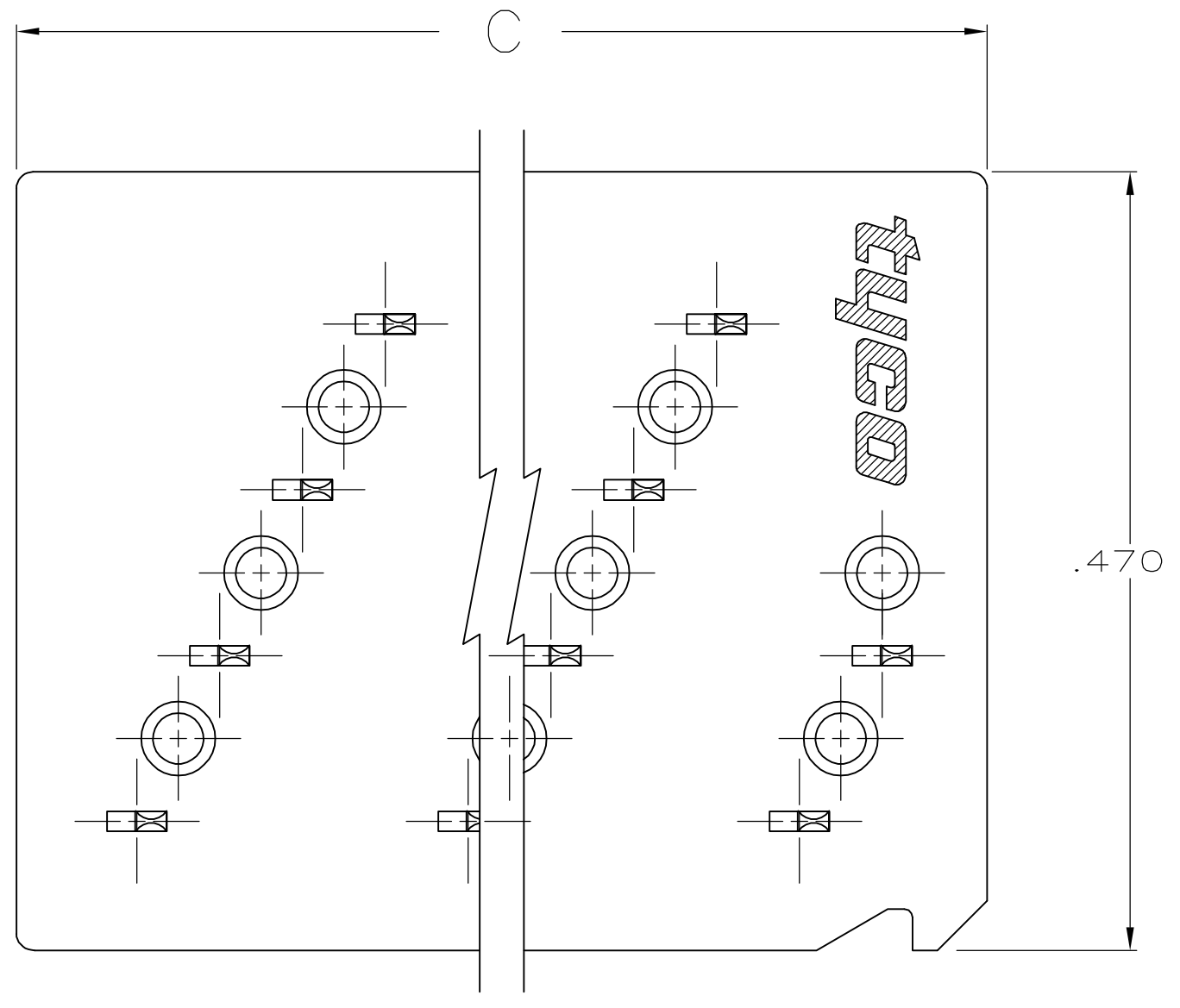
LOC	DIST	REVISIONS				
DF	FO	REV	PER	DATE	BY	APPD
F	REV PER	OH14-0903-04		04-05	AA	DH

- ALL PARTS ASSEMBLED BY TYCO ELECTRONICS CORP.
- STANDOFFS: POSN 10 (8) STANDOFFS AS SHOWN.
 POSN 14 (11) STANDOFFS, 3 PER DIAGONAL ROW.
 POSN 18 (14) STANDOFFS, 3 PER DIAGONAL ROW.
 POSN 22 (17) STANDOFFS, 3 PER DIAGONAL ROW.
 POSN 26 (20) STANDOFFS, 3 PER DIAGONAL ROW.
 POSN 30 (23) STANDOFFS, 3 PER DIAGONAL ROW.
 POSN 34 (26) STANDOFFS, 3 PER DIAGONAL ROW.
 POSN 38 (29) STANDOFFS, 3 PER DIAGONAL ROW.
 POSN 42 (32) STANDOFFS, 3 PER DIAGONAL ROW.
 POSN 46 (35) STANDOFFS, 3 PER DIAGONAL ROW.
 POSN 50 (38) STANDOFFS, 3 PER DIAGONAL ROW.
 POSN 54 (41) STANDOFFS, 3 PER DIAGONAL ROW.
 POSN 58 (44) STANDOFFS, 3 PER DIAGONAL ROW.

- FLAME RETARDANT, 94 V-0 RATED, GLASS FILLED, NYLON OR POLYESTER, COLOR: BLACK.
- FINISH: BRIGHT TIN-LEAD .000100-.000200 THK OVER NICKEL .000050 MIN THK.
- FINISH: BRIGHT TIN .000100-.000200 THK OVER NICKEL .000050 MIN THK.



RECOMMENDED HOLE LAYOUT



△5	2.586	2.450	49	50	6-111360-1	
△5	1.786	1.650	33	34	5-111360-7	
△5	1.386	1.250	25	26	5-111360-5	
△5	.786	.650	13	14	5-111360-2	
△5	.586	.450	9	10	5-111360-1	
OBSOLETE	△4	2.986	2.850	57	58	1-111360-3
OBSOLETE	△4	2.786	2.650	53	54	1-111360-2
	△4	2.586	2.450	49	50	1-111360-1
OBSOLETE	△4	2.386	2.250	45	46	1-111360-0
OBSOLETE	△4	2.186	2.050	41	42	111360-9
OBSOLETE	△4	1.986	1.850	37	38	111360-8
	△4	1.786	1.650	33	34	111360-7
OBSOLETE	△4	1.586	1.450	29	30	111360-6
	△4	1.386	1.250	25	26	111360-5
OBSOLETE	△4	1.186	1.050	21	22	111360-4
OBSOLETE	△4	.986	.850	17	18	111360-3
	△4	.786	.650	13	14	111360-2
	△4	.586	.450	9	10	111360-1
FINISH	C	B	A	NO OF POSN	PART NUMBER	

THIS DRAWING IS A CONTROLLED DOCUMENT.

DIMENSIONS: INCHES	TOLERANCES UNLESS OTHERWISE SPECIFIED:	DWG: S. WELDON 23-FEB-86	CHK: W. LENKER 23-FEB-86	APVD: W. VISSELLI 24-FEB-86	NAME: ASSEMBLY, PADDLEBOARD, SHORT END .100 LONG POSTS, FULL TIN PLATED CONTACTS AMP-LATCH
0 PLC ± -	1 PLC ± -	2 PLC ± -	3 PLC ± .005	4 PLC ± -	ANGLES ± 0°30'
MATERIAL MOLDED PARTS: △3	CONTACTS △4	FINISH	WEIGHT	SIZE: A1	CAGE CODE: 00779
CONTACTS PH BRZ PER QQ-B-750				DRAWING NO: 111360	RESTRICTED TO: -
CUSTOMER DRAWING				SCALE: 10:1	SHEET: 1 of 1

THIS DRAWING IS UNPUBLISHED. RELEASED FOR PUBLICATION - N/A.
 COPYRIGHT N/A BY TYCO ELECTRONICS CORPORATION. ALL RIGHTS RESERVED.

X-ON Electronics

Largest Supplier of Electrical and Electronic Components

Click to view similar products for [Headers & Wire Housings](#) category:

Click to view products by [TE Connectivity](#) manufacturer:

Other Similar products are found below :

[95000-104TRLF](#) [10135584-644402LF](#) [DF62W-EP2022PCA](#) [95000-106TRLF](#) [DF62W-2022SCA](#) [DF62W-EP2022PC](#) [2203348](#) [DF62W-2022SC](#) [1084018](#) [1029039](#) [1084017](#) [802-10-012-10-002000](#) [1112640](#) [1112639](#) [891-007-9SS-BST1T](#) [000-34000](#) [0008550134](#) [0009482033](#) [0009507031](#) [57102-F02-18ULF](#) [57102-S06-03LF](#) [57202-S52-04LF](#) [PCN6-15S-2.5E](#) [0039019024](#) [58102-G61-06LF](#) [582553-1](#) [0009485154](#) [0009508121](#) [009176003701906](#) [0022285053](#) [0050291907](#) [018731A](#) [LY20-4P-DT1-P1E-BR](#) [02.125.8002.8](#) [60101931](#) [60598-1 \(Cut Strip\)](#) [M1625-3R/100](#) [61062-3](#) [61082-181009](#) [CSU011177004](#) [636-1427](#) [638009-1](#) [641938-9](#) [641991-4](#) [644168-1](#) [644827-2](#) [647662-1](#) [65039-019ELF](#) [65692-001LF](#) [65781-018](#)