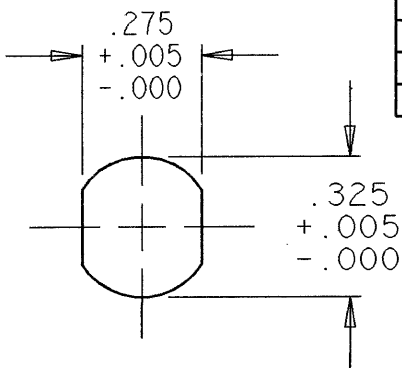
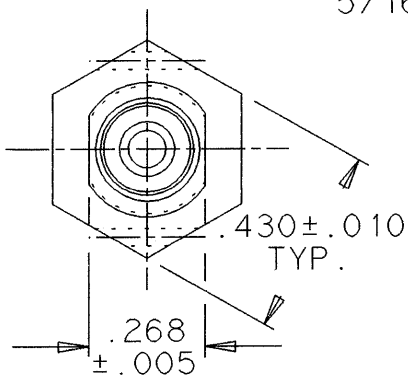


REVISIONS			
LTR	DESCRIPTION	DATE	APPROVED
B	COMBINED AND REDRAWN ON CAD PER ECN# T-16567	91 AUG 8	Z. TEMAN
C	REVISED PER ECN# T-16795	91 OCT 9	35

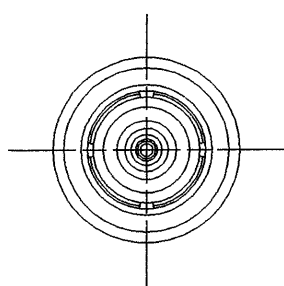


JACK MOUNTING HOLE
(PREFERED)

JACK ASSEMBLY: D-621-0212

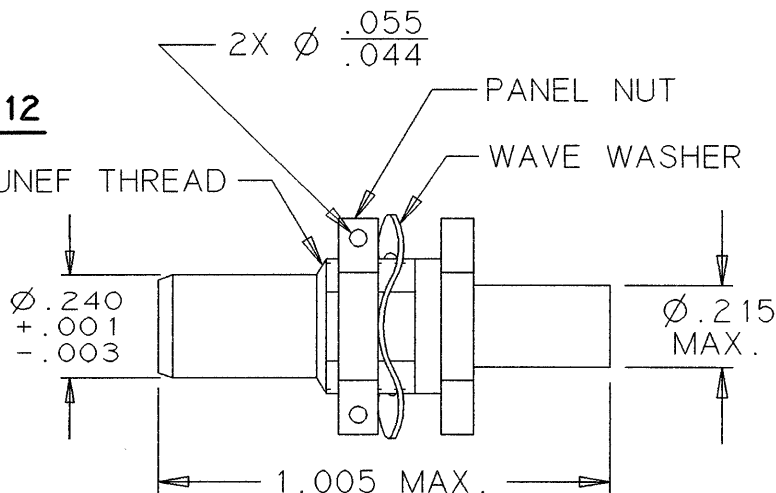


PLUG ASSEMBLY: D-621-0211



INTERFACIAL SEAL

Ø .42
NOM.



PANEL NUT

WAVE WASHER

5/16-32 UNEF THREAD

Ø .240
+.001
-.003

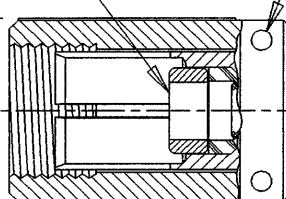
Ø .215
MAX.

1.005 MAX.

2X Ø .047 ± .005
SAFETY WIRE HOLE

RETAINING RING

HOUSING BODY



Ø .215 MAX.

1.16 MAX.

SPECIFICATION CONTROL DRAWING © Raychem Corporation 1991

UNLESS OTHERWISE SPECIFIED
DIMENSIONS ARE IN INCHES.
METRIC DIMENSIONS ARE
IN BRACKETS.

DECIMALS

.XXX ± — [— mm]
.XX ± — [— mm]

ANGLES

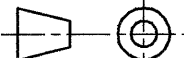
.X ± —

WEIGHT

— lbs [— g]

DRAWN	terry	86 MAR 31
REDRAWN	J.B.K.	91 AUG 5
APPROVED		
APPROVED	Z. TEMAN	91 AUG 8
CAD NAME	009110-1	

THIRD ANGLE
PROJECTION



Raychem

RAYCHEM CORPORATION
300 CONSTITUTION DRIVE
MENLO PARK, CALIFORNIA 94025

TITLE
**CONNECTOR, TRIAXIAL,
SUBMINIATURE,
THREADED COUPLE
(WITH INTERFACIAL SEAL SERIES)**

SIZE	CODE IDENT. NO.	DWG. NO.	REV
A	06090	D-621-0211/0212	C

DO NOT SCALE THIS DRAWING

SHEET 1 OF 2

ORIGINAL DOCUMENT

SPECIFICATIONS

1.0 MATERIALS AND FINISHES

- 1.1 HOUSING BODY (PLUG): BRASS ALLOY PER ASTM B16,
TIN PLATED PER MIL-T-10727 TYPE I,
OVER NICKEL PER MIL-C-26074
- (JACK): BeCu ALLOY, ASTM B196, TB00 OR TD04,
TIN PLATED PER MIL-T-10727 TYPE I,
OVER NICKEL PER MIL-C-26074
- 1.1.1 INSULATION (MIP): POLYETHERSULFONE
- 1.2 COUPLING NUT (PLUG): BRASS ALLOY PER ASTM B16,
NICKEL PLATED PER QQ-N-290
- 1.3 PANEL NUT (JACK): BRASS ALLOY PER ASTM B16,
NICKEL PLATED PER QQ-N-290
- 1.4 WAVE WASHER (JACK): SPRING STEEL OR BeCu,
NICKEL PLATED PER QQ-N-290
- 1.5 INTERFACIAL SEAL: SILICONE RUBBER

2.0 CONTACTS

THE CONNECTORS WILL ACCOMMODATE THE FOLLOWING RAYCHEM CONTACTS:

CABLE TYPE	TRIAxIAL	TWINAXIAL	COAXIAL
CONTACT(S)	D-602-44 (PIN) D-602-45 (SOCKET)	D-602-0126 (PIN) D-602-0127 (SOCKET)	D-610-09 (PIN) D-610-10 (SOCKET)

3.0 SEE ES61162 FOR CABLE ACCOMODATION AND TERMINATION INFORMATION.
ANY OTHER APPLICATIONS SHOULD BE SUBMITTED TO RAYCHEM FOR EVALUATION.

4.0 PERFORMANCE REQUIREMENTS

4.1 REFER TO RAYCHEM SPECIFICATION D-6025 FOR PRODUCT PERFORMANCE AND
QUAILIFICATION REQUIREMENTS.

5.0 GENERAL CHARACTERISTICS

- 5.1 OPERATING TEMPERATURE: -65°C TO 125°C
- 5.2 INSULATION RESISTANCE: GREATER THAN 5K MEG
- 5.3 DIELECTRIC STRENGTH: 900 VAC @ 60 Hz
- 5.4 CURRENT RATING: 3 AMPS MAX.
- 5.5 CONTACT RESISTANCE: INITIAL: 8 MILLIOHMS MAX.
- 5.6 MATING COUPLING TORQUE: 10 INCH/LBS MAX.
- 5.7 PANEL NUT TORQUE (JACK): 10-15 INCH/LBS (WHEN INSTALLING IN PANEL)
- 5.8 INSERTION FORCE: 3 LBS MAX.
- 5.9 WITHDRAWAL FORCE: 1 OUNCE MAX.
- 5.10 CONTACT RETENTION TERMINATED: 20 LBS MIN.
- 5.11 DURABILITY: 500 CYCLES

CAD NAME: 009110-2	DRAWN	J. B. K.	91 AUG 5	SIZE	CODE IDENT. NO.	DWG. NO.	REV
	ISSUED			A	06090	D-621-0211/0212	C
DO NOT SCALE THIS DRAWING						SHEET 2 OF 2	

X-ON Electronics

Largest Supplier of Electrical and Electronic Components

Click to view similar products for [Rack & Panel Connectors](#) category:

Click to view products by [TE Connectivity](#) manufacturer:

Other Similar products are found below :

[00170420102](#) [00171420202](#) [00171440002](#) [008026165000265](#) [00-8219-072-000-112P44](#) [008219072000112P5](#) [008219072000112P61](#) [00-8223-096-580-102](#) [02-014-013-5200-000](#) [00-8129-015-610-108](#) [613467-000](#) [CTJ112E01E-513](#) [CTJ116E03A-513](#) [CTJ720E01B-513 L/C](#) [M81714/63-22S L/C](#) [M81714/65-12-1](#) [66020-2](#) [CW8958-000](#) [699886-000](#) [D250-50632](#) [70.400.3240.0](#) [70.955.2453.3](#) [733753-000](#) [F22831-000](#) [780-522-DPX34RG8-02](#) [MMA25-0051R1](#) [MMA25-0341D1](#) [8660-501](#) [87.060.0053.0](#) [900709N001](#) [QRP4-12P-C\(01\)](#) [QR/P6-6S-C\(01\)](#) [AC-600003-004](#) [1218600-1](#) [D-659-0061](#) [DMC-MD 24 C-T](#) [1-445717-6](#) [1484398-2](#) [1484399-2](#) [1484469-2](#) [MR-34MG](#) [1484225-1](#) [1484398-1](#) [1484510-4](#) [1604997-2](#) [1663130-1](#) [1663767-7](#) [1663767-8](#) [MTC100-BF1-P31CS015](#) [MTC100-KT2-0083](#)