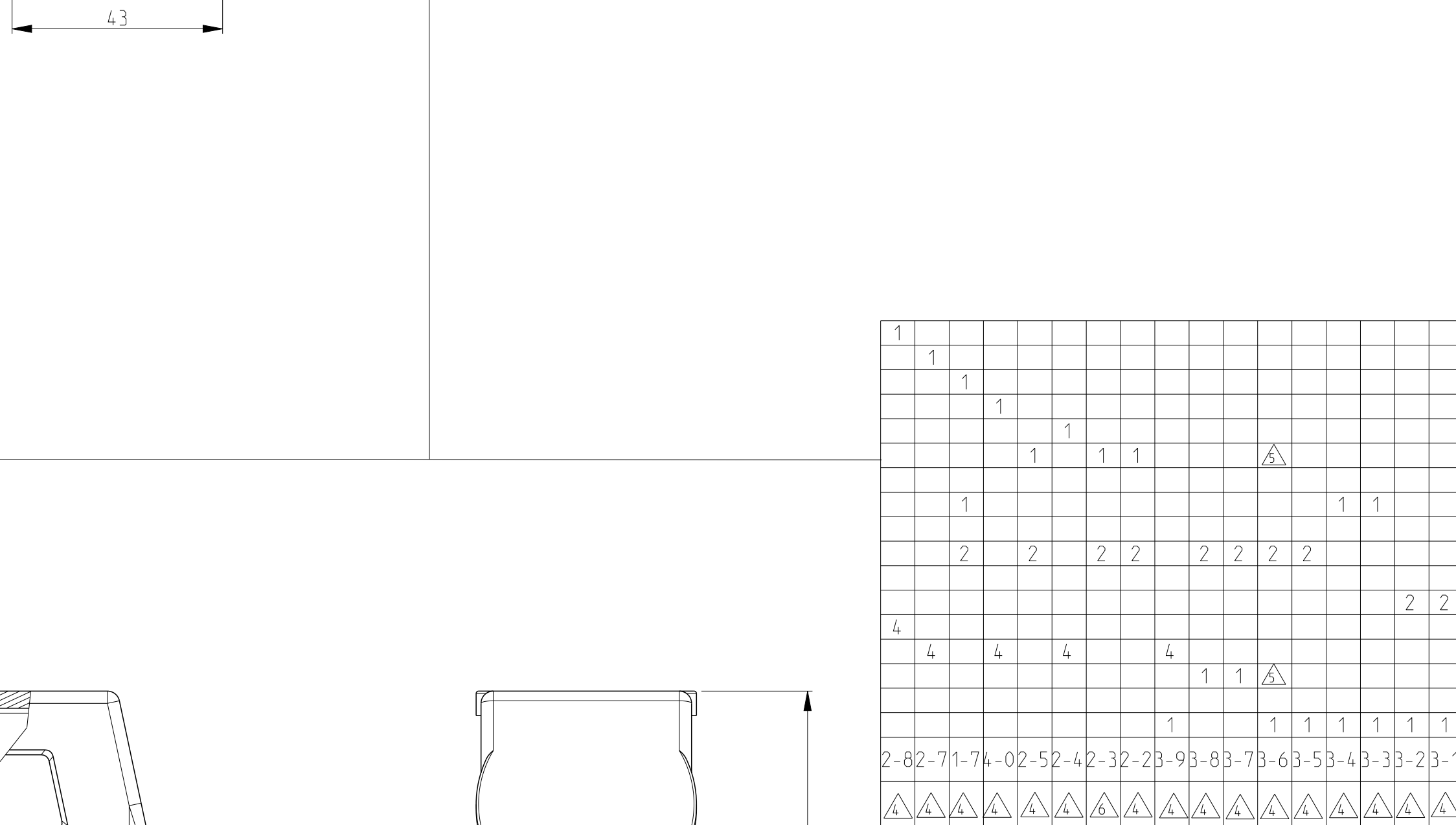
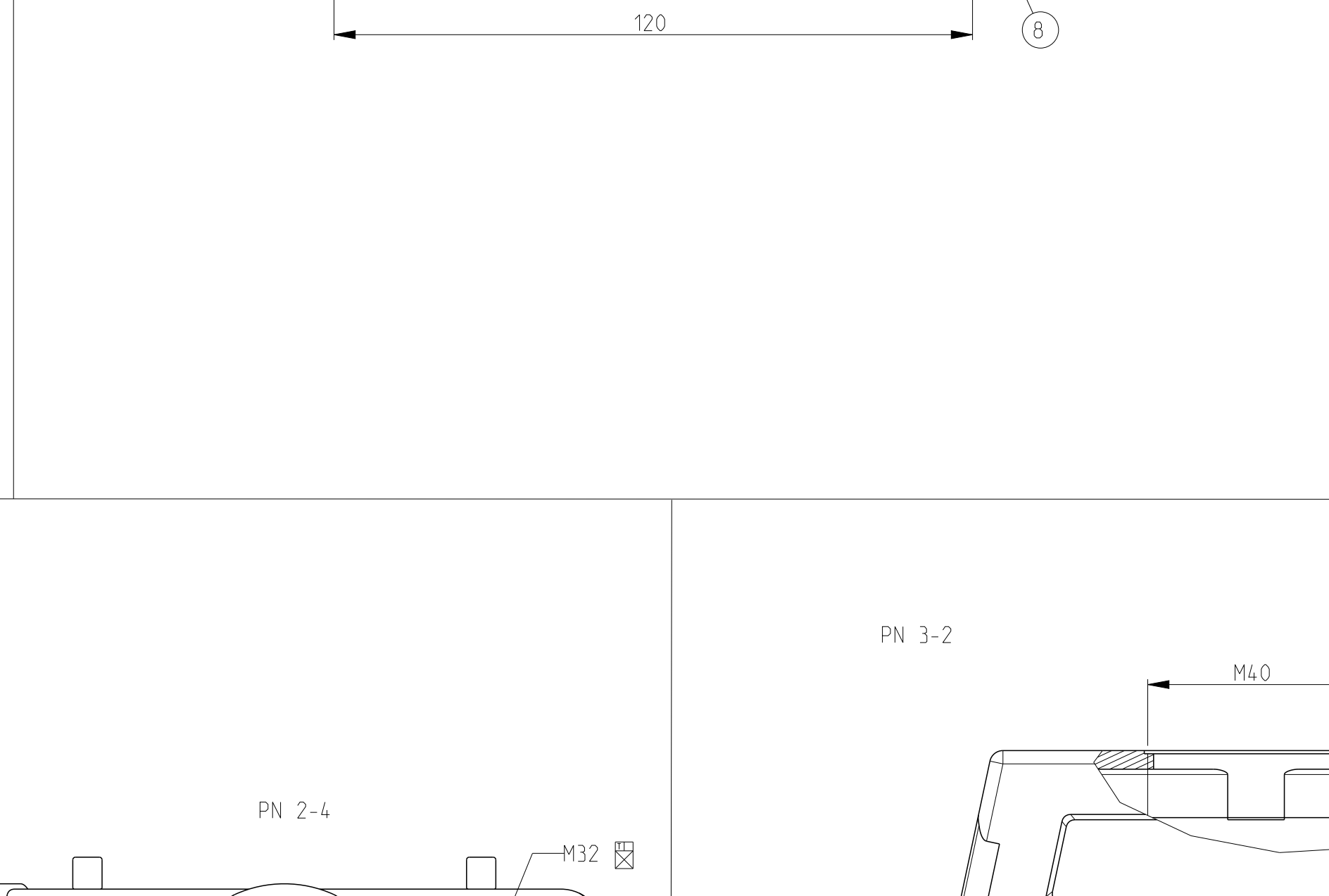
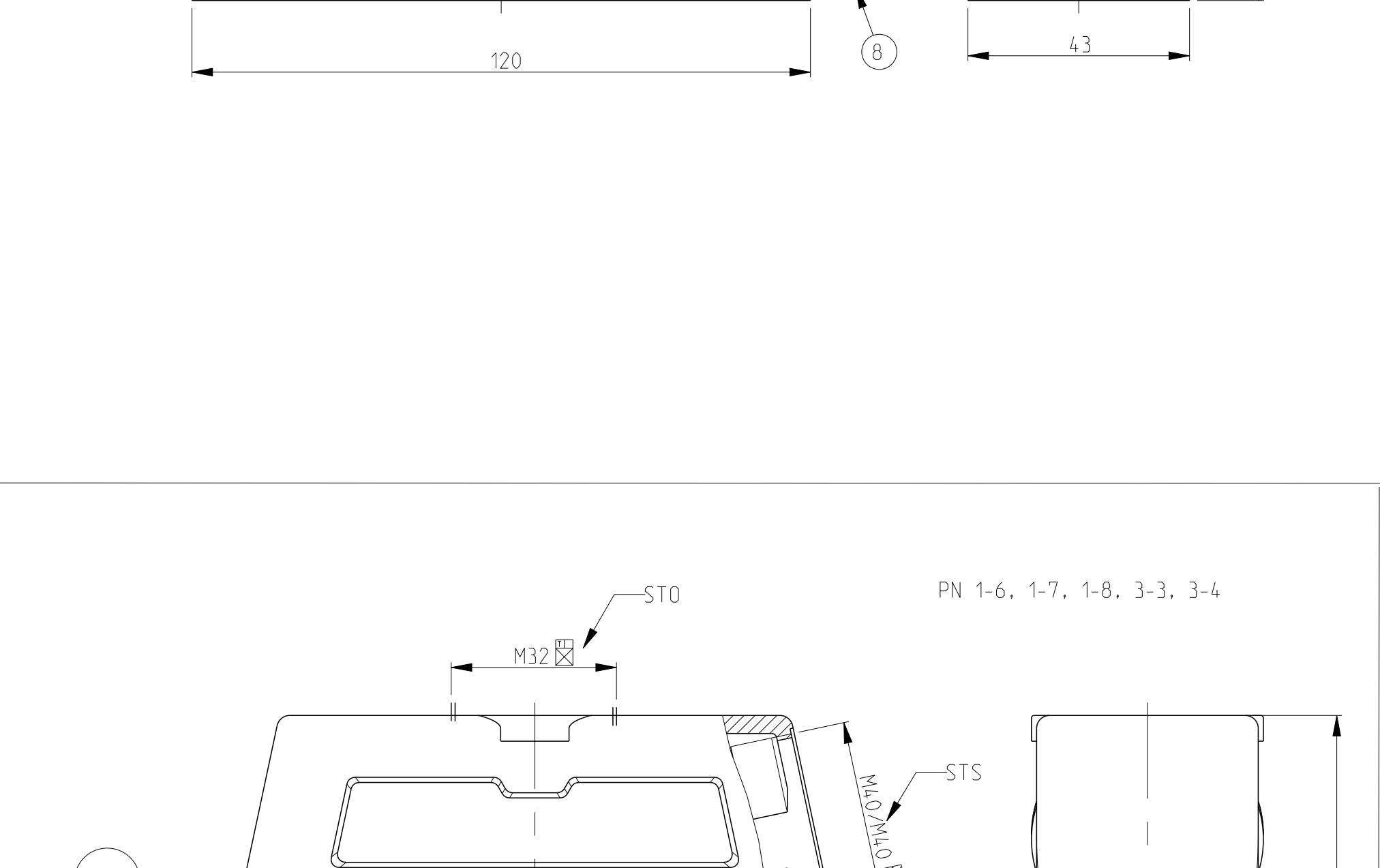
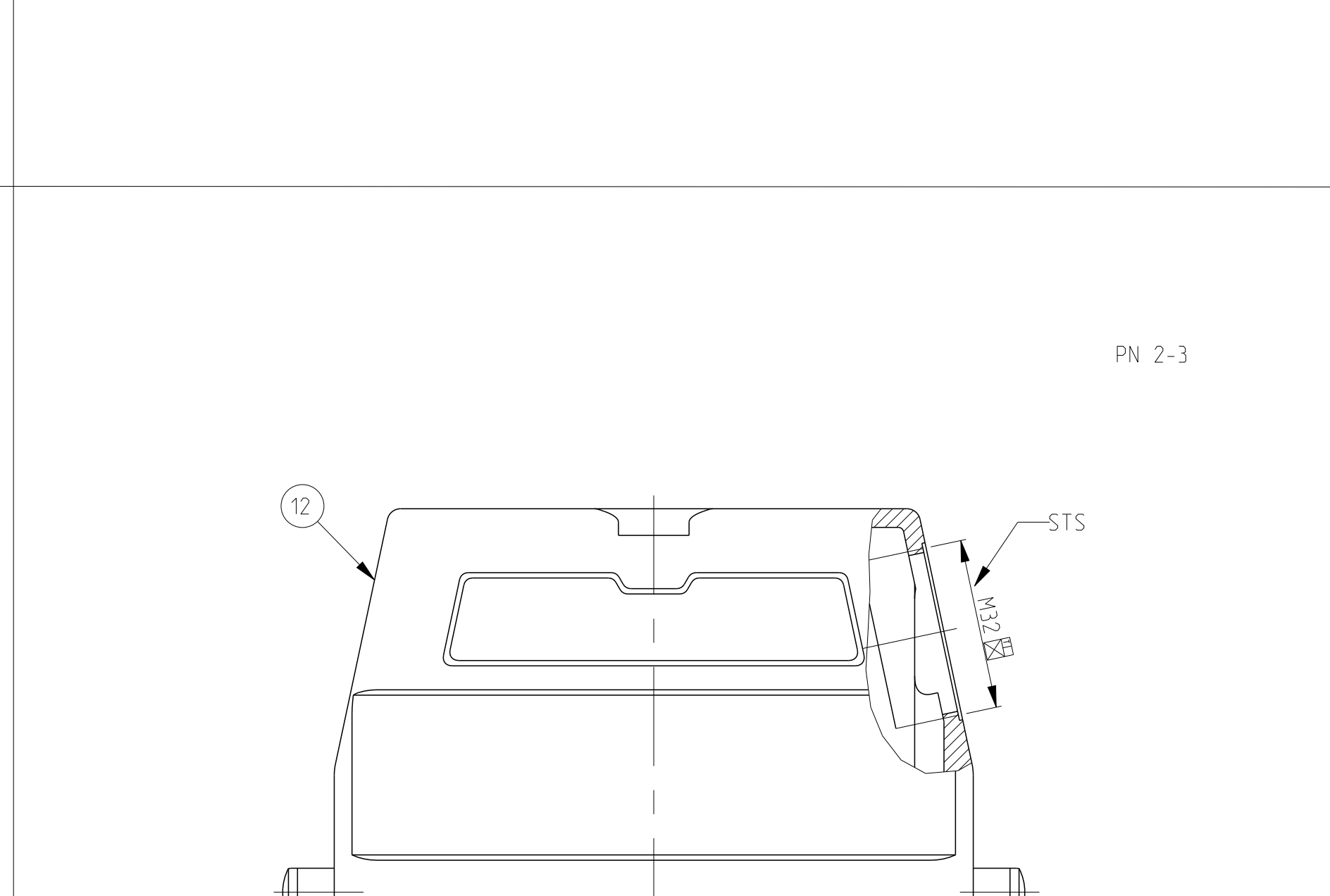
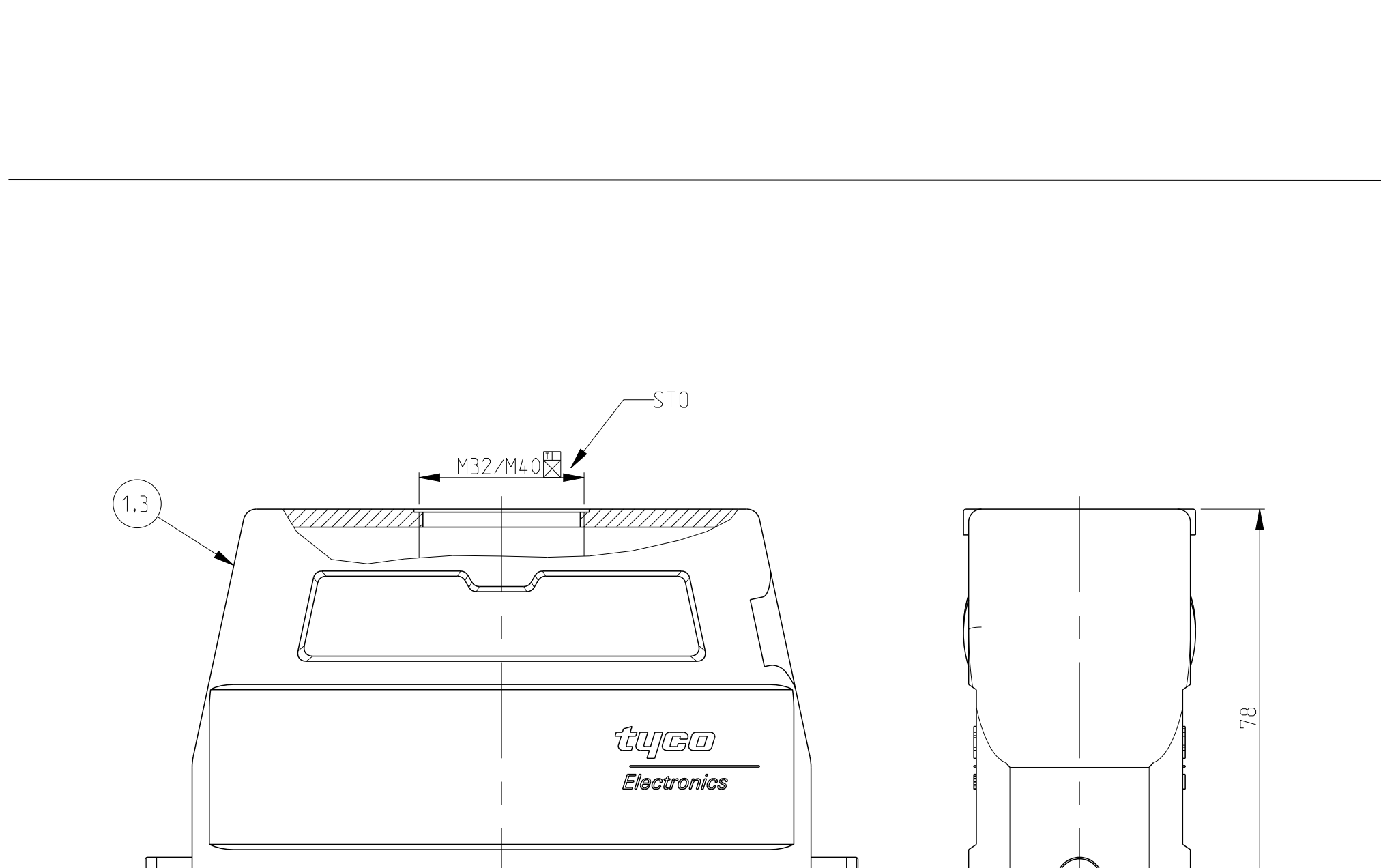
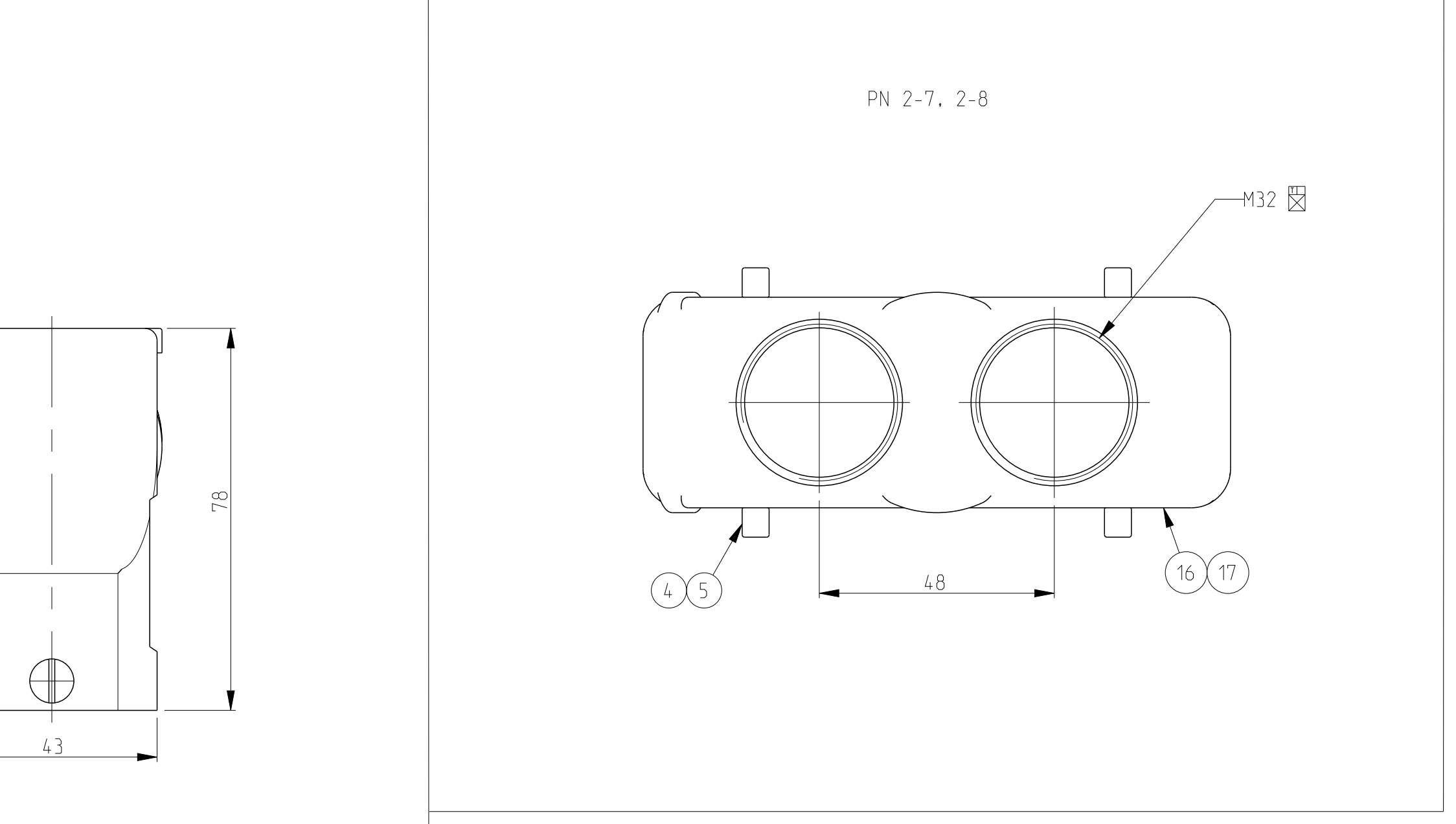
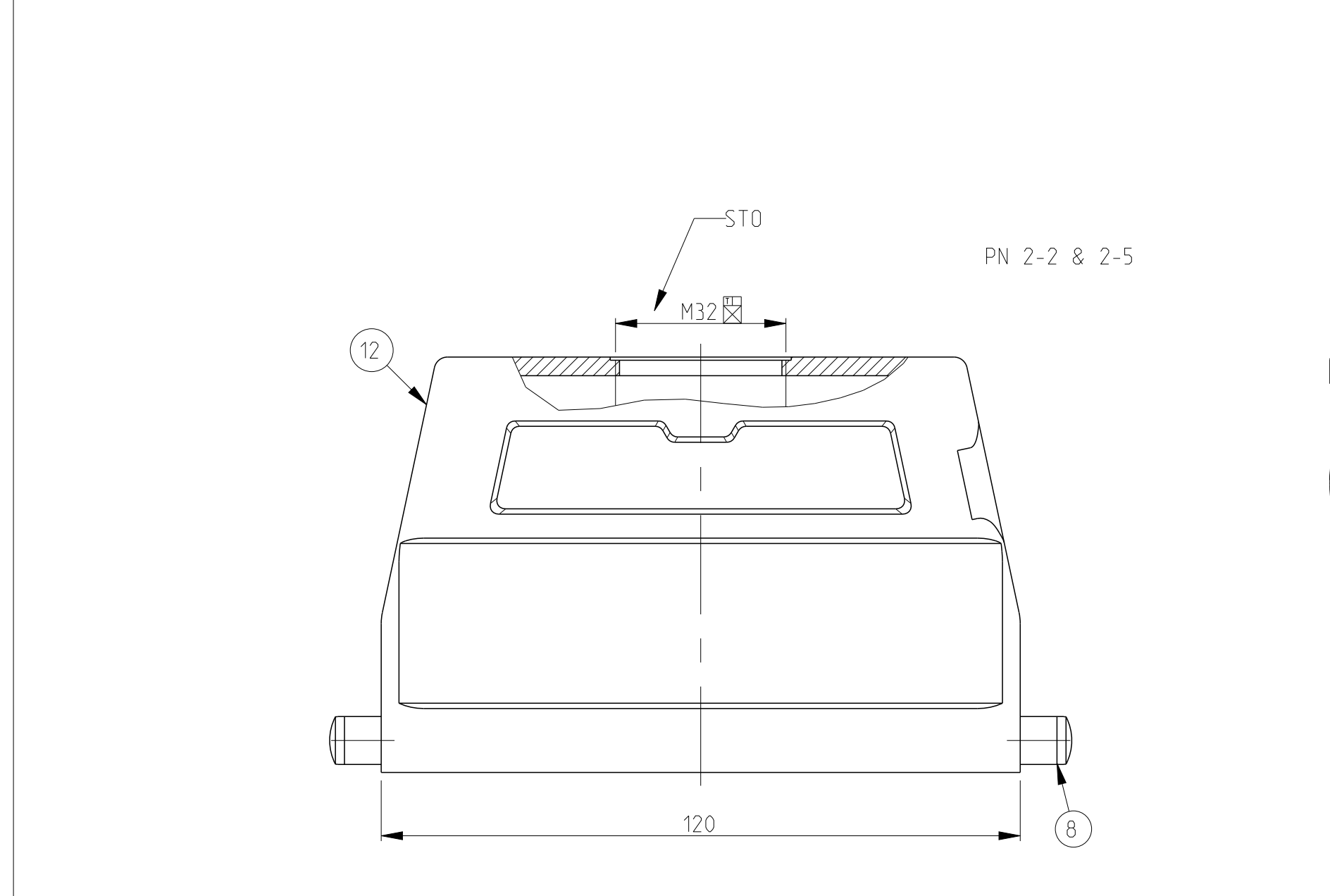
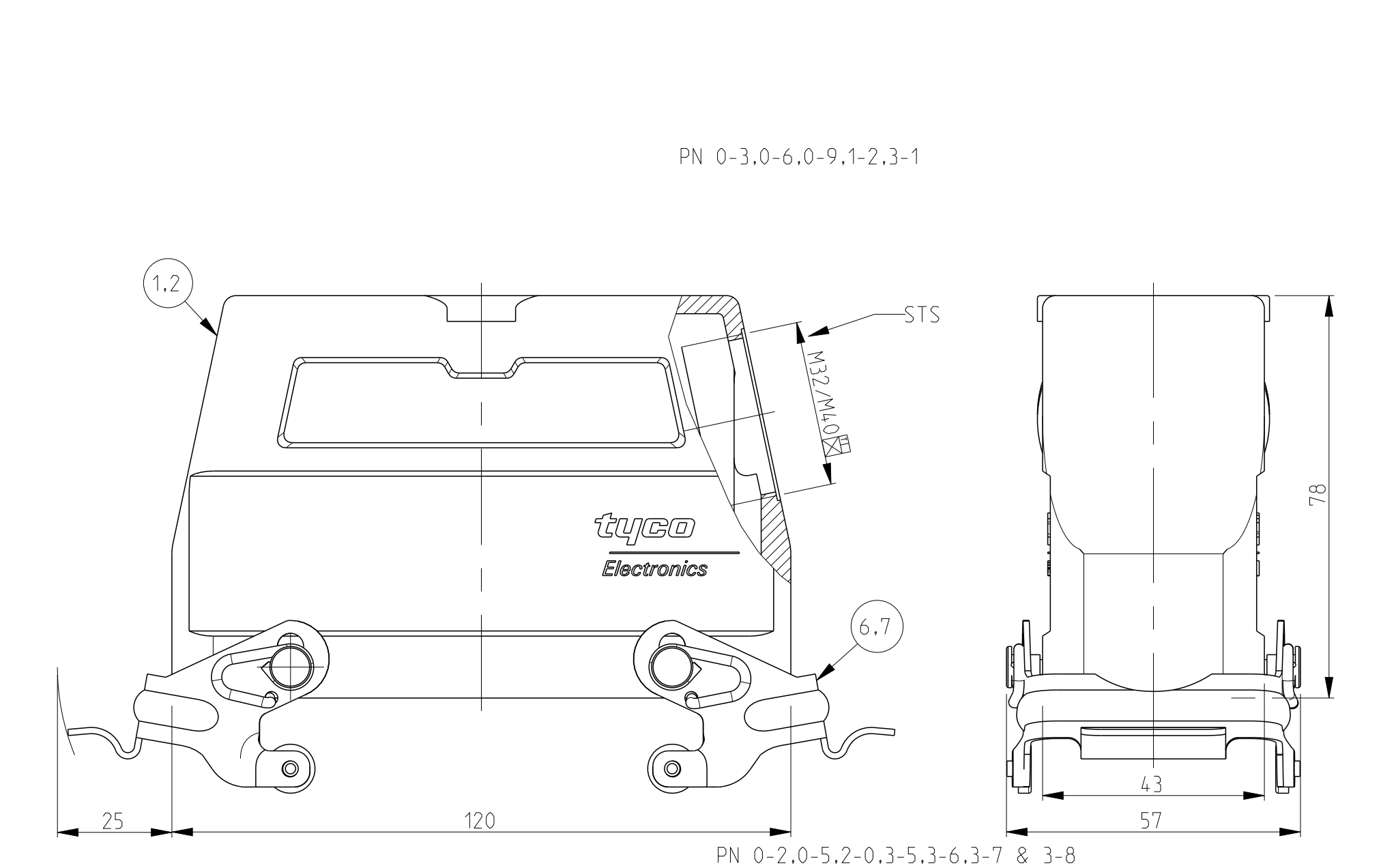
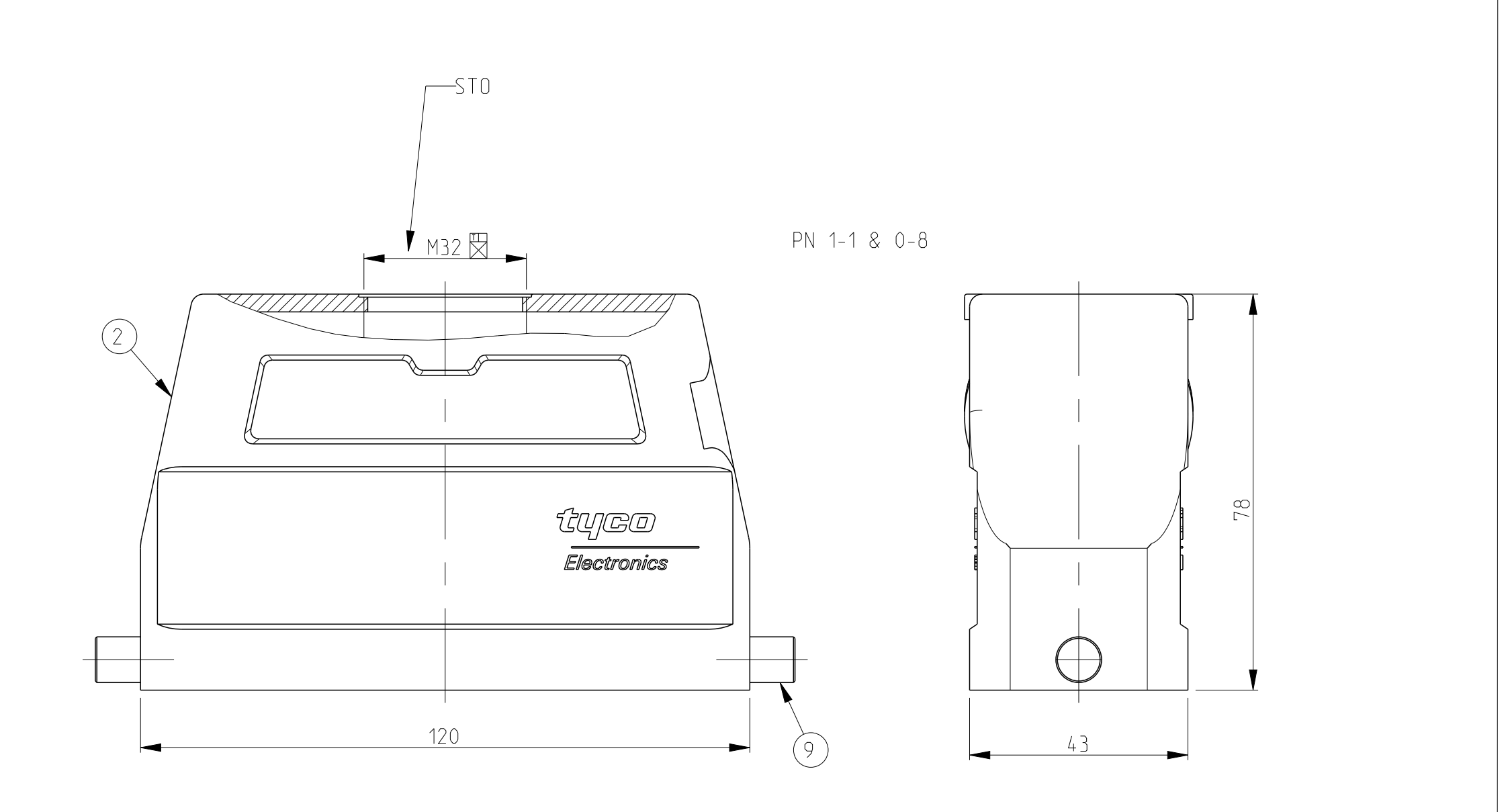
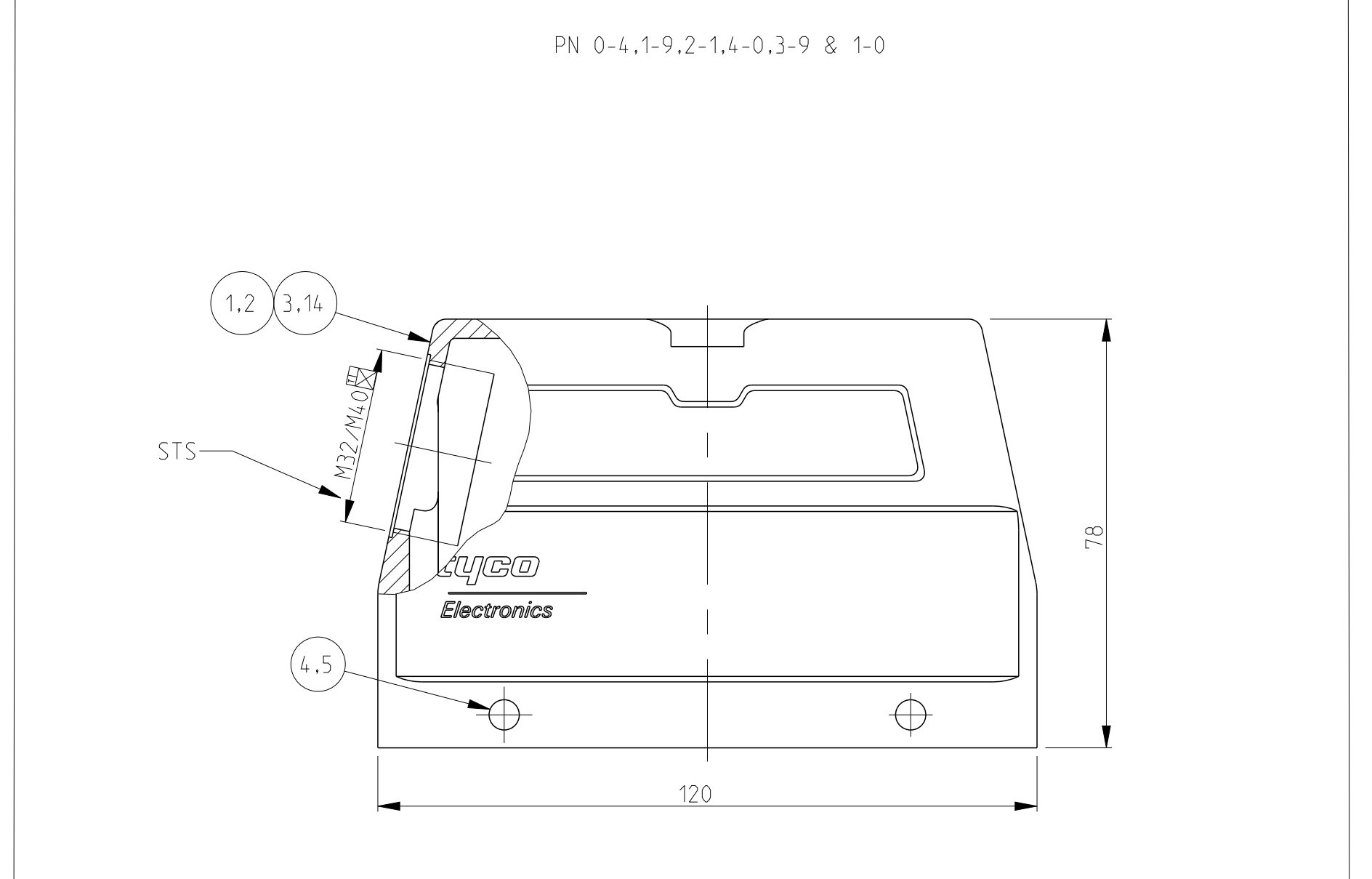
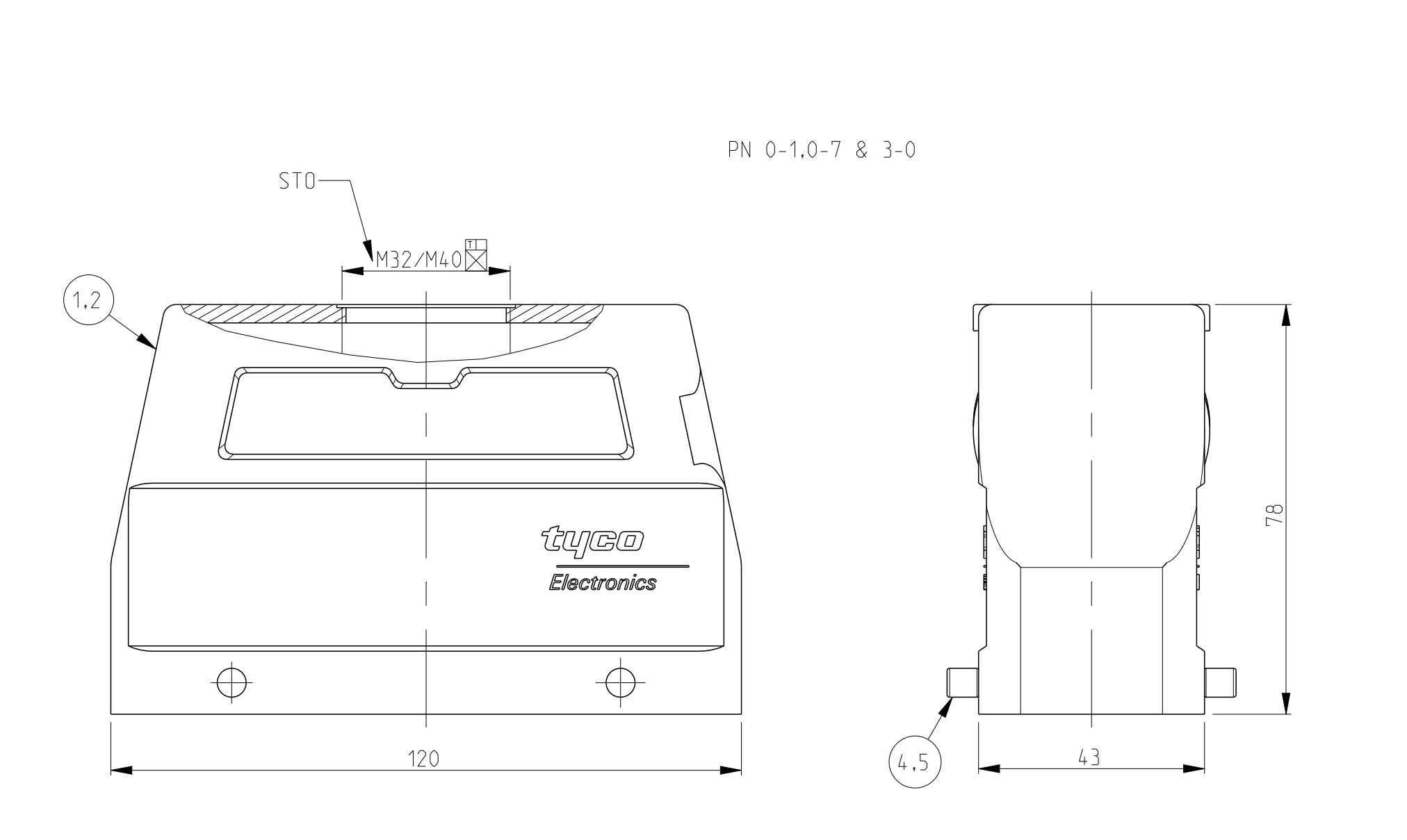


REV	DATE	DESCRIPTION	BY	CHK	APPD
A14	30-MAR-2011	REVISED PER ECO-11-005150	RK	HRM	
A15	27-FEB-2014	ECO-14-007563	RK	MKO	
A16	23-SEP-2014	ECO-14-013782	RK	MKO	



- NOTES:
- Material:Housing:Aluminium Diecasting Alloy
  - Surface:Varnish grey
  - Varnish on the inside not necessary
  - Packaging Quantity 5 Pieces in a box
  - Without TE-Product sign
  - Special Packaging Quantity 50 Pieces in a Kanban box

QTY	DESCRIPTION	MATERIAL	SURFACE	COLOR	ITEM NO	NOTES
1	HD-K HOOD	Aluminium	Aluminium oxide	Black	17	
1	HD HOOD	Aluminium		GREY	16	
1	HD HOOD	Aluminium		GREY	15	
1	HD-EMV Hood	Aluminium	chromit Al passivation	Black	14	
1	HD Hood	Aluminium		Grey	13	
1	HD Hood	Aluminium	Neutral	Grey	12	Without TE-Logo
1	ZB-Central clip	Stainless steel	Blank		11	
1	ZB-Central clip	Steel	Zinc plated	Blue	10	
2	LB-Clip bolt	Stainless steel	Blank		9	
2	LB-Clip bolt	Steel	Zinc plated	Blue	8	
2	VS-Side clip	Stainless steel	Blank		7	
2	VS-Side clip	Steel	Zinc plated	Blue	6	
4	VS-Clip bolt	Stainless steel	Blank		5	
4	VS-Clip bolt	Steel	Zinc plated	Blue	4	
1	HD Hood	Aluminium		Grey	3	Without TE-Logo
1	HD-K Hood	Aluminium	Aluminium oxide	Black	2	
1	HD Hood	Aluminium		Grey	1	

THIS DRAWING IS A CONTROLLED DOCUMENT. DATE: 30-Nov-07. DRAWN BY: Schneider. CHECKED BY: Schneider. APPROVED BY: Schneider.

PRODUCT SPEC: 108-74.001/74.003. APPLICATION SPEC: 114-74.001/74.004. SCALE: 1:1. SHEET: 1 OF 1. REV: A16.

MATERIAL: HD.64.STS.M32/1.M4.0.G. FINISH: -

Customer Drawing

## X-ON Electronics

Largest Supplier of Electrical and Electronic Components

*Click to view similar products for [Heavy Duty Power Connectors](#) category:*

*Click to view products by [TE Connectivity](#) manufacturer:*

Other Similar products are found below :

[1424439](#) [1424438](#) [09330062652](#) [2-8675P1](#) [580129-2](#) [605601-1](#) [6340G1](#) [6341G1](#) [6360G1](#) [6373G1](#) [6374g2](#) [6396G1](#) [647757-1](#) [66394-4](#)  
[6643411-1](#) [6646058-2](#) [6646137-1](#) [6646138-1](#) [6646348-1](#) [6646479-1](#) [6646608-1](#) [6646786-1](#) [6646940-1](#) [6651091-1](#) [6651525-1](#) [6651529-1](#)  
[6651778-1](#) [6651788-1](#) [696465-1](#) [696475-1](#) [73000005059](#) [73000005349](#) [73000005642](#) [73080255059](#) [73080965046](#) [765-15-0080A](#)  
[765-16-0080B](#) [789.700-44](#) [789.700-54](#) [80-1010](#) [80-9](#) [827381-1](#) [829992-1](#) [902-77-02113](#) [PL00U-301-10D10](#) [PM103MOOLOO](#)  
[PM16S1620S32-50](#) [PM212MOOLOO](#) [PM309FOOLOO](#) [PM324FOOLCH](#)