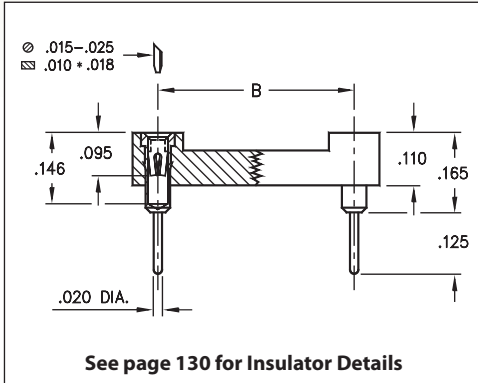
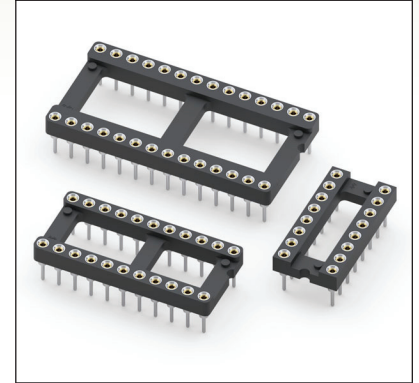


# DUAL-IN-LINE SOCKETS

## SERIES 110...001 • STANDARD SOLDER TAIL • OPEN FRAME



- All DIP sockets accept .015" - .025" diameter and standard IC leads
- Hi-Rel, 4-finger BeCu #30 contact is rated at 3 amps. See page 253 for details
- Series 110 uses MM #1001 pins. See page 165 for details
- Insulators are high temperature thermoplastic, suitable for all soldering operations
- For Electrical, Mechanical and Environmental Data, see page 264 for details



Total number of pins				Quantity per tube	<h3>ORDERING INFORMATION</h3>									
	A	B	C											
10	0.5	0.2	0.3	40	110-XX-210-41-001000									
4	0.2	0.3	0.4	102	110-XX-304-41-001000									
6	0.3	0.3	0.4	67	110-XX-306-41-001000									
8	0.4	0.3	0.4	50	110-XX-308-41-001000									
10	0.5	0.3	0.4	40	110-XX-310-41-001000									
14	0.7	0.3	0.4	28	110-XX-314-41-001000									
16	0.8	0.3	0.4	25	110-XX-316-41-001000									
18	0.9	0.3	0.4	22	110-XX-318-41-001000									
20	1.0	0.3	0.4	20	110-XX-320-41-001000									
22	1.1	0.3	0.4	18	110-XX-322-41-001000									
24	1.2	0.3	0.4	16	110-XX-324-41-001000									
28	1.4	0.3	0.4	14	110-XX-328-41-001000									
20	1.0	0.4	0.5	20	110-XX-420-41-001000									
22	1.1	0.4	0.5	18	110-XX-422-41-001000									
24	1.2	0.4	0.5	16	110-XX-424-41-001000									
28	1.4	0.4	0.5	14	110-XX-428-41-001000									
32	1.6	0.4	0.5	12	110-XX-432-41-001000									
24	1.2	0.6	0.7	16	110-XX-624-41-001000									
28	1.4	0.6	0.7	14	110-XX-628-41-001000									
32	1.6	0.6	0.7	12	110-XX-632-41-001000									
36	1.8	0.6	0.7	11	110-XX-636-41-001000									
40	2.0	0.6	0.7	10	110-XX-640-41-001000									
42	2.1	0.6	0.7	9	110-XX-642-41-001000									
48	2.4	0.6	0.7	8	110-XX-648-41-001000									
50	2.5	0.6	0.7	8	110-XX-650-41-001000									
52	2.6	0.6	0.7	7	110-XX-652-41-001000									
50	2.5	0.9	1.0	8	110-XX-950-41-001000									
52	2.6	0.9	1.0	7	110-XX-952-41-001000									
64	3.2	0.9	1.0	6	110-XX-964-41-001000									
<b>SPECIFY PLATING CODE XX =</b>					11	13	91	93	99	41	43	44	47	
Sleeve (Pin)					10 μ" Au	10 μ" Au	200 μ" Sn/Pb	200 μ" Sn/Pb	200 μ" Sn/Pb	200 μ" Sn	200 μ" Sn	200 μ" Sn	200 μ" Sn	
Contact (Clip)					10 μ" Au	30 μ" Au	10 μ" Au	30 μ" Au	100 μ" Sn/Pb	10 μ" Au	30 μ" Au	100 μ" Sn	Au Flash	

XX=Plating Code  
See Below



## X-ON Electronics

Largest Supplier of Electrical and Electronic Components

*Click to view similar products for [Sockets & Adapters](#) category:*

*Click to view products by [Mill-Max](#) manufacturer:*

Other Similar products are found below :

[6508-0-00-01-00-00-33-0](#) [AC164341](#) [AC164348](#) [1262](#) [C8051F350-TB](#) [KITPF0100SKTEVBE](#) [LFVDBJR](#) [SK-AX2-CQ256-KITTOP](#)  
[AC164334](#) [AC164353](#) [AC164383](#) [SOCKET-ADM106XTQZ](#) [SPC564A80CAL176](#) [ST5M1267-001](#) [FP3-10PIN-ADAPTER-KIT](#) [CY3675-](#)  
[LCC4A](#) [TDGL015](#) [ATF15XXDK3-SAA100](#) [LFBGADATC](#) [SM64TQ-ACTEL-1](#) [SM68P-ACTEL](#) [8.06.03](#) [AC164358](#) [ATSTK600-RC99](#)  
[76002056](#) [DS91230+](#) [OM13019,598](#) [09185058](#) [AC164369](#) [AC164409](#) [AC164402](#) [SMPA-ISP-ACTEL-3-KIT](#) [ICESABCM81-01](#) [LFVDBGF](#)  
[AC164408](#) [LFBGADAU1A](#) [KIT 70601-3](#) [S5U13U00P00C100](#) [AC164352](#) [PN-Q208/5256V](#) [PN-T100/LC4256](#) [LFBGAINTM55U1QA](#)  
[AC164370](#) [AC164355](#) [AC164367](#) [LFDAS12XEFT](#) [CY3675-TSSOP20B](#) [SPC563M64AVB144](#) [ATF15XXDK3-SAA44](#) [AC164410](#)