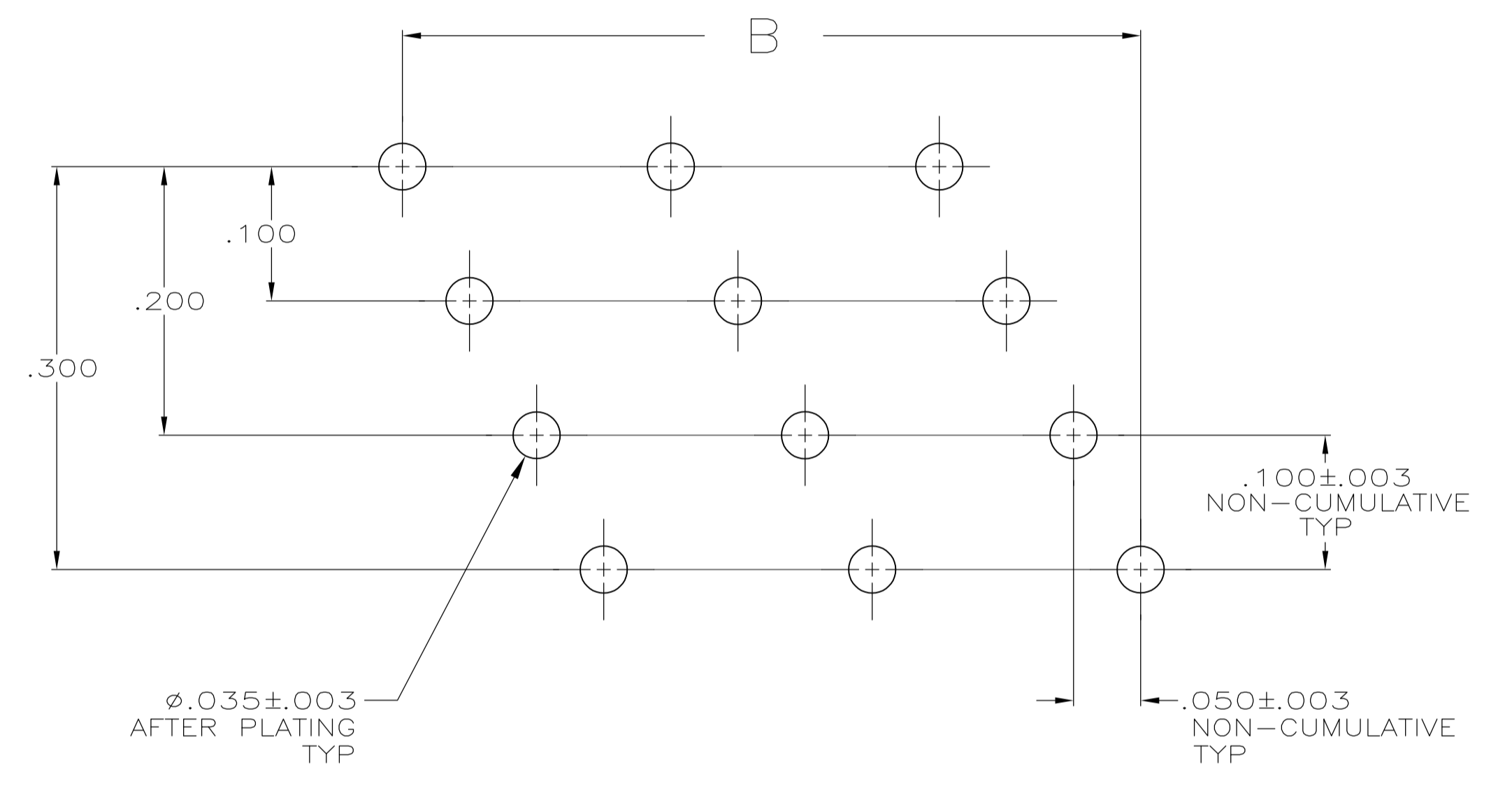
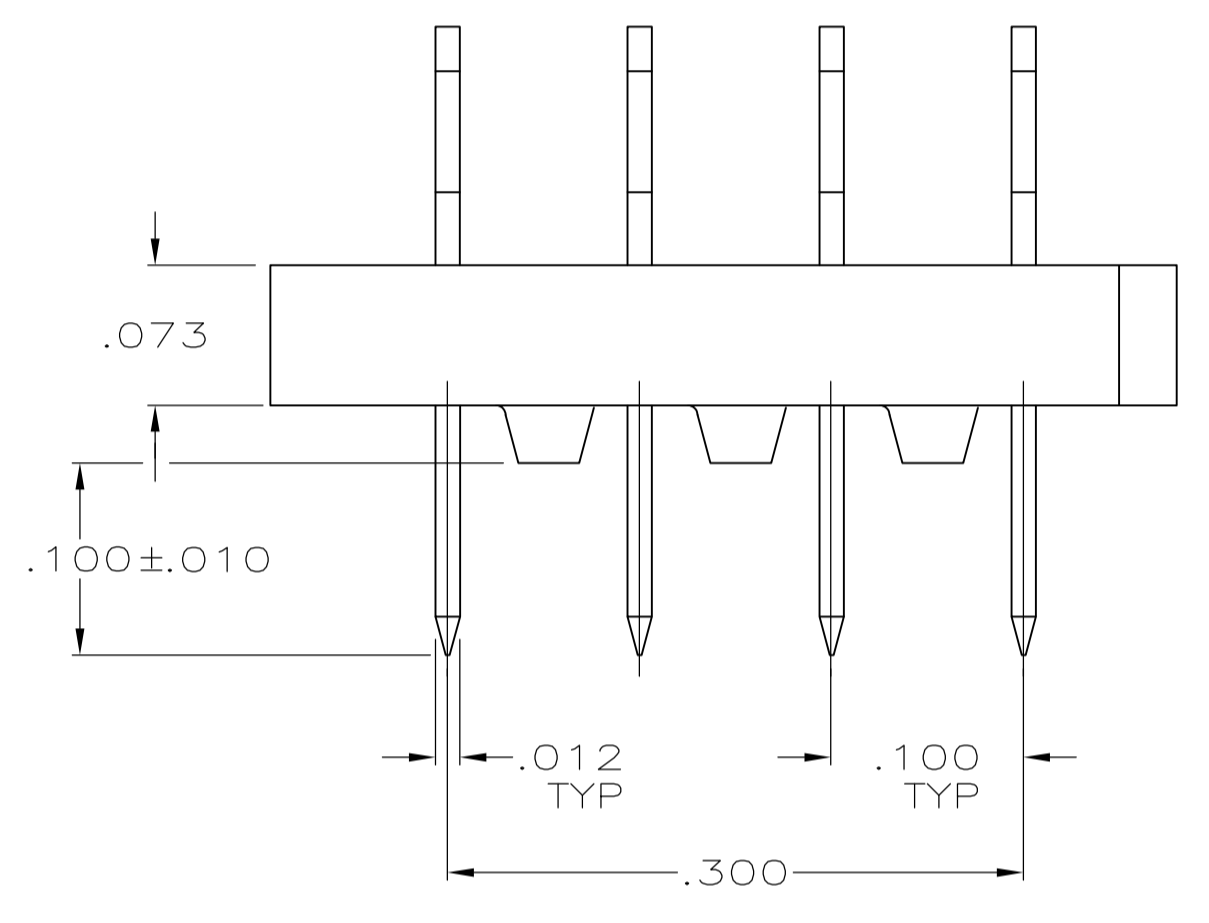
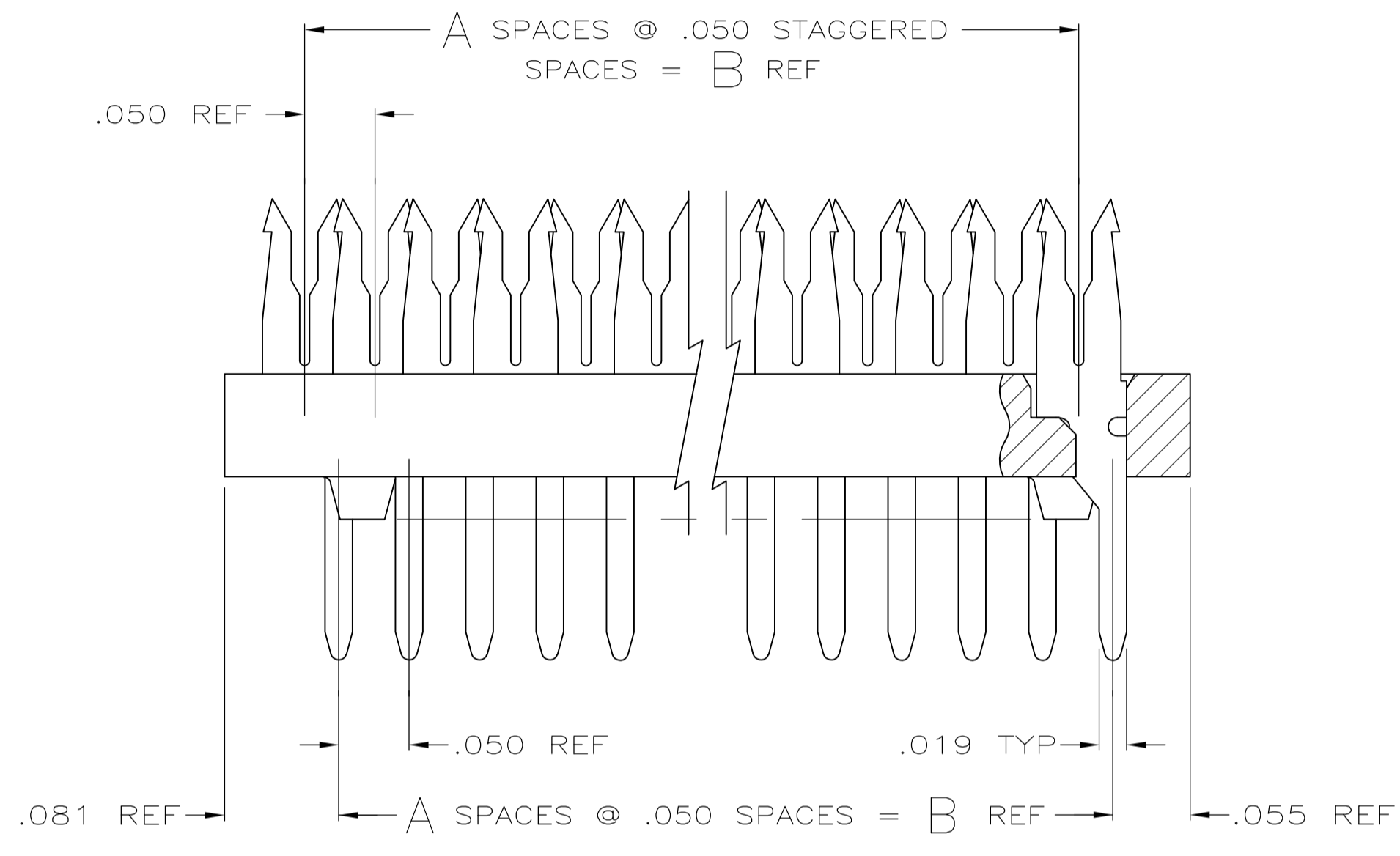
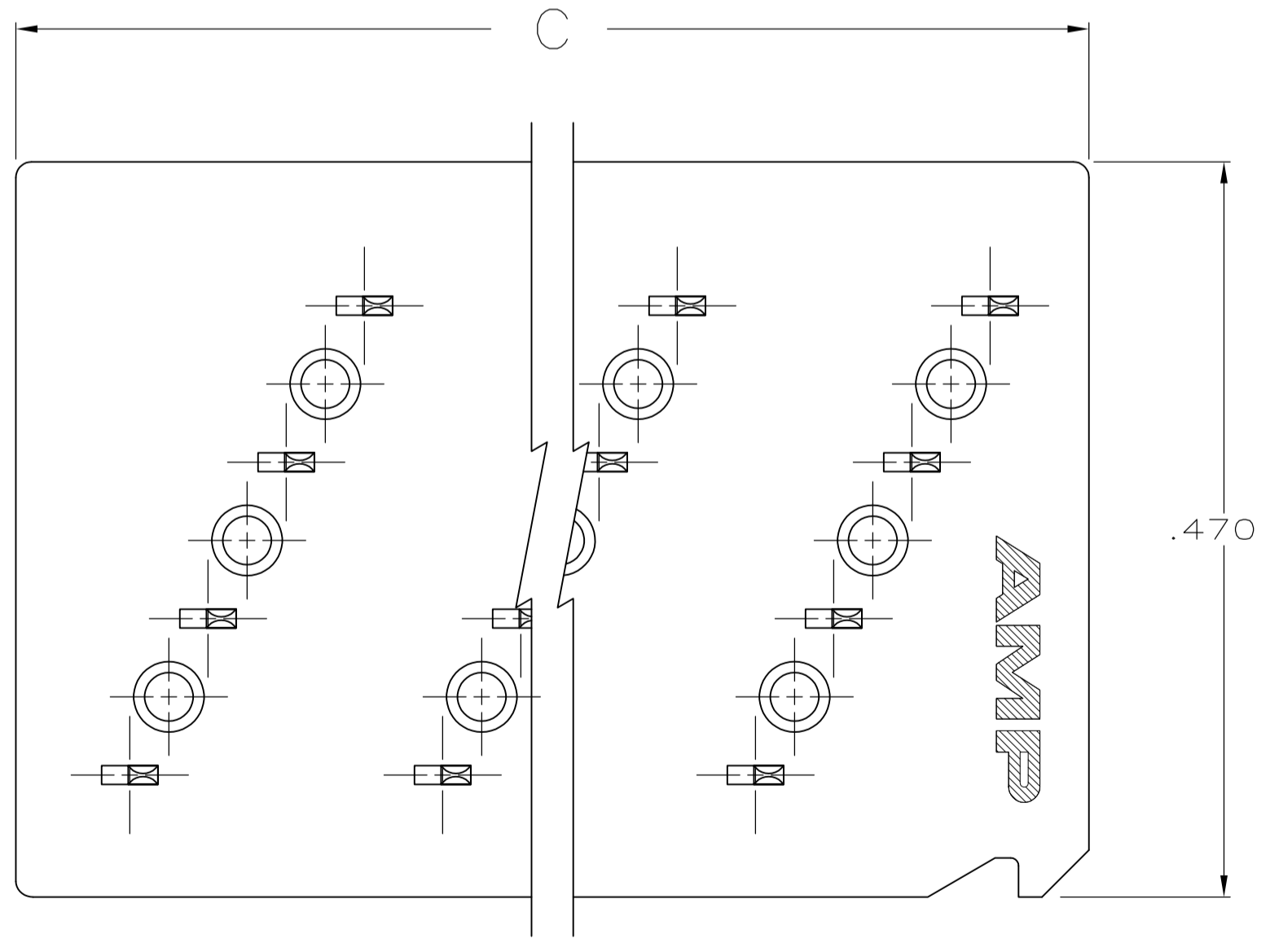


- ALL PARTS ASSEMBLED BY TYCO ELECTRONICS CORP.
- STANDOFFS: POSN 12 (9) STANDOFFS AS SHOWN.  
 POSN 16 (12) STANDOFFS, 3 PER DIAGONAL ROW.  
 POSN 20 (15) STANDOFFS, 3 PER DIAGONAL ROW.  
 POSN 24 (18) STANDOFFS, 3 PER DIAGONAL ROW.  
 POSN 28 (21) STANDOFFS, 3 PER DIAGONAL ROW.  
 POSN 32 (24) STANDOFFS, 3 PER DIAGONAL ROW.  
 POSN 36 (27) STANDOFFS, 3 PER DIAGONAL ROW.  
 POSN 40 (30) STANDOFFS, 3 PER DIAGONAL ROW.  
 POSN 44 (33) STANDOFFS, 3 PER DIAGONAL ROW.  
 POSN 48 (36) STANDOFFS, 3 PER DIAGONAL ROW.  
 POSN 52 (39) STANDOFFS, 3 PER DIAGONAL ROW.  
 POSN 56 (42) STANDOFFS, 3 PER DIAGONAL ROW.  
 POSN 60 (45) STANDOFFS, 3 PER DIAGONAL ROW.

- FLAME RETARDANT, 94 V-0 RATED, GLASS FILLED, NYLON OR POLYESTER, COLOR: BLACK.
- FINISH: BRIGHT TIN-LEAD .000100-.000200 THK OVER NICKEL .000050 MIN THK.
- FINISH: BRIGHT TIN .000100-.000200 THK OVER NICKEL .000050 MIN THK.



RECOMMENDED HOLE LAYOUT



△	3.086	2.950	59	60	6-111356-3	
△	2.086	1.950	39	40	5-111356-8	
△	1.286	1.150	23	24	5-111356-4	
△	1.086	.950	19	20	5-111356-3	
△	.886	.750	15	16	5-111356-2	
△	3.086	2.950	59	60	1-111356-3	
OBSOLETE	△	2.886	2.750	55	56	1- -2
OBSOLETE	△	2.686	2.550	51	52	1- -1
OBSOLETE	△	2.486	2.350	47	48	1- -0
OBSOLETE	△	2.286	2.150	43	44	-9
	△	2.086	1.950	39	40	-8
OBSOLETE	△	1.886	1.750	35	36	-7
OBSOLETE	△	1.686	1.550	31	32	-6
OBSOLETE	△	1.486	1.350	27	28	-5
	△	1.286	1.150	23	24	-4
	△	1.086	.950	19	20	-3
	△	.886	.750	15	16	-2
OBSOLETE	△	.686	.550	11	12	111356-1
	FINISH	C	B	A	NO OF POSN	PART NUMBER

THIS DRAWING IS A CONTROLLED DOCUMENT.

DIMENSIONS: INCHES

TOLERANCES UNLESS OTHERWISE SPECIFIED:

0. PLC	± .005
1. PLC	± .005
2. PLC	± .005
3. PLC	± .005
4. PLC	± .005
ANGLES	± .030°

MATERIAL MOLDED PARTS: △

CONTACTS PH BRZ PER QQ-B-750 △

FINISH CONTACTS △

THIS DRAWING IS A CONTROLLED DOCUMENT.

DWG: S. WELDON 23-FEB-86

CHK: W. LENKER 23-FEB-86

APP'D: M. VISSELLI 24-FEB-86

NAME: ASSEMBLY, PADDLEBOARD, FULL ROW .100 LONG POSTS, FULL TIN PLATED CONTACTS AMP-LATCH

SIZE: A1

SCALE: 10:1

SHEET: 1 OF 1

REV: H

CUSTOMER DRAWING

SCALE: 10:1

SHEET: 1 OF 1

REV: H

## X-ON Electronics

Largest Supplier of Electrical and Electronic Components

*Click to view similar products for [Headers & Wire Housings](#) category:*

*Click to view products by [TE Connectivity](#) manufacturer:*

Other Similar products are found below :

[95000-104TRLF](#) [10135584-644402LF](#) [DF62W-EP2022PCA](#) [95000-106TRLF](#) [DF62W-2022SCA](#) [DF62W-EP2022PC](#) [2203348](#) [DF62W-2022SC](#) [1084018](#) [1029039](#) [1084017](#) [802-10-012-10-002000](#) [1112640](#) [1112639](#) [891-007-9SS-BST1T](#) [000-34000](#) [0008550134](#) [0009482033](#) [0009507031](#) [57102-F02-18ULF](#) [57102-S06-03LF](#) [57202-S52-04LF](#) [PCN6-15S-2.5E](#) [0039019024](#) [58102-G61-06LF](#) [582553-1](#) [0009485154](#) [0009508121](#) [009176003701906](#) [0022285053](#) [0050291907](#) [018731A](#) [LY20-4P-DT1-P1E-BR](#) [02.125.8002.8](#) [60101931](#) [60598-1 \(Cut Strip\)](#) [M1625-3R/100](#) [61062-3](#) [61082-181009](#) [CSU011177004](#) [636-1427](#) [638009-1](#) [641938-9](#) [641991-4](#) [644168-1](#) [644827-2](#) [647662-1](#) [65039-019ELF](#) [65692-001LF](#) [65781-018](#)