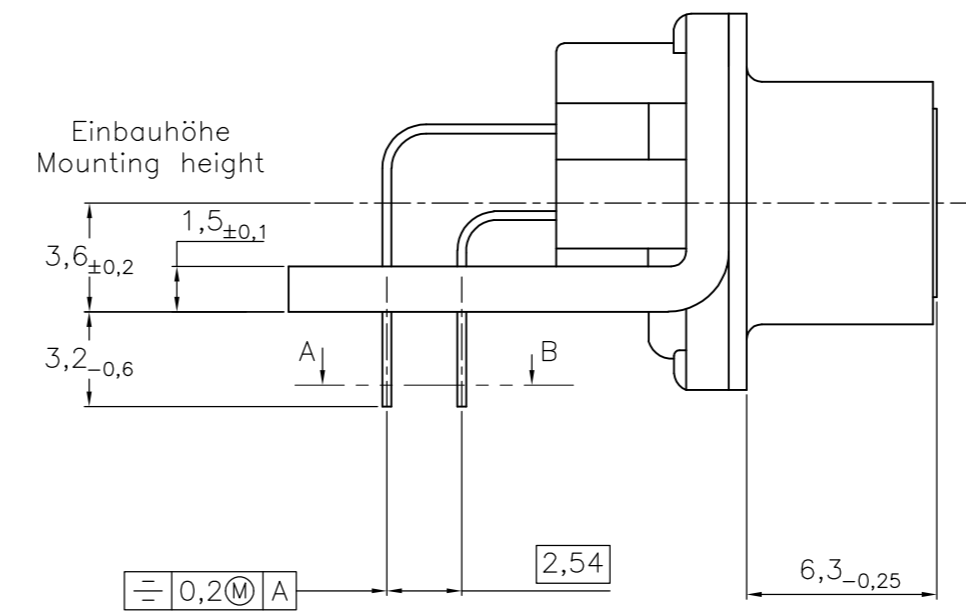
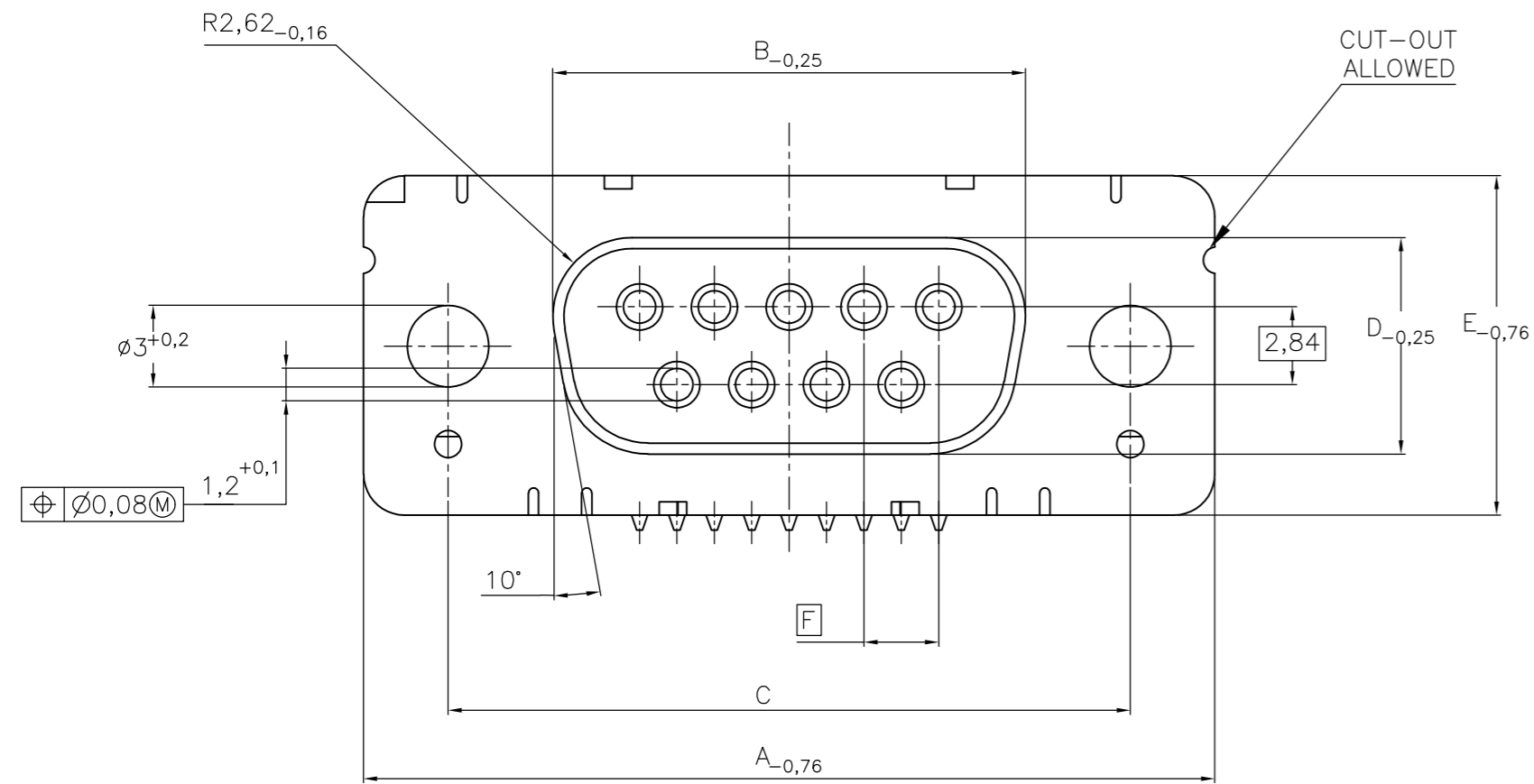


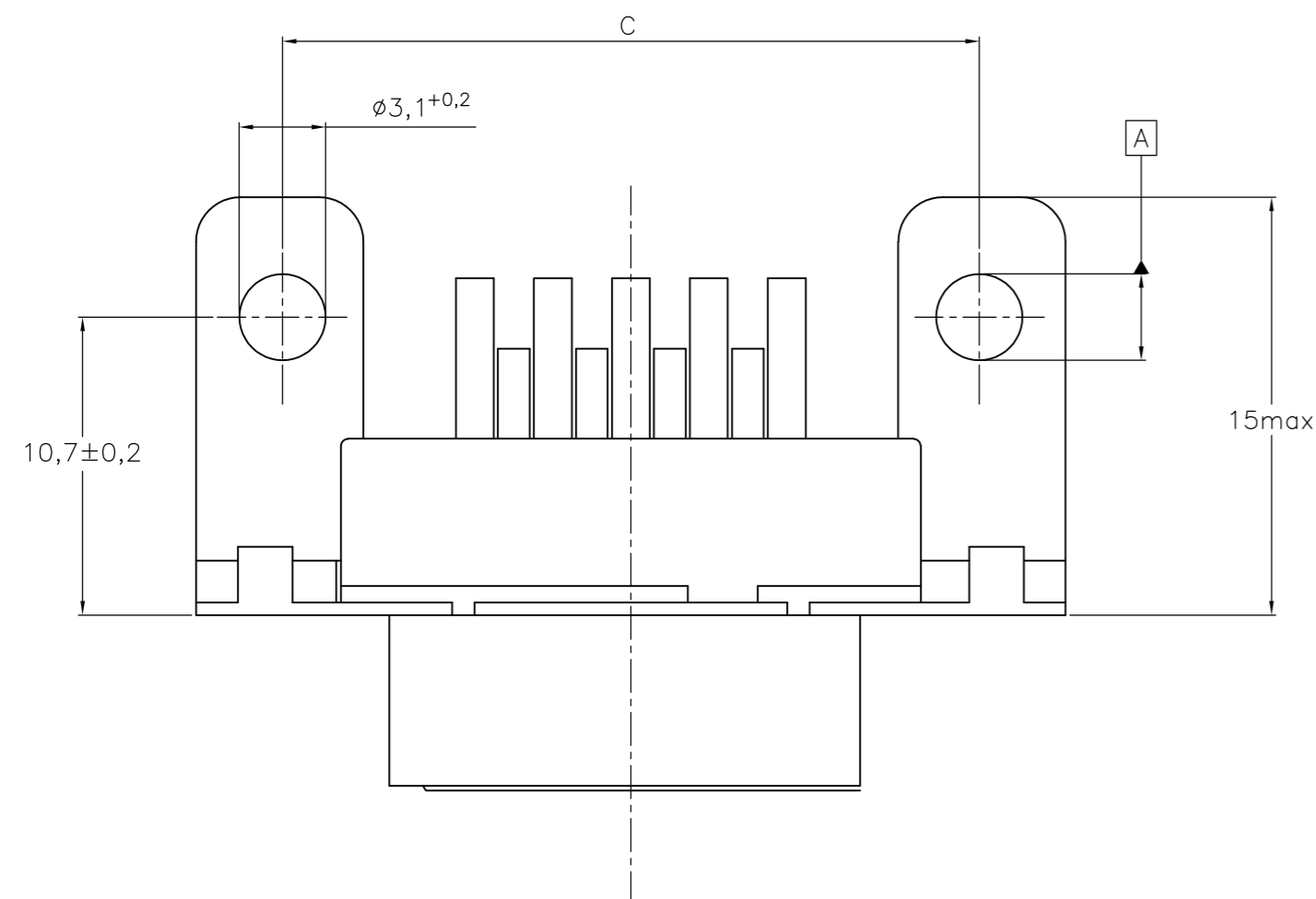
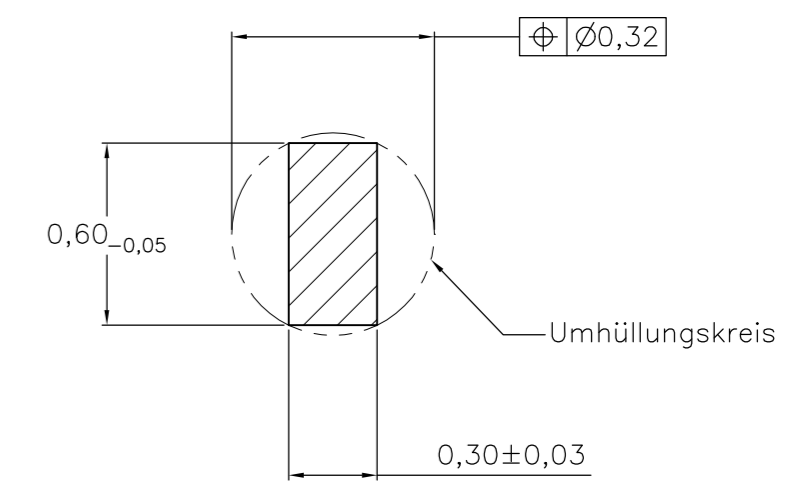
THIS DRAWING IS UNPUBLISHED. RELEASED FOR PUBLICATION  
 © COPYRIGHT - By - ALL RIGHTS RESERVED.

LOC		DIST		REVISIONS			
GP	00	P	LTR	DESCRIPTION	DATE	DWN	APVD
		C		REVISED PER ECO-15-007873	18JUN2015	AP	SB

Standardausführung: V23529-Bx121-Bxxx-+  
 Standardversion



Schnitt AB des Lötanschlusses  
 Cross-section AB of solderpin  
 (20:1)



Ordercode Sachnr	Contacts Polzahl	Mass/Dimension					
		A	B	C	D	E	F
..-Bx09-+	09	31,19	16,46	25,0 $\begin{smallmatrix} +0,12 \\ -0,13 \end{smallmatrix}$	8,02	12,93	2,74
..-Bx15-+	15	39,52	24,79	33,3 $\begin{smallmatrix} +0,15 \\ -0,1 \end{smallmatrix}$			2,74
..-Bx25-+	25	53,42	38,5	47,04 $\begin{smallmatrix} +0,13 \\ -0,13 \end{smallmatrix}$			2,76
..-Bx37-+	37	69,7	54,96	63,5 $\begin{smallmatrix} +0,13 \\ -0,13 \end{smallmatrix}$			2,76

Anforderungsstufe/Performance level <sup>1)</sup>

1) nach DIN 41652T.2 und T.4  
 according to DIN 41652 T.2 AND T.4

OLD PN: V23529-B\*\*\*\*-B\*\*\*-\*-7427

THIS DRAWING IS A CONTROLLED DOCUMENT.		DWN	07JAN10	<b>TE</b> TE Connectivity
DIMENSIONS: mm		GNANI JADAV A E	CHK	
TOLERANCES UNLESS OTHERWISE SPECIFIED:		K. MALCZYK	APVD	NAME
0 PLC ± -		K. MALCZYK	K. MALCZYK	
1 PLC ± -		PRODUCT SPEC	APPLICATION SPEC	SIZE
2 PLC ± -		WEIGHT	SCALE	
3 PLC ± -		CUSTOMER DRAWING	2:1	CAGE CODE
4 PLC ± -		FINISH	1 of 6	
ANGLES ± -		SCALE	2:1	DRAWING NO
FINISH		SHEET	1 of 6	
MATERIAL		RESTRICTED TO		REV
FINISH				

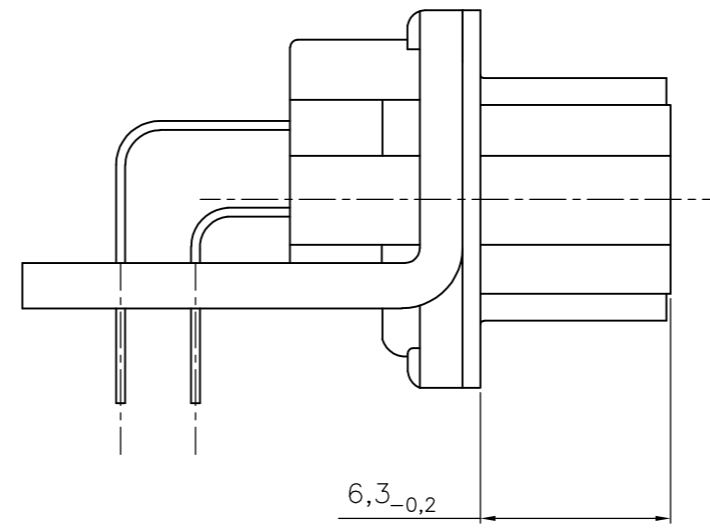
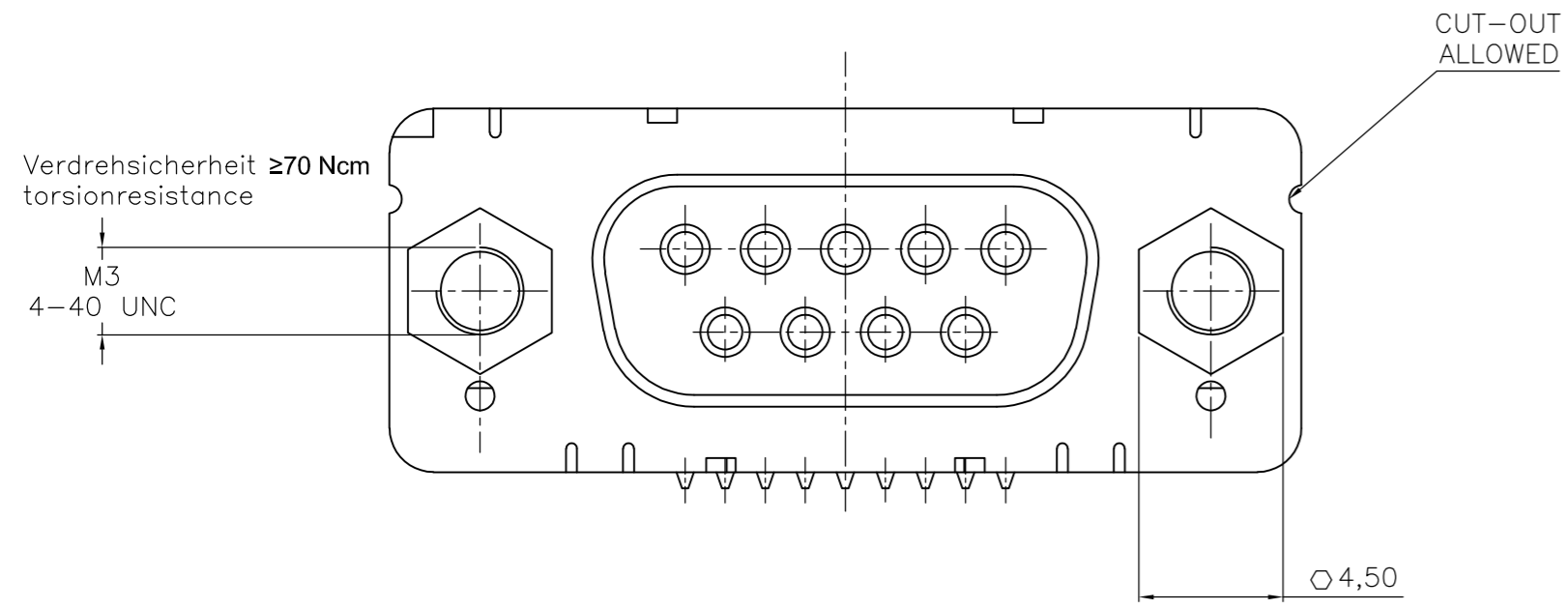
Buchsenleiste <sup>1)</sup>  
 Einbauhöhe 3,6 mm (Variante 1)  
 Socketconnector-90° solderversion (Type1)<sup>1)</sup>

SIZE	CAGE CODE	DRAWING NO	RESTRICTED TO
A2	00779	C=1-1393480-7	-

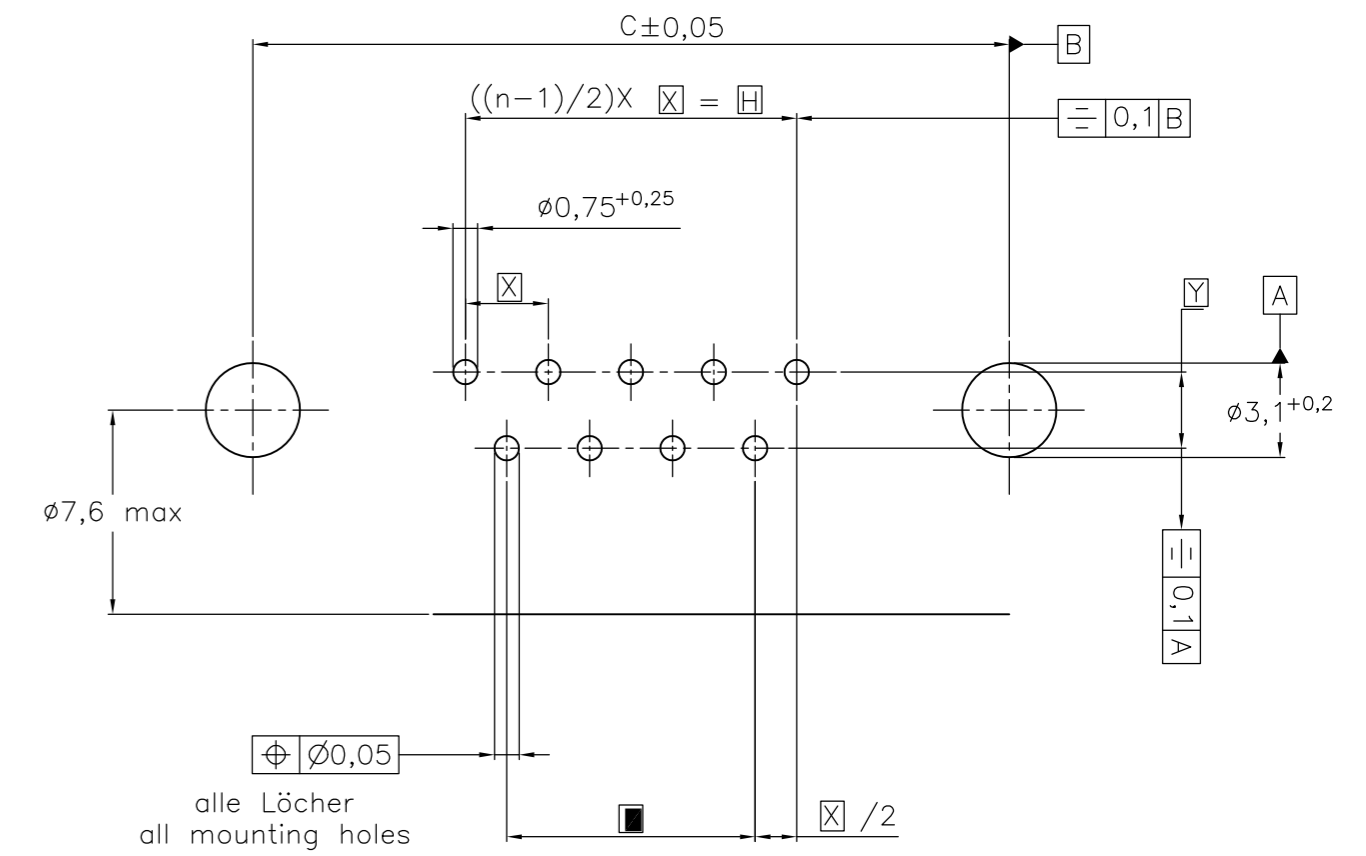
THIS DRAWING IS UNPUBLISHED. RELEASED FOR PUBLICATION  
 © COPYRIGHT - By - ALL RIGHTS RESERVED.

LOC		DIST		REVISIONS			
GP	00	P	LTR	DESCRIPTION	DATE	DWN	APVD
				SEE SHEET 1	-	-	-

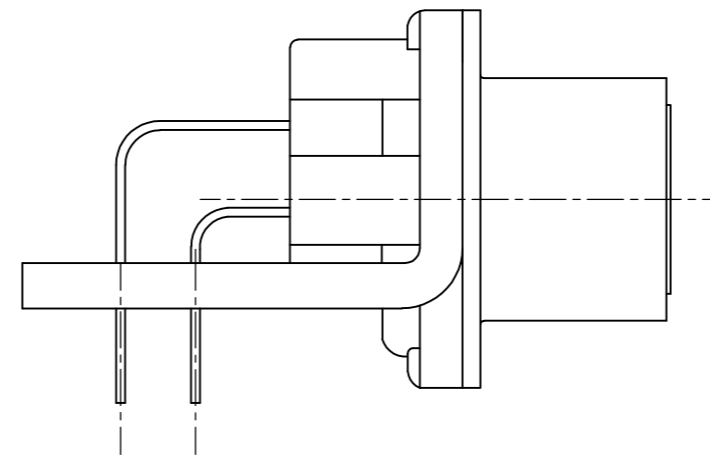
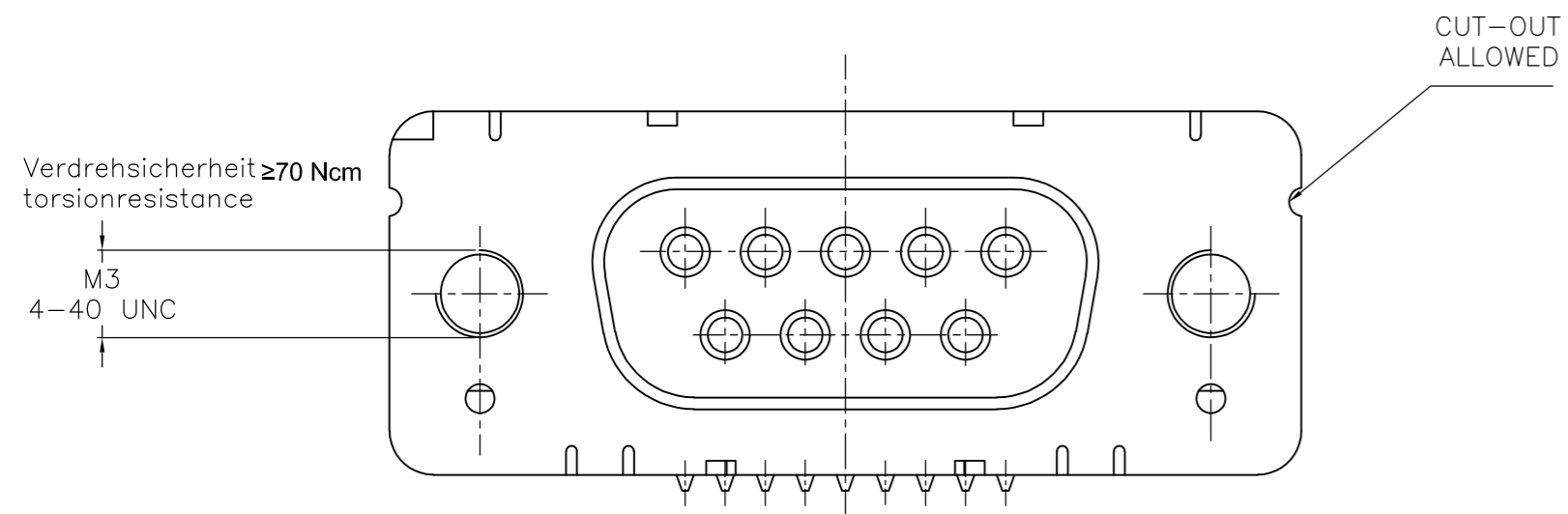
mit Gewindebolzen: M3 V23529-Bxx24-Bxxx-+  
 with threadlock 4-40 UNC V23529-Bxx25-Bxxx-+



Leiterplattenbohrung  
PCB hole pattern



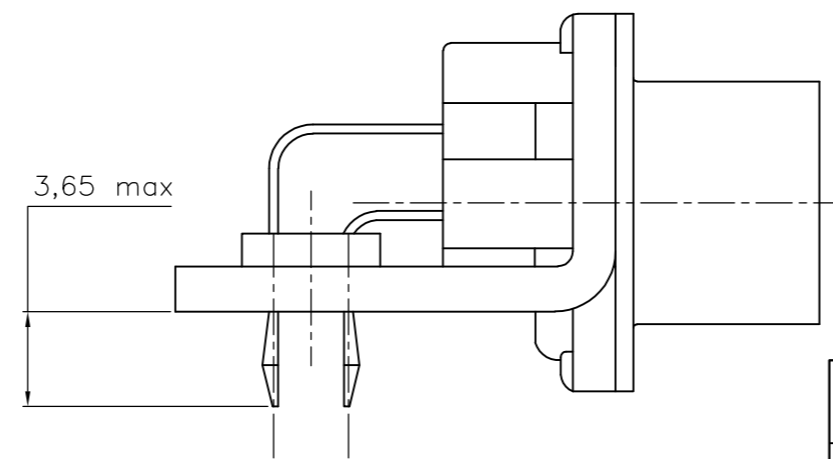
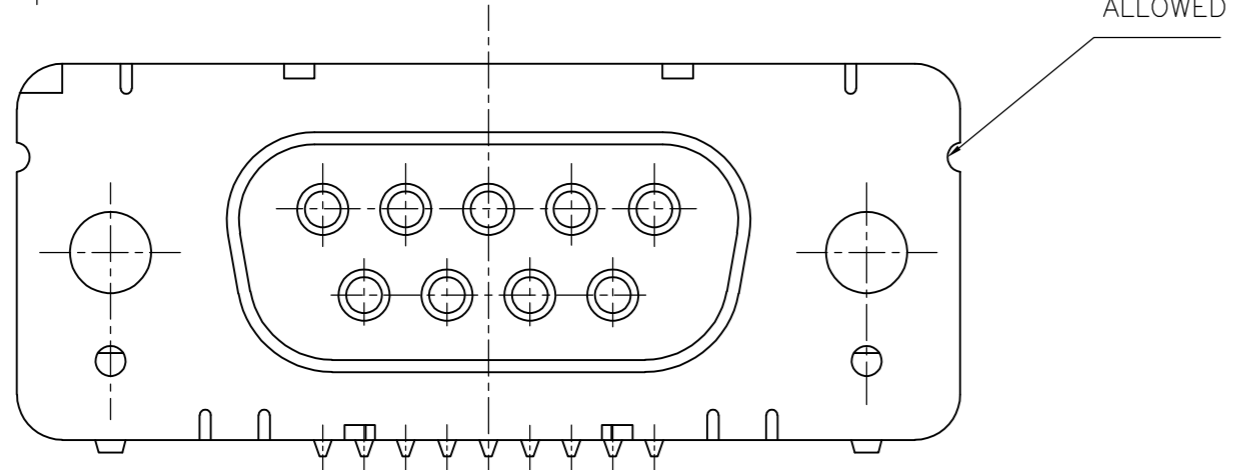
mit Gewinde : M3 V23529-Bxx22-Bxxx-+  
 with thread 4-40 UNC V23529-Bxx23-Bxxx-+



Mass Dimension	Polzahl n Number of contacts n			
	9	15	25	37
C	25	33,3	47,04	63,5
H	10,96	19,18	33,12	49,68
K	8,22	16,44	30,36	46,92
X	2,74	2,74	2,76	2,76
Y	2,54			

1) nach DIN 41652.T.2 und T.4  
 according to DIN 41652 T.2 AND T.4

mit clipbefestigung V23529-Bx22x-Bxxx-+  
 with snap-in



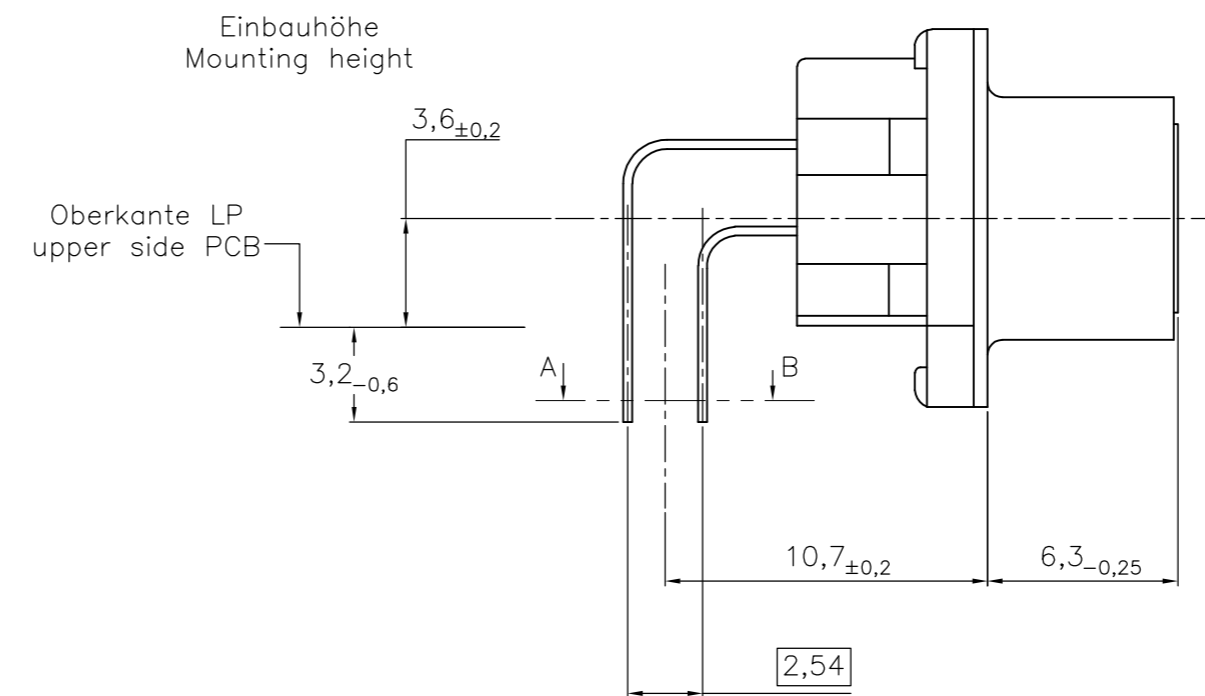
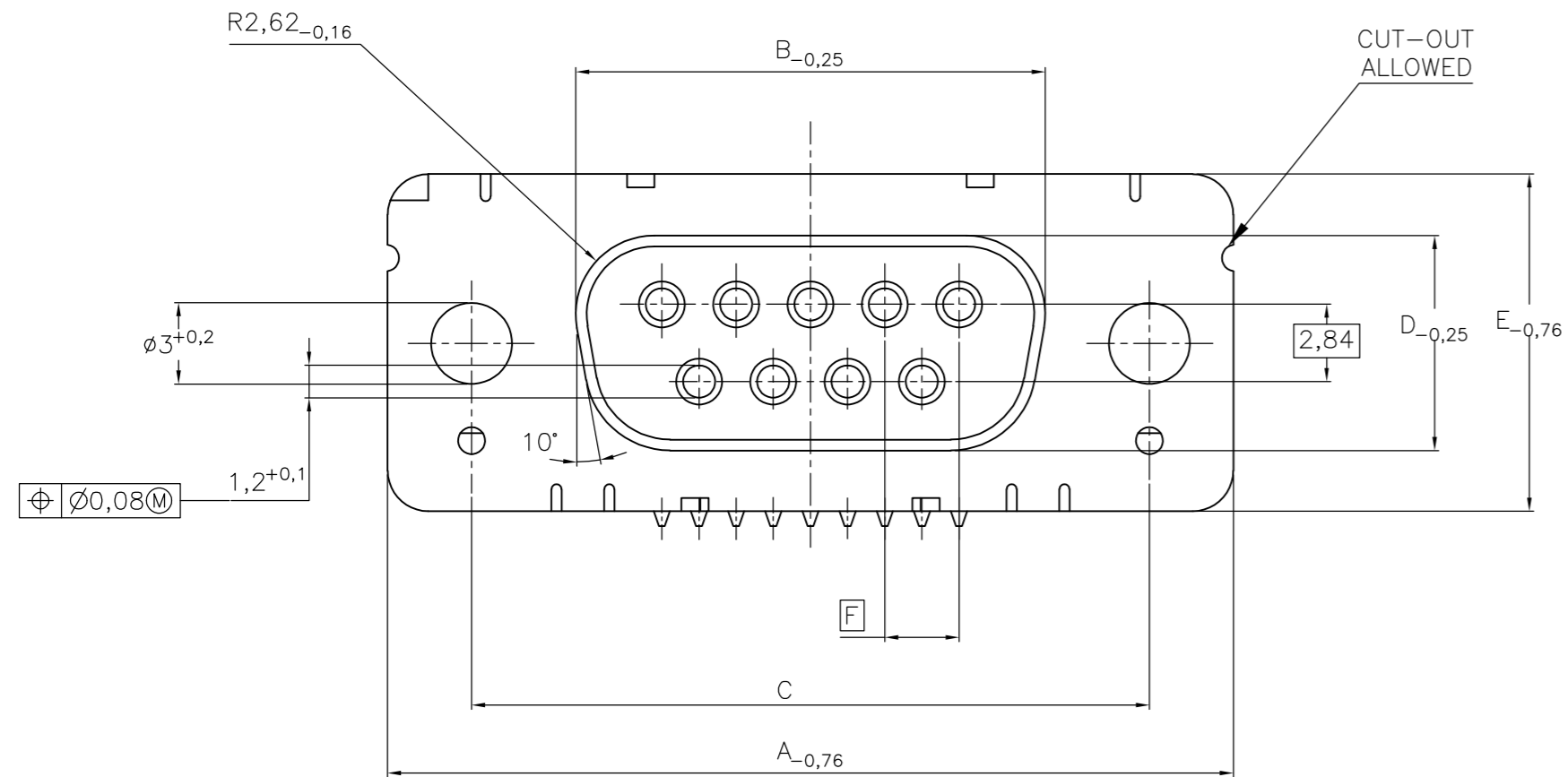
LP-Dicke  $1,6 \pm 0,13 \text{ mm}$ , Loch  $\varnothing 3,1^{+0,2}$   
 PC-board-thickness  $1,6 \pm 0,13 \text{ mm}$ , Hole  $\varnothing 3,1^{+0,2}$

OLD PN: V23529-B\*\*\*\*-B\*\*\*-\*-7427

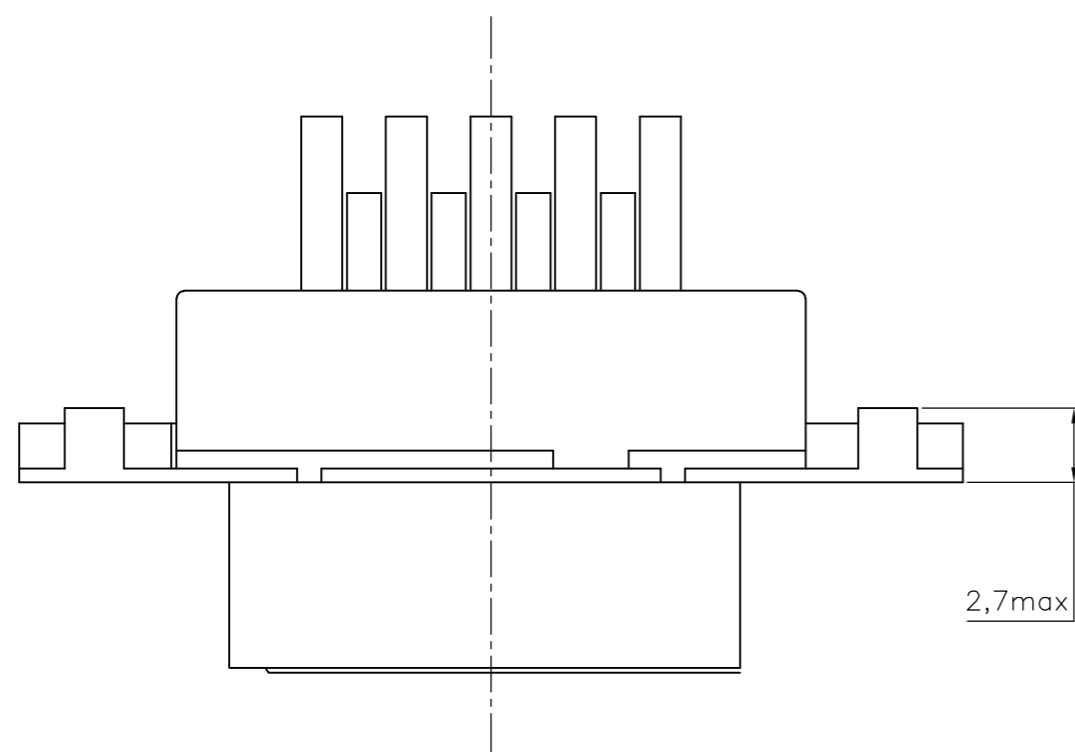
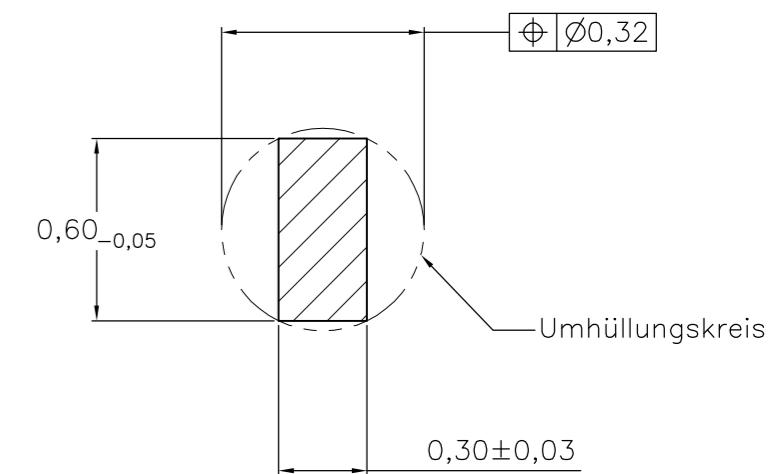
THIS DRAWING IS A CONTROLLED DOCUMENT.		DWN GNANI JADAV A E	07JAN10	
DIMENSIONS: mm		CHK K. MALCZYK	NAME	
TOLERANCES UNLESS OTHERWISE SPECIFIED:		APVD K. MALCZYK	TE Connectivity	
0 PLC ± -		PRODUCT SPEC	Buchsenleiste 1)	
1 PLC ± -		APPLICATION SPEC	Einbauhohle 3,6 mm (Variante 1)	
2 PLC ± -		WEIGHT	SIZE	RESTRICTED TO
3 PLC ± -		SCALE	00779	1-1393480-7
4 PLC ± -		CUSTOMER DRAWING	SCALE 2:1	SHEET 2 of 6
ANGLES ± -				REV C
FINISH				

LOC		DIST		REVISIONS			
P	LTR	DESCRIPTION	DATE	DWN	APVD		
GP	00	SEE SHEET 1	-	-	-		

Standardausführung ohne Winkel: V23529-B50x1-Bxxx-+  
 Standardversion without bracket



Schnitt AB des Lötanschlusses  
 Cross-section AB of solderpin  
 (20:1)



Ordercode Sachnr	Contacts Polzahl	Mass/Dimension					
		A	B	C	D	E	F
..-Bx09-+	09	31,19	16,46	25,0 <sup>+0,12</sup> <sub>-0,13</sub>	8,02	12,93	2,74
..-Bx15-+	15	39,52	24,79	33,3 <sup>+0,15</sup> <sub>-0,1</sub>			2,74
..-Bx25-+	25	53,42	38,5	47,04 <sup>+0,13</sup> <sub>-0,13</sub>			2,76
..-Bx37-+	37	69,7	54,96	63,5 <sup>+0,13</sup> <sub>-0,13</sub>			2,76

Anforderungsstufe/Performance level <sup>1)</sup>

OLD PN: V23529-B\*\*\*\*-B\*\*\*-\*-7427

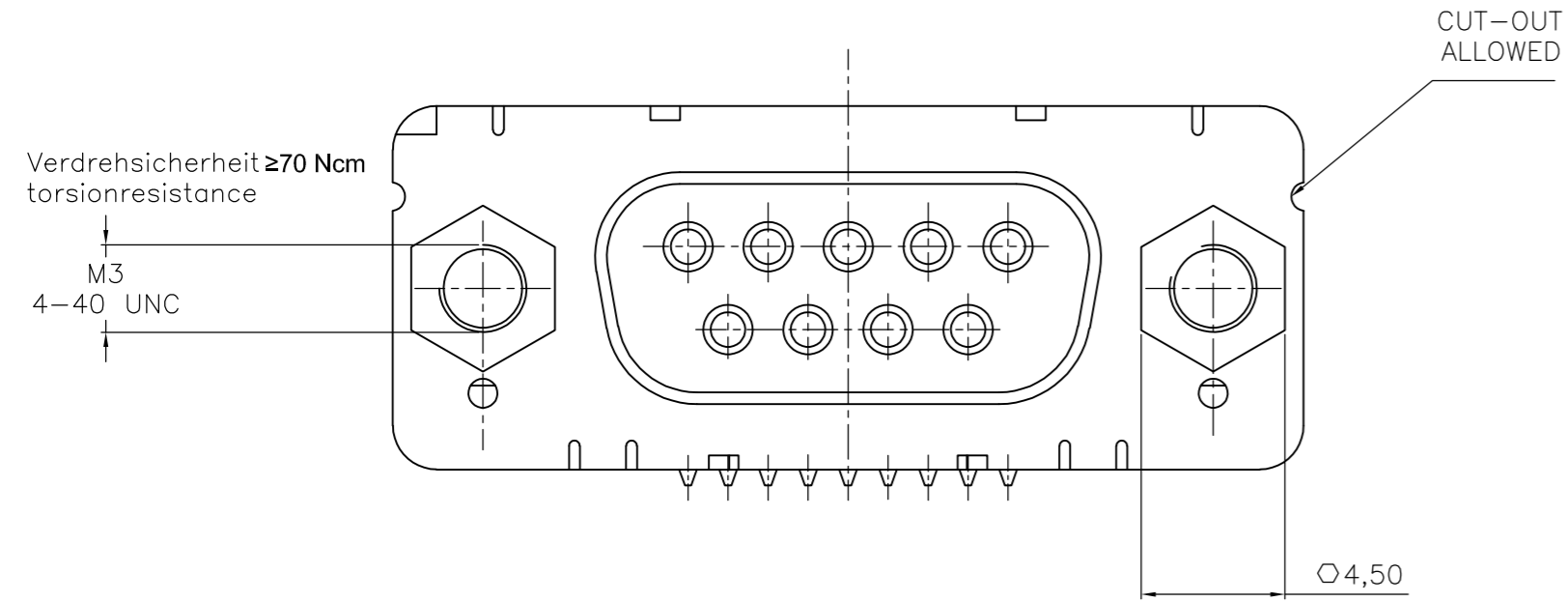
1) nach DIN 41652 T.2 und T.4  
 according to DIN 41652 T.2 AND T.4

THIS DRAWING IS A CONTROLLED DOCUMENT.		DWN GNANI JADAV A E	07JAN10	<b>TE</b> TE Connectivity	
DIMENSIONS: mm		CHK K. MALCZYK	APVD K. MALCZYK		
TOLERANCES UNLESS OTHERWISE SPECIFIED:		PRODUCT SPEC		NAME Buchsenleiste <sup>1)</sup> Einbauhöhe 3,6 mm (Variante 1) Socketconnector-90° solderversion (Type1) <sup>1)</sup>	
MATERIAL		APPLICATION SPEC		SIZE A2	RESTRICTED TO
FINISH		WEIGHT		CAGE CODE 00779	DRAWING NO 1-1393480-7
		CUSTOMER DRAWING		SCALE 2:1	SHEET 3 of 6
				REV C	

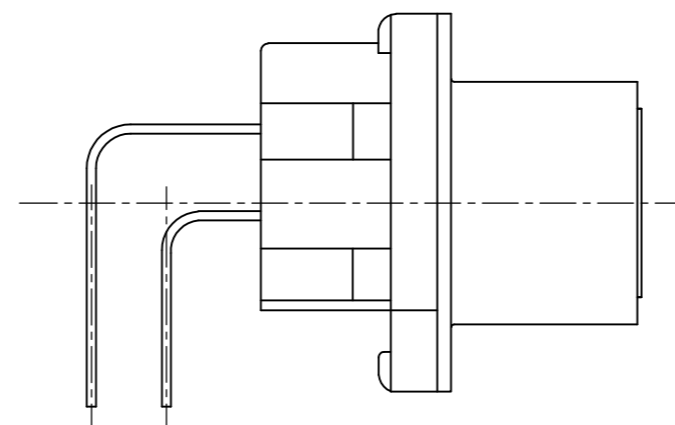
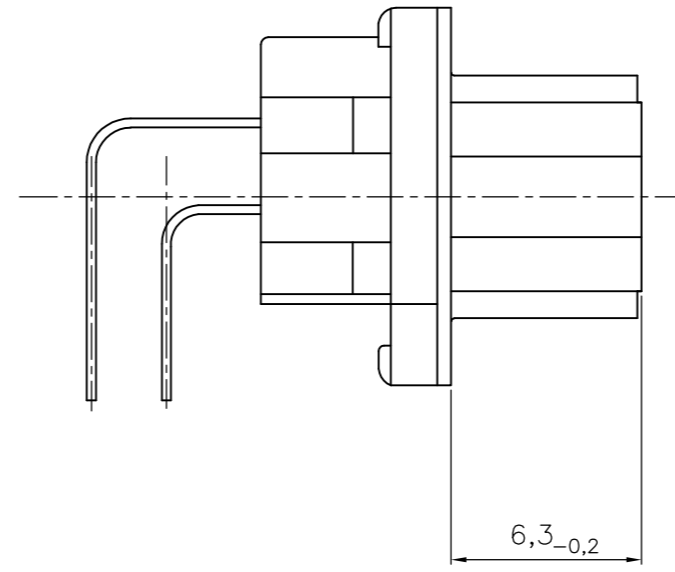
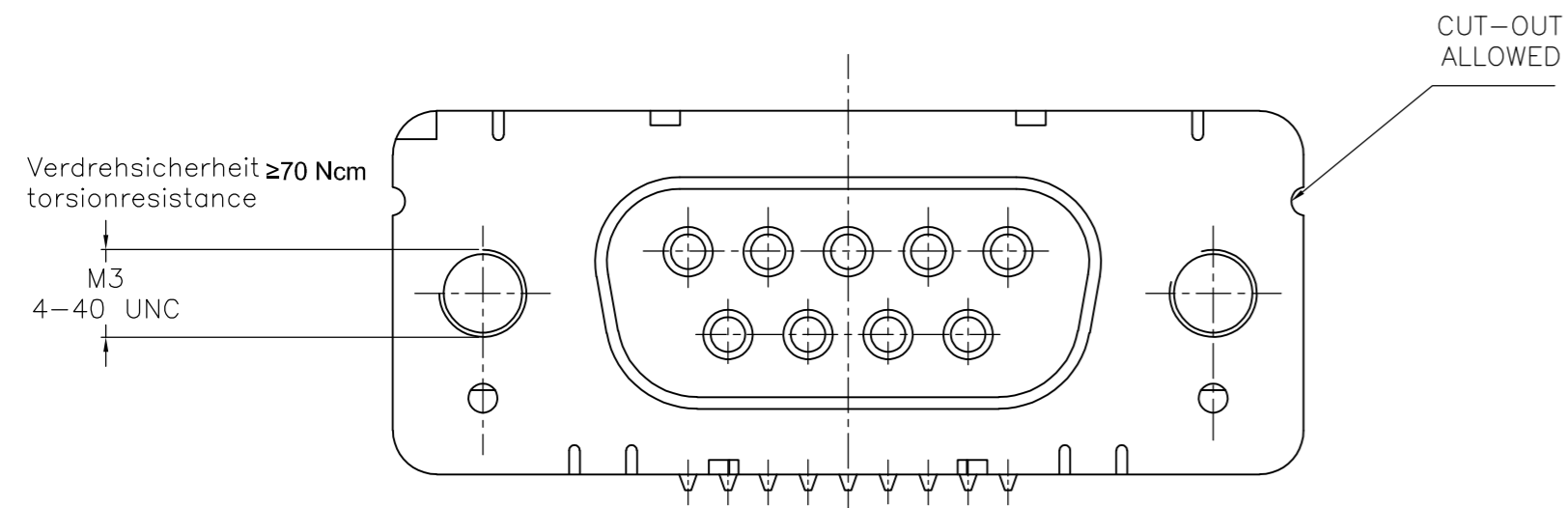
THIS DRAWING IS UNPUBLISHED. RELEASED FOR PUBLICATION  
 © COPYRIGHT - By - ALL RIGHTS RESERVED.

LOC	DIST	REVISIONS			
P	LTR	DESCRIPTION	DATE	DWN	APVD
GP	00	SEE SHEET 1	-	-	-

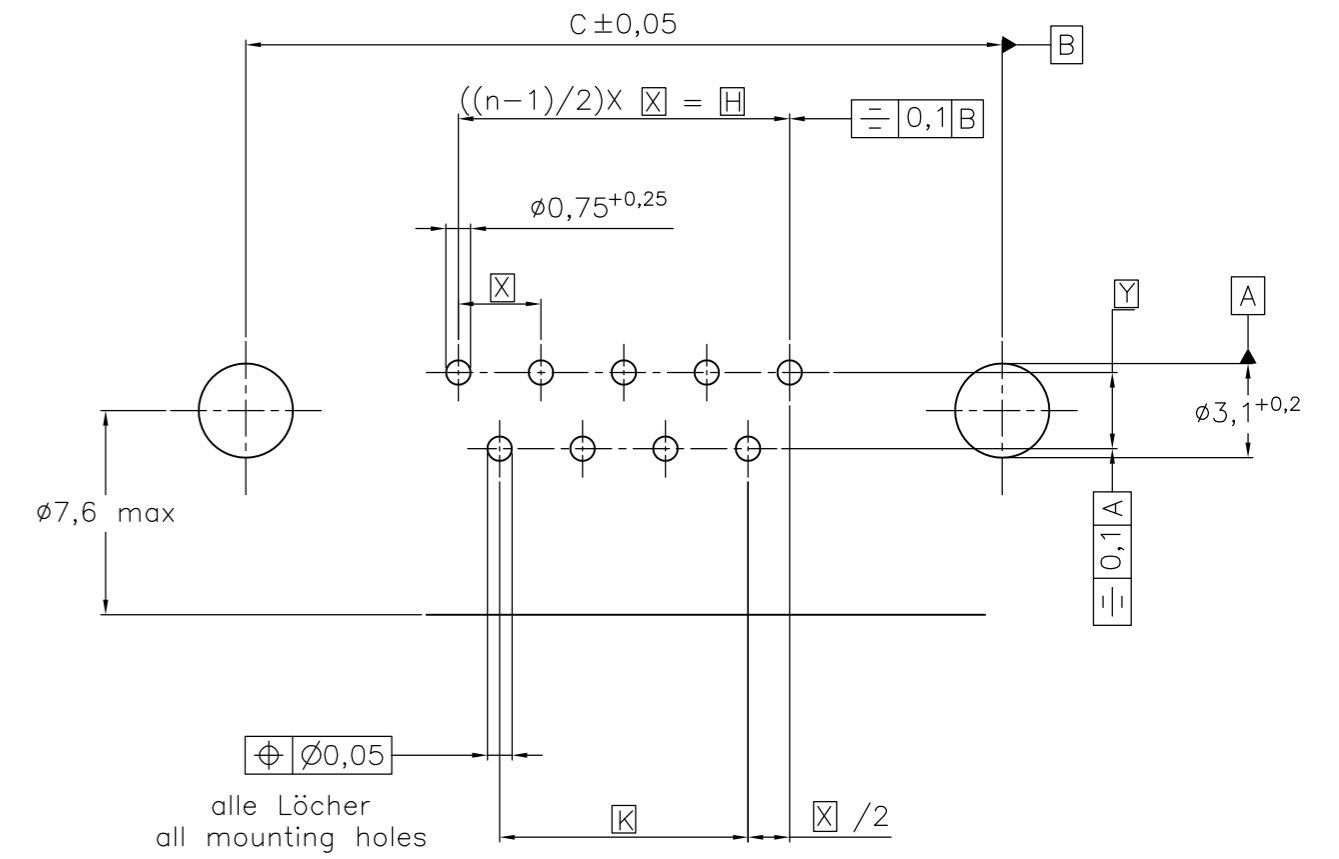
mit Gewindebolzen: M3 V23529-B50x4-Bxxx-+  
 with threadlock 4-40 UNC V23529-B50x5-Bxxx-+



mit Gewinde : M3 V23529-B50x2-Bxxx-+  
 with thread 4-40 UNC V23529-B50x3-Bxxx-+



Leiterplattenbohrung  
 PCB hole pattern



Mass Dimension	Polzahl n Number of contacts n			
	9	15	25	37
C	25	33,3	47,04	63,5
H	10,96	19,18	33,12	49,68
K	8,22	16,44	30,36	46,92
X	2,74	2,74	2,76	2,76
Y	2,54			

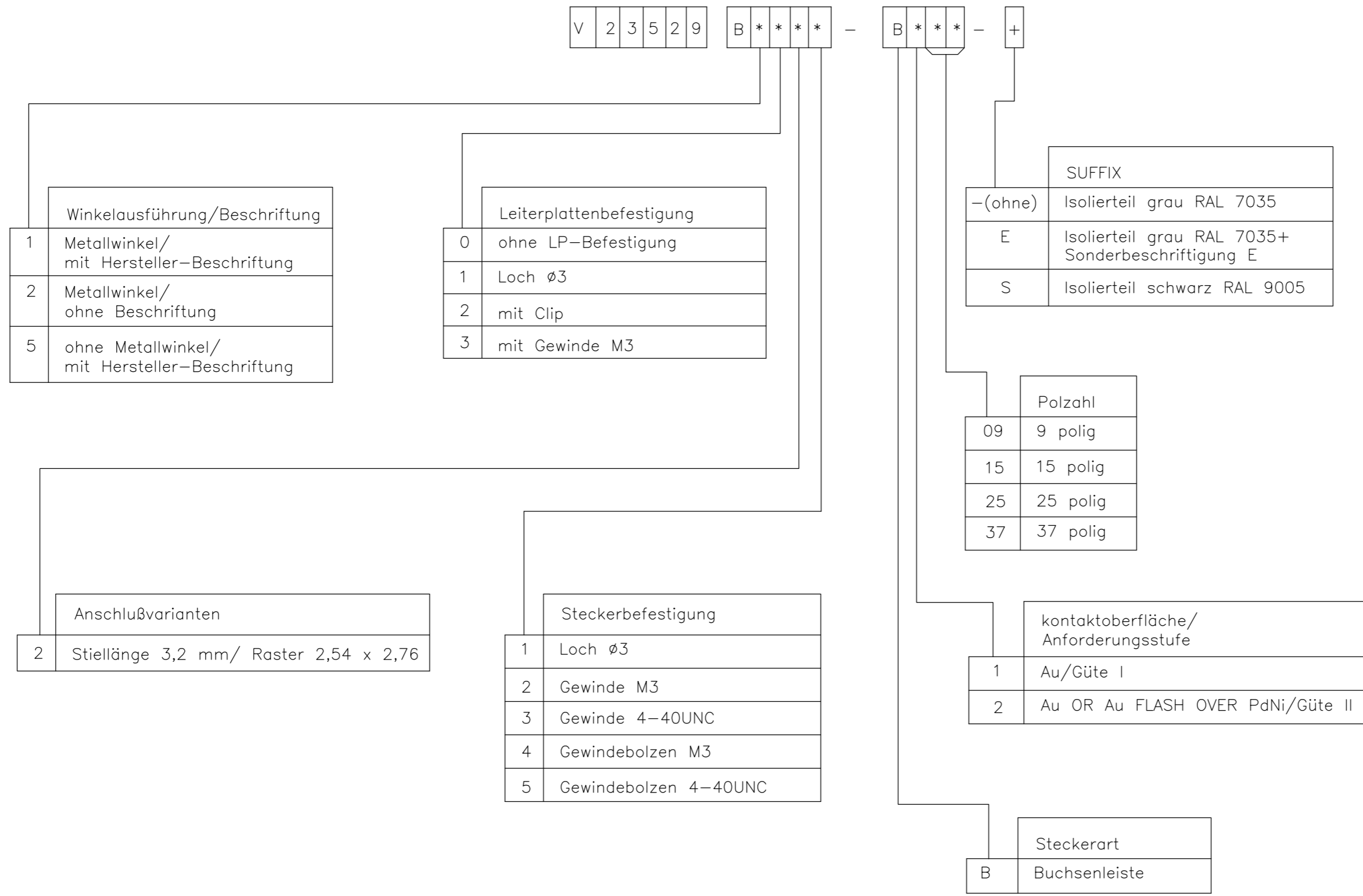
1) nach DIN 41652T.2 und T.4  
 according to DIN 41652 T.2 AND T.4

OLD PN: V23529-B\*\*\*\*-B\*\*\*-\*-7427

THIS DRAWING IS A CONTROLLED DOCUMENT.		DWN GNANI JADAV A E	07JAN10	TE Connectivity	
DIMENSIONS: mm		CHK K. MALCZYK	APVD K. MALCZYK	NAME Buchsleistenleiste Einbauhöhe 3,6 mm (Variante 1) Socketconnector-90° solderversion (Type1) <sup>1)</sup>	
TOLERANCES UNLESS OTHERWISE SPECIFIED: 0 PLC ± - 1 PLC ± - 2 PLC ± - 3 PLC ± - 4 PLC ± - ANGLES ± -		PRODUCT SPEC	APPLICATION SPEC	SIZE A2	CAGE CODE 00779
MATERIAL		WEIGHT	SCALE 2:1	DRAWING NO C=1-1393480-7	RESTRICTED TO
		CUSTOMER DRAWING	SHEET 4 of 6	REV C	

THIS DRAWING IS UNPUBLISHED. RELEASED FOR PUBLICATION  
 © COPYRIGHT - By - ALL RIGHTS RESERVED.

LOC		DIST		REVISIONS			
P	LTR	DESCRIPTION		DATE	DWN	APVD	
GP	00	-	-	SEE SHEET 1	-	-	



1) nach DIN 41652T.2 und T.4  
 according to DIN 41652 p.2 AND p.4

OLD PN: V23529-B\*\*\*\*\*-B\*\*\*-\*-7427

THIS DRAWING IS A CONTROLLED DOCUMENT.		DWN	07JAN10	GNANI JADAV A E	
DIMENSIONS: mm		CHK	-	K. MALCZYK	
TOLERANCES UNLESS OTHERWISE SPECIFIED:		APVD	-	K. MALCZYK	
0 PLC ± -		PRODUCT SPEC	-	NAME	
1 PLC ± -		APPLICATION SPEC	-	Buchsenleiste	
2 PLC ± -		WEIGHT	-	Einbauhöhe 3,6 mm (Variante 1) <sup>1)</sup>	
3 PLC ± -		SCALE	2:1	Socketconnector-90° solderversion (Type1) <sup>1)</sup>	
4 PLC ± -		SHEET	5 of 6	RESTRICTED TO	
ANGLES ± -		REV	C	-	
FINISH		CUSTOMER DRAWING			
MATERIAL		A2 00779 C=1-1393480-7			

THIS DRAWING IS UNPUBLISHED. RELEASED FOR PUBLICATION  
 © COPYRIGHT - By - ALL RIGHTS RESERVED.

LOC	DIST	REVISIONS			
P	LTR	DESCRIPTION	DATE	DWN	APVD
GP	00	SEE SHEET 1	-	-	-


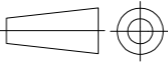
Active part numbers. Contact TE CONNECTIVITY for other configuration availability

Old Part Number	TE CONNECTIVITY Part Number	
V23529-B1121-B209	1-1393480-7	
V23529-B1121-B215	1-1393480-8	OBSOLETE
V23529-B1121-B225	1-1393480-9	
V23529-B1121-B237	2-1393480-0	OBSOLETE
V23529-B1122-B209	2-1393480-8	
V23529-B1122-B215	2-1393480-9	
V23529-B1122-B225	3-1393480-0	OBSOLETE
V23529-B1122-B237	3-1392010-8	
V23529-B1123-B109	3-1393480-4	
V23529-B1123-B209	3-1393480-6	
V23529-B1123-B215	3-1393480-7	
V23529-B1123-B225	3-1393480-8	OBSOLETE
V23529-B1123-B237	3-1393480-9	
V23529-B1125-B209	4-1393480-7	OBSOLETE
V23529-B1125-B215	4-1393480-8	OBSOLETE
V23529-B1125-B225	4-1393480-9	
V23529-B1125-B237	5-1393480-0	OBSOLETE
V23529-B1221-B209	5-1393480-5	
V23529-B1221-B215	5-1393480-6	
V23529-B1221-B225	5-1393480-7	OBSOLETE
V23529-B1222-B109	6-1393480-4	

Old Part Number	TE CONNECTIVITY Part Number	
V23529-B1222-B115	6-1393480-5	
V23529-B1222-B125	6-1393480-6	
V23529-B1222-B209	6-1393480-7	
V23529-B1222-B215	6-1393480-8	OBSOLETE
V23529-B1222-B225	6-1393480-9	OBSOLETE
V23529-B1222-B237	7-1393480-0	OBSOLETE
V23529-B1223-B109	7-1393480-8	
V23529-B1223-B115	7-1393480-9	
V23529-B1223-B125	8-1393480-0	
V23529-B1223-B209	8-1393480-1	
V23529-B1223-B215	8-1393480-2	OBSOLETE
V23529-B1223-B225	8-1393480-3	OBSOLETE
V23529-B1223-B237	8-1393480-4	OBSOLETE
V23529-B1224-B209	9-1393480-0	
V23529-B1224-B215	9-1393480-1	
V23529-B1224-B225	9-1393480-2	OBSOLETE
V23529-B1225-B209	9-1393480-9	
V23529-B1225-B215	1393481-1	OBSOLETE
V23529-B1225-B225	1393481-2	OBSOLETE
V23529-B1225-B237	3-1392010-7	OBSOLETE
V23529-B2221-B209	1-1393481-1	

1) nach DIN 41652 T.2 und T.4 according to DIN 41652 p.2 AND p.4

OLD PN: V23529-B\*\*\*\*-B\*\*\*-\*-7427

THIS DRAWING IS A CONTROLLED DOCUMENT.		DWN 07JAN10 GNANI JADAV A E	 TE Connectivity	
DIMENSIONS: mm		CHK K. MALCZYK		
		APVD K. MALCZYK	NAME Buchsenleiste <sup>1)</sup> Einbauhöhe 3,6 mm (Variante 1) Socketconnector-90° solderversion (Type1) <sup>1)</sup>	
TOLERANCES UNLESS OTHERWISE SPECIFIED:		PRODUCT SPEC	SIZE A2	CAGE CODE 00779
0 PLC ± - 1 PLC ± - 2 PLC ± - 3 PLC ± - 4 PLC ± - ANGLES ± -		APPLICATION SPEC	DRAWING NO C=1-1393480-7	RESTRICTED TO -
MATERIAL -		WEIGHT -	SCALE 2:1	SHEET 6 of 6
CUSTOMER DRAWING			REV C	

1-1393480-7

## X-ON Electronics

Largest Supplier of Electrical and Electronic Components

*Click to view similar products for [D-Sub Standard Connectors](#) category:*

*Click to view products by [TE Connectivity](#) manufacturer:*

Other Similar products are found below :

[DCM37S732N](#) [DAM15P500](#) [DEV09S364GTLF](#) [DEM09P032N](#) [DDM50P732N](#) [DAM15S332N](#) [173109-2218](#) [173109-2466](#) [173109-2436](#)  
[173109-2435](#) [56F706-005-LI](#) [56F711-015](#) [015-0341-000](#) [015-0372-008](#) [015-8544-011](#) [017041-0005](#) [012-0515-000](#) [012-9507-034](#) [012-9507-114](#) [012-9534-001](#) [020745-0008](#) [609-25P](#) [M24308/2-23Z](#) [M243082310F](#) [M243082410F](#) [M243082411F](#) [M24308/4-21](#) [CT1A18-11PSA206](#)  
[CT1N36-5SC](#) [CT2-16S-17PS](#) [CT2-20-15PCAU](#) [CT2-24-12PS](#) [CT2-24-28PSF127A206](#) [CT2-32-9PC](#) [CT6F9767-14-4-14S-5PC](#)  
[CT6FA10SL-4PS](#) [CT7-18-10SC](#) [CT7-18-10SCAU](#) [CT7-18-12SCAU](#) [CT7-18-1PC](#) [CT7-18-1PCAU](#) [CT7-18-21SCAU](#) [M83513/01-FC](#)  
[M83723/76W24619 L/C](#) [M85049/48-3-2F](#) [69001-865](#) [6STD09PCM99B70X](#) [6STD09SCT99S40X](#) [6STD15PCT99S40X](#)  
[6STD15SCM99B30X](#)