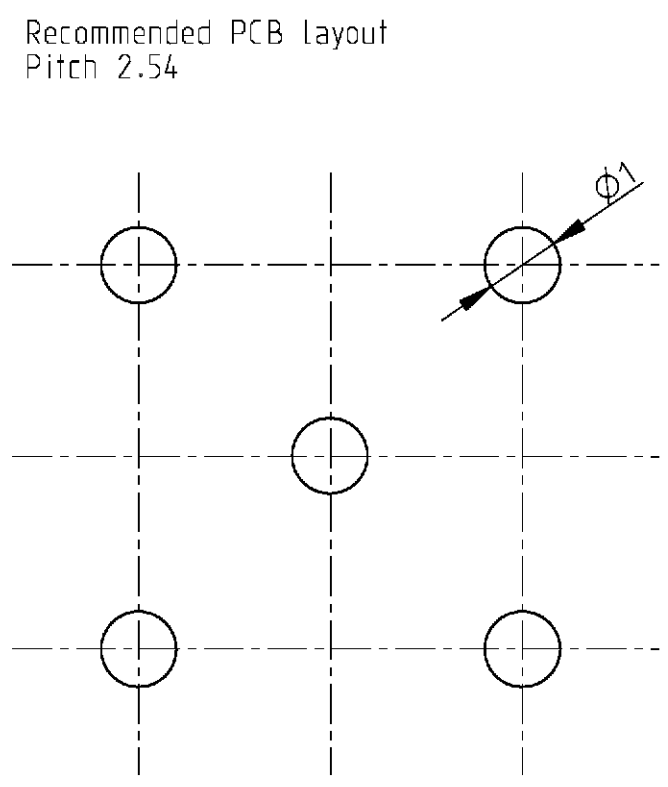
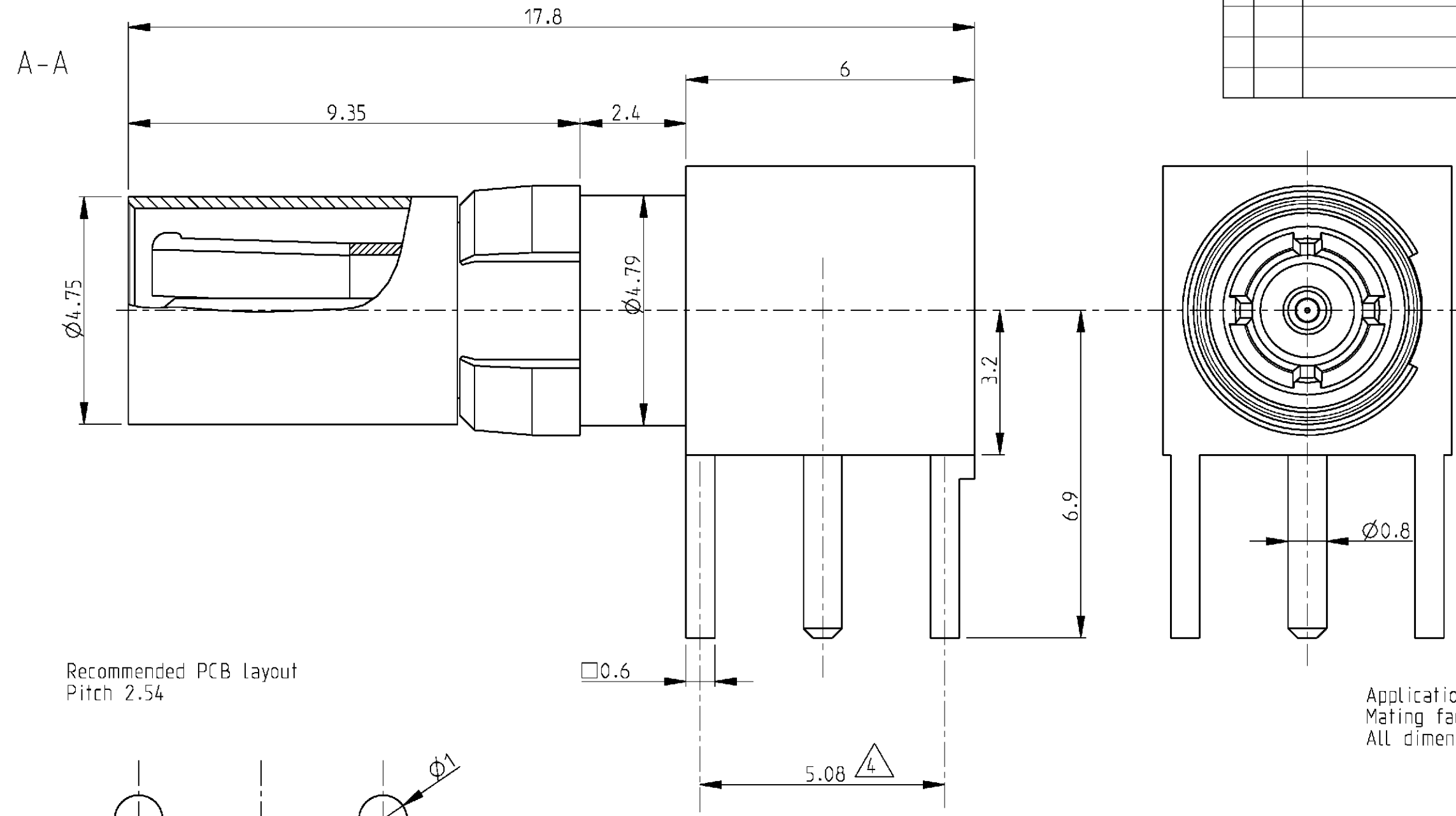


THIS DRAWING IS UNPUBLISHED. RELEASED FOR PUBLICATION 2000
 © COPYRIGHT 2000 BY TYCO ELECTRONICS CORPORATION. ALL RIGHTS RESERVED.

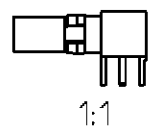
LOC	DIST	REVISIONS			
P	LTR	DESCRIPTION	DATE	DWN	APVD
GW	-	A1	SR10-0146-01	09APR2001	CM KM



Application : female connectors : DIN41612
 Mating face according to DIN 41612 , Part 2
 All dimensions are max. dimensions

V23601-A1127-E1	1-1393662-2	Dielectric	PTFE	
		Outer Con.	Cu Be	1µm Au min in contact area
		Center Con.	Brass	1µm Au min in contact area
Old Nr	Tyco Nr	Description	Material	Plating

<small>THIS DRAWING IS A CONTROLLED DOCUMENT FOR TYCO ELECTRONICS CORPORATION. IT IS SUBJECT TO CHANGE AND THE CONTROLLING ENGINEERING ORGANIZATION SHOULD BE CONTACTED FOR THE LATEST REVISION.</small>		DWN MOROBE 04APR2001 CHK MATTHEEUW 9APR2001 APVD LEEMAN 9APR2001		tyco Tyco Electronics Electronics Oostkamp - Belgium	
DIMENSIONS: mm 		TOLERANCES UNLESS OTHERWISE SPECIFIED: 0 PLC ±0.5 1 PLC ±0.13 2 PLC ±0.013 3 PLC ±0.0001 4 PLC ANGLES ±		NAME BULKHEAD ANGLE PLUG WITH PCB CONNECTION 1.0/2.3 INSERT 50 Ohm	
MATERIAL - FINISH -		PRODUCT SPEC 108-71032 APPLICATION SPEC - WEIGHT -		SIZE A3 CAGE CODE 00779 DRAWING NO. 1-1393662-2 RESTRICTED TO -	
RESTRICTED CUSTOMER				SCALE 10/1 SHEET 1 OF 1 REV A1	



X-ON Electronics

Largest Supplier of Electrical and Electronic Components

Click to view similar products for [DIN 41612 Connectors](#) category:

Click to view products by [TE Connectivity](#) manufacturer:

Other Similar products are found below :

[09231126901](#) [PCN10F-24P-2.54DS\(72\)](#) [004.767](#) [02221602702](#) [024069](#) [602427301412000](#) [013275](#) [691327-1](#) [74670-0732](#) [74680-0340](#)
[75880-0015](#) [76453-0014](#) [86093159ALF](#) [923454](#) [QLC260R](#) [120X10099X](#) [120X10019X](#) [120X10089X](#) [120X10129X](#) [121A10039X](#)
[121A10309X](#) [122A10019X](#) [122A10029X](#) [122A10249X](#) [122A10669X](#) [122A11089X](#) [122A13089X](#) [121B10409X](#) [122A10089X](#)
[122A10129X](#) [122A10349X](#) [122A13359X](#) [1377391-4](#) [DIN-048CPC-SR1-MH](#) [1393583-2](#) [1393726-7](#) [140X10059X](#) [140X10129X](#) [143-1913-](#)
[000](#) [143-1908-000](#) [1484472-1](#) [173052](#) [2110070-1](#) [2110070-2](#) [CBC20T00-008FDS5-0-1-002VR](#) [983-0SE12-12P6](#) [17041102202](#) [172699-](#)
[5036](#) [173051](#) [20](#) [8457096](#) [010](#) [025](#)