


Product information

RKMWV - RKMWV 4-07/5 M

Industrial Connecting Solutions: Circular Connectors: M8 - M12 Connectors: M8 Connectors: Overmolded single ended M8 cord sets: female connector: Standard Types, with threaded joint or snap-in joint: RKMWV

http://e-catalog.hirschmann.com/link/57078-24228-256281-256292-256303-250524-250526-250528-251241/en/RKMWV4_007_0500/uistate

| | |
|---------------------------------------|---|
| Name | RKMWV |
| |  |
| | Cordsets, single-ended, for actuator/sensors and distribution boxes, M8 female connector, angled, with self-locking threaded joint and molded cable, 4 poles, PVC jacket, orange, 5 meters. |
| Delivery informations | |
| Availability | available |
| Product description | |
| Type | RKMWV 4-07/5 M |
| Order No. | 11331 |
| Description | Cordsets, single-ended, for actuator/sensors and distribution boxes, M8 female connector, angled, with self-locking threaded joint and molded cable, 4 poles, PVC jacket, orange, 5 meters. |
| Note | The application of these products in harsh environments should always be checked before use. |
| Number of contacts | 4 |
| Color of housing | black translucent |
| Product characteristics | Vibration resistance |
| Classification | |
| Belden brand | Lumberg-Automation |
| Mechanical data | |
| Type of plug-in contact | Female connector |
| Design of housing | angled |
| Thread | M8 |
| Design of electrical connection | connector M8 |
| LED display present | ✘ |
| Environmental conditions | |
| Environmental temperature | -40 °C ... 90 °C |
| Degree of protection (IP), mounted | IP67 / IP69K |
| Pollution degree | 3 |
| Materials | |
| Housing material / Molded body | TPU |
| Contact bearer material | PA/TPU |
| Contact material | CuZn |
| Contact material - Surface refinement | pre-nickelated and 0.8 microns gold-plated |
| Knurled screw / nut material | CuZn, nickel-plated |
| Sealing material | FKM |
| Electrical data | |
| Contact resistance | ≤ 5 mΩ |
| Rated current I _n | 4 A at 40°C |
| Nominal voltage | 30 V |
| Rated voltage | 36 V |
| Test voltage | 0.8 kV eff./60 s |
| Insulation resistance | > 1 GΩ |
| Approvals | |
| Approvals | UL |
| Cable | |
| Cable length | 5 m |

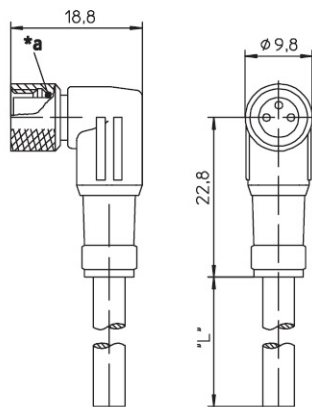
Industrial Connecting Solutions: Circular Connectors: M8 - M12 Connectors: M8 Connectors: Overmolded single ended M8 cord sets: female connector: Standard Types, with threaded joint or snap-in joint: RKMWV

http://e-catalog.hirschmann.com/link/57078-24228-256281-256292-256303-250524-250526-250528-251241/en/RKMWV4_007_0500/uistate

| | |
|---------------------------------------|--------------------------|
| Cable number | 07 |
| Cable description | Sensor connecting cable |
| Color of jacket | orange |
| Material of outer jacket | PVC |
| Without halogens as in EN 50267-2-3 | ✘ |
| shielded | ✘ |
| welding spark proof | ✘ |
| Outer diameter of the cable | 5.0 mm |
| Number of conductors | 4 |
| Cable design | 4 x 0.25 mm ² |
| Conductor design | 32 x 0.10 mm |
| Flame resistant according to standard | none |

Picture

Drawing



*a O-Ring
O-ring

**4-polig
4 poles**



- 1 = braun / brown
- 2 = weiß / white
- 3 = blau / blue
- 4 = schwarz / black

Belden Deutschland GmbH

Im Gewerbepark 2
 58579 Schalksmühle
 Germany
 Phone: +49 7127/14-1806
 E-Mail: icos-sales@belden.com

The information published in the websites has been compiled as carefully as possible. It is subject to alteration without notice in technical as well as in price-related/commercial respect. The complete information and data were available on user documentation. Mandatory information can only be obtained by a concrete query.

X-ON Electronics

Largest Supplier of Electrical and Electronic Components

Click to view similar products for [Circular MIL Spec Connector](#) category:

Click to view products by [Lumberg](#) manufacturer:

Other Similar products are found below :

[89075GULPR](#) [0025-262-542](#) [0025-264-3014](#) [58-570121-04S](#) [0134-213-1208](#) [0134-213-2209](#) [0025-258-000](#) [60-042022-07P](#) [60-042022-19P](#)
[60-042022-23P](#) [60-042217-10P](#) [0114-201-1278](#) [012-0467-000](#) [602GB06EG24-61SN](#) [0134-201-1207](#) [0134-213-1006](#) [6104-207-2302](#) [6104-](#)
[208-1902](#) [61-168211-04P](#) [61-168617-10P](#) [6131-202-19149P](#) [6131-204-21149P](#) [6131-208-13149P](#) [6131-209-17149P](#) [6131-210-11149P](#) [6131-](#)
[211-19149P](#) [6131-216-19149P](#) [6131-259-21149P](#) [6131-259-23149P](#) [6131-265-17149P](#) [6131-265-19149P](#) [CS3100A18-1P-472](#) [CS3100A-36-](#)
[77P](#) [CS3101A-16-55P](#) [CS3102A-10SL-55P](#) [CS3102A-14S-58P](#) [CS3102A-32-17P](#) [CS3102A32-25S](#) [CS3102C18-4P-472](#)
[CS3106A10SL3S004](#) [CS3106A-18-73S](#) [CS3108A-14S-52S](#) [CS3108A-28-51S](#) [6162-233-1277](#) [6162-324-1231](#) [M243082296Z](#)
[M2884010AC1S1](#) [CT0-24-10SC](#) [CT0M20-7PCAU](#) [M28840/17AC1G3](#)