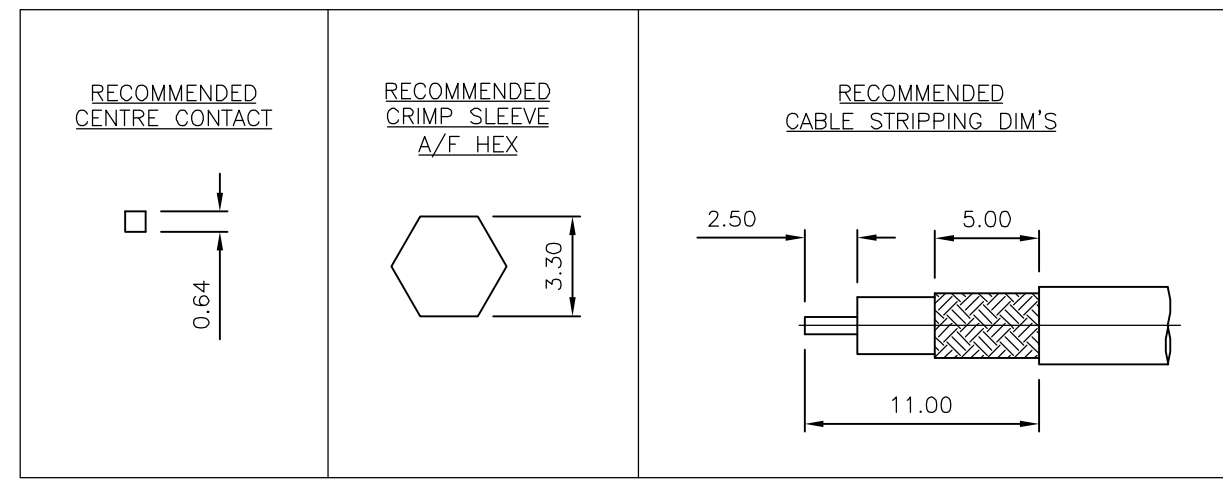
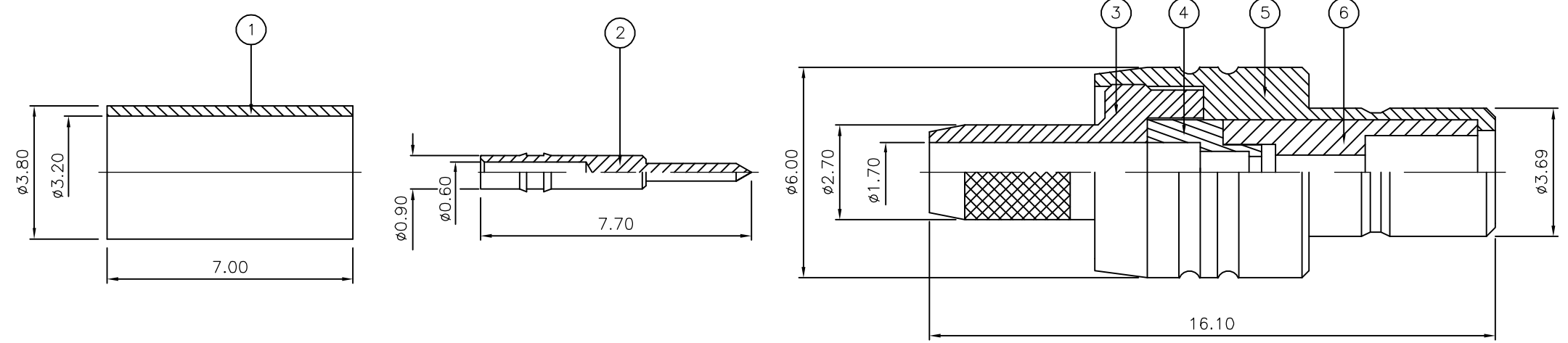


THIS DRAWING IS UNPUBLISHED. RELEASED FOR PUBLICATION JAN ,2006.  
 © COPYRIGHT 2006 BY TYCO ELECTRONICS CORPORATION. ALL RIGHTS RESERVED.

| LOC | DIST | REVISIONS |     |               |         |     |      |
|-----|------|-----------|-----|---------------|---------|-----|------|
| E   | B    | P         | LTR | DESCRIPTION   | DATE    | DWN | APVD |
|     |      | C         |     | ECR-05-017969 | 10JAN06 | JMS | FWK  |

- NOTES:
- ① PACK IN ACCORDANCE WITH AMP SPEC 107-3275
  - ② 100 TRAY PACK IN ACCORDANCE WITH AMP SPEC 107-3275
  - ③ Au PLATING
  - 4 HAND TOOL : 9-1478240-0
  - 5 DIE SET : 9-1478248-0
  - 6 ELECTRICAL CHARACTERISTICS  
 FREQUENCY RANGE: DC - 4 GHz  
 NOMINAL IMPEDANCE: 50 Ohm  
 INSULATION RESISTANCE: 1000 MOhm  
 WORKING VOLTAGE: 250 Volts RMS at Sea Level  
 DIELECTRIC WITHSTAND VOLTAGE: 750 Volts RMS Max  
 CONTACT RESISTANCE:  
 CENTRE CONTACT: 6.00 mOhm Max  
 OUTER CONTACT: 1.00 mOhm Max  
 VSWR @ 3GHz: 1.35:1  
 INSERTION LOSS dB @ x 1.5 GHz: 0.30 Max
  - 7 MECHANICAL CHARACTERISTICS  
 COUPLING NUT RETENTION FORCE: N/A  
 CABLE RETENTION FORCE: 85N Min  
 RG174A/U, 188A/U, 316/U, URM95: 500 Cycles Min  
 DURABILITY:
  - 8 ENVIRONMENTAL CHARACTERISTICS  
 OPERATING TEMPERATURE: -65 to +165 DegC



| QTY  | QTY PER ASSY | MATERIAL | DESCRIPTION | ITEM |
|------|--------------|----------|-------------|------|
| 1    | 1            | PTFE     | INSULATION  | 6    |
| 1    | 1            | BRASS    | BODY        | 5    |
| 1    | 1            | PE       | INSULATION  | 4    |
| 1    | 1            | BRASS    | CHASSIS     | 3    |
| 1    | 1            | BRASS    | CONTACT     | 2    |
| 1    | 1            | BRASS    | FERRULE     | 1    |
| 6--0 | 1--0         | MATERIAL | DESCRIPTION | ITEM |

THIS DRAWING IS A CONTROLLED DOCUMENT.

|                  |                |         |
|------------------|----------------|---------|
| DWN              | J.SANDWELL     | 10JAN06 |
| CHK              | S.PARLOW       | 10JAN06 |
| APVD             | F.WHEELER-KING | 10JAN06 |
| PRODUCT SPEC     | -              |         |
| APPLICATION SPEC | 411-3247       |         |
| WEIGHT           | -              |         |
| MATERIAL         | SEE TABLE      |         |
| FINISH           | -              |         |

**tyco Electronics** Tyco Electronics Corporation  
Bideford EX39 4HE

NAME: SMB STRAIGHT JACK CRIMP 50 OHM  
RG174A/U, 188A/U, 316/U, URM95, KX3B, KX22A

|      |           |            |               |
|------|-----------|------------|---------------|
| SIZE | CAGE CODE | DRAWING NO | RESTRICTED TO |
| A3   | 00779     | C-1337477  | -             |

CUSTOMER DRAWING SCALE NTS SHEET 1 OF 1 REV C

## X-ON Electronics

Largest Supplier of Electrical and Electronic Components

*Click to view similar products for [RF Connectors / Coaxial Connectors](#) category:*

*Click to view products by [TE Connectivity](#) manufacturer:*

Other Similar products are found below :

[R125315120](#) [8915-1511-000](#) [89674-0827](#) [5916-1103-603](#) [0106-001-000](#) [6-0001-3](#) [6001-7071-019](#) [6002-7051-003](#) [6002-7551-202](#) [6059674-1](#) [619550-1](#) [630059-000](#) [M39012/25-0021](#) [M39012/79-3008](#) [M39030/3-01N](#) [M39030/3-03N](#) [M3933/25-29N](#) [M3933/25-36N](#) [6500-7071-046](#) [6501-1071-002](#) [M83723/72W24576](#) [M83723/72W2457N](#) [6769](#) [CX050L2AQ](#) [7002-1541-010](#) [7002-1572-002](#) [7003-1572-002](#) [7004-1512-000](#) [7009-1511-004](#) [7010-1511-000](#) [7029-1511-060](#) [7101-1541-010](#) [7101-1571-002](#) [7105-1521-002](#) [7145-1521-002](#) [7209-1511-011](#) [7210-1511-012](#) [7210-1511-015](#) [7210-1511-019](#) [7210-1511-040](#) [7225-1512-050](#) [7242-1511-000](#) [73137-5015](#) [73251-0111](#) [73251-0672](#) [73276-1501](#) [73366-0013](#) [73404-2300](#) [73413-6080](#) [734151610](#)