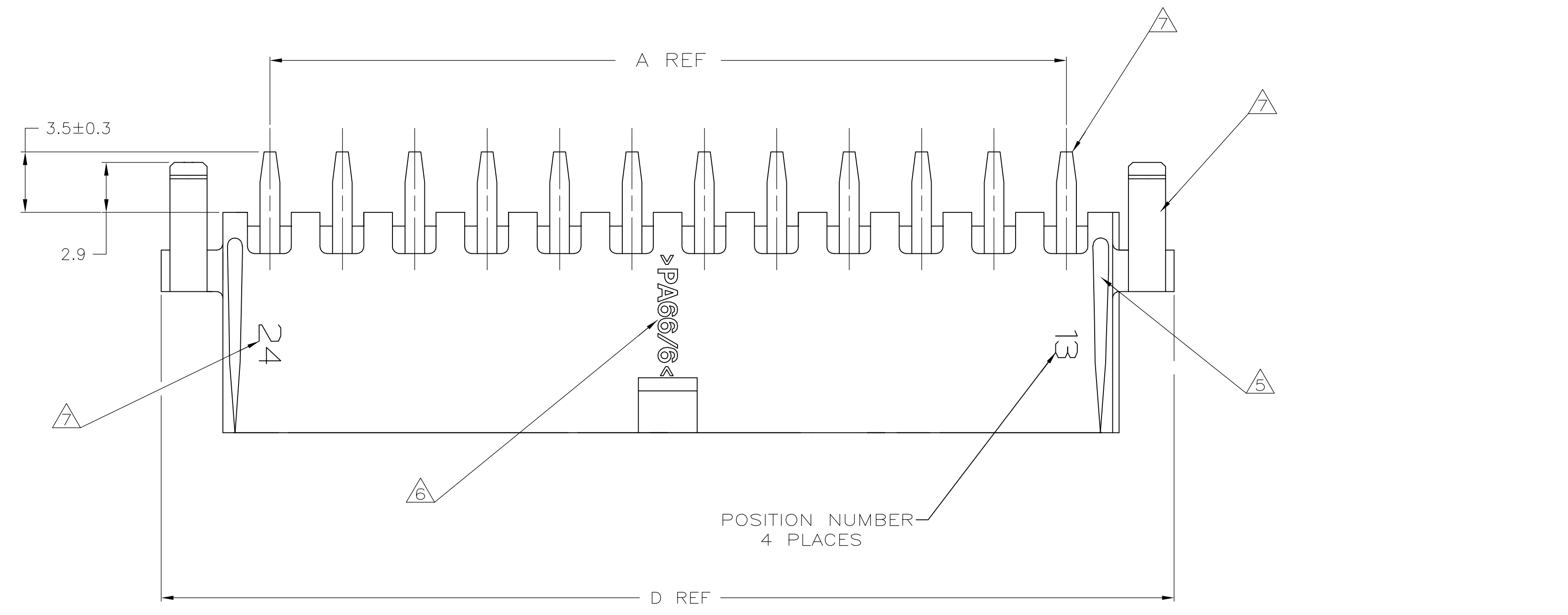
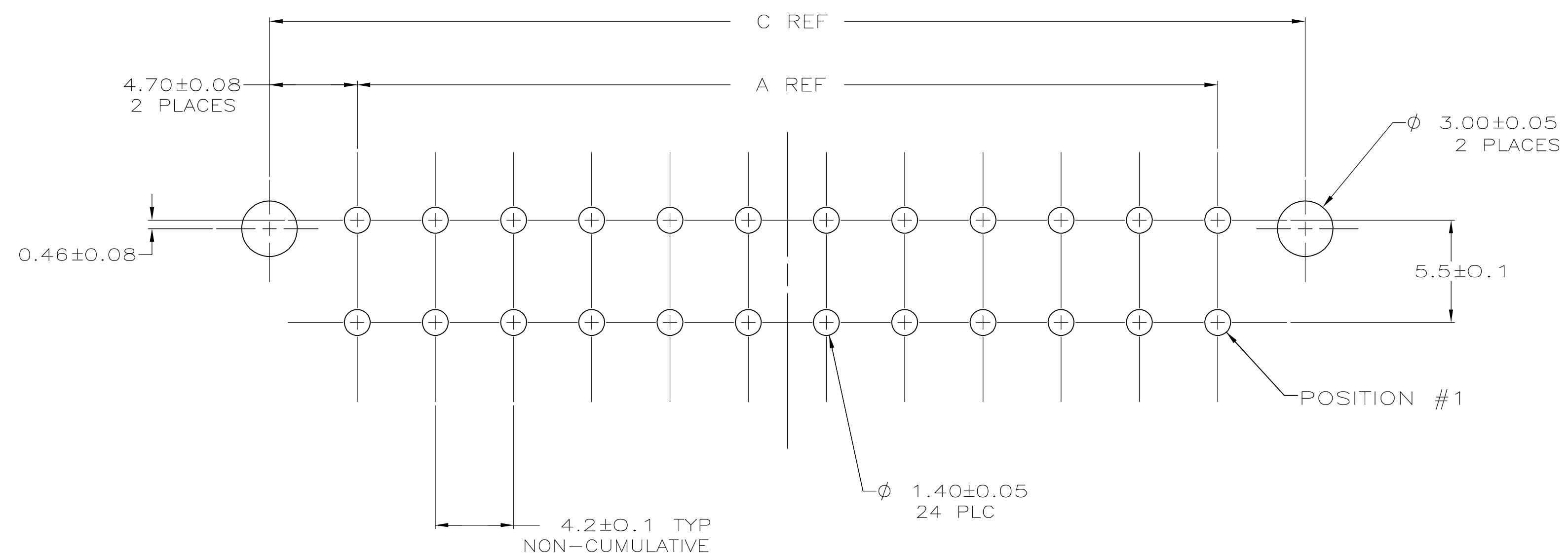
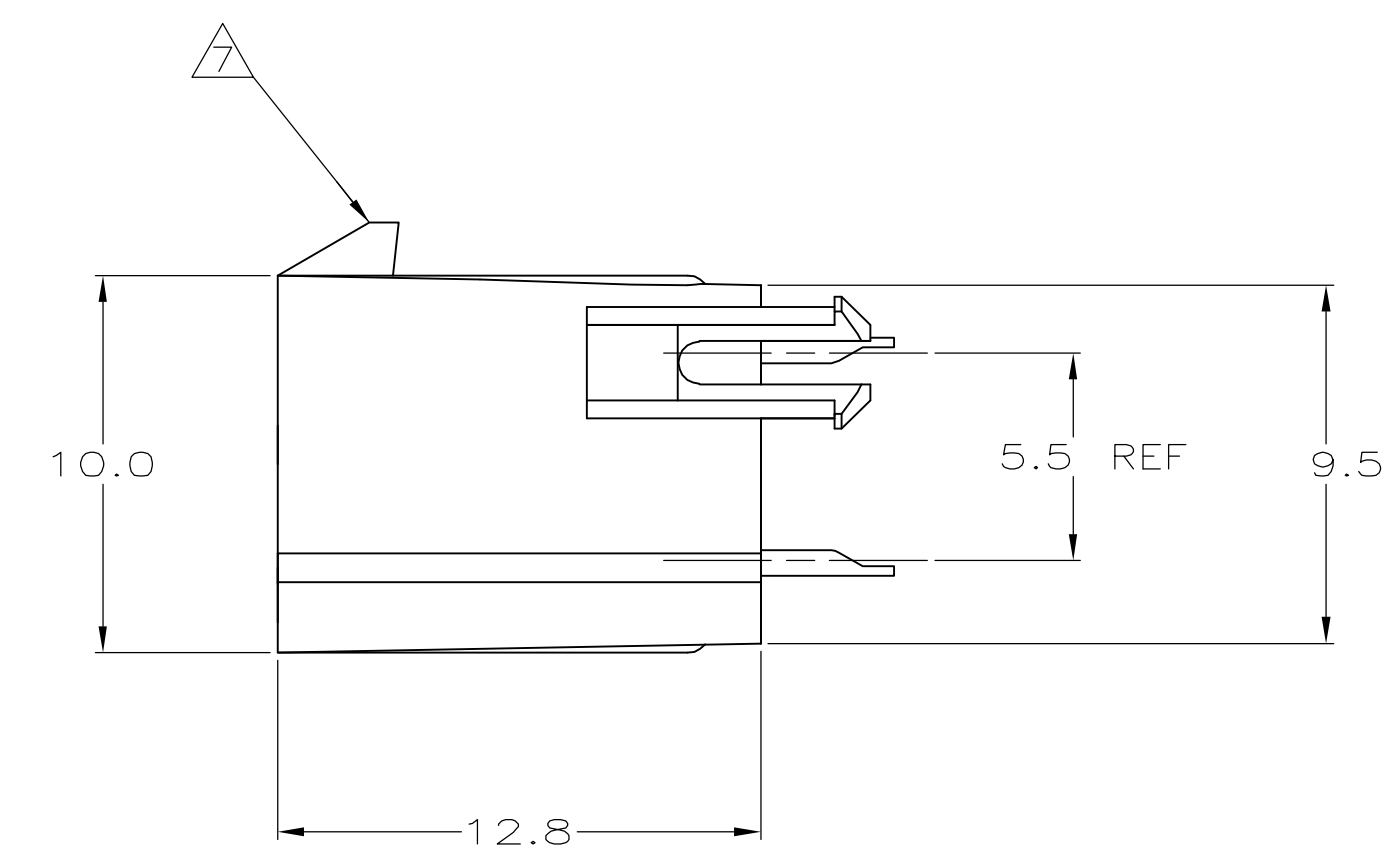
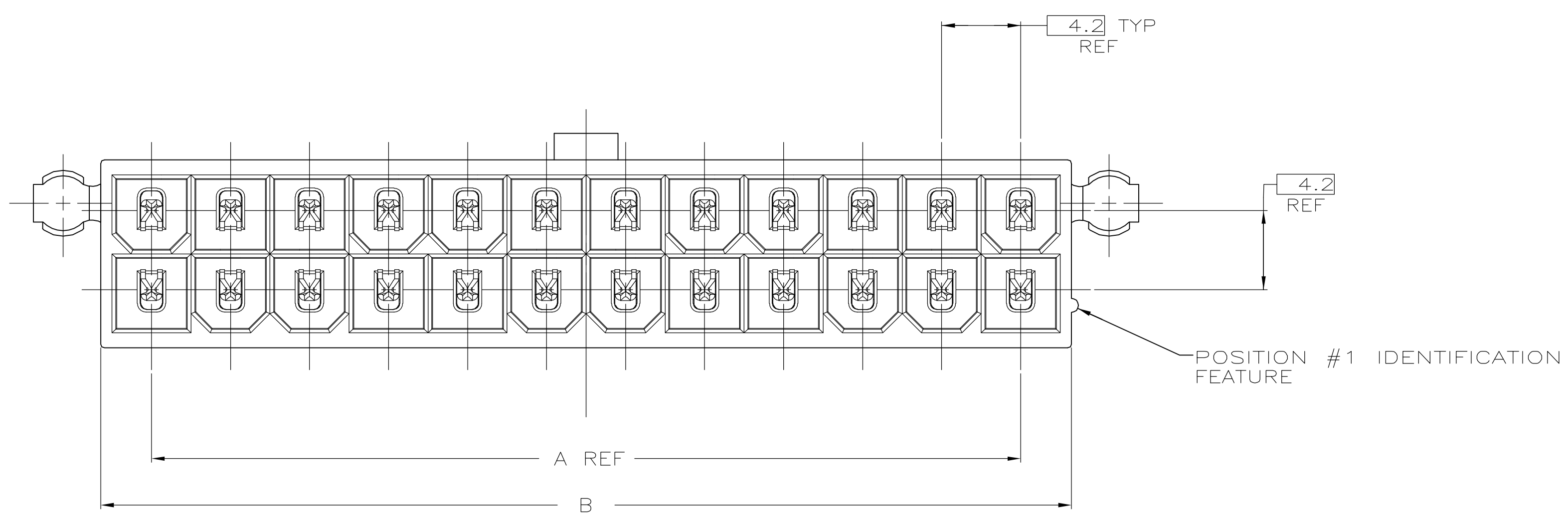


LOC		DIST		REVISIONS				
CM	00	REV	DATE	BY	APP'D	DATE	BY	
		01	11OCT05	REVIS	PER	ECO-05-009878	KW	DC

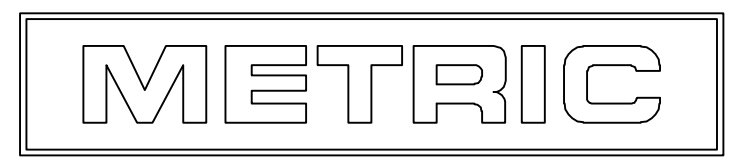


- △ MATERIAL: HOUSING - NYLON, UL94V-0 (COLOR - WHITE, COLOR OF PARTS MAY VARY).
CONTACTS - 0.25 THK COPPER ALLOY.
- △ CONTACT FINISH: 0.003 MIN THK TIN OVER 0.00127 MIN THK NICKEL OVER ENTIRE CONTACT.
- 3. SOLDER TAIL MEETS AMP SOLDERABILITY SPECIFICATION 109-11-2.
- 4. MATES WITH SIMILARLY PLATED AMP-DUAC™ POWER CONNECTOR RECEPTACLE HOUSINGS/SOCKET CONTACTS.
- △ RIBS ON FOUR CORNERS OPTIONAL.
- △ AMP LOGO AND MATERIAL ID MAY BE LOCATED ON EITHER LONG SIDE OF PART.
- △ SIZE, SHAPE OR STYLE OF THIS FEATURE MAY VARY.



RECOMMENDED MOUNTING HOLE PATTERN FOR 1.78 MAX THICK P.C. BOARD COMPONENT SIDE SHOWN

D	C	B	A	NO. OF POSITIONS	PART NO
58.8	55.6	51.6	46.2	24	2-1586493-4
54.6	51.4	47.4	42.0	22	2-1586493-2
50.4	47.2	43.2	37.8	20	2-1586493-0
46.2	43.0	39.0	33.6	18	1-1586493-8
42.0	38.8	34.8	29.4	16	1-1586493-6
37.8	34.6	30.6	25.2	14	1-1586493-4
33.6	30.4	26.4	21.0	12	1-1586493-2
29.4	26.2	22.2	16.8	10	1-1586493-0
25.2	22.0	18.0	12.6	8	1586493-8
21.0	17.8	13.8	8.4	6	1586493-6
16.8	13.6	9.6	4.2	4	1586493-4
12.6	9.4	5.4	0.0	2	1586493-2



THIS DRAWING IS A CONTROLLED DOCUMENT.

DIMENSIONS: mm	TOLERANCES UNLESS OTHERWISE SPECIFIED:	DWN: K. WHITAKER 20JUNE2005	chk: D. COLEY 20JUNE2005	tyco Electronics	Tyco Electronics Corporation Harrisburg, PA 17105-3608
0 PLC ± -	1 PLC ± 0.2	APPRO: D. COLEY 20JUNE2005	NAME: ASSEMBLY, HEADER, VERTICAL, TIN PLATED, W/PEGS, W/O DRAIN HOLES, 94V-0, AMP-DUAC	SIZE: A1	CAGE CODE: 00779
2 PLC ± 0.15	3 PLC ± -	PRODUCT SPEC: 108-1699	RESTRICTED TO: -	SCALE: 5:1	SHEET: 1 OF 1
4 PLC ± -	ANGLES ± 0.30°	APPLICATION SPEC: -	WEIGHT: -	DRAWING NO: 1586493	REV: 01
MATERIAL: 1	FINISH: 2	CUSTOMER DRAWING	SCALE: 5:1	SHEET: 1 OF 1	REV: 01

X-ON Electronics

Largest Supplier of Electrical and Electronic Components

Click to view similar products for [Headers & Wire Housings](#) category:

Click to view products by [TE Connectivity](#) manufacturer:

Other Similar products are found below :

[95000-104TRLF](#) [10135584-644402LF](#) [DF62W-EP2022PCA](#) [95000-106TRLF](#) [DF62W-2022SCA](#) [DF62W-EP2022PC](#) [2203348](#) [DF62W-2022SC](#) [1084018](#) [1029039](#) [1084017](#) [802-10-012-10-002000](#) [1112640](#) [1112639](#) [891-007-9SS-BST1T](#) [000-34000](#) [0008550134](#) [0009482033](#) [0009507031](#) [57102-F02-18ULF](#) [57102-S06-03LF](#) [57202-S52-04LF](#) [PCN6-15S-2.5E](#) [0039019024](#) [58102-G61-06LF](#) [582553-1](#) [0009485154](#) [0009508121](#) [0022285053](#) [0050291907](#) [018731A](#) [LY20-4P-DT1-P1E-BR](#) [02.125.8002.8](#) [60101931](#) [60598-1 \(Cut Strip\)](#) [M1625-3R/100](#) [61062-3](#) [61082-181009](#) [CSU011177004](#) [636-1427](#) [638009-1](#) [641938-9](#) [641991-4](#) [644168-1](#) [644827-2](#) [647662-1](#) [65039-019ELF](#) [65692-001LF](#) [65781-018](#) [65781-047](#)