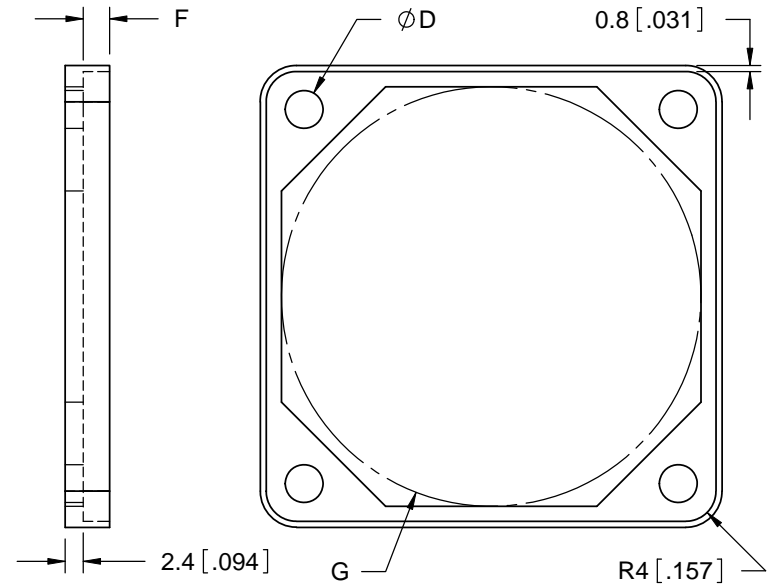
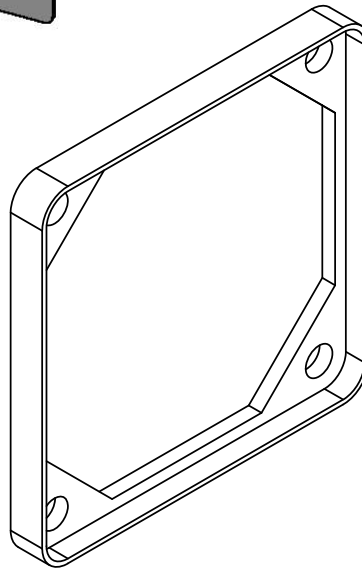


| PART NUMBER | FAN SIZE   | FAN HOLE SPACING | "D"       | "F"       | "G" REF    |
|-------------|------------|------------------|-----------|-----------|------------|
| FGA-40      | 40 [1.57]  | 32 [1.26]        | 4.5 [.18] | 3.5 [.14] | 36 [1.42]  |
| FGA-50      | 50 [1.97]  | 40 [1.57]        |           |           | 46 [1.81]  |
| FGA-60      | 60 [2.36]  | 50 [1.97]        | 5 [.20]   | 4 [.16]   | 56 [2.20]  |
| FGA-70      | 70 [2.76]  | 61.5 [2.42]      |           |           | 66 [2.60]  |
| FGA-80      | 80 [3.15]  | 71.5 [2.81]      |           |           | 75 [2.95]  |
| FGA-92      | 92 [3.62]  | 82.5 [3.25]      |           |           | 87 [3.43]  |
| FGA-120     | 120 [4.72] | 105 [4.13]       |           |           | 115 [4.53] |



NOTES:

1. MATERIAL: SILICONE RUBBER, 40 SHORE A (RMS-101)
2. COLOR: BLACK
3. ALTERNATE UNITS FOR REFERENCE ONLY.
4. FAN NOT SUPPLIED.

| TITLE: FAN MOUNT GASKET                                               |                                                      |               |                | UNITS<br>mm [IN] | QR                  |
|-----------------------------------------------------------------------|------------------------------------------------------|---------------|----------------|------------------|---------------------|
| CREATED USING<br>SOLIDWORKS                                           | FILE #: FGA                                          | DWN: D.J.Z.   | APP: D.J.Z.    | FINAL            |                     |
| GENERAL TOLERANCE<br>UNLESS NOTED<br>$\pm 0.25$<br>ANG. $\pm 1^\circ$ | SHEET: 1 OF 1                                        | SHEET SIZE: A | DT: 05/17/2010 | CHKD: M.J.B.     | PART #              |
| RE: RICHCO INC.                                                       | RICHCO, INC.<br>ENG@RICHCO-INC.COM<br>(773) 539-4060 |               | SEE TABLE      |                  | PRINT<br>TYPE<br>CA |

| REV. | DESCRIPTION             | ENGR. | DATE     |
|------|-------------------------|-------|----------|
| A    | RELEASED FOR PRODUCTION | SK    | 07/15/10 |

## X-ON Electronics

Largest Supplier of Electrical and Electronic Components

*Click to view similar products for [Circuit Board Hardware - PCB category](#):*

*Click to view products by [Richco manufacturer](#):*

Other Similar products are found below :

[8919-0-00-15-00-00-03-0](#) [0132-0-15-01-30-27-04-0](#) [0135-0-15-01-30-27-04-0](#) [5970-1-15-01-32-14-04-0](#) [0132-0-15-15-30-27-04-0](#) [0135-0-15-15-30-27-04-0](#) [0149-0-15-15-30-27-04-0](#) [MBI 1 BLUE](#) [7305-0-15-15-47-14-10-0](#) [MKU 1 BLACK](#) [MLN 150/1 BLACK](#) [8579-0-15-80-11-27-10-0](#) [8579-1-15-15-11-27-10-0](#) [8637-0-15-15-21-14-10-0](#) [8830-0-15-01-22-14-10-0](#) [8836-0-00-21-00-00-03-0](#) [PRUEF 2 RED](#) [9976-0-00-00-00-00-03-0](#) [1178-0-01-80-00-00-03-0](#) [PW1616](#) [1215-3-05-00-00-00-01-0](#) [1303-0-15-15-47-14-04-0](#) [1404-3](#) [1404-4](#) [1406-4](#) [1407-3](#) [1406-3](#) [1407-4](#) [1408-3](#) [1424-4](#) [1426-3](#) [1427-3](#) [1427-4](#) [1428-3](#) [1419-4](#) [1424-3](#) [1426-4](#) [1428-4](#) [MPS 1 BLACK](#) [1520150-1](#) [1548-103](#) [1801-0-15-15-30-27-04-0](#) [1938-0-00-00-00-00-03-0](#) [1942-0-00-00-00-00-03-0](#) [2101-3-00-44-00-00-07-0](#) [2104-2-01-44-00-00-07-0](#) [2108-2-00-50-00-00-07-0](#) [2108-3-00-44-00-00-07-0](#) [2109-2-00-44-00-00-07-0](#) [2110-2-00-44-00-00-07-0](#)