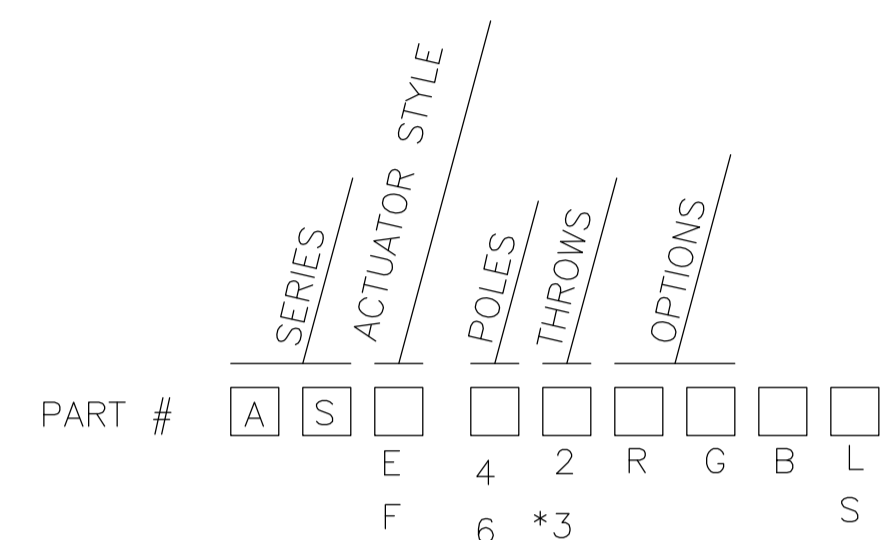


CIRCUIT DIAGRAMS



E = EXTENDED ACTUATOR
 F = FLUSH ACTUATOR
 *3 = THROW AVAILABLE IN 4 POLE ONLY
 R = SIDE ACTUATOR
 G = GOLD CONTACTS
 B = BLACK ACTUATOR
 L = SMT TERMINAL
 'L' CONFIGURATION
 S = SMT TERMINAL REVERSE
 'L' CONFIGURATION
 TR = TAPE AND REEL PACKAGED

SPECIFICATIONS:

MATERIAL:
 BASE, COVER: PCT UL94V-0, BLACK.
 MOVABLE CONTACT: COPPER ALLOY - GOLD OR SILVER OVER NICKEL
 FIXED CONTACT/TERMINAL: COPPER ALLOY.
 PLATING: GOLD OR SILVER OVER NICKEL FINISH.

ELECTRICAL:
 CONTACT RATING: SILVER: 300 MILLIAMPS @ 115 VAC.
 CONTACT RESISTANCE: INITIAL 40 MILLIOHMS MAX.
 INSULATION RESISTANCE: 1000 MEGOHMS MAX.
 DIELECTRIC STRENGTH: 600 VOLTS RMS AT SEA LEVEL.
 LIFE EXPECTANCY: 15,000 CYCLES MIN.

ENVIRONMENTAL:
 OPERATING TEMPERATURE: -40° TO 80°C
 HIGH TEMPERATURE RESISTANCE: WILL WITHSTAND VAPOR PHASE
 PROCESS CLEANING: WILL WITHSTAND AQUEOUS OR SOLVENT
 SOLDERABILITY PER EIA 364-52 CLASS 2 CATEGORY 1

NOTES: UNLESS OTHERWISE SPECIFIED

- ALL SWITCHES HAVE OPEN ENDS EXCEPT TOP FLUSH ACTUATOR, WHICH COMES STANDARD WITH TAPE SEAL.
 - STANDARD PRODUCT (AFTER WELD) HEIGHT IS ALLOWED UP TO .180 IN. ALL SWITCH "SPECIALS" MUST MAINTAIN .178 MAX. (AFTER WELD) HEIGHT.
 - TAPE AND REEL PER EIA 481 OR 22" ANTI-STATIC TUBES
- △ SAME AS ASF22LTR WITHOUT TAPE SEAL

AS* - 43****	1.100 [27.94]	.360 [9.14]	.900 [22.86]	.230 [5.82]
AS* - 62****	1.000 [25.40]	.260 [6.60]	.800 [20.32]	.230 [5.82]
AS* - 42****	.700 [17.78]	.260 [6.60]	.500 [12.70]	.230 [5.82]
AS* - 22****	.400 [10.16]	.260 [6.60]	.200 [5.08]	.105 [2.67]
SWITCH NO.	DIM A	DIM B	DIM C	DIM D

* = OPTIONS (SEE CHART)

UPRIGHT, THROUGH HOLE, EXTENDED ACTUATOR

P/N	T&B MODEL	FUNCTION
1437581-2	ASE22	DPDT
1437581-4	ASE22G	DPDT
1-1437581-4	ASE42	4PDT
1-1437581-6	ASE42G	4PDT
2-1437581-5	ASE43	4P3T
2-1437581-6	ASE43G	4P3T
3-1437581-1	ASE62	6PDT
3-1437581-3	ASE62G	6PDT

RIGHT ANGLE, THROUGH HOLE, FLUSH ACTUATOR

P/N	T&B MODEL	FUNCTION
6-1437581-2	ASF22R	DPDT
6-1437581-3	ASF22RG	DPDT
7-1437581-3	ASF42R	4PDT
7-1437581-4	ASF42RG	4PDT
	ASF43R	4P3T
8-1437581-2	ASF43RG	4P3T
8-1437581-9	ASF62R	6PDT
9-1437581-1	ASF62RG	6PDT

RIGHT ANGLE, THROUGH HOLE, EXTENDED ACTUATOR

P/N	T&B MODEL	FUNCTION
1437581-8	ASE22R	DPDT
1437581-9	ASE22RG	DPDT
1-1437581-9	ASE42R	4PDT
2-1437581-0	ASE42RG	4PDT
2-1437581-9	ASE43R	4P3T
3-1437581-0	ASE43RG	4P3T
3-1437581-6	ASE62R	6PDT
3-1437581-7	ASE62RG	6PDT

UPRIGHT, SURFACE MOUNT "L" TYPE, FLUSH ACTUATOR

P/N	T&B MODEL	FUNCTION
1571007-1	ASF22LTR	DPDT
2-1437582-0	ASF71260	DPDT
5-1437581-9	ASF22GL	DPDT
6-1437581-1	ASF22L	DPDT
1571007-4	ASF22GLTR	DPDT
7-1437581-1	ASF42GL	4PDT
7-1437581-2	ASF42L	4PDT
8-1437581-0	ASF43GL	4P3T
8-1437581-1	ASF43L	4P3T
8-1437581-7	ASF62GL	6PDT
8-1437581-8	ASF62L	6PDT

UPRIGHT, SURFACE MOUNT "L" TYPE, EXTENDED ACTUATOR

P/N	T&B MODEL	FUNCTION
1437581-5	ASE22GL	DPDT
1437581-7	ASE22L	DPDT
1-1437581-7	ASE42GL	4PDT
1-1437581-8	ASE42L	4PDT
2-1437581-7	ASE43GL	4P3T
2-1437581-8	ASE43L	4P3T
3-1437581-4	ASE62GL	6PDT
3-1437581-5	ASE62L	6PDT

UPRIGHT, SURFACE MOUNT "S" TYPE, FLUSH ACTUATOR

P/N	T&B MODEL	FUNCTION
6-1437581-0	ASF22GS	DPDT
6-1437581-7	ASF22S	DPDT
1571007-2	ASF22STR	DPDT
	ASF42GS	4PDT
1571007-3	ASF42STR	4PDT
7-1437581-7	ASF42S	4PDT
	ASF43GS	4P3T
8-1437581-3	ASF43S	4P3T
	ASF62GS	6PDT
9-1437581-4	ASF62S	6PDT

UPRIGHT, SURFACE MOUNT "S" TYPE, EXTENDED ACTUATOR

P/N	T&B MODEL	FUNCTION
1437581-6	ASE22GS	DPDT
1-1437581-3	ASE22S	DPDT
	ASE42GS	4PDT
2-1437581-4	ASE42S	4PDT
	ASE43GS	4P3T
	ASE43S	4P3T
	ASE62GS	6PDT
	ASE62S	6PDT

RIGHT ANGLE, SURFACE MOUNT "L" TYPE, FLUSH ACTUATOR

P/N	T&B MODEL	FUNCTION
6-1437581-4	ASF22RGL	DPDT
	ASF22RL	DPDT
7-1437581-5	ASF42RGL	4PDT
7-1437581-6	ASF42RL	4PDT
	ASF43RGL	4P3T
	ASF43RL	4P3T
9-1437581-2	ASF62RGL	6PDT
	ASF62RL	6PDT

RIGHT ANGLE, SURFACE MOUNT "L" TYPE, EXTENDED ACTUATOR

P/N	T&B MODEL	FUNCTION
	ASE22RGL	DPDT
1-1437581-1	ASE22RL	DPDT
2-1437581-1	ASE42RGL	4PDT
2-1437581-2	ASE42RL	4PDT
	ASE43RGL	4P3T
	ASE43RL	4P3T
3-1437581-8	ASE62RGL	6PDT
3-1437581-9	ASE62RL	6PDT

RIGHT ANGLE, SURFACE MOUNT "S" TYPE, EXTENDED ACTUATOR

P/N	T&B MODEL	FUNCTION
1-1437581-0	ASE22RGS	DPDT
1-1437581-2	ASE22RS	DPDT
	ASE42RGS	4PDT
2-1437581-3	ASE42RS	4PDT
	ASE43RGS	4P3T
	ASE43RS	4P3T
	ASE62RGS	6PDT
	ASE62RS	6PDT

RIGHT ANGLE, SURFACE MOUNT "S" TYPE, FLUSH ACTUATOR

P/N	T&B MODEL	FUNCTION
6-1437581-5	ASF22RGS	DPDT
6-1437581-6	ASF22RS	DPDT
	ASF42RGS	4PDT
	ASF42RS	4PDT
	ASF43RGS	4P3T
	ASF43RS	4P3T
9-1437581-3	ASF62RGS	6PDT
	ASF62RS	6PDT

UPRIGHT, THROUGH HOLE, FLUSH ACTUATOR

P/N	T&B MODEL	FUNCTION
5-1437581-6	ASF22	DPDT
5-1437581-8	ASF22G	DPDT
6-1437581-8	ASF42	4PDT
7-1437581-0	ASF42G	4PDT
7-1437581-8	ASF43	4P3T
7-1437581-9	ASF43G	4P3T
8-1437581-4	ASF62	6PDT
8-1437581-6	ASF62G	6PDT

THIS DRAWING IS A CONTROLLED DOCUMENT.		DIN M. BINNER 12JAN04	STE TE Connectivity		
DIMENSIONS: INCHES [mm]		TOLERANCES UNLESS OTHERWISE SPECIFIED:	NAME		
0 PLC ± .010		1 PLC ± .005	PRODUCT SPEC		
2 PLC ± .005		3 PLC ± .010(0.25)	APPLICATION SPEC		
4 PLC ± .005		ANGLES ± .1°	SIZE CASE CODE DRAWING NO. RESTRICTED TO		
MATERIAL SEE SPECIFICATIONS		FINISH	WEIGHT		A1 00779 1437581-2
CUSTOMER DRAWING		SCALE 4:1	SHEET 1 OF 2		REV K2



* SIDE ACTUATOR ONLY.



ASE



* SIDE ACTUATOR ONLY.



ASE

REVERSE "L" TYPE SURFACE MOUNT



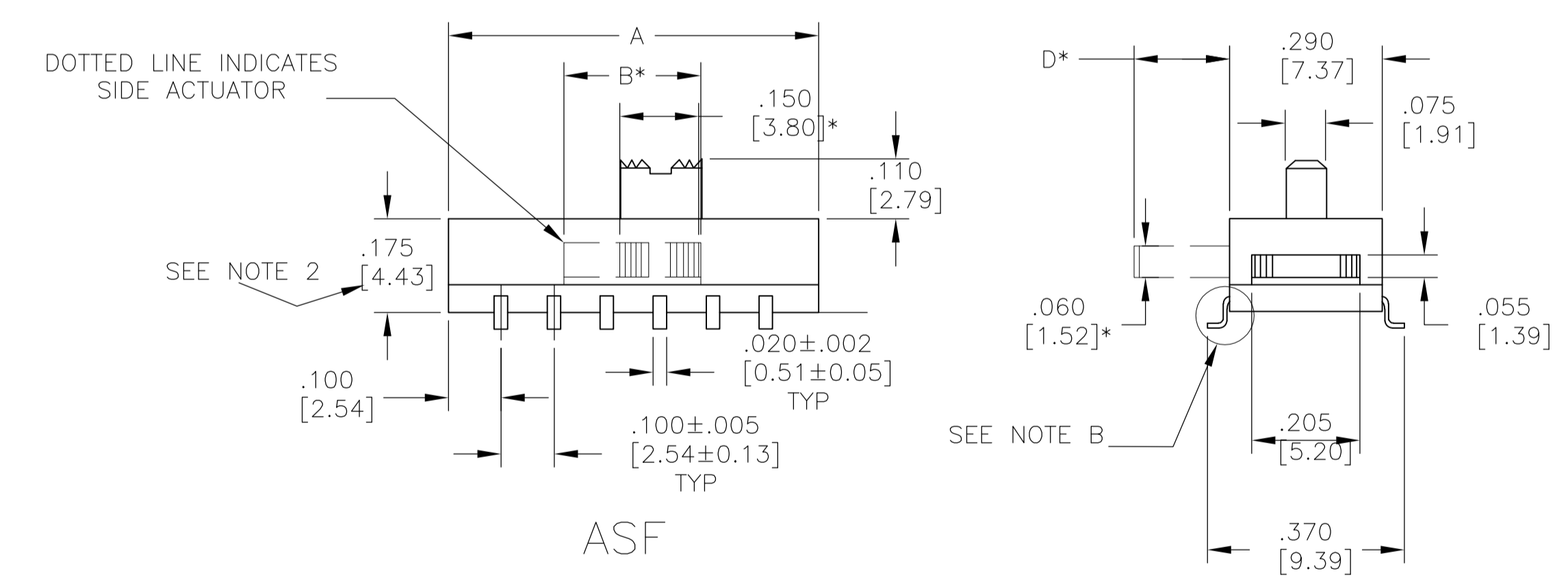
* SIDE ACTUATOR ONLY.



ASF

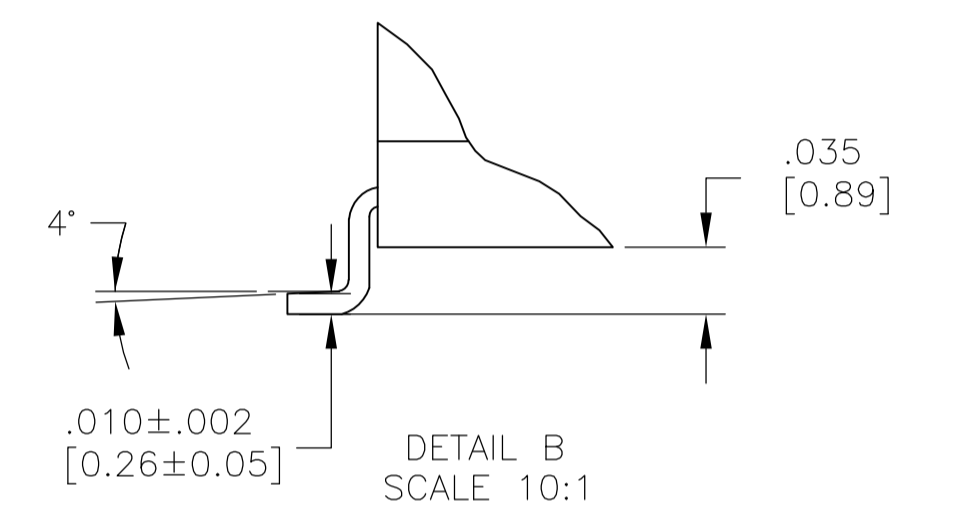


* SIDE ACTUATOR ONLY.



ASF

"L" TYPE SURFACE MOUNT



THIS DRAWING IS A CONTROLLED DOCUMENT.		DIN	M. BINNER	12JAN04	TE Connectivity	
DIMENSIONS: INCHES [mm]		CHK			NAME	
TOLERANCES UNLESS OTHERWISE SPECIFIED: 0. PLC ± - 1. PLC ± - 2. PLC ± - 3. PLC ± .010(0.25) 4. PLC ± - ± 1° ANGLES ± - ± 1°		APVD			PRODUCT SPEC	
MATERIAL SEE SPECIFICATIONS		FINISH			APPLICATION SPEC	
		WEIGHT			SIZE	RESTRICTED TO
		CUSTOMER DRAWING			A1 00779	SCALE 4:1 SHEET 2 OF 2 REV K2

X-ON Electronics

Largest Supplier of Electrical and Electronic Components

Click to view similar products for [Slide Switches](#) category:

Click to view products by [TE Connectivity](#) manufacturer:

Other Similar products are found below :

[6-1437581-1](#) [M43R](#) [MHS123K15D](#) [MHSS1104A](#) [MMD](#) [GH49S010001](#) [GH49WW00001](#) [1437576-8](#) [EPS1PC1](#) [1825074-1](#) [1825160-3](#)
[1825167-2](#) [25139NLDB](#) [25436NLDB](#) [25449NAH](#) [25536NA](#) [L101011ML04B](#) [SLB1240R45](#) [SLSA12004](#) [1825078-1](#) [1825080-4](#) [1825081-1](#)
[1825269-1](#) [1825270-2](#) [STS141RA04](#) [T2215BEN506](#) [GF-124-0204](#) [GH46P000001](#) [GH46W000001](#) [GH49P010001](#) [25339NA](#) [25436NLDH](#)
[CST91246FK](#) [TG36P000000](#) [TG36P000050](#) [47227LFE](#) [49331L](#) [MHSS1105A](#) [50208L](#) [HW4S-5LF22N3](#) [L202091MS02Q](#) [4-1437581-7](#)
[X2225CR-437W](#) [48BFSP3M2QT](#) [49329L](#) [1101M1S3ZB8E2](#) [1-1437581-1](#) [EG1218REDACTUATOR](#) [TG39W000000](#) [1825075-1](#)