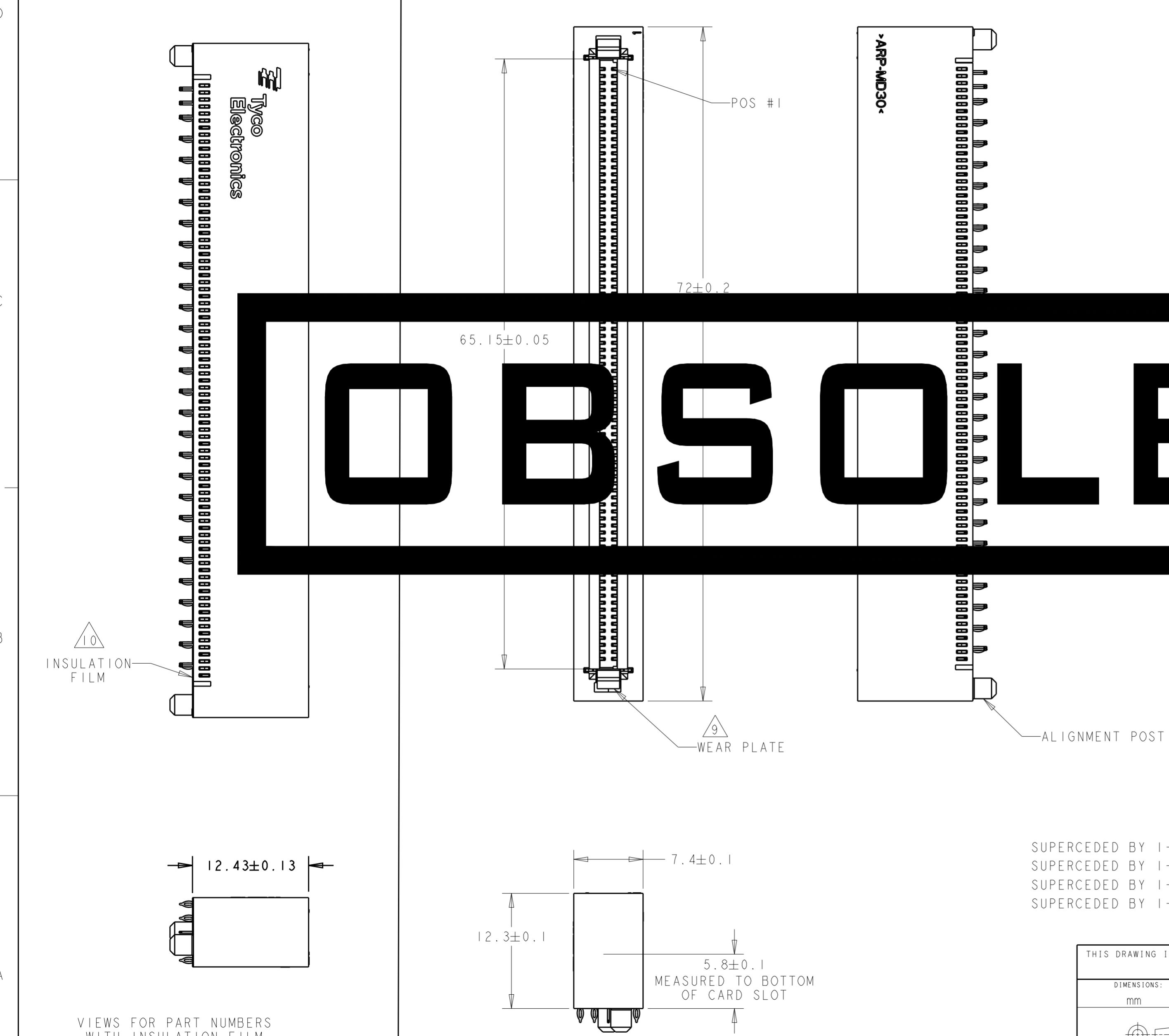


LOC		DIST		REVISIONS			
P	LTR	DESCRIPTION	DATE	DWN	APVD		
CC	00	C	REVISED PER ECR-12-009949	rev.date.1	F.L	F.Y	



1 PCB HOLE DIMENSIONS:
 DRILLED HOLE = 0.64 ± 0.02 mm
 FINISHED HOLE = 0.55 mm REF
 Cu THICKNESS = 25-50 um WITH EITHER
 PLATING THICKNESS:
 HASL Sn Pb = 4-10 um OR
 IMMERSION Sn = MIN 0.5 um OR
 OSP = 0.2-0.5 um OR
 IMMERSION Au/Ni = 0.5-1.2 um Au OVER 3.0-7.0 um Ni OR
 IMMERSION Ag = 0.1 um MIN

2 MATERIAL:
 HOUSING- LCP, 94V-0 RATED, COLOR- BLACK
 CONTACTS- COPPER ALLOY
 WEAR PLATE- STAINLESS STEEL
 INSULATION FILM- MYLAR

3 FINISH- MATING AREA- 0.76 um MIN GOLD OR
 0.64 um MIN PALLADIUM-NICKEL OVER 1.27um MIN NICKEL
 COMPLIANT PIN AREA- 0.5 um BRIGHT TIN OVER 1.27 um

4 CONNECTOR MARKED WITH PART NUMBER AND DATE CODE.

5 DATE OF DESIGN ESTABLISHED BY

6 CONTACT AREA LUBRICATED WITH BELLCORE APPROVED LUBRICANT TECHNICAL REFERENCE GR-127 CORE ISSUE 1 NOVEMBER

7 REFER TO CONNECTIVITY APPLICATION SPECIFICATION 114-13180 FOR SPECIFICATION INFORMATION.

8 FINISH- MATING AREA- 0.76 um MIN GOLD OR 0.64 um MIN PALLADIUM-NICKEL OVER 1.27 um MIN NICKEL COMPLIANT PIN AREA- 0.5 um BRIGHT TIN OVER 1.27 um

9 WEAR PLATE EXTENDS FROM TOP OF CONNECTOR TO BOTTOM OF SLOT AND IS USED TO ELIMINATE WEAR OF THE HOUSING CAUSED BY THE EDGE OF THE PCB CARD.

10 INSULATION FILM USED WHEN ADDITIONAL INSULATION SPACING IS NEEDED BETWEEN PCB TRACES AND CONTACTS.

OBSOLETE

INSULATION FILM	FINISH	WEAR PLATE	ALIGNMENT POSTS	PART NUMBER
YES	8	YES	YES	2-1469820-4
YES	8	YES	NO	2-1469820-3
YES	3	YES	YES	2-1469820-2
YES	3	YES	NO	2-1469820-1
NO	8	YES	YES	1-1469820-4
NO	8	YES	NO	1-1469820-3
NO	3	YES	YES	1-1469820-2
NO	3	YES	NO	1-1469820-1
NO	8	NO	YES	1469820-4
NO	8	NO	NO	1469820-3
NO	3	NO	YES	1469820-2
NO	3	NO	NO	1469820-1

SUPERCEDED BY 1-1469820-4
 SUPERCEDED BY 1-1469820-3
 SUPERCEDED BY 1-1469820-2
 SUPERCEDED BY 1-1469820-1

VIEWS FOR PART NUMBERS WITH INSULATION FILM
 2-1469820-1 THRU 2-1469820-4

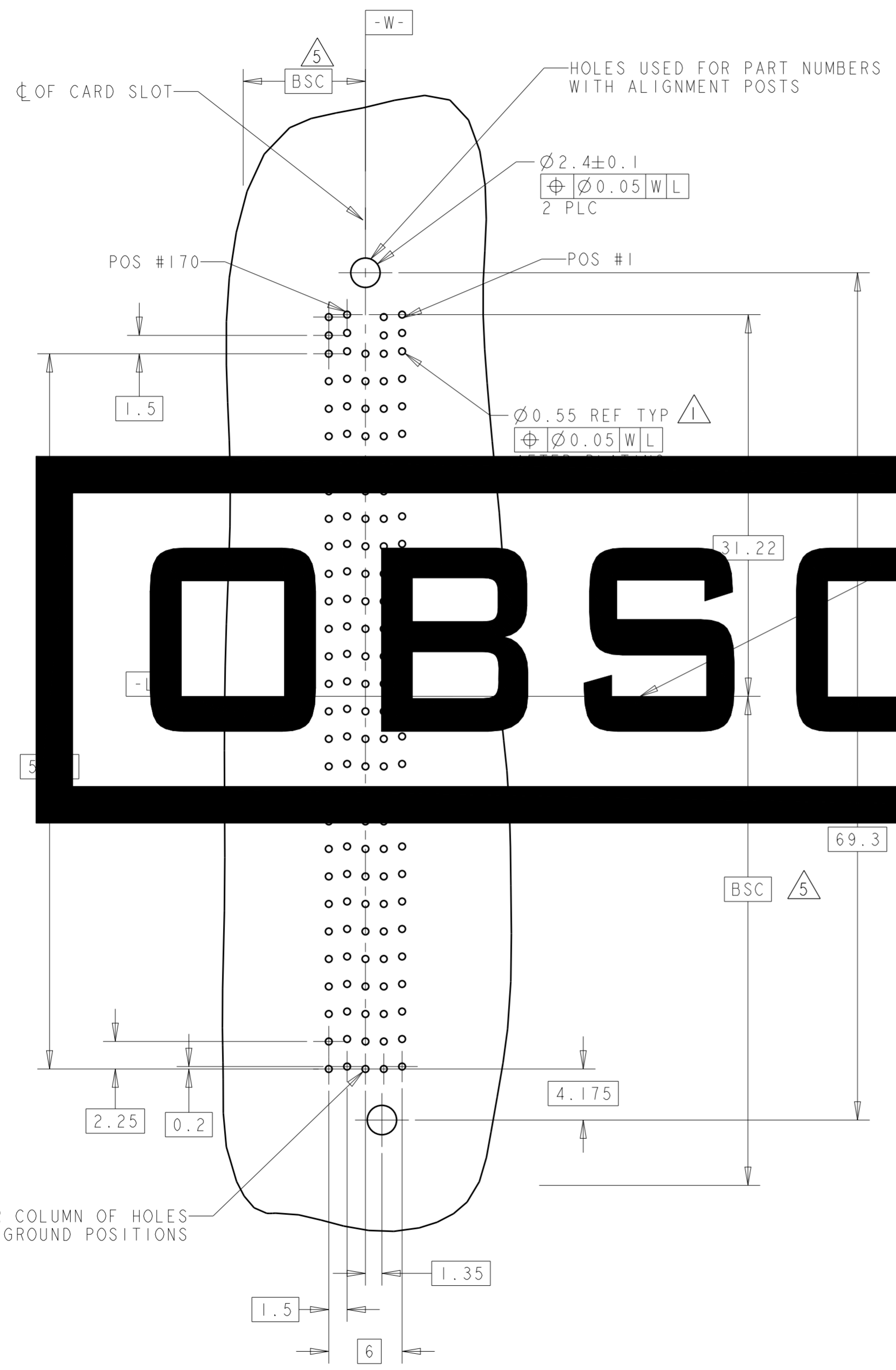
THIS DRAWING IS A CONTROLLED DOCUMENT.

DWN	D. SZCZESNY	31MAR06
CHK	-	-
APVD	-	-
PRODUCT SPEC	108-2254	
APPLICATION SPEC	114-13180	
WEIGHT	-	
CUSTOMER DRAWING	SCALE 3:1	SHEET 1 OF 2

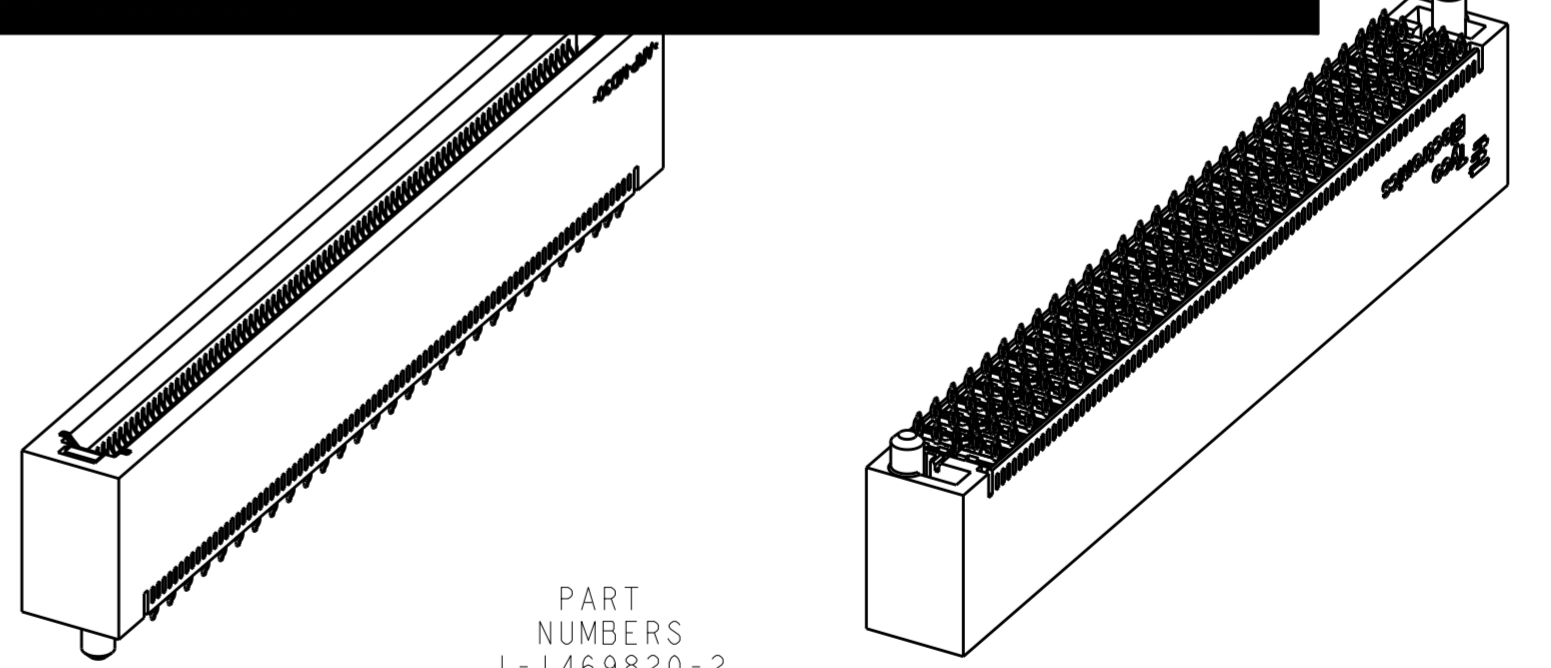
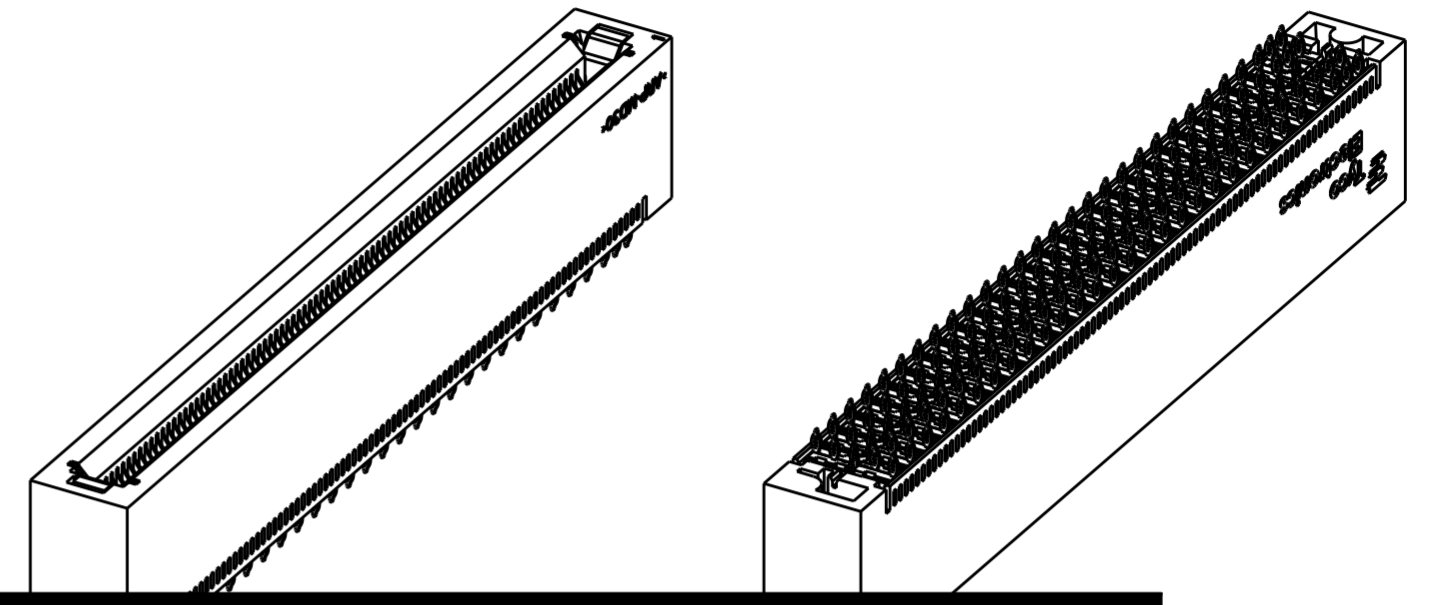
STE TE Connectivity
 NAME CARD EDGE CONNECTOR, VERTICAL MICRO TCA
 SIZE A2 CAGE CODE 00779 DRAWING NO C-1469820
 RESTRICTED TO -

THIS DRAWING IS UNPUBLISHED. RELEASED FOR PUBLICATION 20
 © COPYRIGHT 20 BY - ALL RIGHTS RESERVED.

LOC	DIST	REVISIONS					
CC	00	P	LTR	DESCRIPTION	DATE	DWN	APVD
		-		SEE SHEET 1			



OBSOLETE



PART NUMBERS
 1-1469820-3
 2-1469820-1
 2-1469820-3
 WITHOUT POSTS

PART NUMBERS
 1-1469820-2
 1-1469820-4
 2-1469820-2
 2-1469820-4
 WITH POSTS

THIS DRAWING IS A CONTROLLED DOCUMENT.		DWN D. SZCZESNY	31MAR06	TE Connectivity
DIMENSIONS: mm		CHK -	APVD -	
TOLERANCES UNLESS OTHERWISE SPECIFIED: 0 PLC ±0.1 1 PLC ±0.1 2 PLC ±0.13 3 PLC ±0.013 4 PLC ±0.0001 ANGLES ± FINISH		PRODUCT SPEC 108-2254 APPLICATION SPEC 114-13180		NAME CARD EDGE CONNECTOR, VERTICAL MICRO TCA
MATERIAL		WEIGHT -		SIZE A200779
		CUSTOMER DRAWING		SCALE 2:1 SHEET 2 OF 2 REV C

X-ON Electronics

Largest Supplier of Electrical and Electronic Components

Click to view similar products for [Micro TCA Connectors](#) category:

Click to view products by [TE Connectivity](#) manufacturer:

Other Similar products are found below :

[MEB97318-219](#) [13-000151](#) [MDM-9PSM2-A174](#) [MEB2-64SL83-A159](#) [MDM-9SCBR-F222](#) [MDM-9PCBR-F222](#) [MDM-25SSK](#) [MDM-25SBSP-A174](#) [MDM-15PCBR-A174](#) [MDM-15SBSM7-A174](#) [MDM-15PSL](#) [MDM-21SBS](#) [MDM-15SSP](#) [MDM-21PCBRM7-A174](#) [MDM-9PL2B-A174](#) [MDM-9PCBR](#) [MDM-25SSL](#) [MDM-25PH074M5](#) [MDM-9PL93M7-A174](#) [MEB1-128P](#) [MDM-25PCBRM7](#) [MDM-21PCBR-A174](#) [MDM-31PSB](#) [13-000161](#) [13-000301](#) [13-000141](#) [13-000311](#) [16111705206000](#) [10058831-110LF](#) [10058831-111LF](#) [10058835-1000LF](#) [10058835-1001LF](#) [10070163-01LF](#) [10084423-103LF](#) [10084423-102LF](#) [13-000190](#) [16-000010](#) [16041705106000](#) [16111705202000](#) [16310341201000](#) [16320301101000](#) [16330961201000](#) [16340961101000](#) [MDM-21PSB](#) [MDM-21SSB-A174](#) [MDM-25PSB-A174](#) [MDM-25SSB-A174](#) [MDM-31SSB](#) [MDM-51SSB-A174](#) [MDM-9PBSP](#)