

MIRO 6,2 Multi-timer 24VDC-1S IN: 24 VDC - OUT: 250 VAC/DC / 6A

Relay output
 Impulse expansion: 0.1...300 s
 Screw terminals

Image

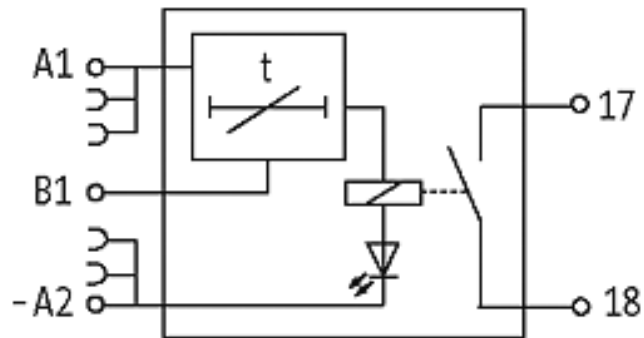

Vicarious picture

| Input | |
|--------------------------------------|--|
| Input voltage | 24 V DC (+10 -15 %) input A |
| Input current | 20 mA (input A) |
| Control voltage | 24 V DC (+10 -15 %) input B |
| Control current | 5 mA (input B) |
| Output | |
| Output voltage | max. 250 V AC/DC |
| Output current | max. 6 A |
| Min. load current | 10 mA (12 V DC) |
| Output rating | max. 1500 VA/120 W |
| Switching frequency | max. 10 Hz |
| Contact material | Ag Sn O ₂ |
| Energize/release/contact bounce time | 10/15/1.5 ms |
| General data | |
| Mech./ elect. life | 20.000.000 switching cycles/load dependent |
| Test isolation voltage | 4 kV; safe separation (EN 60947-1) |
| Temperature range | 0...+55 °C |
| Mounting method | DIN-rail mountable (EN 60715) |
| Commercial data | |
| Net weight | 36 |
| Weight unit | Gram |
| Basic unit | pc. |
| Customs tariff number | 85364190 |
| Unit (piece) | 1 |
| Minimum order quantity (piece) | 1 |

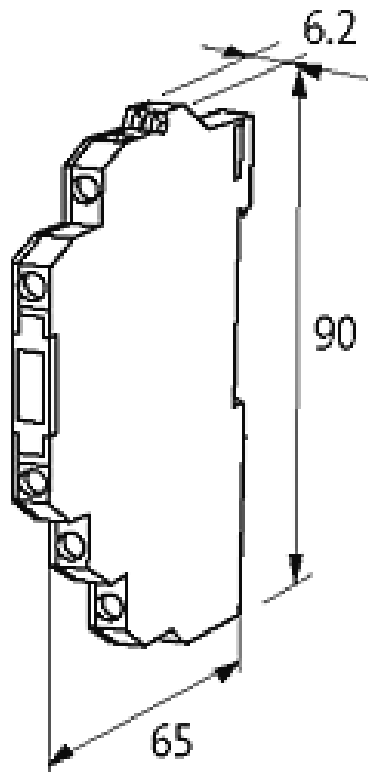
All data on this data sheet was compiled carefully.

Liability regarding correctness, completeness, and actuality is limited to gross negligence. Created: 05/14

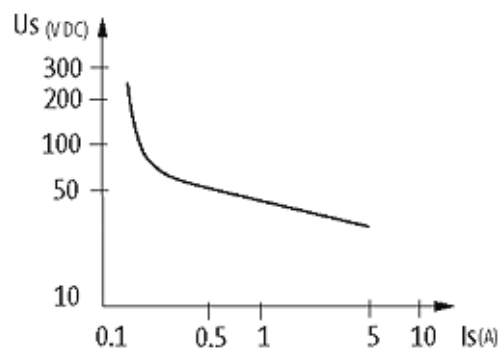
Circuit diagram



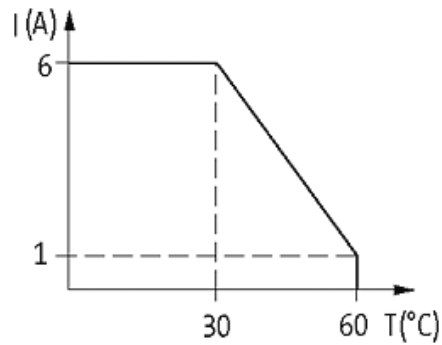
Dimension drawing



Load limit curve



De-rating curve



Functional diagram

| Time | +A1 | Function |
|------------|------|----------------------------|
| 0.1..1.2 s | Out | Switch on delay |
| 0.4..5 s | Out | One shot |
| 3.5..40 s | Out | Modulation, pause starting |
| 30..300 s | Load | Modulation, pulse starting |
| | B1 | Switch off delay time |
| | Load | |

X-ON Electronics

Largest Supplier of Electrical and Electronic Components

Click to view similar products for [General Purpose Relays](#) category:

Click to view products by [Murr Elektronik](#) manufacturer:

Other Similar products are found below :

[APF30318](#) [JVN1AF-4.5V-F](#) [PCN-105D3MHZ](#) [5JO-10000S-SIL](#) [5JO-1000CD-SIL](#) [5JO-400CD-SIL](#) [LY2S-AC220/240](#) [LYQ20DC12](#)
[6031007G](#) [6131406HQ](#) [6-1393099-8](#) [6-1393122-4](#) [6-1393123-2](#) [6-1393767-1](#) [6-1393843-7](#) [6-1415012-1](#) [6-1419102-2](#) [6-1423698-4](#) [6-](#)
[1608051-6](#) [6-1608067-0](#) [6-1616170-6](#) [6-1616248-2](#) [6-1616282-3](#) [6-1616348-2](#) [6-1616350-1](#) [6-1616350-8](#) [6-1616358-7](#) [6-1616359-9](#) [6-](#)
[1616360-9](#) [6-1616931-6](#) [6-1617039-1](#) [6-1617052-1](#) [6-1617090-2](#) [6-1617090-5](#) [6-1617347-5](#) [6-1617353-3](#) [6-1617801-8](#) [6-1618107-9](#) [6-](#)
[1618248-4](#) [M83536/1-027M](#) [M83725/1-005](#) [CX-4014](#) [MAHC-5494](#) [MAVCD-5419-6](#) [703XCX-120A](#) [7-1393100-5](#) [7-1393111-7](#) [7-](#)
[1393144-5](#) [7-1393767-8](#) [7-1414968-8](#)