

SWITCH - TOGGLE

1TL1 SERIES CHART 1

CATALOG LISTING

THIS DRAWING COVERS A PROPRIETARY ITEM AND IS THE PROPERTY OF MICRO SWITCH, A DIVISION OF HONEYWELL. THIS DRAWING IS NOT TO BE COPIED OR USED WITHOUT THE APPROVAL OF MICRO SWITCH

CATALOG LISTING
1TL1 SERIES CHART 1

PAGE 1 OF 1

ISSUE
23

REVISIONS
A CO-94429
S A V
24 NOV 99

CHECK

24 NOV 99

JAF

CHECK

24 NOV 99

CHECK

24 NOV 99

PTC/CAD 2D

DRAWN

S A V 24 NOV 99

REPLACES

RELEASE NO.

CHECK

CHECK

24 NOV 99

JAF

CHECK

24 NOV 99

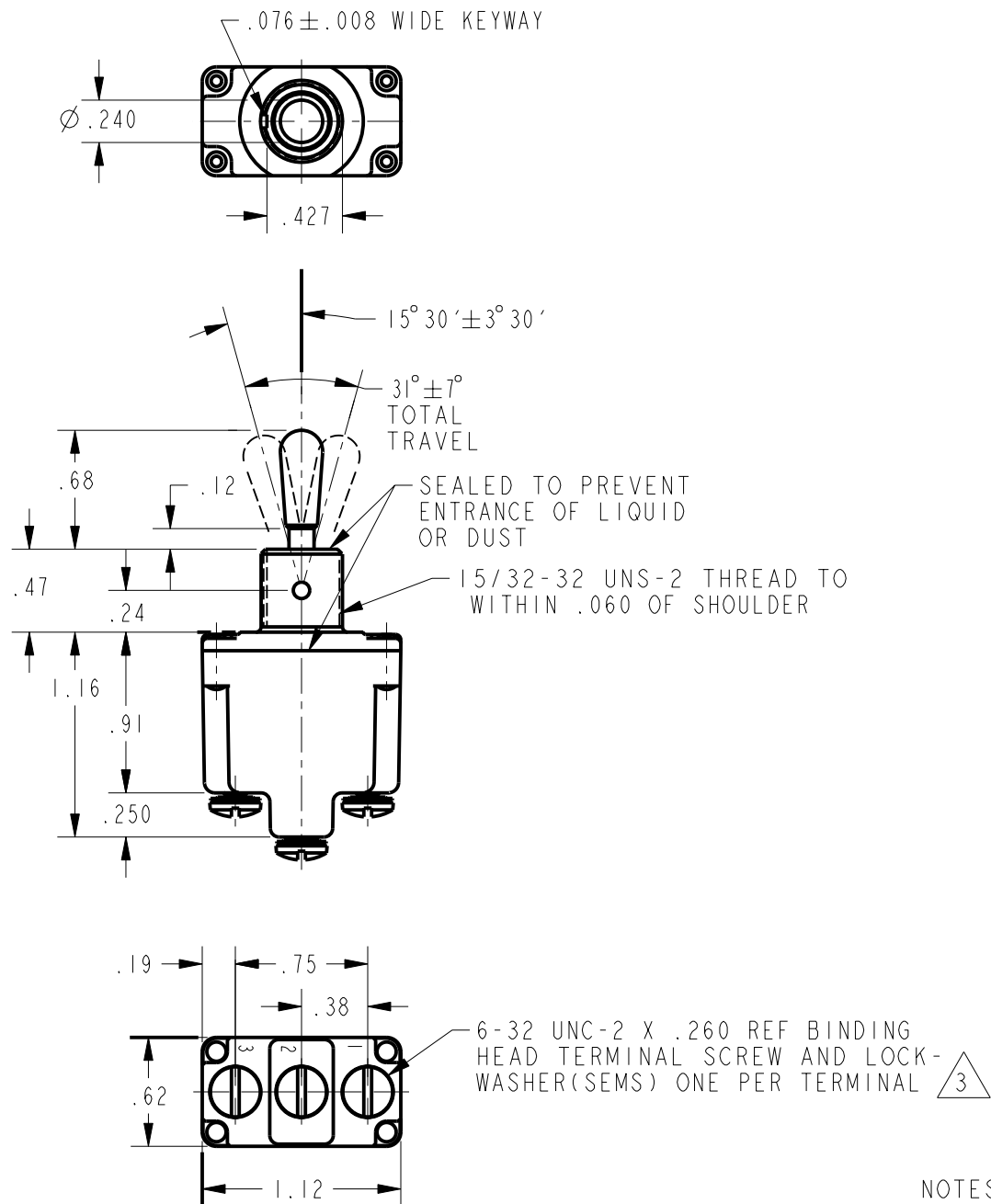
CHECK

24 NOV 99

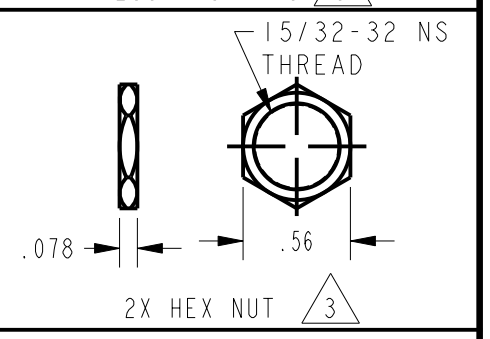
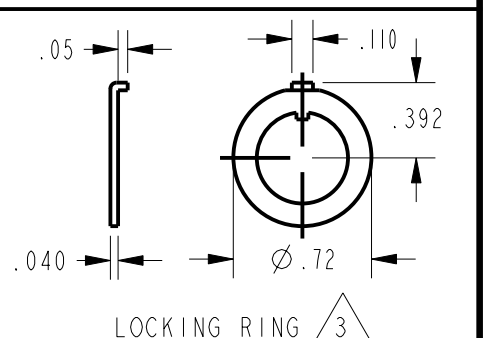
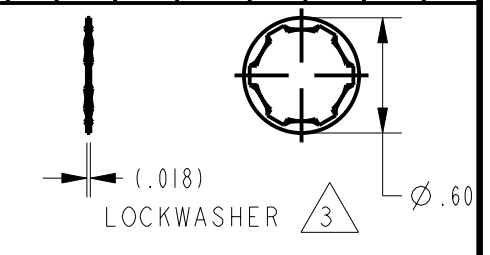
PTC/CAD 2D

DRAWN

S A V 24 NOV 99



CATALOG LISTING	CIRCUIT MADE WITH TOGGLE LEVER IN			MILITARY STANDARD NUMBER	MILITARY RATING (AMPS)								
	KEYWAY SIDE (1-2)	CENTER (1-2)	OPPOSITE KEYWAY (2-3)		RESISTIVE LOAD				LAMP LOAD		INDUCTIVE LOAD		
					DC VOLTS	AC VOLTS	DC VOLTS	AC VOLTS	VDC	VAC	VDC	VAC	
ITLI-1	ON	OFF	ON	MS24523-21	28	125	250	125	250	28	125	28	125
ITLI-2	OFF	NONE	ON	MS24523-22	20	.75	.5	15	6	5	3	15	10
ITLI-3	ON	NONE	ON	MS24523-23	(REFER TO L191 FOR UL RATING)								
ITLI-21	NONE	OFF	ON	MS24523-24									
ITLI-31	NONE	ON	ON	MS24523-33									
ITLI-4	MOM OFF	NONE	ON	MS24523-29									
ITLI-5	MOM ON	OFF	ON	MS24523-31									
ITLI-6	MOM ON	NONE	OFF	MS24523-30	15	.75	.5	15	6	4	2	10	7
ITLI-7	MOM ON	OFF	MOM ON	MS24523-27	(REFER TO L192 FOR UL RATING)								
ITLI-8	MOM ON	NONE	ON	MS24523-26									
ITLI-51	NONE	ON	MOM ON	MS24523-32									
ITLI-61	MOM ON	OFF	NONE	MS24523-28									



- NOTES
- 1 - SWITCHES ARE CAPABLE OF WITHSTANDING A TEMPERATURE OF 160° F CONTINUOUSLY AT FULL RATED LOAD
 - 2 - CIRCUIT DESIGNATION, MICRO SWITCH CATALOG LISTING AND "MS" NUMBER MARKED ON SIDE OF SWITCH
 - 3 - FURNISHED UNASSEMBLED
 - 4 - FOR TERMINAL COVER, SEE MICRO SWITCH CATALOG LISTING 5PA7
 - 5 - APPLIES ONLY TO "ON" AND "MOMENTARY ON" POSITIONS
 - 6 - THESE SWITCHES ARE QUALIFIED UNDER MIL-S-3950

THIRD ANGLE PROJECTION

SCALE FULL

DO NOT SCALE PRINT

UNLESS OTHERWISE SPECIFIED TOLERANCES ARE

ONE PLACE	(.0)	±.030
TWO PLACE	(.00)	±.015
THREE PLACE	(.000)	±.005
ANGLES		±
WEIGHT	.07 LBS APPROX	

15A-125, 250 OR 277 VAC

1/2 HP-125VAC: 1 HP-250, 277 VAC

5A-125VAC "L" CODE L191

10A-125, 250, 277 VAC

1/4 HP-125VAC: 1/2 HP-250, 277 VAC

3A-125VAC "L" CODE L192

X-ON Electronics

Largest Supplier of Electrical and Electronic Components

Click to view similar products for [Toggle Switches](#) category:

Click to view products by [Honeywell](#) manufacturer:

Other Similar products are found below :

[A19HV](#) [8A1-C-222](#) [60012L](#) [6006L](#) [6663](#) [7101MD9V30GE](#) [7101SPDV30BE](#) [7103SDV30BE](#) [7105D](#) [7108P3YAV2BE](#) [71YY50282](#)
[7201MD9AVBE](#) [7301K38](#) [7306K36](#) [7310K36](#) [7314K36](#) [7506K4](#) [7592K6](#) [7691K14](#) [7700K1](#) [8396K108](#) [8824K14](#) [8828K13](#) [G2VX](#) [G3VX](#)
[PS83-121G](#) [A101MD9AB04](#) [A101SD9AB04](#) [A101SDCQ04](#) [A103SD9AQ04](#) [A107TZB04](#) [A123P32YZQ](#) [A123S1YZG](#) [A127S1YCQ](#) [1-](#)
[1825192-0](#) [A131S1YZQ](#) [A201SCWZB04](#) [A207SYCB04](#) [A208J61ZQ0004](#) [A221K12KAG](#) [A221S1YZQ](#) [A221T1TCQ](#) [A232K12KZQ](#)
[A232M1YCQ](#) [A323S1CWZQ](#) [A423S1CWZG-M8](#) [A423S1YZQ](#) [12149A-3V](#) [12156AX408](#) [12147AGKX679](#)