



DATA SHEET	53016010
SKINTOP® ST NPT / STR NPT	valid from: 26.02.2016

The SKINTOP® ST NPT / STR NPT is a plastic cable gland with NPT connecting thread. It is designed for universal use, above all for functional safety in manufacturing of machines and equipment, in measurement and control technology and automation technology, as well as in the electronic technology and in manufacturing of robots.



Component parts:

Gland body	Polyamide (UL 94/V2)
Cap nut	Polyamide (UL 94/V2)
Sealing ring	CR

Technical features:

Connecting thread	NPT 3/8" up to NPT 1" acc. to ANSI/ASME B 1.20.1-1983
Functional thread	Multi-start trapezoidal thread
Protection class / NEMA Type Rating	IP68 - 5 bar, test acc. to EN 60529 NEMA Type 1 und Type 12
Strain relief	According to DIN VDE 0619
Temperature range	-20 °C up to +80 °C
Colour	RAL 7001 silver-grey RAL 9005 black, UV-resistant
Design	ST NPT: Standard STR NPT: with reducing sealing ring

Approvals:



UL File Nr. E79903

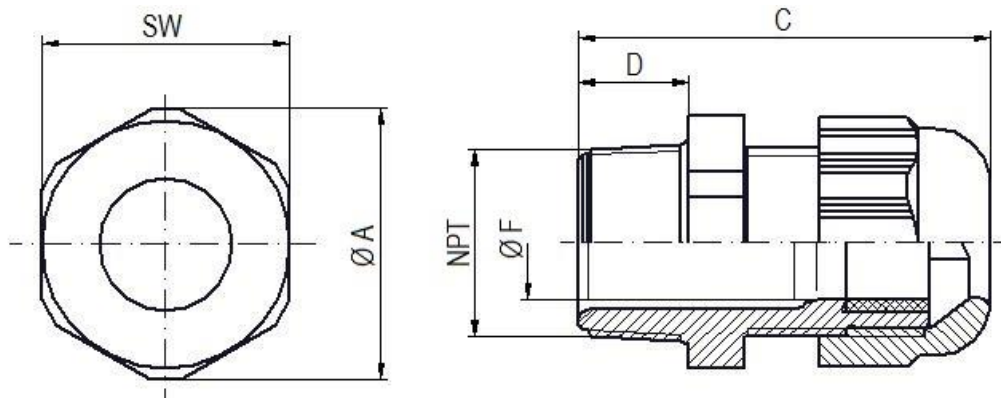
Norm references:



For more information please see our current catalogue.

elaborated by: PDP: M. Wegerer	Document: DB53016010_05EN	Page 1 of 2
-----------------------------------	---------------------------	-------------

DATA SHEET	53016010
SKINTOP® ST NPT / STR NPT	valid from: 26.02.2016



SKINTOP® ST NPT

NPT	SW [mm]	Ø A [mm]	C [mm]		D [mm]	Ø F [mm] Clamping range	Article No.	
			min.	max.			RAL 7001	RAL 9005
NPT 3/8"	19	21,1	35,5	43,0	15	3,5 – 8	53016010	53016210
NPT 1/2"	24	26,5	38,0	47,0	15	5 – 12	53016030	53016230
NPT 3/4"	33	36,2	43,5	53,0	15	13 – 18	53016050	53016250
NPT 1"	42	46,3	48,0	60,0	15	14 – 25	53016060	53016260

SKINTOP® STR NPT

NPT	SW [mm]	Ø A [mm]	C [mm]		D [mm]	Ø F [mm] Clamping range	Article No.	
			min.	max.			RAL 7001	RAL 9005
NPT 3/8"	19	21,1	35,5	43,0	15	2 – 6	53016110	53016310
NPT 1/2"	24	26,5	38,0	47,0	15	4 – 9	53016130	53016330
NPT 3/4"	33	36,2	43,5	53,0	15	9 – 16	53016150	53016350

Recommended torque rates:

Size	Torque [Nm]
NPT 3/8"	3,75
NPT 1/2"	3,75
NPT 3/4"	7,5
NPT 1"	7,5

X-ON Electronics

Largest Supplier of Electrical and Electronic Components

Click to view similar products for [Cable Glands, Strain Reliefs & Cord Grips](#) category:

Click to view products by [Lapp Kabel](#) manufacturer:

Other Similar products are found below :

[120-116-1-1-20BP](#) [120-116-1-1-32BE](#) [120-117-40](#) [120-123-14](#) [120-123-16](#) [120-125-16](#) [120-125-16R](#) [120-125-16Y](#) [120-125-24Y](#) [120-125-28](#) [120-125-28R](#) [120-125-32](#) [120-125-32R](#) [120-125-40](#) [120-125-56](#) [120-126-14](#) [120-126-16](#) [120-126-20](#) [120-126-20BL](#) [120-126-20R](#) [120-126-24](#) [120-126-28](#) [120-126-32](#) [120-126-40BL](#) [120-116-1-1-06BP-509](#) [120-116-1-1-06CP](#) [120-116-1-1-16BE](#) [120-116-1-1-28BP](#) [120-123-20](#) [120-123-24](#) [120-123-32](#) [120-125-20](#) [120-125-20Y](#) [120-125-24](#) [120-125-24R](#) [120-125-28Y](#) [120-126-14BL](#) [120-126-16R](#) [120-126-16Y](#) [120-126-24BL](#) [120-126-28BL](#) [120-126-32BL](#) [120-126-40](#) [120-126-48](#) [120-126-48BL](#) [1300980012](#) [1300980105](#) [DBZM-6828](#) [1498](#) [15190-103 R2](#)