



DATA SHEET	53112210
SKINTOP® MS-SC / MS-SC-XL	valid from : 30.11.2015

The SKINTOP® MS-SC is a nickel-plated brass cable gland designed especially for copper-screened cables to achieve a low-resistance screen contact, strain relief and high protection class. The SKINTOP® MS-SC / MS-SC-XL is not qualified for cases twisting a gland after inserting the cable (e.g. circular connectors). The SKINTOP® MS-SC-XL is constructed identically as SKINTOP® MS-SC but with long connecting thread.



Components:

Gland body	Brass, nickel-plated
Cap nut	Brass, nickel-plated
Insert with lamellar cage	Polyamide
Sealing ring	CR
Contact spring	CuBe, tin-plated
O-ring	NBR

Technical features:

Connecting thread	PG9 up to PG36 acc. to DIN 40430
Functional thread	PG9 up to PG36 acc. to DIN 40430
Protection class	IP68 - 5 bar, test acc. to EN 60529
Temperature range	-25 °C up to +100 °C

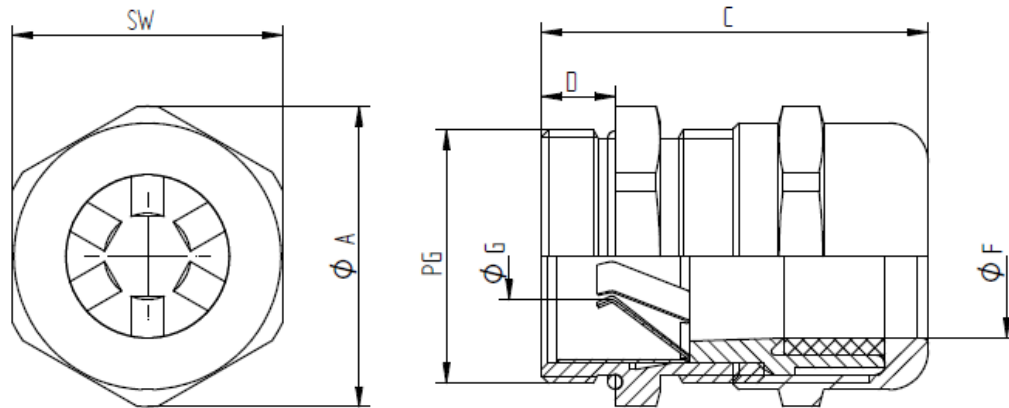
Norm references:



For more information please see our current catalogue.

elaborated by: PDP: T. Dvoulety	Document: DB53112210_3EN	page 1 of 2
------------------------------------	--------------------------	-------------

DATA SHEET	53112210
SKINTOP® MS-SC / MS-SC-XL	valid from : 30.11.2015



SKINTOP® MS-SC

PG	SW [mm]	Ø A [mm]	C [mm]		D [mm]	Ø F [mm] Clamping range	Ø G [mm]	O-Ring [mm]	Artikel-Nr.
			min.	max.					
PG9	17	18,9	23,5	29,0	6,0	3-8	4	13x1,5	53112210
PG11	20	22,2	25,5	32,0	6,0	4-10	4	16x1,5	53112220
PG13,5	22	24,4	26,0	34,0	6,5	5-12	4	18x1,5	53112230
PG16	24	26,7	27,8	35,0	6,5	8-14	6	20x1,5	53112240
PG21	30	33,5	31,5	40,0	7,0	11-18	8	26x2	53112250
PG29	40	43,5	37,2	48,0	8,0	16-25	13	34x2	53112260
PG36	50	54,0	49,8	62,0	15,0	19-32	16	44x2	53112270

SKINTOP® MS-SC-XL

PG	SW [mm]	Ø A [mm]	C [mm]		D [mm]	Ø F [mm] Clamping range	Ø G [mm]	O-Ring [mm]	Artikel-Nr.
			min.	max.					
PG9	17	18,9	29,5	35,0	12	3-8	4	13x1,5	5311 2310
PG11	20	22,2	31,5	38,0	12	4-10	4	16x1,5	5311 2320
PG13,5	22	24,4	31,5	39,5	12	5-12	4	18x1,5	5311 2330
PG16	24	26,7	33,3	40,5	12	8-14	6	20x1,5	5311 2340
PG21	30	33,5	36,5	45,0	12	11-18	8	26x2	5311 2350
PG29	40	43,5	41,2	52,0	15	16-25	13	34x2	5311 2360

Recommended torque rates acc. to DIN VDE 0619:

Größen	Drehmoment [Nm]
PG9 - PG13,5	6,25
PG16	7,5
PG21 - PG36	10

X-ON Electronics

Largest Supplier of Electrical and Electronic Components

Click to view similar products for [Cable Mounting & Accessories](#) category:

Click to view products by [Lapp Kabel](#) manufacturer:

Other Similar products are found below :

[HP-4N](#) [582603-1](#) [009333-000](#) [727844N003](#) [809090N001](#) [8109](#) [843188-000](#) [843459N001](#) [843460N003](#) [8666](#) [967279N002](#) [GPQC1/0](#) [DB-11](#) [1300830208](#) [1300840039](#) [1300900026](#) [1300990052](#) [1301740005](#) [1301800121](#) [1301800416](#) [1300830184](#) [1300990149](#) [1301580036](#) [1301720103](#) [1301720135](#) [1301720152](#) [1301720157](#) [1301740009](#) [1301770011](#) [1301850553](#) [1301860939](#) [1302000074](#) [1302264431](#) [1337706-2](#) [APA18-AK](#) [MTX6UTPSRC-C](#) [1-787307-1](#) [185491N001](#) [HP-6N](#) [C-202-C](#) [202C221-13-0](#) [OMTM-S10-C0](#) [205339-4](#) [CA7308-000](#) [8S23-75FR-CS8184](#) [2684](#) [9648](#) [3089](#) [988382-000](#) [A0270164](#)