



DATA SHEET	53112686
SKINTOP® CLICK / CLICK-R	valid from: 08.07.2016

The polyamide-based SKINTOP® CLICK / CLICK-R with its snap-system enables very fast and easy installation and the integral locking features guarantees permanent vibration resistance. It is designed for use, above all for particular functional safety in manufacturing of machines and equipment, in measuring, controlling and automation, in electronic technology, switch cabinet technology.



Components:

Gland body	Polyamide, V2 acc. to UL 94
Cap nut	Polyamide, V2 acc. to UL 94
Sealing ring	Elastomer
Pressure nut	Polyamide, fibre-glass reinforced, V2 acc. to UL 94
Sealing flat washer (for sizes Ø 12, Ø 16, Ø 20, Ø 25)	Elastomer
O-ring (for size Ø 32)	NBR

Technical features:

Nominal sizes	Ø 12, Ø 16, Ø 20, Ø 25, Ø 32
Functional thread	Multi-start trapezoidal thread
Protection class	Size Ø12: IP68 - 4 bar, test acc. to EN 60529 Sizes Ø16, Ø20, Ø25: IP68 - 5 bar, test acc. to EN 60529 Size Ø32: IP68 - 1 bar, test acc. to EN 60529
Temperature range	Dynamic: -20°C up to +100°C Static: -40°C up to +100°C Recommended mounting temperature: +20 ± 5°C
Design	CLICK Standard CLICK-R with reducing sealing ring
Colour	RAL 7001 silver grey RAL 7035 light grey RAL 9005 black (UV-resistant in accordance to ISO 4892-2:2006, method A)

Approvals:



File Nr. E 79903

Norm references:



For more information please see our current catalogue.

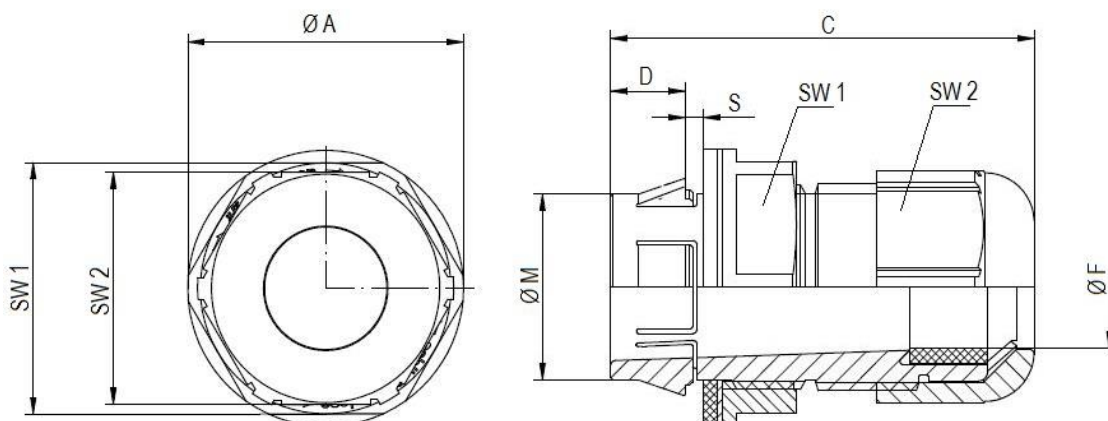
elaborated by: PDP: T. Dvoulety	Document: DB53112686_10EN	page 1 of 3
------------------------------------	---------------------------	-------------



DATA SHEET	53112686
SKINTOP® CLICK / CLICK-R	valid from: 08.07.2016

elaborated by: PDP: T. Dvoulety	Document: DB53112686_10EN	page 2 of 3
------------------------------------	---------------------------	-------------

DATA SHEET	53112686
SKINTOP® CLICK / CLICK-R	valid from: 08.07.2016



SKINTOP® CLICK

Size	Ø M [mm] Installation hole	SW1 / SW2 [mm]	Ø A [mm]	C [mm]	D [mm]	Ø F [mm] Clamping range	S [mm] Wall thickness	Article No.		
								RAL 7035	RAL 7001	RAL 9005
Ø 12	Ø 12,3 _{-0,2}	18 / 15	20,0	40	8	4,5–7	1–4	53112692	53112921	53112923
Ø 16	Ø 16,3 _{-0,2}	22 / 19	24,2	42	8	5–9	1–4	53112686	53112876	53112882
Ø 20	Ø 20,3 _{-0,2}	27 / 25	29,7	45	8	7–13	1–4	53112687	53112877	53112883
Ø 25	Ø 25,3 _{-0,2}	32 / 30	35,2	48	8	9–17	1–4	53112688	53112878	53112884
Ø 32	Ø 32,3 _{-0,2}	40 / 36	44,0	56	8	11–20	1–4	53112694	53112922	53112924

SKINTOP® CLICK-R

Size	Ø M [mm] Installation hole	SW1 / SW2 [mm]	Ø A [mm]	C [mm]	D [mm]	Ø F [mm] Clamping range	S [mm] Wall thickness	Article No.		
								RAL 7035	RAL 7001	RAL 9005
Ø 12	Ø 12,3 _{-0,2}	18 / 15	20,0	40	8	3,5–5	1–4	53112925	53112927	53112929
Ø 16	Ø 16,3 _{-0,2}	22 / 19	24,2	42	8	4–7	1–4	53112689	53112879	53112885
Ø 20	Ø 20,3 _{-0,2}	27 / 25	29,7	45	8	5–10	1–4	53112690	53112880	53112886
Ø 25	Ø 25,3 _{-0,2}	32 / 30	35,2	48	8	6–13	1–4	53112691	53112881	53112887
Ø 32	Ø 32,3 _{-0,2}	40 / 36	44,0	56	8	7–15	1–4	53112926	53112928	53112931

X-ON Electronics

Largest Supplier of Electrical and Electronic Components

Click to view similar products for [Cable Glands, Strain Reliefs & Cord Grips](#) category:

Click to view products by [Lapp Kabel](#) manufacturer:

Other Similar products are found below :

[120-116-1-1-20BP](#) [120-116-1-1-32BE](#) [120-117-40](#) [120-123-14](#) [120-123-16](#) [120-125-16](#) [120-125-16R](#) [120-125-16Y](#) [120-125-24Y](#) [120-125-28](#) [120-125-28R](#) [120-125-32](#) [120-125-32R](#) [120-125-40](#) [120-125-56](#) [120-126-14](#) [120-126-16](#) [120-126-20](#) [120-126-20BL](#) [120-126-20R](#) [120-126-24](#) [120-126-28](#) [120-126-32](#) [120-126-40BL](#) [120-116-1-1-06BP-509](#) [120-116-1-1-06CP](#) [120-116-1-1-16BE](#) [120-116-1-1-28BP](#) [120-123-20](#) [120-123-24](#) [120-123-32](#) [120-125-20](#) [120-125-20Y](#) [120-125-24](#) [120-125-24R](#) [120-125-28Y](#) [120-126-14BL](#) [120-126-16R](#) [120-126-16Y](#) [120-126-24BL](#) [120-126-28BL](#) [120-126-32BL](#) [120-126-40](#) [120-126-48](#) [120-126-48BL](#) [1300980012](#) [1300980105](#) [DBZM-6828](#) [1498](#) [15190-103 R2](#)