

SKINTOP® CLICK

SKINTOP® CLICK, plastic cable gland with time-saving CLICK system, simple, free assembly and vibration protection, no thread required

Info

The most innovative cable insertion system in the market for a fast and highly flexible assembly. Simply click in - turn to the left - turn to the right - finished. The result: fixed, centred, strain-relieved fitting and maximum protection class in a few seconds.



Variety of approval certifications



UV-resistant



Temperature-resistant



Assembly time



Wide clamping range



Good chemical resistance

Benefits

Fewer parts, counter nut no longer needed
Save up to 70% of the time with the innovative CLICK system
Simple, free assembly in any position
Vibration protection
No thread required

SKINTOP® CLICK

Application range

Automation technology
Solar applications
Control cabinet manufacturing
Measurement, control and electrical applications
Air-conditioning technology

Norm references / Approvals

UL File Nr. E79903

Included

Included: disassembly tool

Technical Data

Classification ETIM 5:	ETIM 5.0 Class-ID: EC000441 ETIM 5.0 Class-Description: Cable screw gland
Classification ETIM 6:	ETIM 6.0 Class-ID: EC000441 ETIM 6.0 Class-Description: Cable screw gland
Colour delivered:	Silver grey (RAL 7001) Light grey (RAL 7035) Black (RAL 9005), UV-resistant
Material:	Body: special polyamide Seal: special elastomer
Protection rating:	IP 68 - 4 bar (M12) IP 68 - 5 bar (M16 - M25) IP 68 - 1 bar (M32)
Temperature range:	Dynamic: -20°C to +100°C Fixed: -40°C to +100°C

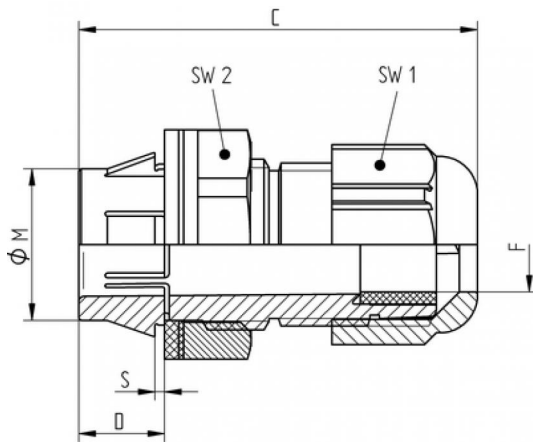
Note

Photographs and graphics are not to scale and do not represent detailed images of the respective products.
Prices are net prices without VAT and surcharges. Sale to business customers only.

Article number	Article designation / size	Clamping range ØF (mm)	M (hole in mm)	SW1/SW2 mm	Overall length, C (mm)	Thread (mm)
SKINTOP® CLICK light grey						
53112692	CLICK 12	4.5 - 7	12.3 (-0.2)	15 / 18	40	8
53112686	CLICK 16	5 - 9	16.3 (-0.2)	19 / 22	42	8
53112687	CLICK 20	7 - 13	20.3 (-0.2)	25 / 27	45	8
53112688	CLICK 25	9 - 17	25.3 (-0.2)	30 / 32	48	8
53112694	CLICK 32	11 - 20	32.3 (-0.2)	36 / 40	56	8
SKINTOP® CLICK silver grey						
53112921	CLICK 12	4.5 - 7	12.3 (-0.2)	15 / 18	40	8
53112876	CLICK 16	5 - 9	16.3 (-0.2)	19 / 22	42	8
53112877	CLICK 20	7 - 13	20.3 (-0.2)	25 / 27	45	8
53112878	CLICK 25	9 - 17	25.3 (-0.2)	30 / 32	48	8
53112922	CLICK 32	11 - 20	32.3 (-0.2)	36 / 40	56	8
SKINTOP® CLICK black						
53112923	CLICK 12	4.5 - 7	12.3 (-0.2)	15 / 18	40	8
53112882	CLICK 16	5 - 9	16.3 (-0.2)	19 / 22	42	8
53112883	CLICK 20	7 - 13	20.3 (-0.2)	25 / 27	45	8
53112884	CLICK 25	9 - 17	25.3 (-0.2)	30 / 32	48	8
53112924	CLICK 32	11 - 20	32.3 (-0.2)	36 / 40	56	8

Last Update (19.03.2018)
 ©2018 Lapp Group - Technical changes reserved
 Product Management www.lappkabel.de
 You can find the current technical data in the corresponding data sheet.
 PN 0456 / 02_03_16

SKINTOP® CLICK



X-ON Electronics

Largest Supplier of Electrical and Electronic Components

Click to view similar products for [Cable Glands, Strain Reliefs & Cord Grips](#) category:

Click to view products by [Lapp Kabel](#) manufacturer:

Other Similar products are found below :

[120-116-1-1-20BP](#) [120-116-1-1-32BE](#) [120-117-40](#) [120-123-14](#) [120-123-16](#) [120-125-16](#) [120-125-16R](#) [120-125-16Y](#) [120-125-24Y](#) [120-125-28](#) [120-125-28R](#) [120-125-32](#) [120-125-32R](#) [120-125-40](#) [120-125-56](#) [120-126-14](#) [120-126-16](#) [120-126-20](#) [120-126-20BL](#) [120-126-20R](#) [120-126-24](#) [120-126-28](#) [120-126-32](#) [120-126-40BL](#) [120-116-1-1-06BP-509](#) [120-116-1-1-06CP](#) [120-116-1-1-16BE](#) [120-116-1-1-28BP](#) [120-123-20](#) [120-123-24](#) [120-123-32](#) [120-125-20](#) [120-125-20Y](#) [120-125-24](#) [120-125-24R](#) [120-125-28Y](#) [120-126-14BL](#) [120-126-16R](#) [120-126-16Y](#) [120-126-24BL](#) [120-126-28BL](#) [120-126-32BL](#) [120-126-40](#) [120-126-48](#) [120-126-48BL](#) [1300980012](#) [1300980105](#) [DBZM-6828](#) [1498](#) [15190-103 R2](#)