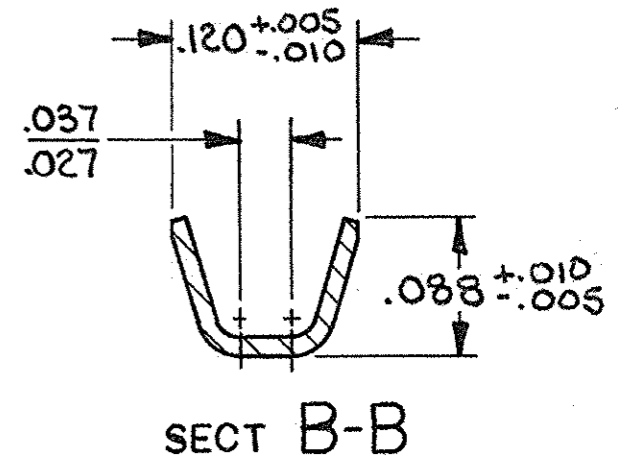
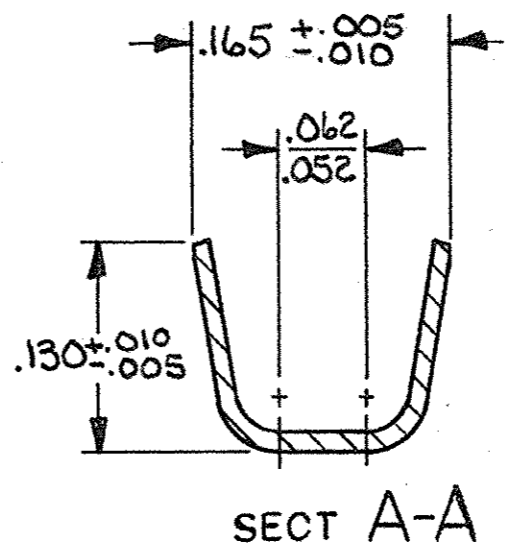
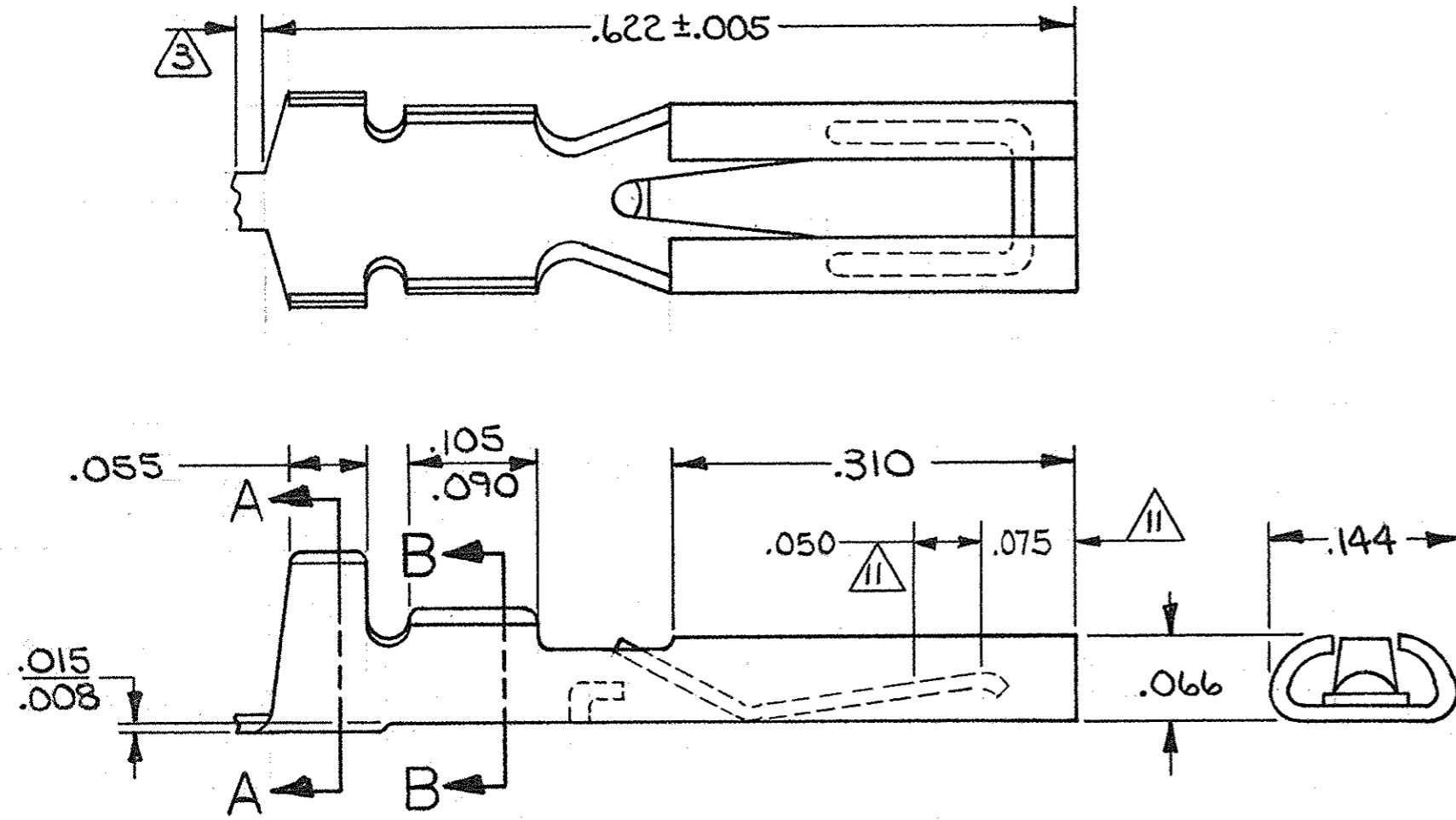


© COPYRIGHT 1981 BY AMP INCORPORATED, HARRISBURG, PA. ALL INTERNATIONAL RIGHTS RESERVED. AMP INCORPORATED PRODUCTS COVERED BY U. S. AND FOREIGN PATENTS AND/OR PATENTS PENDING.

REVISIONS						
P	F	ZONE	LTR	DESCRIPTION	DATE	APPROVED
01	✓		O1	REVISED PER 8079	8/11/82	EAM
	✓		P	OBS-4,5-7 ECNOF 0949	11-88	JW
	✓		R	REVISED PER OH14-0139-05	1-06	PY RG



1. FOR CRIMPING INFORMATION SEE SPEC.#108-9201.
2. FOR SUPPLEMENTAL SPECIFICATIONS SEE #108-9004.
- 3 CUT-OFF TAB FOR LOOSE PIECE PARTS IS .005-.020.
- 4 .000015 GOLD OVER .000030 NICKEL IN CONTACT AREA.
- 5 .000030 GOLD OVER .000030 NICKEL IN CONTACT AREA.
- 6 .000050 GOLD OVER .000030 NICKEL IN CONTACT AREA.
- 7 MAT'L = PHOS. BRONZE
- 8 INSUL. RANGE: .054 - .090 OR 2(.045-.072)
- 9 WIRE RANGE: 1-#18, 2-#20 OR 2-#22
- 10 .000100 TIN-LEAD OVER .000030 NICKEL ON WIRE BARREL.
- 11 THE GOLD COVERED AREA WILL BE THE .125 BAND. THE GOLD THICKNESS IS TO BE MEASURED IN THE .050 WIDE BAND.
- 12 OBSOLETE PART NO.
- 13 .000100 TIN OVER .000030 NICKEL IN WIRE BARREL

—	9	8	5	13	5-531589-3
12 531589-7	9	8	12 6	10	531589-4
531589-6	9	8	5	10	531589-3
12 531589-5	9	8	4	10	531589-2

UNLESS OTHERWISE SPECIFIED DIMENSIONS ARE IN INCHES. TOLERANCES ON: DECIMALS ±.010 ANGLES ±	CONTRACT NO	AMP AMP INCORPORATED Harrisburg, Pa.		
	DR <i>D. Evans</i> 2-26-81	NAME AMP BLADE II RECEPTACLE CONTACT		
	CHK <i>D. Kelly</i> 2-26-81	SIZE B	CODE IDENT NO 00779	DRAWING NO 531589
	MATERIAL 7	DSGN APPD	SCALE 8-1 SHEET 1 OF 1	
FINISH 4 5 6 10	OTHER APPD			

CUSTOMER DRAWING

X-ON Electronics

Largest Supplier of Electrical and Electronic Components

Click to view similar products for [Standard Card Edge Connectors](#) category:

Click to view products by [TE Connectivity](#) manufacturer:

Other Similar products are found below :

[6565204-6](#) [PKC-156](#) [1437274-4](#) [147889-1](#) [1489165-4](#) [EBT156-12B1X](#) [EBT15622B2X](#) [EBT156-22R2W](#) [1-582587-1](#) [1-582589-1](#) [2-6437275-9](#) [284-0102-12100](#) [306022901000000](#) [307-012-502-202](#) [307-024-526-201](#) [307-056-520-300](#) [307-080-526-208](#) [1926088-2](#) [245-062-520-350](#) [287-0032-12101](#) [306-010-500-112](#) [306-028-525-102](#) [306-240-318](#) [307-036-502-202](#) [307-036-521-301](#) [307-072-526-202](#) [345-060-559-303](#) [368-004-520-201](#) [392-008-559-201](#) [534671-1](#) [5-530501-5](#) [341-240-317](#) [345-029-520-300](#) [345-030-500-301](#) [345-044-500-300](#) [345-220-058](#) [346-240-318](#) [357-030-526-201](#) [387-012-523-300](#) [395-044-520-300](#) [395-100-524-300](#) [50-12B-10](#) [50-6SN-5](#) [09-07-2032](#) [10035388-106LF](#) [10035388-802LF](#) [10115859-011LF](#) [10122859-009LF](#) [101269333204245CLF](#) [10127905-B04B24BLF](#)