

**M8-Round-Plug Connector, Single-Ended Cordsets,
According to IEC 61976-2-104**

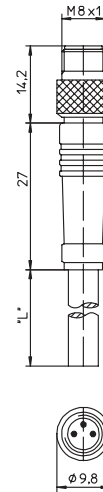
RSMV | RSMWV



3- and 4-Poles

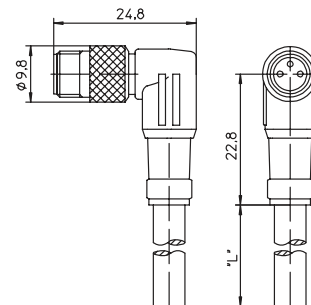
Actuator/sensor cordset, single-ended, M8,
3- and 4-poles male straight connector with
self-locking threaded joint and molded cable.

RSMV



Actuator/sensor cordset, single-ended, M8,
3- and 4-poles male 90° connector with self-
locking threaded joint and molded cable.

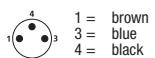
RSMWV



Pin Assignments

M8

3 poles



- 1 = brown
- 3 = blue
- 4 = black

4 poles



- 1 = brown
- 2 = white
- 3 = blue
- 4 = black



Be Certain with Belden

M8-Round-Plug Connector, Single-Ended Cordsets, According to IEC 61976-2-104

RSMV 3 | RSMV 4 | RSMWV 3 | RSMWV 4

Technical Data

Environmental

Degree of protection IP 67 / NEMA 6P
Operating temperature range -40°C (-40°F) / +90°C (+194°F)

Mechanical

Housing / Molded body TPU
Insert PA / TPU
Contact CuZn, pre-nickelated and 0.8 microns gold-plated
Coupling nut CuZn, nickel-plated

Electrical data

Contact resistance ≤ 5 mΩ
Nominal current at 40°C 4 A
Nominal voltage 3 poles 60 V
4 poles 30 V
Rated voltage 3 poles 63 V
4 poles 36 V
Test voltage 3 poles 1.5 kV eff. / 60 s
4 poles 0.8 kV eff. / 60 s
Insulation resistance > 10⁹ Ω
Pollution degree 3

Cable Specifications

Cable No.	Outer Jacket	Conductor Size	Jacket Color	OD
06	PVC	3 x 0.34 mm ²	Orange	.197" (5.0 mm)
07	PVC	4 x 0.75 mm ²	Orange	.197" (5.0 mm)
224	PUR, halogen-free	3 x 0.34 mm ²	Black	.169" (4.3 mm)
225	PUR, halogen-free	4 x 0.34 mm ²	Black	.185" (4.7 mm)

Part Number	Pins	Outer Jacket	Standard Cable Lengths	Characteristics
RSMV 3-06/...M	3	PVC	2 M / 5 M / 10 M	
RSMV 3-224/...M		PUR, halogen-free	2 M / 5 M / 10 M	
RSMV 4-07/...M	4	PVC	2 M / 5 M / 10 M	
RSMV 4-225/...M		PUR-halogen-free	2 M / 5 M / 10 M	

X-ON Electronics

Largest Supplier of Electrical and Electronic Components

Click to view similar products for [D-Sub Micro-D Connectors](#) category:

Click to view products by [Belden](#) manufacturer:

Other Similar products are found below :

[M243082311F](#) [M2430834F](#) [M24308/4-6F](#) [65-1920-15](#) [M83513/01-HN](#) [M83513/03-A10N](#) [M83513/03-B14C](#) [M83513/03-D09C](#) [M83513/03-D11N](#) [M83513/03-G02N](#) [M83513/03-G05N](#) [M83513/03-G08C](#) [M83513/03-G09N](#) [M83513/03-G12N](#) [M83513/03-H13N](#) [M83513/04-E15N](#) [M83513/04-G04C](#) [M83513/10-E01NP](#) [M83513/13-B01NP](#) [M83513/13-C01NN](#) [M83513/16-A01CP](#) [M83513/22-D01NP](#) [M83513/25-B01NP](#) [6R2004A30F015](#) [6R4006A28A120](#) [703006A13F060](#) [704002A03F200](#) [705001A13F120](#) [7-1532020-5](#) [748567-1-P](#) [MDB1-31SH003](#) [MDM-15PBS-L58](#) [MDM-15PCBRM7T](#) [MDM-15PH003B-A174](#) [75-068624-59S](#) [MDM-15PH034B](#) [MDM-15SH001L](#) [MDM-15SH004B](#) [MDM-21PH003K](#) [MDM-25PH003B-A174](#) [MDM-25PHW01F-A174](#) [MDM-37PH006L-A174](#) [MDM-37PH048M5-A174](#) [MDM-37SCBRP-A174](#) [MDM-51PBS-L56](#) [MDM-51PSF](#) [MDM-51SH003M7](#) [MDM-51SSM7-A174](#) [MDM-9PBSP-L58](#) [MDM-9PH003M7](#)