

DRAWING MADE IN THIRD ANGLE PROJECTION

3

2

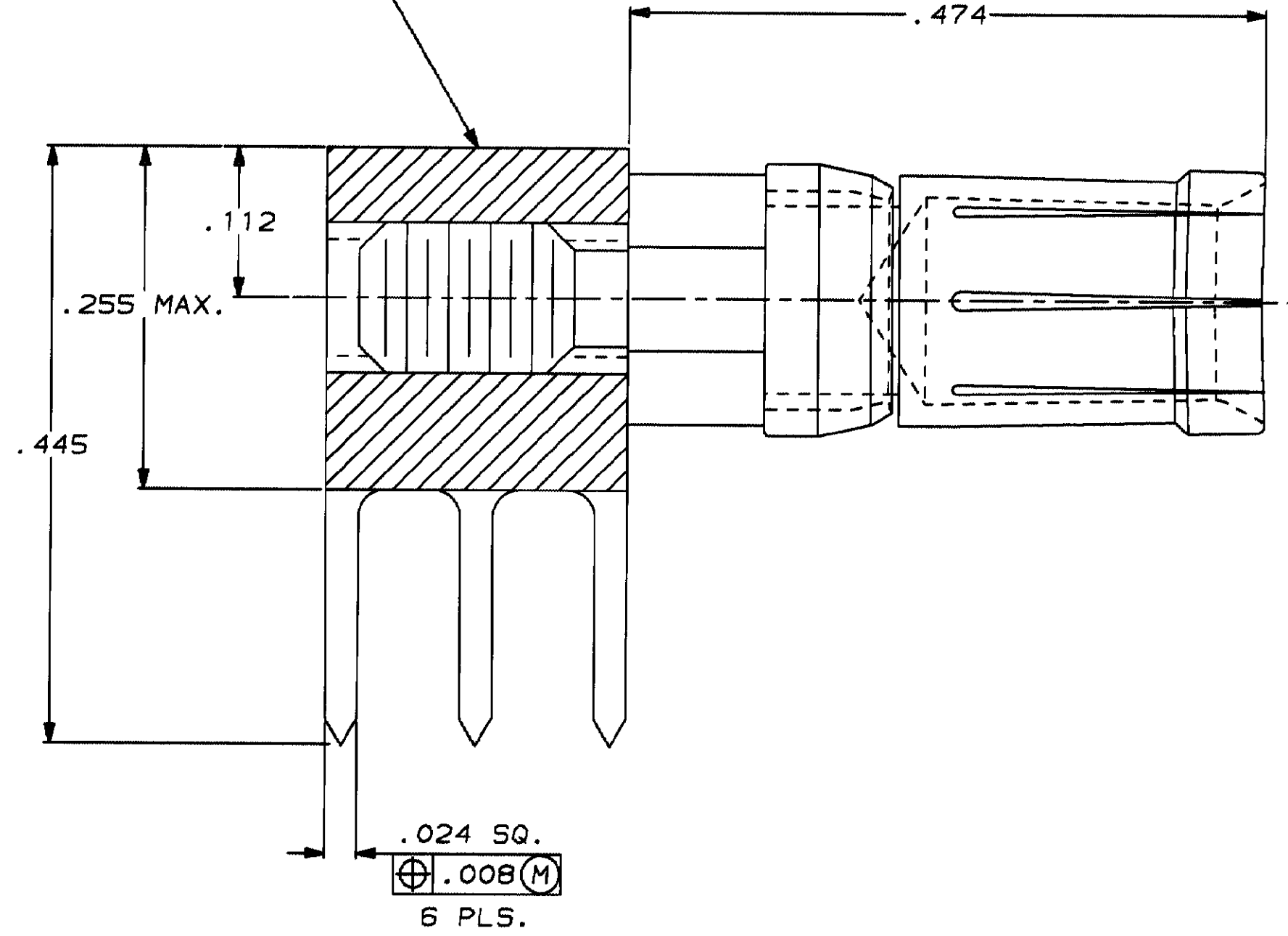
1

THIS DRAWING IS UNPUBLISHED. RELEASED FOR PUBLICATION, 19  
 © COPYRIGHT 19 BY AMP INCORPORATED, HARRISBURG, PA. ALL INTERNATIONAL RIGHTS RESERVED. AMP PRODUCTS MAY BE COVERED BY U.S. AND FOREIGN PATENTS AND/OR PATENTS PENDING.

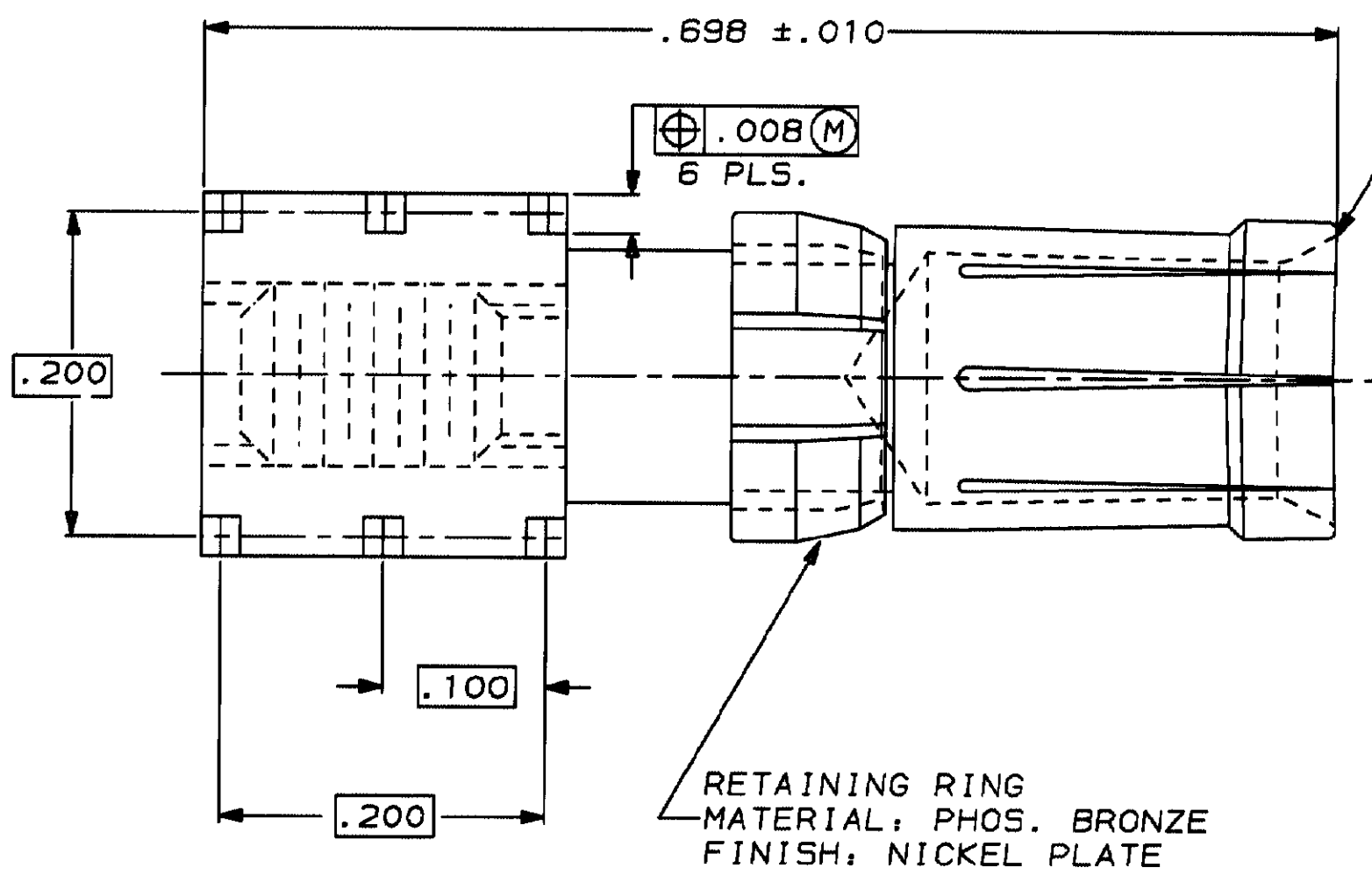
LOC AD	DIST	P	F	REVISIONS				
				ZONE	LTR	DESCRIPTION	DATE	APPROVED
	25			B		ECN AB1530, REDRAWN	8/8/86	RKS
				C		ECN AD2246	1/21/88	DLH
				D		ECN AD2557		DLH
				D1		SUPERSEDES #534137 ECN AD2665	7/11/88	DLH
				E		REV. PER ECN. AD5734	08/09/91	TH

SOCKET BASE  
 MATERIAL: COPPER ALLOY, CA 360  
 FINISH:  $\triangle 2$   $\triangle 3$

- $\triangle 1$  CONTACT FINISH: .000030 GOLD PLATE OVER .000050 THK. NICKEL UNDERPLATE.
- $\triangle 2$  SOCKET BASE FINISH: GOLD FLASH OVER .000050 NICKEL UNDERPLATE.
- $\triangle 3$  SOCKET BASE FINISH: .000150 MATTE TIN-LEAD OVER .000050 NICKEL UNDERPLATE.



SOCKET CONTACT  
 MATERIAL: BERYLLIUM COPPER, CA 173  
 FINISH:  $\triangle 1$



RETAINING RING  
 MATERIAL: PHOS. BRONZE  
 FINISH: NICKEL PLATE

$\triangle 1$ $\triangle 3$	532823-2
$\triangle 1$ $\triangle 2$	532823-1
FINISH	PART NUMBER

UNLESS OTHERWISE SPECIFIED DIMENSIONS ARE IN INCHES TOLERANCES ON:		DR 1/19/88 D. HOFFMAN		AMP INCORPORATED Harrisburg, Pa. 17105	
2 PL DEC ± -		CHK 01/23/92 J.D. WEARY			
3 PL DEC ± .005		APPD 01/23/92 J.D. WEARY		NAME	
ANGLES ± -		APPD 01/23/92 J.D. WEARY		RECEPTACLE ASSEMBLY, POWER CONTACT, HDi	
MATERIAL		PRODUCT SPEC		SIZE	
				C	
FINISH		APPLICATION SPEC		FSCM NO	
$\triangle 1$ $\triangle 2$ $\triangle 3$				00779	
		WEIGHT		DRAWING NO	
				532823	
				SCALE 10:1	
				SHEET 1 of 1	

## X-ON Electronics

Largest Supplier of Electrical and Electronic Components

*Click to view similar products for [High Speed/Modular Connectors](#) category:*

*Click to view products by [TE Connectivity](#) manufacturer:*

Other Similar products are found below :

[2332816-1](#) [89006-1137LF](#) [650827-1](#) [65762-001LF](#) [73474-201LF](#) [74040-1346](#) [74075-0267](#) [88911-201LF](#) [9514M0C20D](#) [1410191-1](#)  
[1410337-1](#) [1410368-3](#) [1410964-2](#) [1410326-3](#) [1410367-3](#) [1410971-4](#) [1467833-1](#) [2000877-1](#) [2000878-1](#) [2041314-1](#) [2065387-1](#) [2187307-1](#)  
[2187462-1](#) [2226278-6](#) [KA81-07](#) [91290-101LF](#) [1934290-1](#) [2000875-1](#) [2065917-1](#) [2102736-2](#) [FSR-40](#) [2169868-2](#) [2226279-2](#) [22354-8](#) [437-](#)  
[5040-000](#) [5-1393565-0](#) [532449-3](#) [532803-2](#) [34745-0001](#) [0740618502](#) [0760151403](#) [0760551105](#) [0760551608](#) [0761451128](#) [0761651124](#)  
[0761655108](#) [0761659807](#) [0769853208](#) [0736440217](#) [0758324203](#)