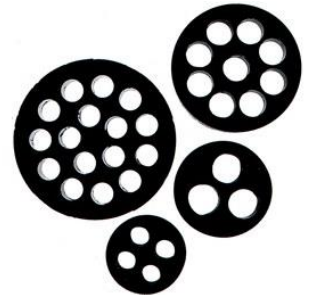




| | |
|-----------------------------------|----------------------------|
| DATA SHEET | 5331 6220 |
| SKINTOP® DIX-M / DIX-M FKM | valid from : 20.04.2017 |

The SKINTOP® DIX multiple seal insert with several holes makes it possible to pass several leads through a gland at the same time. Consequently components can be dimensioned smaller.
The SKINTOP® DIX FKM is resistant to oils and biological oils, solvents and chemicals.



Technical features SKINTOP® DIX-M:

| | |
|-------------------|----------------------------------------------------------------------------------------------------------------------|
| Material | NBR |
| Sizes | M16 up to M50 |
| Temperature range | -40 °C up to +100 °C |
| Colour | Black |
| Protection class | IP54 acc. to EN 60529 IP68 - 5 bar, acc. to EN 60529 (can be achieved if all the holes are optimally occupied) |

Technical features SKINTOP® DIX-M FKM:

| | |
|-------------------|----------------------------------------------------------------------------------------------------------------------|
| Material | FKM |
| Sizes | M20, M40 |
| Temperature range | -20 °C up to +200 °C |
| Colour | Black |
| Protection class | IP54 acc. to EN 60529 IP68 - 5 bar, acc. to EN 60529 (can be achieved if all the holes are optimally occupied) |

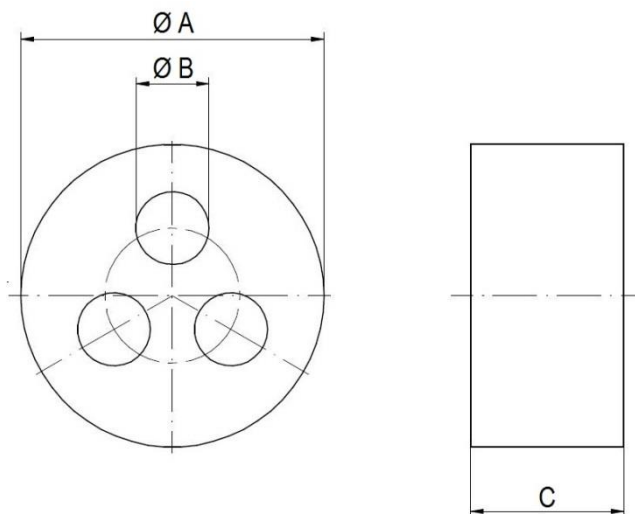
Norm references:



For more information please see our current catalogue.

| | | |
|-----------------------------------|---------------------------|-------------|
| elaborated by: PDP: M. Wegerer | Document: DB53316220_04EN | page 1 of 3 |
|-----------------------------------|---------------------------|-------------|

| | |
|-----------------------------------|----------------------------|
| DATA SHEET | 5331 6220 |
| SKINTOP® DIX-M / DIX-M FKM | valid from : 20.04.2017 |



SKINTOP® DIX-M

| Size | $\varnothing A$ [mm] | $\varnothing B$ [mm] | Number of holes | C [mm] | Article No. |
|------|-------------------------|-------------------------|--------------------|-----------|-------------|
| M16 | 12,6 | 2 | 2 | 8,0 | 53316220 |
| M16 | 12,6 | 2 | 4 | 8,0 | 53316420 |
| M16 | 12,6 | 3 | 2 | 8,0 | 53316230 |
| M16 | 12,6 | 4 | 2 | 8,0 | 53316240 |
| M20 | 16,6 | 5 | 2 | 8,4 | 53320250 |
| M20 | 16,6 | 6 | 2 | 8,4 | 53320260 |
| M20 | 16,6 | 4 | 3 | 8,4 | 53320340 |
| M20 | 16,6 | 5,3 | 3 | 8,4 | 53320353 |
| M20 | 16,6 | 4 | 4 | 8,4 | 53320440 |
| M20 | 16,6 | 2 | 9 | 8,4 | 53320920 |
| M20 | 16,6 | 3 | 4 | 8,4 | 53320430 |
| M25 | 20,8 | 6 | 2 | 9,5 | 53325260 |
| M25 | 20,8 | 5 | 2 | 9,5 | 53325250 |
| M25 | 20,8 | 5 | 3 | 9,5 | 53325350 |
| M25 | 20,8 | 6 | 3 | 9,5 | 53325360 |
| M25 | 20,8 | 7 | 3 | 9,5 | 53325370 |
| M25 | 20,8 | 5 | 4 | 9,5 | 53325450 |
| M25 | 20,8 | 4 | 5 | 9,5 | 53325540 |



| | |
|-----------------------------------|----------------------------|
| DATA SHEET | 5331 6220 |
| SKINTOP® DIX-M / DIX-M FKM | valid from : 20.04.2017 |

| Size | Ø A [mm] | Ø B [mm] | Number of holes | C [mm] | Article No. |
|------|----------|----------|-----------------|--------|-------------|
| M32 | 25,6 | 7 | 2 | 12,0 | 53332270 |
| M32 | 25,6 | 8 | 2 | 12,0 | 53332280 |
| M32 | 25,6 | 9 | 2 | 12,0 | 53332290 |
| M32 | 25,6 | 7 | 3 | 12,0 | 53332370 |
| M32 | 25,6 | 8 | 3 | 12,0 | 53332380 |
| M32 | 25,6 | 6 | 4 | 12,0 | 53332460 |
| M32 | 25,6 | 7 | 4 | 12,0 | 53332470 |
| M32 | 25,6 | 6 | 5 | 12,0 | 53332560 |
| M32 | 25,6 | 5 | 6 | 12,0 | 53332650 |
| M32 | 25,6 | 4 | 8 | 12,0 | 53332840 |
| M32 | 25,6 | 5 | 8 | 12,0 | 53332850 |
| M32 | 25,6 | 4 | 9 | 12,0 | 53332940 |
| M40 | 33,8 | 9 | 2 | 14,5 | 53340290 |
| M40 | 33,8 | 10 | 3 | 14,5 | 53340310 |
| M40 | 33,8 | 8 | 4 | 14,5 | 53340480 |
| M40 | 33,8 | 9 | 4 | 14,5 | 53340490 |
| M40 | 33,8 | 8 | 5 | 14,5 | 53340580 |
| M40 | 33,8 | 9 | 5 | 14,5 | 53340590 |
| M40 | 33,8 | 7 | 6 | 14,5 | 53340670 |
| M40 | 33,8 | 6 | 8 | 14,5 | 53340860 |
| M40 | 33,8 | 6,9 | 9 | 14,5 | 53340969 |
| M50 | 41,8 | 8 | 11 | 18,0 | 53350118 |
| M50 | 41,8 | 8 | 6 | 18,0 | 53350680 |
| M50 | 41,8 | 8 | 7 | 18,0 | 53350780 |
| M50 | 41,8 | 7 | 8 | 18,0 | 53350870 |
| M50 | 41,8 | 7 | 14 | 18,0 | 53350147 |
| M50 | 41,8 | 4 | 16 | 18,0 | 53350164 |
| M50 | 41,8 | 6 | 16 | 18,0 | 53350166 |

SKINTOP® DIX-M FKM

| Size | Ø A [mm] | Ø B [mm] | Number of holes | C [mm] | Article No. |
|------|----------|----------|-----------------|--------|-------------|
| M20 | 16,6 | 5 | 2 | 8,4 | 53420250 |
| M20 | 16,6 | 6 | 2 | 8,4 | 53420260 |
| M40 | 33,8 | 6,9 | 9 | 14,5 | 53440969 |

| | | |
|-----------------------------------|----------------------------|-------------|
| elaborated by: PDP: M. Wegerer | Document: DB53316220_ 04EN | page 3 of 3 |
|-----------------------------------|----------------------------|-------------|

X-ON Electronics

Largest Supplier of Electrical and Electronic Components

Click to view similar products for [Cable Glands, Strain Reliefs & Cord Grips](#) category:

Click to view products by [Lapp Kabel](#) manufacturer:

Other Similar products are found below :

[120-116-1-1-20BP](#) [120-116-1-1-32BE](#) [120-117-40](#) [120-123-14](#) [120-123-16](#) [120-125-16](#) [120-125-16R](#) [120-125-16Y](#) [120-125-24Y](#) [120-125-28](#) [120-125-28R](#) [120-125-32](#) [120-125-32R](#) [120-125-40](#) [120-125-56](#) [120-126-14](#) [120-126-16](#) [120-126-20](#) [120-126-20BL](#) [120-126-20R](#) [120-126-24](#) [120-126-28](#) [120-126-32](#) [120-126-40BL](#) [120-116-1-1-06BP-509](#) [120-116-1-1-06CP](#) [120-116-1-1-16BE](#) [120-116-1-1-28BP](#) [120-123-20](#) [120-123-24](#) [120-123-32](#) [120-125-20](#) [120-125-20Y](#) [120-125-24](#) [120-125-24R](#) [120-125-28Y](#) [120-126-14BL](#) [120-126-16R](#) [120-126-16Y](#) [120-126-24BL](#) [120-126-28BL](#) [120-126-32BL](#) [120-126-40](#) [120-126-48](#) [120-126-48BL](#) [1300980012](#) [1300980105](#) [DBZM-6828](#) [1498](#) [15190-103 R2](#)