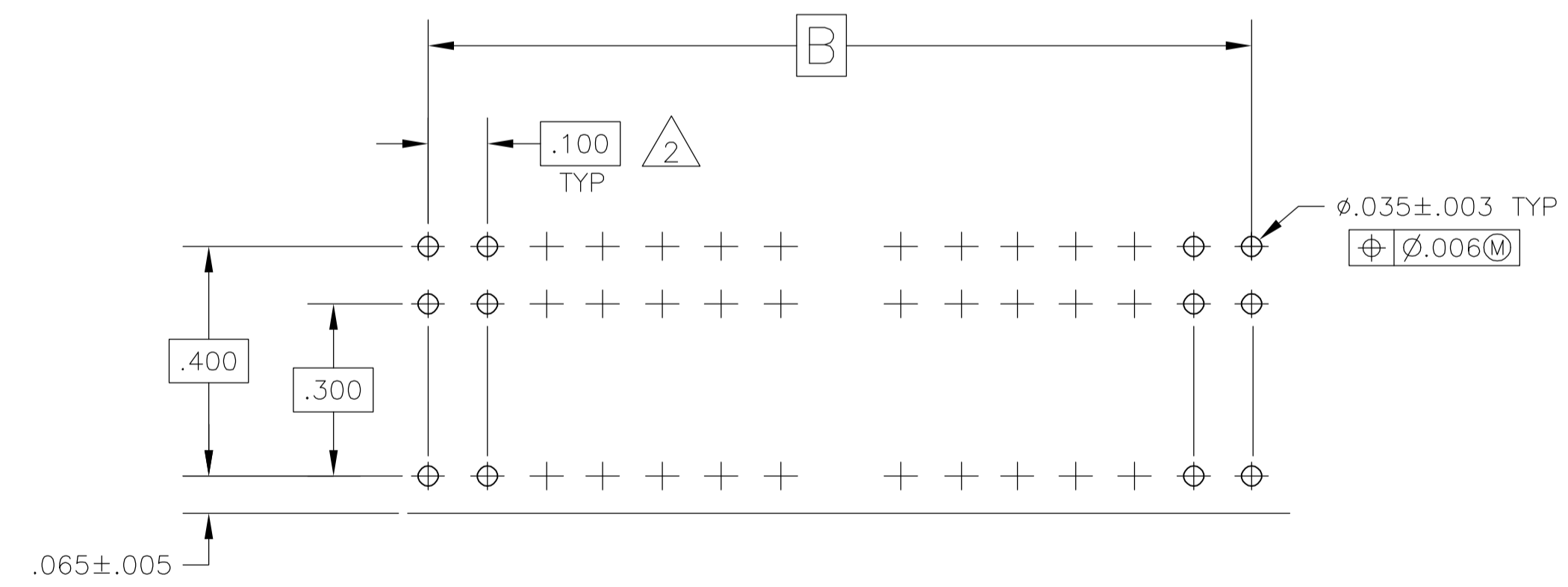
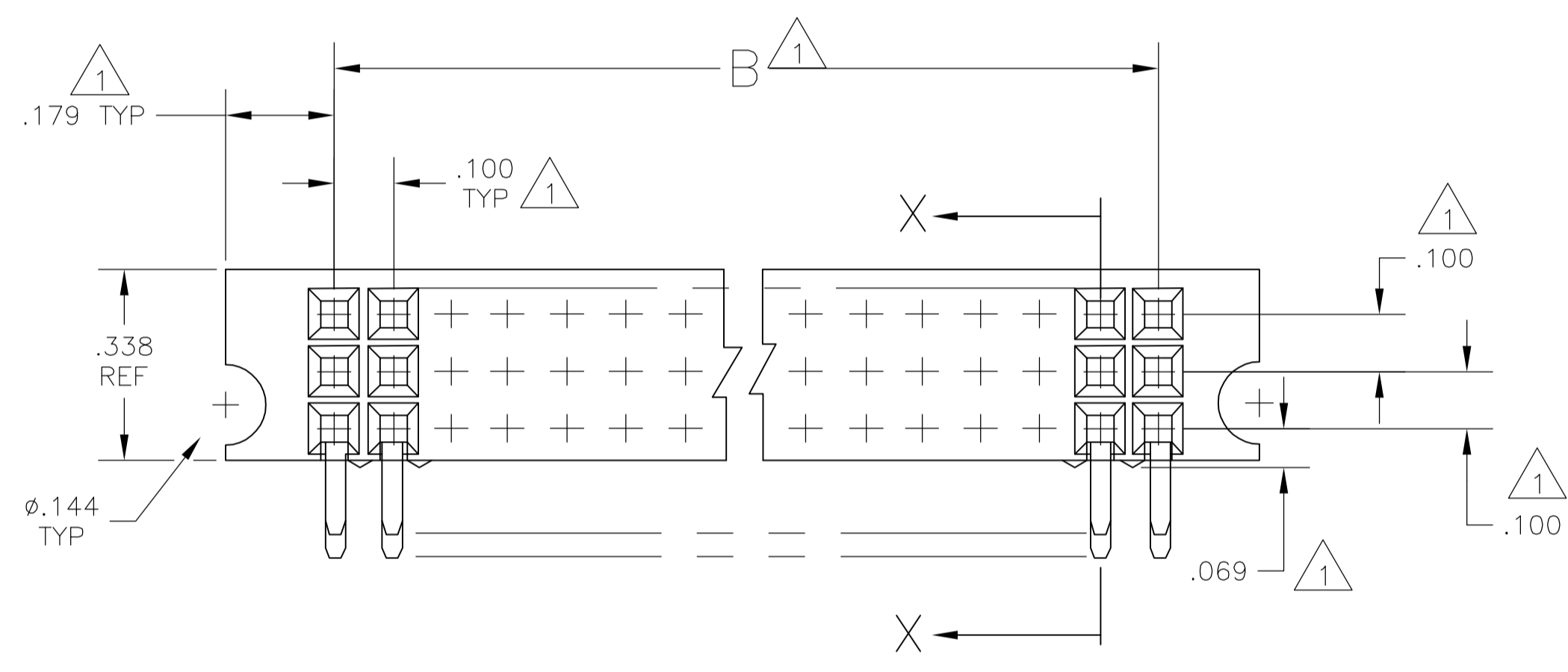
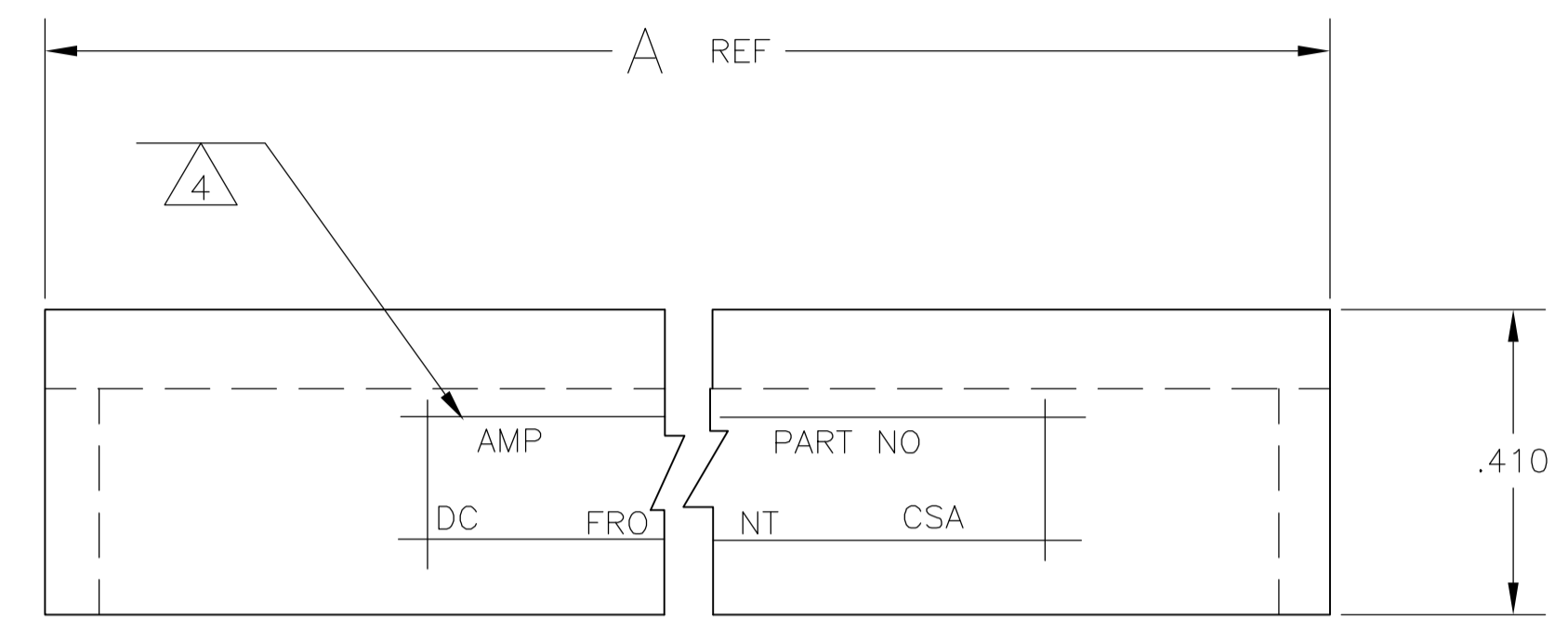
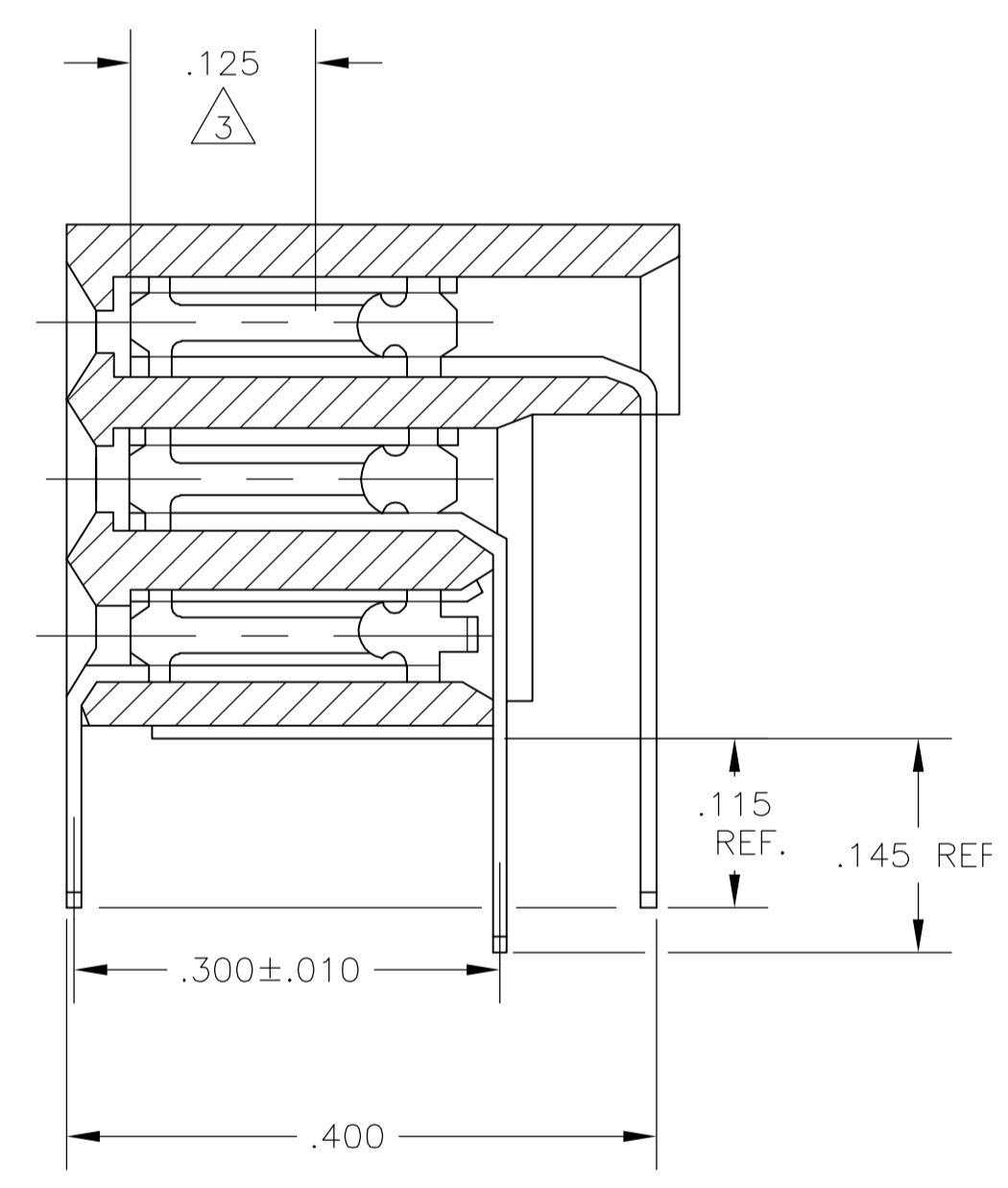


- 1 THESE DIMENSION PERTAIN TO CAVITY CENTRELINES--NOT TO CONTACT LOCATIONS.
- 2 TOLERANCE NON-CUMULATIVE
- 3 POINT OF MEASUREMENT FOR PLATING THICKNESS (MEASURED INSIDE CONTACT BEAMS).
- 4 "AMP", "PART NUMBER", "DATA CODE", THE WORD "FRONT" AND "CSA", MARKED WITH .062 HIGH CHARACTERS. 21 POS. AND SMALLER, FRONT IDENTIFIED WITH "↓" (ARROW)
- 5 HOUSING :POLYPHENYLENE SULFIDE GLASS FILLED.
- 6 CONTACT: PHOS.BRONZE
- 7 CONTACT:.00030 GOLD IN CONTACT AREA, .00050-.0010 BRIGHT TIN-LEAD ON SOLDER TINES, ALL OVER .000050 NICKEL.
- 8 OBSOLETE PART NUMBER
- 9 PRELIMINARY PART--NOT RELEASED FOR PRODUCTION.
- 10 CONTACT: .000030 GOLD IN CONTACT AREA, .000050-.000100 MATTE TIN ON SOLDER LEADS, ALL OVER .000050 NICKEL.
- 11 ROHS 2002/95/EC COMPLIANT.



RECOMMENDED P.C. BOARD LAYOUT



11	10	2.000	2.058	54	6-534974-8
11	10	1.900	1.958	51	6-534974-7
11	10	1.500	1.858	48	6-534974-6
11	10	1.400	1.758	45	6-534974-5
11	10	1.100	1.458	36	6-534974-4
11	10	1.300	1.658	42	6-534974-3
11	10	9.900	10.258	300	6-534974-2
11	10	6.900	7.258	210	6-534974-1
11	10	4.900	5.258	150	5-534974-8
11	10	3.100	3.458	96	5-534974-5
11	10	3.000	3.358	93	5-534974-4
11	10	2.300	2.658	72	5-534974-3
9	10	2.000	2.058	54	1-534974-8
9	10	1.900	1.958	51	1-534974-7
9	10	1.500	1.858	48	1-534974-6
9	10	1.400	1.758	45	1-534974-5
9	10	1.100	1.458	36	1-534974-4
9	10	1.300	1.658	42	1-534974-3
9	10	9.900	10.258	300	1-534974-2
9	10	6.900	7.258	210	1-534974-1
9	10	6.700	7.058	204	1-534974-0
9	10	6.400	6.758	195	1-534974-9
9	10	4.900	5.258	150	1-534974-8
9	10	4.900	5.258	150	1-534974-7
9	10	3.900	4.258	120	1-534974-6
9	10	3.400	3.758	105	1-534974-5
9	10	3.100	3.458	96	1-534974-4
9	10	3.000	3.358	93	1-534974-3
9	10	2.300	2.658	72	1-534974-2
9	10	1.900	2.258	60	1-534974-1
9	10	1.900	2.258	60	1-534974-0
9	10	1.258	1.258	30	1-534974-9
9	10	1.258	1.258	30	1-534974-8
9	10	1.258	1.258	30	1-534974-7
9	10	1.258	1.258	30	1-534974-6
9	10	1.258	1.258	30	1-534974-5
9	10	1.258	1.258	30	1-534974-4
9	10	1.258	1.258	30	1-534974-3
9	10	1.258	1.258	30	1-534974-2
9	10	1.258	1.258	30	1-534974-1
9	10	1.258	1.258	30	1-534974-0
9	10	1.258	1.258	30	1-534974-9
9	10	1.258	1.258	30	1-534974-8
9	10	1.258	1.258	30	1-534974-7
9	10	1.258	1.258	30	1-534974-6
9	10	1.258	1.258	30	1-534974-5
9	10	1.258	1.258	30	1-534974-4
9	10	1.258	1.258	30	1-534974-3
9	10	1.258	1.258	30	1-534974-2
9	10	1.258	1.258	30	1-534974-1
9	10	1.258	1.258	30	1-534974-0
9	10	1.258	1.258	30	1-534974-9
9	10	1.258	1.258	30	1-534974-8
9	10	1.258	1.258	30	1-534974-7
9	10	1.258	1.258	30	1-534974-6
9	10	1.258	1.258	30	1-534974-5
9	10	1.258	1.258	30	1-534974-4
9	10	1.258	1.258	30	1-534974-3
9	10	1.258	1.258	30	1-534974-2
9	10	1.258	1.258	30	1-534974-1
9	10	1.258	1.258	30	1-534974-0
9	10	1.258	1.258	30	1-534974-9
9	10	1.258	1.258	30	1-534974-8
9	10	1.258	1.258	30	1-534974-7
9	10	1.258	1.258	30	1-534974-6
9	10	1.258	1.258	30	1-534974-5
9	10	1.258	1.258	30	1-534974-4
9	10	1.258	1.258	30	1-534974-3
9	10	1.258	1.258	30	1-534974-2
9	10	1.258	1.258	30	1-534974-1
9	10	1.258	1.258	30	1-534974-0
9	10	1.258	1.258	30	1-534974-9
9	10	1.258	1.258	30	1-534974-8
9	10	1.258	1.258	30	1-534974-7
9	10	1.258	1.258	30	1-534974-6
9	10	1.258	1.258	30	1-534974-5
9	10	1.258	1.258	30	1-534974-4
9	10	1.258	1.258	30	1-534974-3
9	10	1.258	1.258	30	1-534974-2
9	10	1.258	1.258	30	1-534974-1
9	10	1.258	1.258	30	1-534974-0
9	10	1.258	1.258	30	1-534974-9
9	10	1.258	1.258	30	1-534974-8
9	10	1.258	1.258	30	1-534974-7
9	10	1.258	1.258	30	1-534974-6
9	10	1.258	1.258	30	1-534974-5
9	10	1.258	1.258	30	1-534974-4
9	10	1.258	1.258	30	1-534974-3
9	10	1.258	1.258	30	1-534974-2
9	10	1.258	1.258	30	1-534974-1
9	10	1.258	1.258	30	1-534974-0
9	10	1.258	1.258	30	1-534974-9
9	10	1.258	1.258	30	1-534974-8
9	10	1.258	1.258	30	1-534974-7
9	10	1.258	1.258	30	1-534974-6
9	10	1.258	1.258	30	1-534974-5
9	10	1.258	1.258	30	1-534974-4
9	10	1.258	1.258	30	1-534974-3
9	10	1.258	1.258	30	1-534974-2
9	10	1.258	1.258	30	1-534974-1
9	10	1.258	1.258	30	1-534974-0
9	10	1.258	1.258	30	1-534974-9
9	10	1.258	1.258	30	1-534974-8
9	10	1.258	1.258	30	1-534974-7
9	10	1.258	1.258	30	1-534974-6
9	10	1.258	1.258	30	1-534974-5
9	10	1.258	1.258	30	1-534974-4
9	10	1.258	1.258	30	1-534974-3
9	10	1.258	1.258	30	1-534974-2
9	10	1.258	1.258	30	1-534974-1
9	10	1.258	1.258	30	1-534974-0
9	10	1.258	1.258	30	1-534974-9
9	10	1.258	1.258	30	1-534974-8
9	10	1.258	1.258	30	1-534974-7
9	10	1.258	1.258	30	1-534974-6
9	10	1.258	1.258	30	1-534974-5
9	10	1.258	1.258	30	1-534974-4
9	10	1.258	1.258	30	1-534974-3
9	10	1.258	1.258	30	1-534974-2
9	10	1.258	1.258	30	1-534974-1
9	10	1.258	1.258	30	1-534974-0
9	10	1.258	1.258	30	1-534974-9
9	10	1.258	1.258	30	1-534974-8
9	10	1.258	1.258	30	1-534974-7
9	10	1.258	1.258	30	1-534974-6
9	10	1.258	1.258	30	1-534974-5
9	10	1.258	1.258	30	1-534974-4
9	10	1.258	1.258	30	1-534974-3
9	10	1.258	1.258	30	1-534974-2
9	10	1.258	1.258	30	1-534974-1
9	10	1.258	1.258	30	1-534974-0
9	10	1.258	1.258	30	1-534974-9
9	10	1.258	1.258	30	1-534974-8
9	10	1.258	1.258	30	1-534974-7
9	10	1.258	1.258	30	1-534974-6
9	10	1.258	1.258	30	1-534974-5
9	10	1.258	1.258	30	1-534974-4
9	10	1.258	1.258	30	1-534974-3
9	10	1.258	1.258	30	1-534974-2
9	10	1.258	1.258	30	1-534974-1
9	10	1.258	1.258	30	1-534974-0
9	10	1.258	1.258	30	1-534974-9
9	10	1.258	1.258	30	1-534974-8
9	10	1.258	1.258	30	1-534974-7
9	10	1.258	1.258	30	1-534974-6
9	10	1.258	1.258	30	1-534974-5
9	10	1.258	1.258	30	1-534974-4
9	10	1.258	1.258	30	1-534974-3
9	10	1.258	1.258	30	1-534974-2
9	10	1.258	1.258	30	1-534974-1
9	10	1.258	1.258	30	1-534974-0
9	10	1.258	1.258	30	1-534974-9
9	10	1.258	1.258	30	1-534974-8
9	10	1.258	1.258	30	1-534974-7
9	10	1.258	1.258	30	1-534974-6
9	10	1.258	1.258	30	1-534974-5
9	10	1.258	1.258	30	1-534974-4
9	10	1.258	1.258	30	1-534974-3
9	10	1.258	1.258	30	1-534974-2
9	10	1.258	1.258	30	1-534974-1
9	10	1.258	1.258	30	1-534974-0
9	10	1.258	1.258	30	1-534974-9
9	10	1.258	1.258	30	1-534974-8
9	10	1.258	1.258	30	1-534974-7
9	10	1.258	1.258	30	1-534974-6
9	10	1.258	1.258	30	1-534974-5
9	10	1.258	1.258	30	1-534974-4
9	10	1.258	1.258	30	1-534974-3
9	10	1.258	1.258	30	1-534974-2
9	10	1.258	1.258	30	1-534974-1
9	10	1.258	1.258	30	1-534974-0
9	10	1.258	1.258	30	1-534974-9
9	10	1.258	1.258	30	1-534974-8
9	10	1.258	1.258	30	1-534974-7
9	10	1.258	1.258	30	1-534974-6
9	10	1.258	1.258	30	1-534974-5
9	10	1.258	1.258	30	1-534974-4
9	10	1.258	1.258	30	1-534974-3
9	10	1.258	1.258	30	1-534974-2
9	10	1.258	1.258	30	1-534974-1
9	10	1.258	1.258	30	1-534974-0
9	10	1.258	1.258	30	1-534974-9
9	10	1.258	1.258	30	1-534974-8
9	10	1.258	1.258	30	1-534974-7
9	10	1.258	1.258	30	1-534974-6
9	10	1.258	1.258	30	1-534974-5
9	10	1.258	1.258		

X-ON Electronics

Largest Supplier of Electrical and Electronic Components

Click to view similar products for [Headers & Wire Housings](#) category:

Click to view products by [TE Connectivity](#) manufacturer:

Other Similar products are found below :

[95000-104TRLF](#) [10135584-644402LF](#) [DF62W-EP2022PCA](#) [95000-106TRLF](#) [DF62W-2022SCA](#) [DF62W-EP2022PC](#) [2203348](#) [DF62W-2022SC](#) [1084018](#) [1029039](#) [1084017](#) [802-10-012-10-002000](#) [1112640](#) [1112639](#) [891-007-9SS-BST1T](#) [000-34000](#) [0008550134](#) [0009482033](#) [0009507031](#) [57102-F02-18ULF](#) [57102-S06-03LF](#) [57202-S52-04LF](#) [PCN6-15S-2.5E](#) [0039019024](#) [58102-G61-06LF](#) [582553-1](#) [0009485154](#) [0009508121](#) [0022285053](#) [0050291907](#) [018731A](#) [LY20-4P-DT1-P1E-BR](#) [02.125.8002.8](#) [60101931](#) [60598-1 \(Cut Strip\)](#) [M1625-3R/100](#) [61062-3](#) [61082-181009](#) [CSU011177004](#) [636-1427](#) [638009-1](#) [641938-9](#) [641991-4](#) [644168-1](#) [644827-2](#) [647662-1](#) [65039-019ELF](#) [65692-001LF](#) [65781-018](#) [65781-047](#)