



| | |
|----------------------------------|--------------------------|
| DATA SHEET | 53801030 |
| SKINDICHT® JT PTFE metric | valid from: 15.1.2016 |

The SKINDICHT® JT PTFE metric sealing ring can be used for reliable sealing against oil, dust and water on the connecting thread of a cable gland or similar components. There is an extraordinary resistance against oil, water, acid, solvents and chemicals. Moreover, the sealing ring is physiologically harmless and can be used in foodstuffs sector.



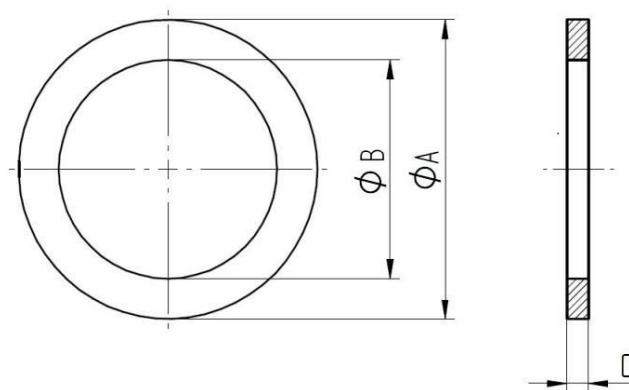
Technical features:

| | |
|-------------------|-----------------------|
| Material | PTFE |
| Sizes | M12 up to M63 |
| Colour | White |
| Temperature range | -200 °C up to +260 °C |

Norm references:



For more information please see our current catalogue.



| Article designation | Ø A [mm] | Ø B [mm] | C [mm] | Article No. |
|---------------------|----------|----------|--------|-------------|
| JT M12 | 16,6 | 12,1 | 2 | 53801030 |
| JT M16 | 21,1 | 16,1 | 2 | 53801040 |
| JT M20 | 27,5 | 20,1 | 2 | 53801050 |
| JT M25 | 33,4 | 25,1 | 3 | 53801060 |
| JT M32 | 40,3 | 32,1 | 3 | 53801070 |
| JT M40 | 51,5 | 40,2 | 3 | 53801080 |
| JT M50 | 61,6 | 50,2 | 3 | 53801090 |
| JT M63 | 73,9 | 63,2 | 3 | 53801100 |

| | | |
|------------------------------------|--------------------------|-------------|
| elaborated by: PDP: T. Dvoulety | Document: DB53801030_1EN | Page 1 of 1 |
|------------------------------------|--------------------------|-------------|

X-ON Electronics

Largest Supplier of Electrical and Electronic Components

Click to view similar products for [Electrical Enclosure Accessories](#) category:

Click to view products by [Lapp Kabel](#) manufacturer:

Other Similar products are found below :

[60121-06-028 C-325 Black](#) [71884-04-028 CM3-100 Black](#) [71884-18-028 LH43-200 Black](#) [71884-24-028 LH75-200 Black](#) [71885-01-028 CM6-150 Black](#) [72459-02-028 DM-3 BLACK](#) [81501-01-000 XPL, 9VB Black](#) [82402-01 PT-8 ALUM](#) [1335GSKT3](#) [14101FP-PK](#) [CB-1263-BT](#) [1611512-4](#) [HB-11498](#) [RC-7775](#) [HM BLACK PANEL](#) [61033-01-000](#) [115123-01-508 CN-RL RS](#) [115124-01-508 CN-XRL XRS](#) [115119-01-000 CN-RL RS](#) [115123-01-000 CN-RL RS](#) [60121-04-028 C-275 Black](#) [60128-01-072](#) [60222-01-028 CM6-225 Black](#) [60272-01-028 CM3-150 Black](#) [60851-01-028 CM69-120 Black](#) [62291-502-000-KEU-10-BLK](#) [62452-01-000 HML-9VB, EB Black](#) [71884-25-028 LH89-130 Black](#) [AXX2POSTBRCKT](#) [FUPMESK](#) [71884-23-028 LH75-130 Black](#) [1317GSKTSC](#) [8G813V40389](#) [DVA.1-10-15-M4-10-70](#) [DVC.1-60-49-60-M10-28-55](#) [DVC.1-15-8,5-15-M4-10-40](#) [DVC.1-20-12-30-M6-18-40](#) [DVC.1-30-18-25-M8-20-40](#) [DVC.1-35-31-15-M8-20-40](#) [DVC.1-35-31-15-M8-20-70](#) [DVC.1-75-60-40-M12-37-70](#) [DVC.2-30-22-20-M8-20-55](#) [DVC.2-40-30-25-M8-23-55](#) [DVC.2-75-60-40-M12-37-55](#) [DVC.2-21-16-22-M6-18-40](#) [DVC.2-40-20-48-M8-23-40](#) [DVC.2-40-32-50-M8-23-40](#) [DVC.2-20-14-19-M6-18-70](#) [DVC.2-25-18-20-M6-18-70](#) [DVC.3-20-14-20-M6-40](#) [DVC.3-20-14-30-M6-40](#)