

REVISION RECORD		
REV	DESCRIPTION	DRFT

NOTES :

MATERIAL

- 1.PLASTIC: NYLON UL 94V-0 COLOR:BLACK
- 2.COVER: STAINLESS STEEL
PLATING: UNDERPLATING ALL OVER CU 20u"Min, PLATING NICKEL 50-120u"
- 3.TERMINAL: PHOSPHOR BRONZE T=0.2±0.01mm;
PLATING GOLD 3u"ALL OVER
UNDERPLATING ALL OVER NICKEL 50u" Min.

ELECTRICAL CHARACTERISTICS

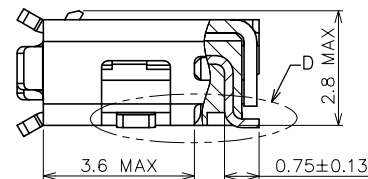
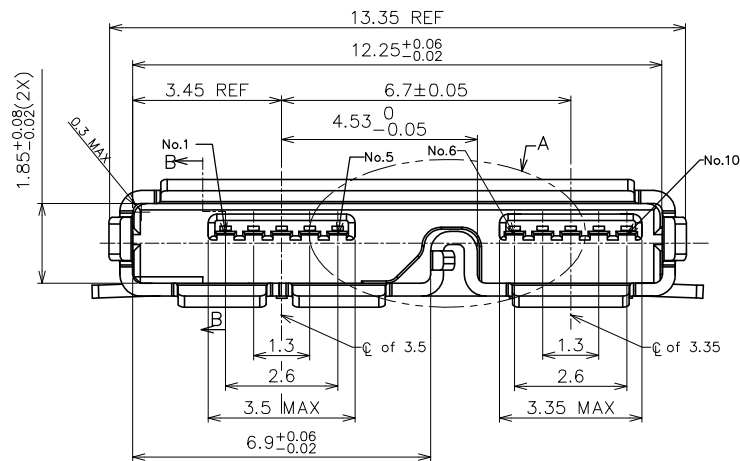
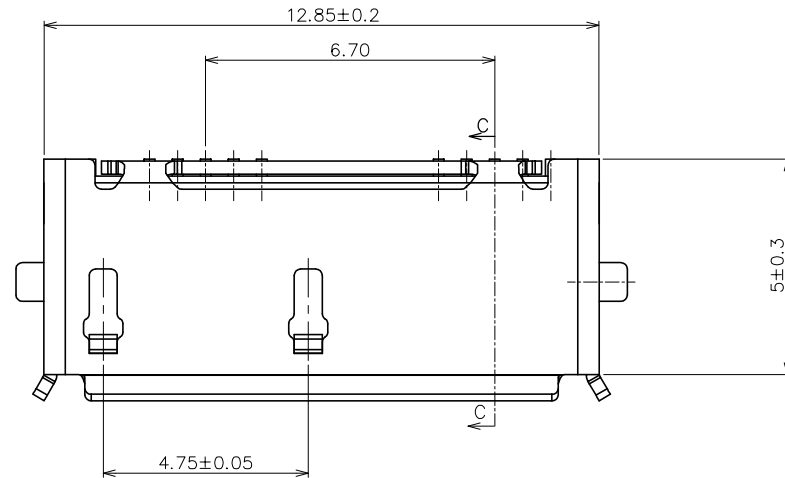
- 1.CURRENT RATING: 1.8A
- 2.CONTACT RESISTANCE: 30mΩMAX.
- 3.DIELECTRICAL WITHSTANDING: 100V AC/1min.
- 4.INSULATION RESISTANCE: 100MΩMin.

MECHANICAL CHARACTERISTICS

- 1.MATING FORCE: 3.57Kgf MAX(35N MAX).
- 2.UNMATING FORCE: 0.8Kgf Min(8N Min).
- 3.DURABILITY: 10000 CYCLES .

OTHERS:

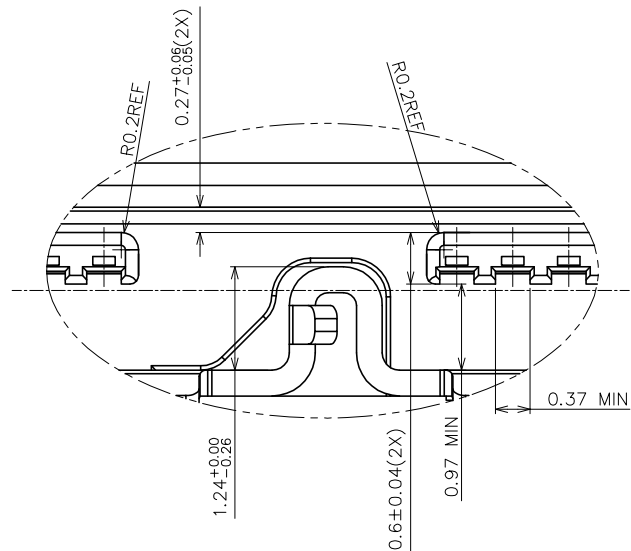
- 1.OPERATION TEMPERATURE: -20°cto+80°c



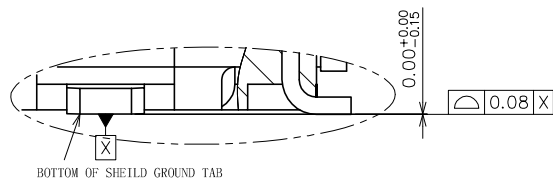
SECTION C-C

DETAILED VIEWS	MM (INCH)	DFTO Roy	DATE 11/20/2012		RoHS Compliant			
	TOLERANCES EXCEPT AS NOTED	CHKD	DATE					
	MM .00 ± 0.38 .00 ± 0.30 .00 ± 0.13 .000 ± 0.05	±	APPVL	DATE	TITLE USB 3.0 MICRO-AB RECEPTACLE			
	ANGLES ± 2°	±	MATERIAL :					
THIRD ANGLE PROJECTION	THIRD ANGLE PROJECTION	QTY :	FINISH :	DRAWING NO. E8110-001-01		SIZE A3	REV 01	
		SCALE : 1:1		/PART NO. E8110-001-01		DO NOT SCALE DRAWING		SHEET 1 OF 2

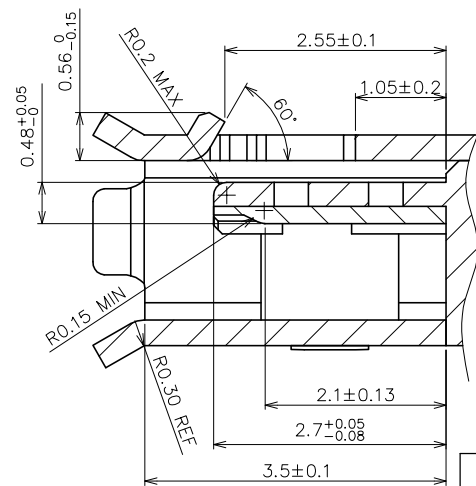
REVISION RECORD		
REV	DESCRIPTION	DRFT



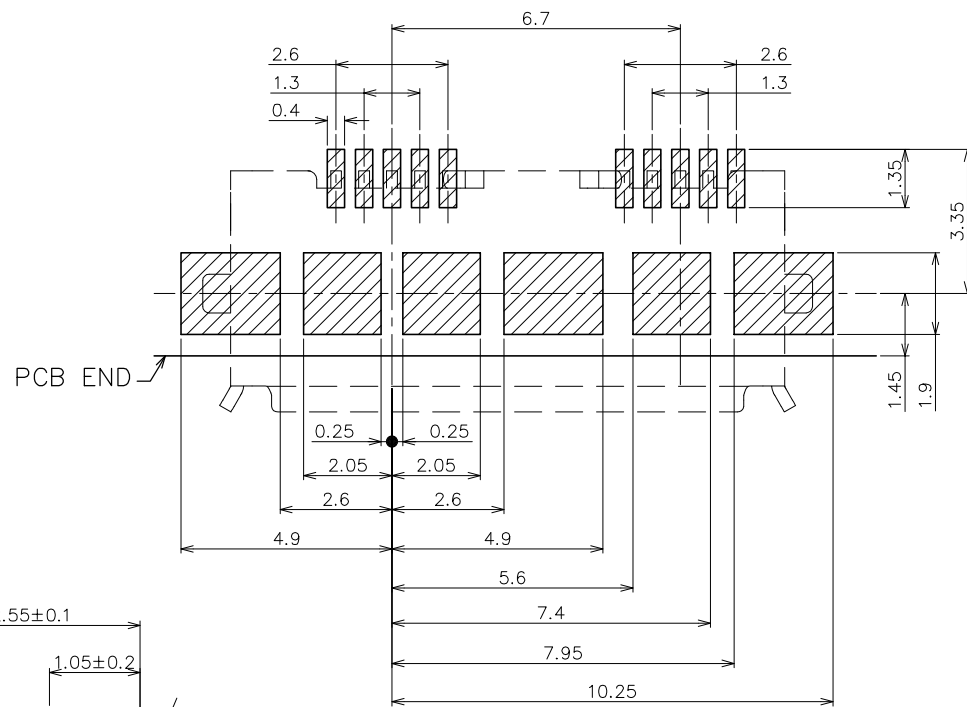
DETAIL A
SCALE 2:1



DETAIL D
SCALE 2:1



SECTION B-B
SCALE 2:1



RECOMMENDED PCB LAYOUT
TOP VIEW (TOLERANCE: ±0.05)

DETACHED LISTS	MM (INCH) TOLERANCES EXCEPT AS NOTED MM ± 0.38 .0 ± 0.30 ± .00 ± 0.13 ± .000 ± 0.05 ±		DFTO Roy	DATE 11/20/2012		RoHS Compliant		
	ANGLES ± 2° 		CHKD	DATE				
	THIRD ANGLE PROJECTION		APPVL	DATE	TITLE USB 3.0 MICRO-AB RECEPTACLE			
	QTY:		MATERIAL:		DRAWING NO. E8110-001-01		SIZE A3	REV 01
FINISH:		SCALE: 1:1		/PART NO. E8110-001-01		DO NOT SCALE DRAWING		
SHEET 2 OF 2		SHEET 2 OF 2		SHEET 2 OF 2				

H
G
F
E
D
C
B
A

X-ON Electronics

Largest Supplier of Electrical and Electronic Components

Click to view similar products for [USB Connectors](#) category:

Click to view products by [Pulse manufacturer](#):

Other Similar products are found below :

[10033527-N3112MLF](#) [17-210561](#) [GMCB05B11124H1EU](#) [17-200931](#) [65-647-8-BK-BU](#) [690-010-295-484](#) [73725-1191BLF](#) [950](#) [E8144-B01021-L](#) [A-USB A-LP-SMT-C](#) [A-USB B-TOP-C](#) [MUSBA511N5](#) [MUSBB15131](#) [MUSBC111M5](#) [MUSBD11135](#) [217450-1](#) [CA 6 W LD](#)
[896-30-004-00-000000](#) [KUSBVX-BS1N-W30](#) [KUSBX-AP-KIT-SCBLK](#) [KUSBX-AS2N-W](#) [KUSBX-SMT2AP1S-W](#) [KUSBX-SMTAS1NBTR](#) [KUSBX-SMTBS1NBTR](#) [30-498-6](#) [SK-60A-2](#) [17-200261](#) [17-210051](#) [1734082-1](#) [FK-37-32SL](#) [30-1574](#) [30-470](#) [30-489](#) [30-541](#) [30-572-3](#) [30-9503](#) [M9177/2-1](#) [MAB 5 S](#) [MIKROE-1451](#) [33UBBR-04SW11R](#) [USBFTV2PEM2G](#) [USBFTVC6ZN](#) [USBFTVSCCG](#)
[KUSBX-AS2N-W30](#) [KUSBX-SLAS1N-W](#) [KUSBX-SLAS1N-W30](#) [1-1734084-2](#) [E8110-001-01](#) [MUSBC11135](#) [NK-27-32SL](#)