



DATA SHEET	53801035
SKINDICHT® JT PTFE PG	valid from : 15.1.2016

The SKINDICHT® JT PTFE PG sealing ring used for reliable sealing against oil, dust and water on the connecting thread of a gland or similar components. There is an extraordinary resistance against oil, water, acid, solvents and chemicals. Moreover this sealing ring is physiologically harmless and can be used in foodstuffs sector.



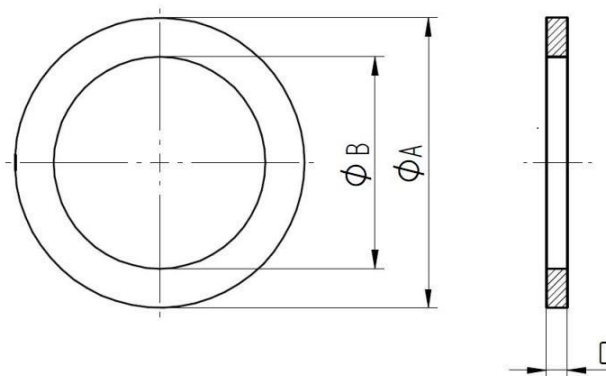
Technical features:

Material	PTFE
Sizes	PG7 up to PG48
Colour	White
Temperature range	-200 °C up to +260 °C

Norm references:



For more information please see our current catalogue.



Article designation	Ø A [mm]	Ø B [mm]	C [mm]	Article No.
JT 7	16,5	12,5	2	53801035
JT 9	19	15,2	2	53801045
JT 11	22,5	18,6	2	53801055
JT 13,5	25	20,4	2	53801065
JT 16	27	22,5	2	53801075
JT 21	33,5	28,3	3	53801085
JT 29	43,5	37	3	53801095
JT 36	55	47	3	53801105
JT 42	63	54	3	53801115
JT 48	69	59,3	3	53801125

elaborated by: PDP: T. Dvoulety	Document: DB53801035_2_EN	page 1 of 1
------------------------------------	---------------------------	-------------

X-ON Electronics

Largest Supplier of Electrical and Electronic Components

Click to view similar products for [Electrical Enclosure Accessories](#) category:

Click to view products by [Lapp Kabel](#) manufacturer:

Other Similar products are found below :

[60121-06-028 C-325 Black](#) [71884-04-028 CM3-100 Black](#) [71884-18-028 LH43-200 Black](#) [71884-24-028 LH75-200 Black](#) [71885-01-028 CM6-150 Black](#) [72459-02-028 DM-3 BLACK](#) [81501-01-000 XPL, 9VB Black](#) [82402-01 PT-8 ALUM](#) [1335GSKT3](#) [14101FP-PK](#) [CB-1263-BT](#) [1611512-4](#) [HB-11498](#) [RC-7775](#) [HM BLACK PANEL](#) [61033-01-000](#) [115123-01-508 CN-RL RS](#) [115124-01-508 CN-XRL XRS](#) [115119-01-000 CN-RL RS](#) [115123-01-000 CN-RL RS](#) [60121-04-028 C-275 Black](#) [60128-01-072](#) [60222-01-028 CM6-225 Black](#) [60272-01-028 CM3-150 Black](#) [60851-01-028 CM69-120 Black](#) [62291-502-000-KEU-10-BLK](#) [62452-01-000 HML-9VB, EB Black](#) [71884-25-028 LH89-130 Black](#) [AXX2POSTBRCKT](#) [FUPMESK](#) [71884-23-028 LH75-130 Black](#) [1317GSKTSC](#) [8G813V40389](#) [DVA.1-10-15-M4-10-70](#) [DVC.1-60-49-60-M10-28-55](#) [DVC.1-15-8,5-15-M4-10-40](#) [DVC.1-20-12-30-M6-18-40](#) [DVC.1-30-18-25-M8-20-40](#) [DVC.1-35-31-15-M8-20-40](#) [DVC.1-35-31-15-M8-20-70](#) [DVC.1-75-60-40-M12-37-70](#) [DVC.2-30-22-20-M8-20-55](#) [DVC.2-40-30-25-M8-23-55](#) [DVC.2-75-60-40-M12-37-55](#) [DVC.2-21-16-22-M6-18-40](#) [DVC.2-40-20-48-M8-23-40](#) [DVC.2-40-32-50-M8-23-40](#) [DVC.2-20-14-19-M6-18-70](#) [DVC.2-25-18-20-M6-18-70](#) [DVC.3-20-14-20-M6-40](#) [DVC.3-20-14-30-M6-40](#)