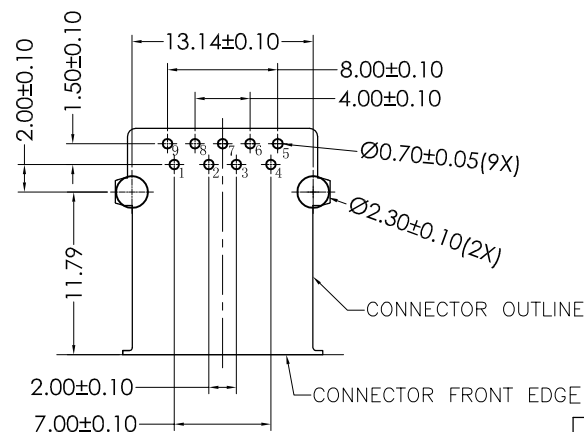
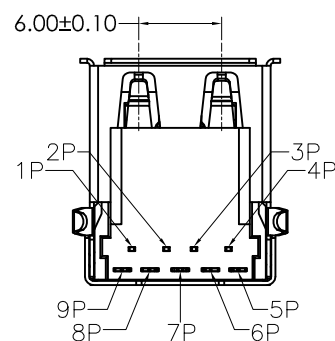
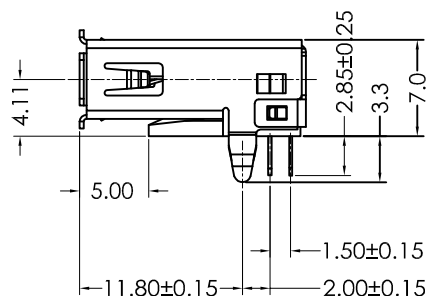
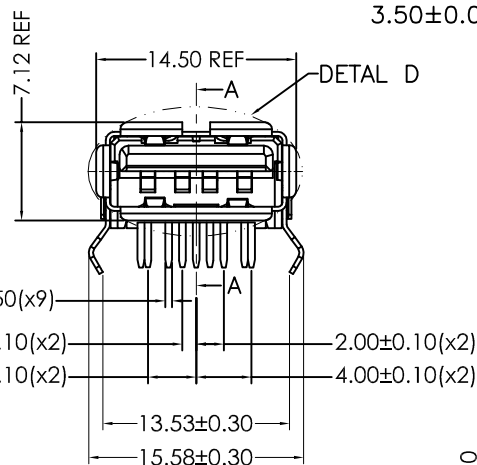
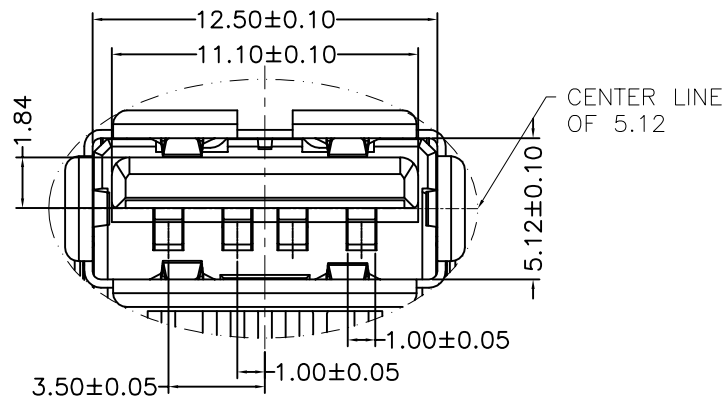
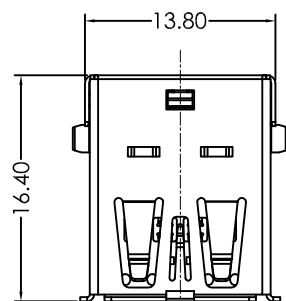


| REVISION RECORD | | |
|-----------------|-------------|------|
| REV | DESCRIPTION | DRFT |
| | | |



RECOMMENDED PCB LAYOUT
TOP VIEW (TOLERANCE: 1.6mm±0.05)

NOTES:

1. MATERIAL:

HOUSING&COVER:PA9T UL 94V-0 COLOR:BLUE300C;
FRONTSIELD: PHOSPHOR BRONZE,
PLATING NICKEL 50u"MIN OVER ALL.
REAR SHIELD: STEEL,PLATING NICKEL80u"MIN OVERALL.
4PIN CONTACT:PHOSPHOR BROZNE;
5PINCONTACT:BRASS
PLATING GOLD 2u"MIN ON CONTACT AREA,
PLATING MATTE TIN 80u"MIN ON SOLDER AREA
NICKEL 50u"MIN UNDERPLATING OVER ALL

2. CHARACTERISTICS:

CONTACT RESISTANCE:30mΩMAX.FOR Pin1&Pin4
50mΩMAX.FOR OTHER CONTACTS
INSULATION RESISTANCE:100M Ω Min.
DIELECTRICAL WITHSTANDING VOLTAGE:100 VAC .
MATING FORCE:3.57Kgf MAX(35N Max)
UNMATING FORCE:1.02Kgf Min(10N Min)
DURABILITY:1500 Cycles.

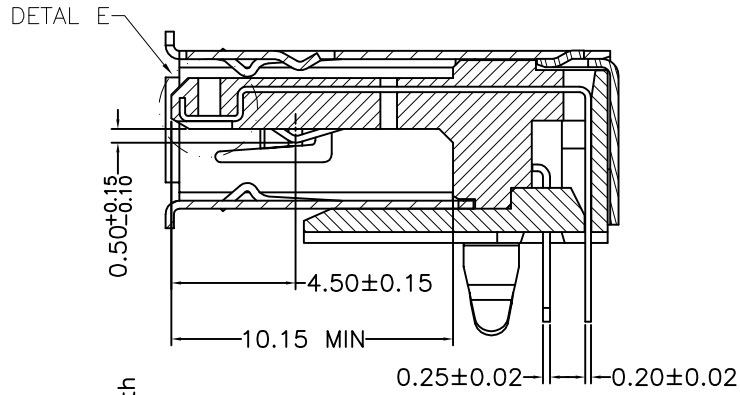
OTHERS:

OPERATION TEMPERATURE:-20°C to +80°C

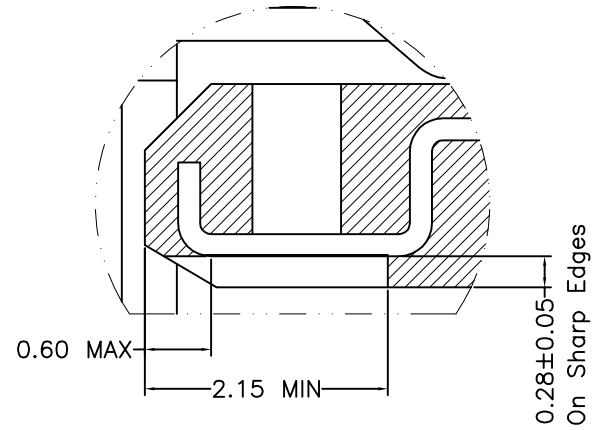
| | | | | |
|---|--|----------------------|--|---------------------|
| DELETED LIST ANGLES ± 2° THIRD ANGLE PROJECTION | DFTO: Roy DATE: 11/20/2012 | | RoHS Compliant | |
| | TOLERANCES EXCEPT AS NOTED MM ± 0.30 ° ± 0.20 Ø ± 0.10 .000 ± 0.05 | | | |
| | TITLE: USB 3.0 A TYPE RECEPTACLE | QTY: | DRAWING NO. E8199-001-01 /PART NO. E8199-001-01 | SIZE: A3 REV: 01 |
| | SCALE: 1:1 | DO NOT SCALE DRAWING | SHEET 1 OF 2 | |

H
G
F
E
D
C
B
A

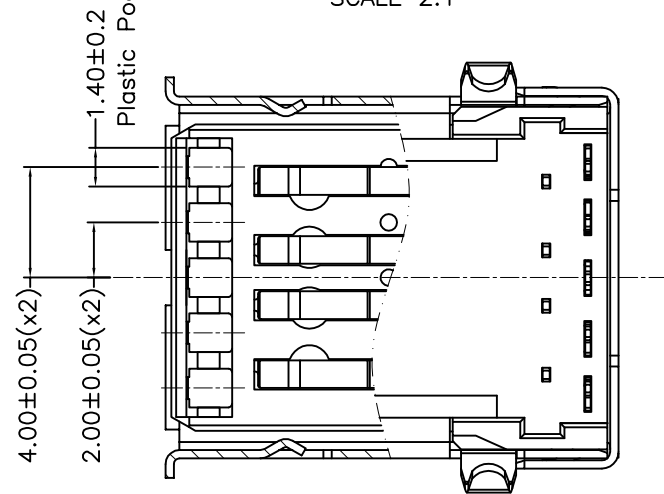
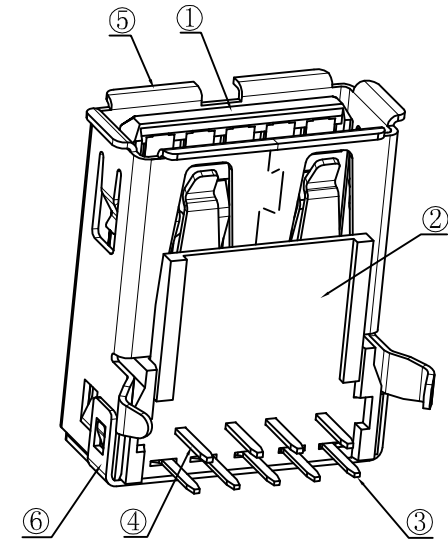
| REVISION RECORD | | |
|-----------------|-------------|------|
| REV | DESCRIPTION | DRFT |
| | | |



SECTION A-A
SCALE 2:1



DETAIL E
SCALE 8:1



BOTTOM VIEW

| | | | | | | |
|----------------|--|------------------------|------------------|----------------------|------------------------------------|--------------|
| DETACHED LISTS | | DFTO: Roy | DATE: 11/20/2012 | | RoHS Compliant | |
| | TOLERANCES EXCEPT AS NOTED | CHKD: | DATE: | | | |
| | MM ± 0.30 .0 ± 0.20 .00 ± 0.10 .000 ± 0.05 | ± | APPVL: | DATE: | TITLE USB 3.0 A TYPE RECEPTACLE | |
| | ANGLES ± 2° | ± | MATERIAL: | QTY: | | |
| | | THIRD ANGLE PROJECTION | FINISH: | SCALE: 1:1 | DRAWING NO. E8199-001-01 | SIZE A3 |
| | | | | DO NOT SCALE DRAWING | | SHEET 2 OF 2 |

X-ON Electronics

Largest Supplier of Electrical and Electronic Components

Click to view similar products for [Modular Connectors](#) / [Ethernet Connectors](#) category:

Click to view products by [Pulse manufacturer](#):

Other Similar products are found below :

[RJE231881317T](#) [MP1010RX-1000](#) [MP44RX-1000](#) [GAX-3-66](#) [GAX-8-62](#) [93606-0253](#) [GD-A-44](#) [GDCX-PA-66-50](#) [GDCX-PN-64](#) [GDCX-PN-66](#) [GDCX-PN-66-50](#) [GDLX-A-66](#) [GDLX-A-88](#) [GDLX-N-66](#) [GDLX-S-88K](#) [GDTX-S-88-50](#) [GDX-PA-1010](#) [GLX-N-1010M-BLK](#) [GLX-N-44M](#) [GLX-S-88M-BLK](#) [GMX-N-1010](#) [GMX-S-1010](#) [GMX-S-66](#) [GMX-SMT2-N-1010](#) [GMX-SMT2-N-64-50](#) [GMX-SMT2-S6-88](#) [GMX-SMT4-N-88](#) [GPX-2-64](#) [GRT1-BT1-5](#) [GSGX-N-2-88](#) [GSX-NS2-88-3.05](#) [GSX-NS2-88-3.05-50](#) [GSX-NS-88-3.05-30](#) [GSX-NS-88-3.05-50](#) [GSX-NS-88-3.68](#) [1-1775629-2](#) [GWLX-S-88-GR](#) [GWLX-S9-88-YG](#) [1300500326](#) [1300500227](#) [1300530003](#) [1300570002](#) [1324640-4](#) [RJ11FTVC2G](#) [RJ11FTVC2N](#) [RJFTVX2SA1G](#) [132764-001](#) [1400000](#) [1413176](#) [1413235](#)