

Ethernet MCU card with STM32F107VCT6 (100-pin TQFP)



Card information

The **Default MCU card** that comes with the EasyMx PRO™ v7 for STM32® package is shown on **Figure 1**. It contains **STM32F107VCT6** microcontroller with on-chip peripherals and is a great choice for both beginners and professionals. After testing and building the final program, this card can also be taken out of the board socket and used in your final device.

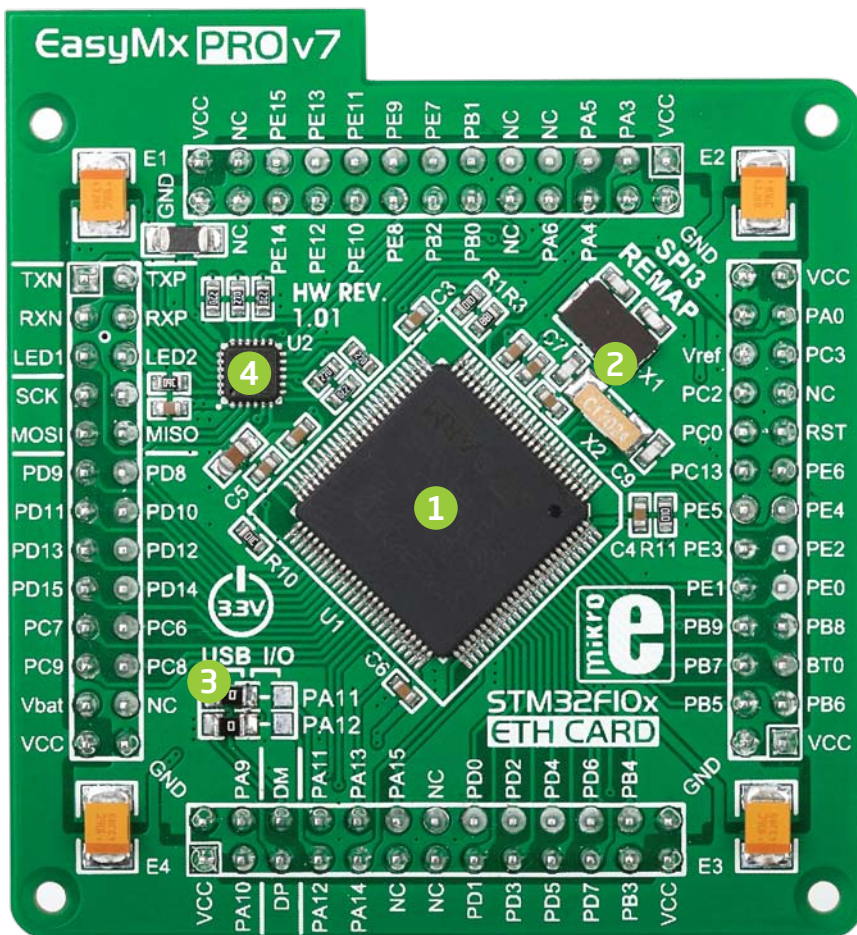


Figure 1: Default MCU card with STM32F107VCT6

- 1 **STM32F107VCT6** is the default chip of EasyMx PRO™ v7 for STM32®. It has **72MHz** frequency, **256K bytes** of Flash memory, **64K bytes** of general-purpose SRAM, integrated Ethernet controller, **USB 2.0** (OTG, Host, Device), 80 General purpose **I/O pins** (mappable on 16 external interrupt), 4x16-bit **timers**, 2x12-bit **A/D** (16 channels), 2x12-bit **D/A**, 5x**UARTs**, internal Real time clock (**RTC**), 2x**I2C**, 3x**SPI** and 2x**CAN** controllers.
- 2 **25MHz crystal oscillator**. We carefully chose the most convenient crystal value that provides clock frequency which can be used directly, or with the PLL multipliers to create higher MCU clock value. MCU card also contains 32.768 kHz crystal oscillator which provides external clock for RTCC module.
- 3 **USB communications lines**. These two jumpers, when in USB position, connect D+ and D- lines of the on-board USB connector with PA11 and PA12 microcontroller pins. Since **STM32F107VCT6** supports USB, jumpers are in USB position.
- 4 **Ethernet transceiver**. Default MCU card contains single-chip Ethernet physical (PHY) layer transceiver which provides additional Ethernet functionality to **STM32F107VCT6** controller

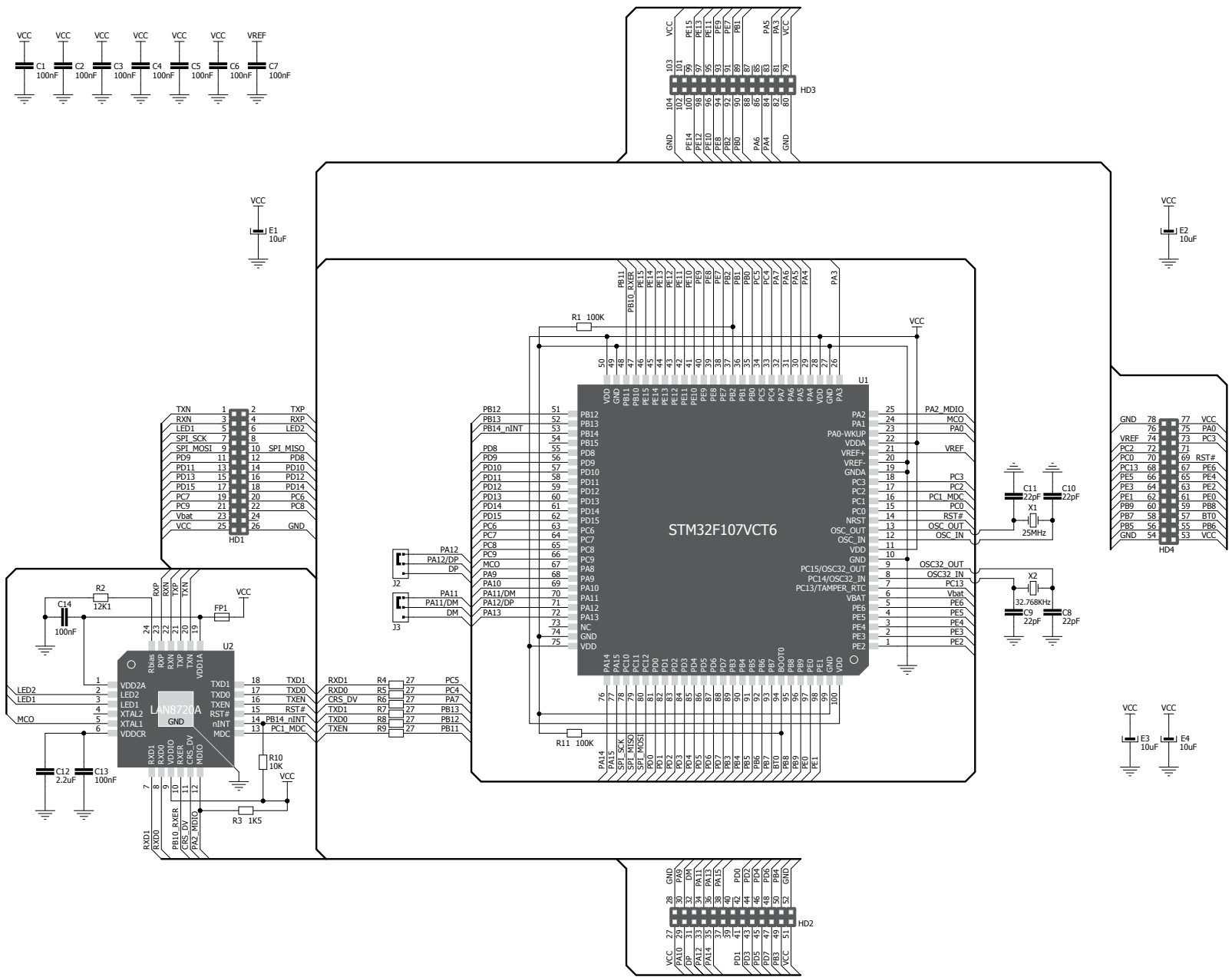


Figure 2: MCU card schematics

Card dimensions

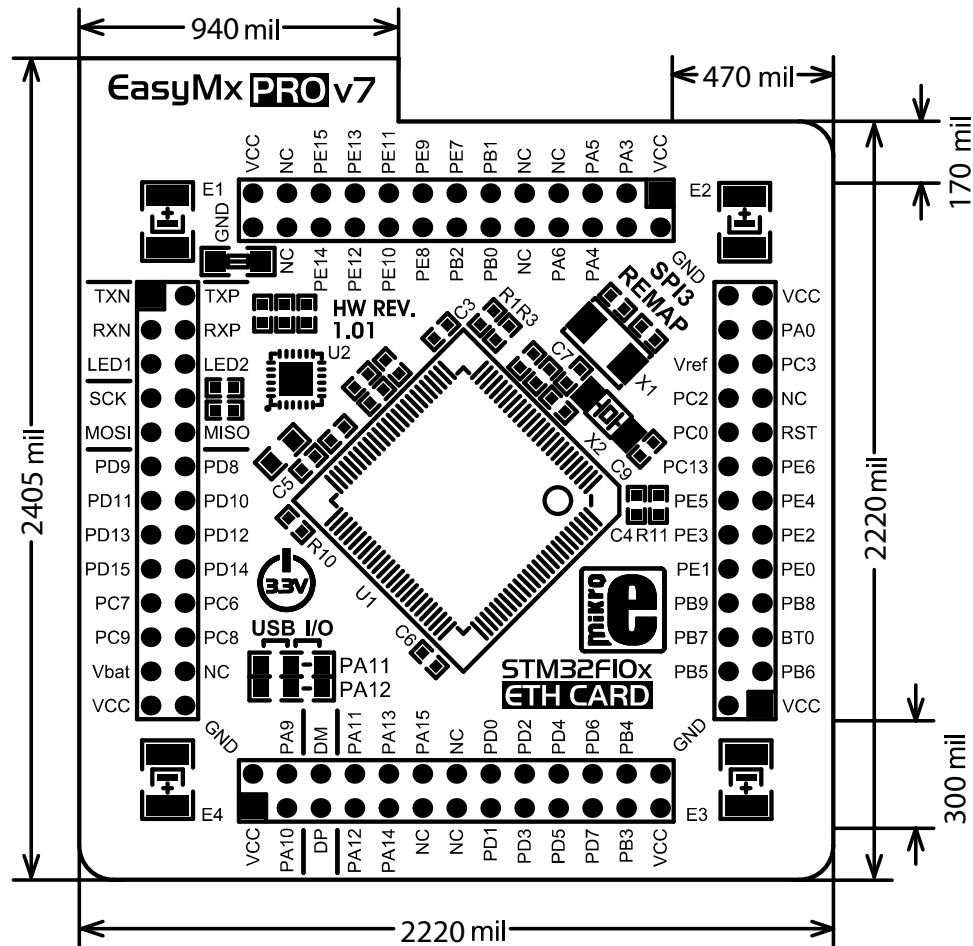
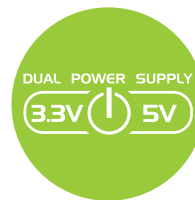
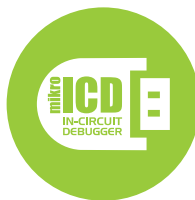


Figure 3: MCU card dimensions. Values are in mils.



If you want to learn more about our products, please visit our web site at www.mikroe.com

If you are experiencing some problems with any of our products or just need additional information, please place your ticket at www.mikroe.com/esupport

If you have any questions, comments or business proposals, do not hesitate to contact us at office@mikroe.com

X-ON Electronics

Largest Supplier of Electrical and Electronic Components

Click to view similar products for [Development Boards & Kits - Other Processors](#) category:

Click to view products by [MikroElektronika](#) manufacturer:

Other Similar products are found below :

[KIT_AURIX_TC233LP_TRB](#) [EVB-MEC1418MECC](#) [SPC56XVTOP-M](#) [ADZS-BF506F-EZLITE](#) [ADZS-SADA2-BRD](#) [20-101-1252](#)
[T1023RDB-PC](#) [20-101-1267](#) [T1042D4RDB-PA](#) [ML610Q174](#) [REFERENCE BOARD](#) [MPC574XG-MB](#) [BSC9132QDS](#) [C29XPCIE-RDB](#)
[KIT_TC1793_SK](#) [CC-ACC-18M433](#) [P1010RDB-PB](#) [P1020RDB-PD](#) [P2020COME-DS-PB](#) [STM8S/32-D/RAIS](#) [T4240RDB-PB](#) [TRK-USB-](#)
[MPC5604B](#) [TWR-56F8200](#) [CY3674](#) [SPC58XXADPT176S](#) [MAX1464EVKIT](#) [TRK-MPC5606B](#) [RTE510Y470TGB00000R](#) [STM8128-](#)
[MCKIT](#) [MAXQ622-KIT#](#) [YRPBRL78G11](#) [SPC58EEMU](#) [QB-R5F10JGC-TB](#) [YQB-R5F11BLE-TB](#) [SPC564A70AVB176](#)
[RTE5117GC0TGB00000R](#) [QB-R5F100LE-TB](#) [YR0K50571MS000BE](#) [YQB-R5F1057A-TB](#) [QB-R5F104PJ-TB](#) [CC-ACC-ETHMX](#)
[LFM34INTPQA](#) [SPC563M64A176S](#) [Y-BLDC-SK-RL78F14](#) [P1021RDB-PC](#) [SPC58XCADPT176S](#) [RTE510MPG0TGB00000R](#)
[YRPBRX71M](#) [LFMAJ04PLT](#) [KITAURIXTC234LPSTRBTOBO1](#) [OV-7604-C7-EVALUATION-BOARD](#)