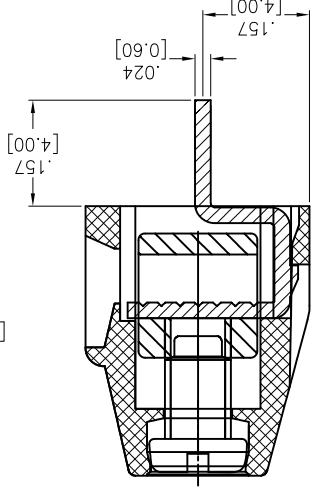
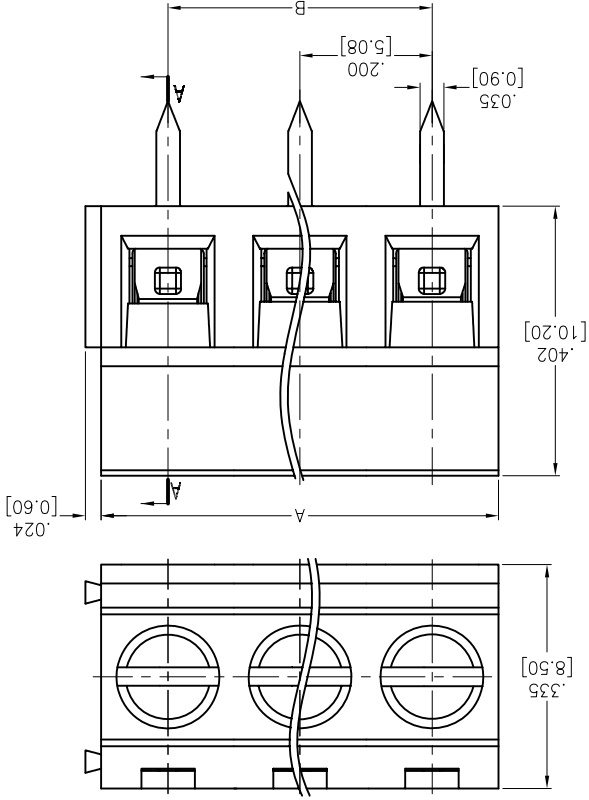
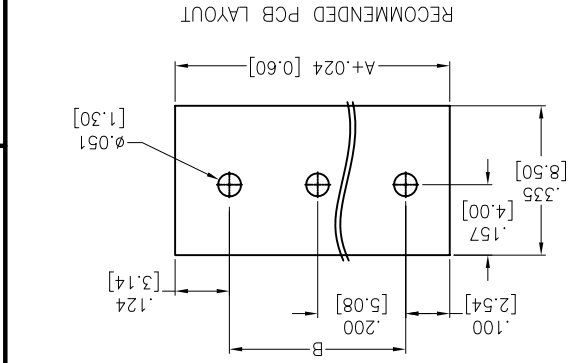


Rev	AWO #	Description	Date	Appr
A		REVISED SHAPE	6/26/14	AY/SY
-		RELEASED	1/17/14	

APPROVED: \_\_\_\_\_ DATE: \_\_\_\_\_  
 TITLE: \_\_\_\_\_



**SPECIFICATIONS:**

Material: PAB6, rated UL 94V-0  
 Insulator color: Green  
 Screw: M2.5, Steel, Zinc plated.  
 Contact: Brass, Tin plated.  
 Cage: Brass, Nickel plated.  
 Electrical:  
 Operation voltage: 300 VAC  
 Current rating: 8 Amps  
 Contact Resistance: 20 mohms max.  
 Insulation resistance: 500 Mohms min @DC 1000V  
 Dielectric withstanding voltage: 2000 VAC for 1 minut  
 Mechanical:  
 Torque: 0.4Nm(3.5lb-in)  
 Wire Range: 26-16 AWG 1.5mm<sup>2</sup>  
 Wire strip length: 6-7mm  
 Environmental:  
 Operating temperature: -40°C to +105°C  
 Lead free, RoHS compliant.



**ADAM TECH**  
 909 Rahway Avenue, Union, NJ 07083  
 Phone: 908-687-5000 Fax: 908-687-5710

UNLESS OTHERWISE SPECIFIED  
 ALL DIMENSIONS ARE INCHES [MM]  
 TOLERANCES: EXCEPT AS NOTED  
 INCHES: .10  $\phi$  .10  
 .XX  $\pm$  .020  $\phi$  .XX  $\pm$  .015  
 .XXX  $\pm$  .015  $\phi$  .XXX  $\pm$  .010  
 APPROVALS  
 DATE: 1/17/14  
 DRAWN: AY  
 CHECKED: SY  
 APPROVED: \_\_\_\_\_  
 REF: S00067C  
 SCALE: NTS  
 SHEET 1 OF 1

REV.	REV. A	SIZE	PART NO.	TITLE
X			EB21A-XX-D	EURO BLOCK, .200 [5.08] PITCH

Poles: 2 thru 24  
 A = .200 [5.08] X No. of Positions  
 B = .200 [5.08] X No. of Spaces

## X-ON Electronics

Largest Supplier of Electrical and Electronic Components

*Click to view similar products for [Pluggable Terminal Blocks](#) category:*

*Click to view products by [Adam](#) manufacturer:*

Other Similar products are found below :

[57.404.7553](#) [57.504.0053.7](#) [57.510.0053](#) [57.910.6153](#) [01.112.1453](#) [CTB932VE/6](#) [MC 1.5/ 6-ST-3.5 GY AU](#) [ET02015000J0G](#) [734-104](#) [734-302](#) [734-304](#) [8-141-P](#) [FKCT 2.5/ 3-ST KMGY](#) [860505](#) [860508](#) [860516](#) [860810](#) [861908](#) [GBPACX-12](#) [93.731.4953.0](#) [PV05-5,08-K](#) [PVP02-5,00](#) [PVP04-3,50](#) [PVS02-5,00](#) [1-1986160-3](#) [H-10](#) [1546228-5](#) [ELFH09150](#) [ELFH16150](#) [ELFP03110](#) [ELFT06250](#) [ELFT07250](#) [ELVF09400](#) [ELVP03100](#) [ELXH03100](#) [ELXH071G0E](#) [ELXP041G0](#) [ELXT046G0](#) [1700101](#) [1700410](#) [1700425](#) [1703176](#) [1705229](#) [1710175](#) [1714537](#) [1717806](#) [1719600](#) [1729386](#) [1734692](#) [1734795](#)