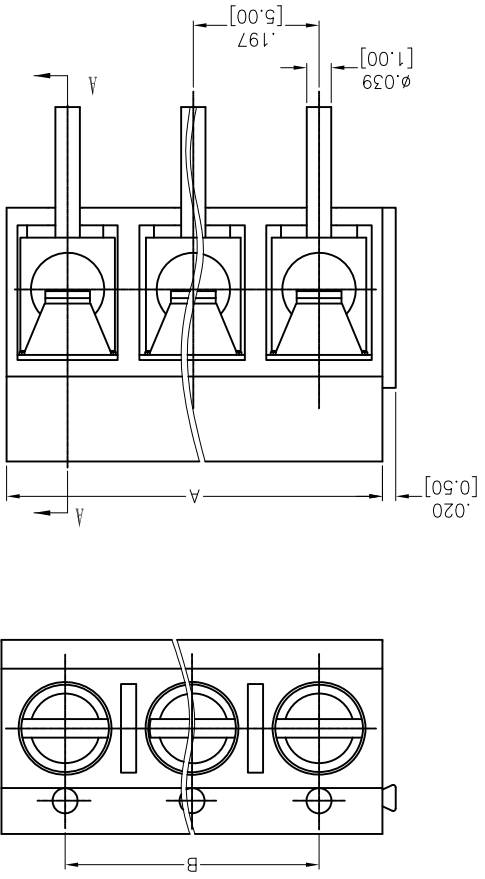
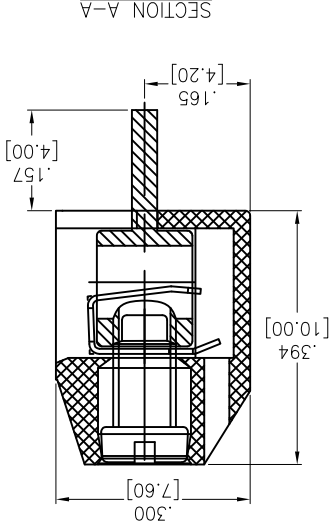
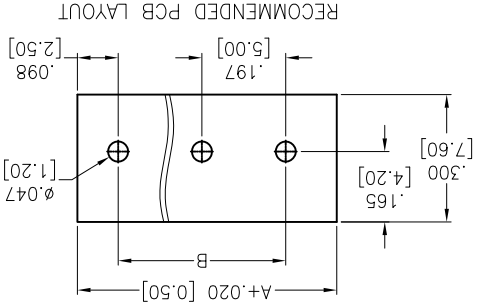


Rev	AWO #	Description	Date	Appr
-		RELEASED	9/29/14	

APPROVED: _____ DATE: _____
TITLE: _____



Positions: 2 thru 24
A = .197 [5.00] x No. of Positions
B = .197 [5.00] x No. of Spaces

UNLESS OTHERWISE SPECIFIED		APPROVALS	
ALL DIMENSIONS ARE INCHES [MM]	TOLERANCES: EXCEPT AS NOTED	DATE	DATE
INCHES	HOLES	X ± .10	9/29/14
ØX ± .10		XX ± .020	GC
ØXX ± .015		XXX ± .015	AY
ØXXX ± .010			9/29/14
TITLE	SIZE	CHECKED	APPROVED
EURO BLOCK, .197 [5.00] PITCH, SLOTTED SCREW	X	9/29/14	
Part NO.	REV		
EBBA-XX-C-SS-BU	-		
REF: S00067C	SCALE: NTS	SHEET 1 OF 1	

ADAM TECH
909 Rahway Avenue, Union, NJ 07083
Phone: 908-687-5000 Fax: 908-687-5710

SPECIFICATIONS:
Material: PBT, rated UL 94V-0
Insulator color: Blue
Screw: M2.5, Steel, Zinc plated.
Contact: Brass, Tin plated.
Shrapnel: Phosphor Bronze, Nickel plated
Electrical:
Operation voltage: 250 VAC Max
Current rating: 16 Amps Max
Contact resistance: 20 mohms max
Insulation resistance: 500 Mohms min @ 500 VDC
Withstanding voltage: 2,000 VAC for 1 minute
Mechanical:
Torque: 3.6lb-in, 0.4N-m
Wire Range: 22-14AWG, 1.5mm²
Strip Length: 6-7mm
Environmental:
Operating temperature: -40°C to +105°C
Lead free, RoHS compliant.



X-ON Electronics

Largest Supplier of Electrical and Electronic Components

Click to view similar products for [Pluggable Terminal Blocks](#) category:

Click to view products by [Adam](#) manufacturer:

Other Similar products are found below :

[57.404.7553](#) [57.504.0053.7](#) [57.510.0053](#) [57.910.6153](#) [01.112.1453](#) [CTB932VE/6](#) [MC 1.5/ 6-ST-3.5 GY AU](#) [ET02015000J0G](#) [734-104](#) [734-302](#) [734-304](#) [8-141-P](#) [FKCT 2.5/ 3-ST KMGY](#) [860505](#) [860508](#) [860516](#) [860810](#) [861908](#) [GBPACX-12](#) [93.731.4953.0](#) [PV05-5,08-K](#) [PVP02-5,00](#) [PVP04-3,50](#) [PVS02-5,00](#) [1-1986160-3](#) [H-10](#) [1546228-5](#) [ELFH09150](#) [ELFH16150](#) [ELFP03110](#) [ELFT06250](#) [ELFT07250](#) [ELVF09400](#) [ELVP03100](#) [ELXH03100](#) [ELXH071G0E](#) [ELXP041G0](#) [ELXT046G0](#) [1700101](#) [1700410](#) [1700425](#) [1703176](#) [1705229](#) [1710175](#) [1714537](#) [1717806](#) [1719600](#) [1729386](#) [1734692](#) [1734795](#)