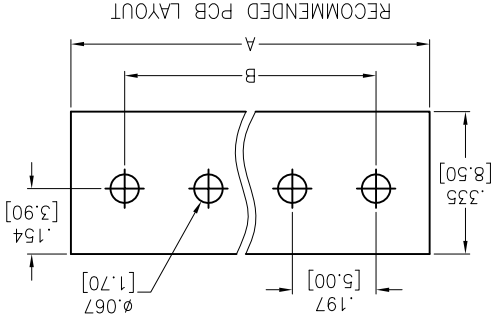
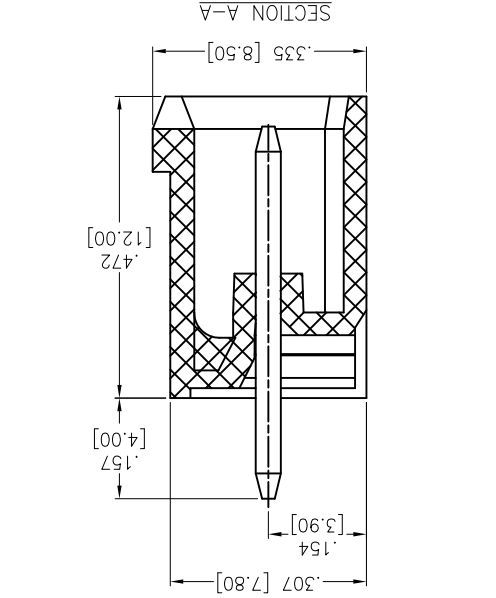
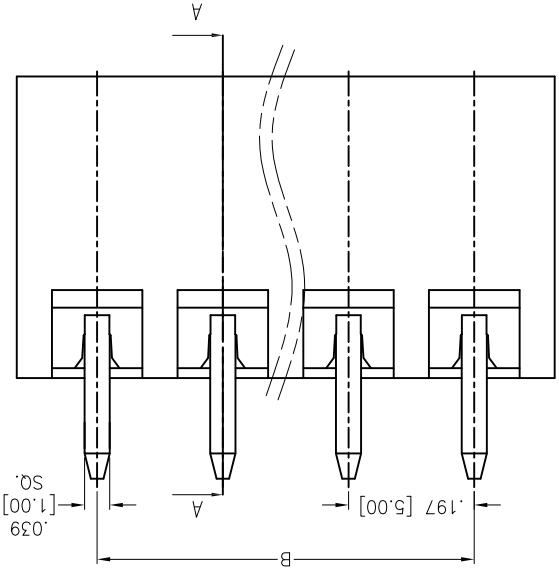


Rev	AWO #	Description	Date	Appr
-		RELEASED	11/24/14	

APPROVED: _____ DATE: _____
TITLE: _____



Positions: 02 thru 24
 $A = .197 [5.00] \times \text{No. of Positions} + .055 [1.40]$
 $B = .197 [5.00] \times \text{No. of Spaces}$

UNLESS OTHERWISE SPECIFIED		APPROVED	
ALL DIMENSIONS ARE MM [INCHES]		CHECKED	NP
TOLERANCES: EXCEPT AS NOTED		DRAWN	HR
INCHES		DATE	11/24/14
X ± .10	ØX ± .10	APPROVALS	
XX ± .020	ØXX ± .015	DATE	11/24/14
XXX ± .015	ØXXX ± .010	DATE	11/24/14
TITLE		SIZE	X
TERMINAL BLOCK, SOCKETS .197 [5.00] PITCH		PART NO.	EBPA-XX-C-C
909 Rahway Avenue, Union, NJ 07083		REV.	-
Phone: 908-687-5000 Fax: 908-687-5710		SCALE: NTS	
ADAM TECH		SHEET 1 OF 1	

SPECIFICATIONS:

Material: PA66, rated UL 94V-0
 Insulator color: Green
 Contact: Brass, Tin plated.
 Electrical:
 Operation voltage: 300 VAC max
 Current rating: 15 Amps
 Contact resistance: 20 mohms max
 Insulation resistance: 500 Mohms min @ 500 VDC
 Dielectric withstanding voltage: 2,000 VAC for 1 minute
 Temperature Rating:
 Operating temperature: -40°C to +105°C
 Environmental:
 Lead free, RoHS compliant.



X-ON Electronics

Largest Supplier of Electrical and Electronic Components

Click to view similar products for [Pluggable Terminal Blocks](#) category:

Click to view products by [Adam](#) manufacturer:

Other Similar products are found below :

[57.404.7553](#) [57.504.0053.7](#) [57.510.0053](#) [57.910.6153](#) [01.112.1453](#) [CTB932VE/6](#) [MC 1.5/ 6-ST-3.5 GY AU](#) [ET02015000J0G](#) [734-104](#) [734-302](#) [734-304](#) [8-141-P](#) [FKCT 2.5/ 3-ST KMGY](#) [860505](#) [860508](#) [860516](#) [860810](#) [861908](#) [GBPACX-12](#) [93.731.4953.0](#) [PV05-5,08-K](#) [PVP02-5,00](#) [PVP04-3,50](#) [PVS02-5,00](#) [1-1986160-3](#) [H-10](#) [1546228-5](#) [ELFH09150](#) [ELFH16150](#) [ELFP03110](#) [ELFT06250](#) [ELFT07250](#) [ELVF09400](#) [ELVP03100](#) [ELXH03100](#) [ELXH071G0E](#) [ELXP041G0](#) [ELXT046G0](#) [1700101](#) [1700410](#) [1700425](#) [1703176](#) [1705229](#) [1710175](#) [1714537](#) [1717806](#) [1719600](#) [1729386](#) [1734692](#) [1734795](#)