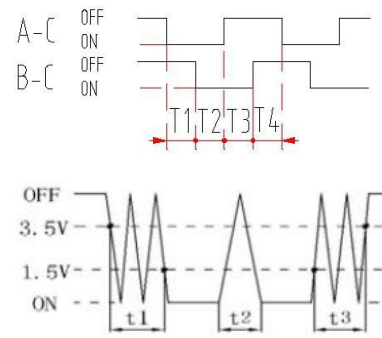
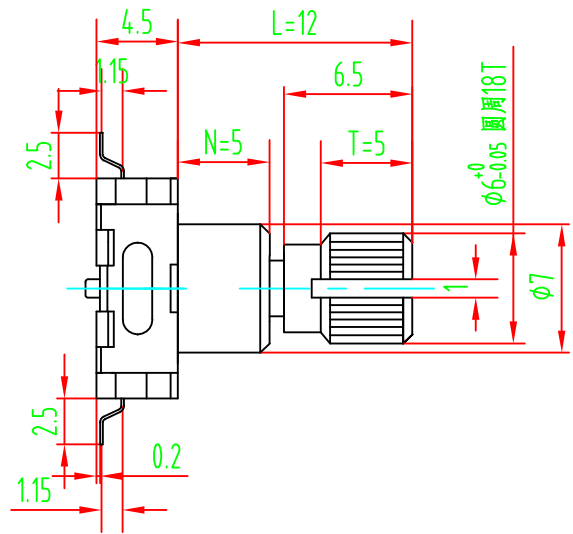
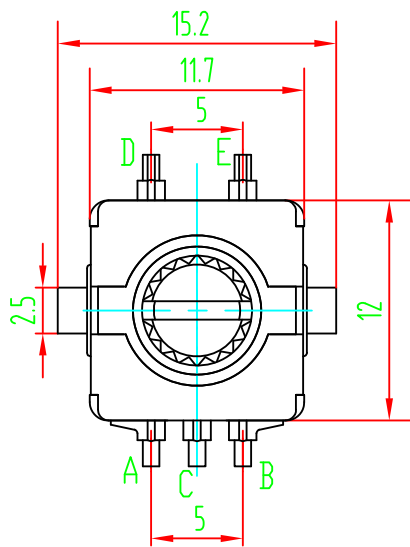


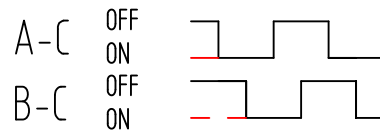
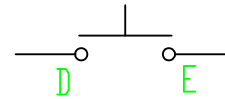
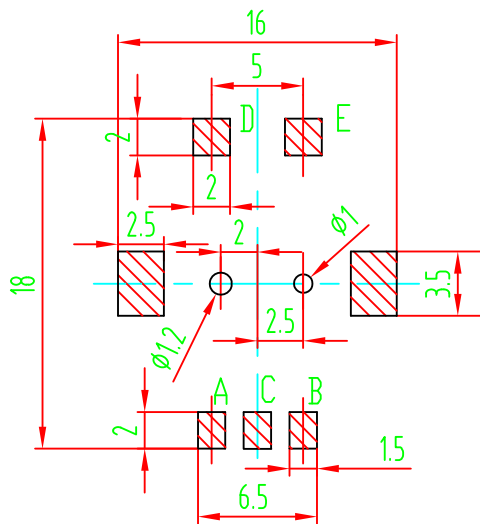
EC11 Series Specification

EC11J12-15P30C-SW	
Mechanical Characteristics	
ITEM	SPECIFICATION
Total Rotational Angle	360°
Rotational Torque	□ 20 ≈ 200gf.cm
Click pull-out Torque	□ 20 ≈ 150gf.cm
Shaft push-pull Strength	8.0kgf-10.0kgf Min at 8sec
Shaft Wobble Strength	0.7*L/30mm p-p Max L:shaft length
Number of Click	□ 20 clicks Step Angle:18° ±2° ■ 30 clicks Step Angle:12° ±2°
Bushing-nut tightening strength	7.0kgf.cm Min
Shaft rotational gap	0.4mm Max
Shaft play in rotational wobble	5° Max
Electrical Characteristics	
ITEM	SPECIFICATION
Power rated	DC 5V, A、B lead 5mA Max, C lead 10mA Max
Output signal	A、B 2 signals
Resolution	□ 20 pulses/360° ■ 15 pulses/360°
Contact resistance between pins	1 Ω Max
Phase difference	T1、T2、T3、T4 ≥ 0.08T
Rotation noise	t1, t3 ≤ 3mS t2 ≤ 2mS
Insulation resistance	100MΩ Min at DC 250V
Dielectric	1 minute at AC 300V
Endurance characteristics	
ITEM	SPECIFICATION
Rotational life	□ 30,000 ± 200 cycles ≤ 100gf.cm □ 15,000 ± 200 cycles ≥ 100gf.cm
Storage temperature range	-40°C ≈ +85°C
Operating temperature range	-30°C ≈ +80°C
Soldering characteristic	dipping in soldering ≤ 206°C ± 5°, within 3S solder by hand: ≤ 300°C ± 5°, within 3S





Mounting Hole



L	12				
L1	6.5				
T	5				
N	5				

2				5		
1				4		
	DATE	REVISION	APPROVED	3		
	2016.12.10	2016.12.10	2016.12.10	MODEL: EC11J12-15P30C-SW		
DWN	DHKD	APPD	SRPASSIVES			

X-ON Electronics

Largest Supplier of Electrical and Electronic Components

Click to view similar products for [Encoders](#) category:

Click to view products by [SR Passives](#) manufacturer:

Other Similar products are found below :

[6-1393048-5](#) [62AG22-H5-P](#) [62B22-LP-030C](#) [62D22-02-P](#) [62R22-01-040S](#) [63K25](#) [63K32](#) [63KS100](#) [63KS64](#) [63R100](#) [63R50-020](#) [63RS256-060](#) [700-09-36](#) [E6C2-CWZ6C-10 500P/R 5M](#) [E6C3-CWZ5GH 1000P/R 2M](#) [25LB22-G-Z](#) [T101-5C2-111-M1](#) [T101-5C3-111-M1](#) [T101-5C4-111-M1](#) [25LB45-Q-Z](#) [HEDS-8905](#) [385001M0439](#) [385001M0216](#) [DPL12SV2424A25K3](#) [E69-1](#) [E69-DF15](#) [E69-FBA-02](#) [E69-FCA](#) [E6B2-CWZ1X 2000P/R 0.5M](#) [E6B2-CWZ3E 600P/R 0.5M](#) [E6C3-CWZ3EH 800P/R 2M](#) [ENA1D-472-L00050L](#) [61S64-2](#) [62B11-LP-100S](#) [62B11-LPP-P](#) [62C1111-02-020C](#) [62N11-P](#) [62S22-H9-120S](#) [62S30-L0-200C](#) [62V15-02-080S](#) [62V22-02-030C](#) [632911-128](#) [63K64](#) [63KS100-040](#) [63R64-050](#) [63RS256](#) [63RS64](#) [700-16-16](#) [3-1393048-1](#) [63KS128](#)