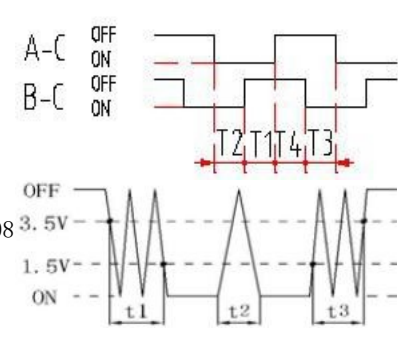
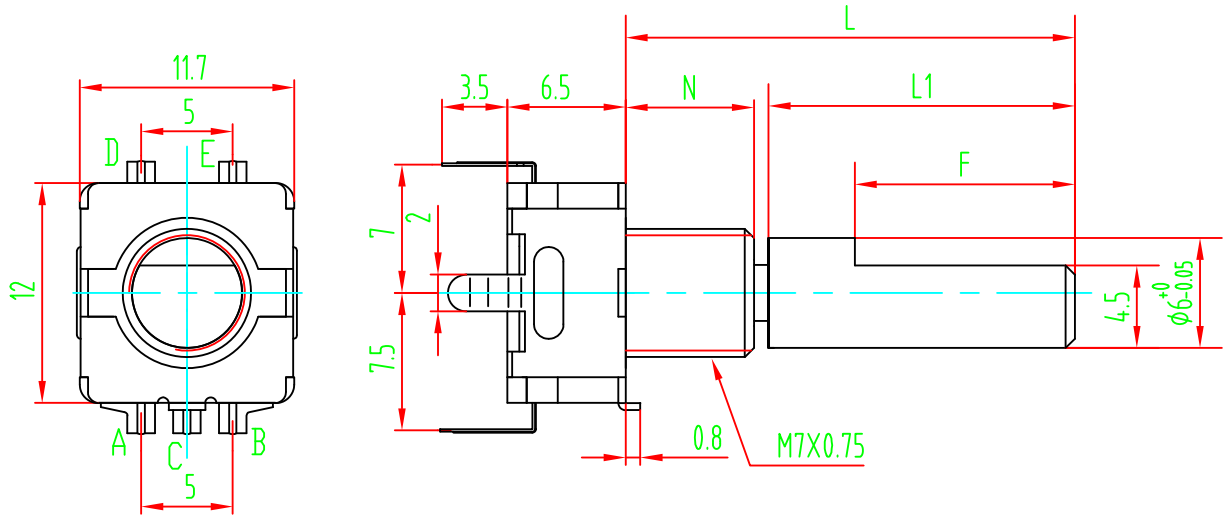


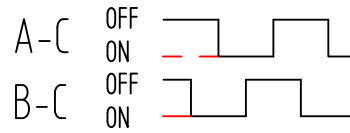
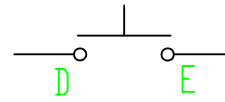
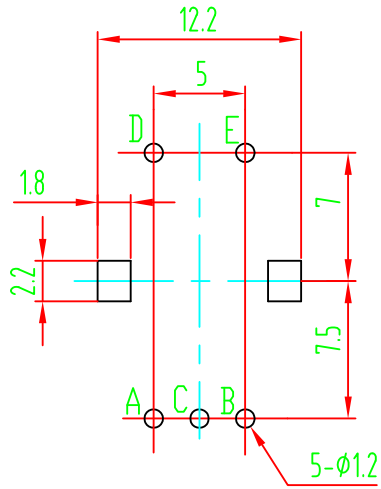
EC11 Series Specification

| | |
|---------------------------------|---|
| EC11E20-20P20C-SW | |
| Mechanical Characteristics | |
| ITEM | SPECIFICATION |
| Total Rotational Angle | 360° |
| Rotational Torque | <input type="checkbox"/> 20 ≈ 200gf.cm |
| Click pull-out Torque | <input type="checkbox"/> 20 ≈ 150gf.cm |
| Shaft push-pull Strength | 8.0kgf-8.0kgf Min at 8sec |
| Shaft Wobble Strength | 0.7xL/30 mm P-P max L:shaft length |
| Number of Click | <input checked="" type="checkbox"/> 20 clicks Step Angle:18° ±2° <input type="checkbox"/> 30 clicks Step Angle:12° ±2° |
| Bushing-nut tightening strength | 7.0kgf.cm Min |
| Shaft rotational gap | 0.4mm Max |
| Shaft play in rotational wobble | 5° Max |
| Electrical Characteristics | |
| ITEM | SPECIFICATION |
| Power rated | DC 5V, A、B lead 5mA Max, C lead 10mA Max |
| Output signal | A、B 2 signals |
| Resolution | <input checked="" type="checkbox"/> 20 pulses/360° <input type="checkbox"/> 15 pulses/360° |
| Contact resistance between pins | 1 Ω Max |
| Phase difference | T1、T2、T3、T4 ≥ 0.08 |
| Rotation noise | t1, t3 ≤ 3mS t2 ≤ 2mS |
| Insulation resistance | 100MΩ Min at DC 250V |
| Dielectric | 1 minute at AC 300V |
| Endurance characteristics | |
| ITEM | SPECIFICATION |
| Rotational life | <input type="checkbox"/> 30,000 ± 200 cycles ≤ 100gf.cm <input type="checkbox"/> 15,000 ± 200 cycles ≥ 100gf.cm |
| Storage temperature range | -40°C ≈ +85°C |
| Operating temperature range | -30°C ≈ +80°C |
| Soldering characteristic | dipping in soldering ≤ 206°C ± 5°, within 3S solder by hand: ≤ 300°C ± 5°, within 3S |





Mounting Hole



| | | | |
|----|-----|-----------------|------|
| L | 15 | 20 | 23.5 |
| L1 | 7.5 | 12.5 | 16 |
| F | 7 | 10 | 12 |
| N | 7 | 7 | 7 |

| | | | | | | | |
|------------|------------|------------|--------------------------|---|--|--|--|
| 2 | | | | 5 | | | |
| 1 | | | | 4 | | | |
| | DATE | REVISION | APPROVED | 3 | | | |
| 2016.12.10 | 2016.12.10 | 2016.12.10 | MODEL: EC11E20-20P20C-SW | | | | |
| DWN | DHKD | APPD | | | | | |

X-ON Electronics

Largest Supplier of Electrical and Electronic Components

Click to view similar products for [Encoders](#) category:

Click to view products by [SR Passives](#) manufacturer:

Other Similar products are found below :

[6-1393048-5](#) [62AG22-H5-P](#) [62B22-LP-030C](#) [62D22-02-P](#) [62R22-01-040S](#) [63K25](#) [63K32](#) [63KS100](#) [63KS64](#) [63R100](#) [63R50-020](#) [63RS256-060](#) [700-09-36](#) [E6C2-CWZ6C-10 500P/R 5M](#) [E6C3-CWZ5GH 1000P/R 2M](#) [25LB22-G-Z](#) [T101-5C2-111-M1](#) [T101-5C3-111-M1](#) [T101-5C4-111-M1](#) [25LB45-Q-Z](#) [HEDS-8905](#) [385001M0439](#) [385001M0216](#) [DPL12SV2424A25K3](#) [E69-1](#) [E69-DF15](#) [E69-FBA-02](#) [E69-FCA](#) [E6B2-CWZ1X 2000P/R 0.5M](#) [E6B2-CWZ3E 600P/R 0.5M](#) [E6C3-CWZ3EH 800P/R 2M](#) [ENA1D-472-L00050L](#) [61S64-2](#) [62B11-LP-100S](#) [62B11-LPP-P](#) [62C1111-02-020C](#) [62N11-P](#) [62S22-H9-120S](#) [62S30-L0-200C](#) [62V15-02-080S](#) [62V22-02-030C](#) [632911-128](#) [63K64](#) [63KS100-040](#) [63R64-050](#) [63RS256](#) [63RS64](#) [700-16-16](#) [3-1393048-1](#) [63KS128](#)