

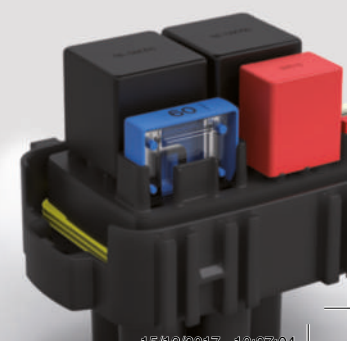
ITALY  
 BRAZIL  
 POLAND  
 SLOVAKIA  
 USA  
 INDIA  
 CHINA  
 MEXICO  
 MOROCCO

[www.mta.it](http://www.mta.it)

PRODUCT CATALOGUE

# PRODUCT CATALOGUE

## 2018



Ref. 9951220



2018



A norma della legge sul diritto d'autore e del codice civile, è tassativamente vietata la riproduzione di questo catalogo o parte di esso, con qualsiasi metodo elettronico, meccanico, per mezzo di fotocopie, microfilm, registrazioni o altro. I diritti sono riservati per tutti i paesi.

According to the copyright and the civil law, the reproduction of this catalogue, or any part of this one, by electronic, mechanical methods, by means of photocopies, microfilms, recordings or other, is peremptorily forbidden. Rights are reserved for all countries.

Disegni, caratteristiche e codifiche, possono essere soggetti a modifiche e variazioni. Al fine di un miglioramento tecnologico e qualitativo, MTA S.p.A. si riserva la facoltà di effettuare cambiamenti senza nessun preavviso.

Drawings, specifications and reference numbers may be modified and changed. MTA S.p.A. reserves itself the right, to make changes for technical or quality improvements, without any notice.

I prodotti di questo catalogo sono destinati ad uso industriale e professionale e devono essere installati e manovrati da persone qualificate.

The products in this catalogue are intended for industrial and professional use and must be installed and operated by qualified personnel.

L'acquirente è tenuto ad informare l'utilizzatore finale dei rischi connessi al loro errato utilizzo (es. folgorazione, scoppio ecc). Il venditore deve tenersi esonerato da qualsiasi uso improprio e/o derivante anche e non solo da omessa e/o insufficiente informazione relativa ai prodotti di cui sopra ed al loro uso.

The buyer is obliged to inform the end user of the risks associated with the misuse of the products (e.g. electric shock, explosion, etc.). The seller shall be held exempt from any use that is improper and/or arising also and not only from omitted and/or insufficient information relating to the above products and their use.



Per conoscere i distributori di MTA nel mondo potete consultare il sito [www.mta.it](http://www.mta.it)

To know MTA agents and distributors in the world please go to [www.mta.it](http://www.mta.it)



# INDEX

|                            |     |
|----------------------------|-----|
| FUSES                      | 3   |
| POWER DISTRIBUTION UNITS   | 25  |
| MAIN DISTRIBUTION UNITS    | 38  |
| FUSE/RELAY HOLDERS         | 61  |
| ADAPTERS & FIXING PLATES   | 82  |
| CONNECTORS                 | 87  |
| BATTERY TERMINALS          | 118 |
| TERMINALS                  | 128 |
| INSULATED TERMINALS        | 168 |
| CRIMPING TOOLS             | 179 |
| CAPS                       | 183 |
| RADIATOR/OIL/GASOLINE CAPS | 188 |
| SENSORS                    | 193 |
| CABLES                     | 197 |
| CABLES FIXING              | 203 |
| SWITCHES                   | 206 |
| SUNDRIES                   | 209 |







# FUSES

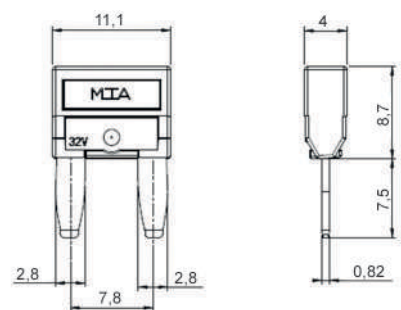




# MINIVAL®



| AMP  | DESCRIPTION | COLOUR  | P/N BLISTER | M.O.Q. | P/N BOX | M.O.Q. | P/N BULK | M.O.Q. |
|------|-------------|---------|-------------|--------|---------|--------|----------|--------|
| 2A   | MINIVAL     | Grey    | 0600090     | 500    | 0700090 | 200    | 0705090  | 5000   |
| 3A   | MINIVAL     | Violet  | 0600100     | 500    | 0700100 | 200    | 0705100  | 5000   |
| 4A   | MINIVAL     | Pink    | 0600101     | 500    | 0700101 | 200    | 0705101  | 5000   |
| 5A   | MINIVAL     | Beige   | 0600110     | 500    | 0700110 | 200    | 0705110  | 5000   |
| 7,5A | MINIVAL     | Brown   | 0600120     | 500    | 0700120 | 200    | 0705120  | 5000   |
| 10A  | MINIVAL     | Red     | 0600130     | 500    | 0700130 | 200    | 0705130  | 5000   |
| 15A  | MINIVAL     | Blue    | 0600140     | 500    | 0700140 | 200    | 0705140  | 5000   |
| 20A  | MINIVAL     | Yellow  | 0600150     | 500    | 0700150 | 200    | 0705150  | 5000   |
| 25A  | MINIVAL     | Natural | 0600160     | 500    | 0700160 | 200    | 0705160  | 5000   |
| 30A  | MINIVAL     | Green   | 0600170     | 500    | 0700170 | 200    | 0705170  | 5000   |





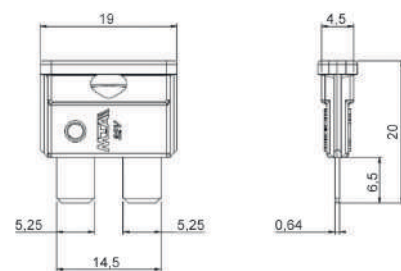
FUSES



UNIVAL®



| AMP  | DESCRIPTION | COLOUR  | P/N BLISTER | M.O.Q. | P/N BOX | M.O.Q. | P/N BULK | M.O.Q. | P/N BULK | M.O.Q. |
|------|-------------|---------|-------------|--------|---------|--------|----------|--------|----------|--------|
| 1A   | UNIVAL      | Black   |             |        | 0600380 | 100    | 0700380  | 2000   |          |        |
| 2A   | UNIVAL      | Grey    |             |        | 0600390 | 100    | 0700390  | 2000   |          |        |
| 3A   | UNIVAL      | Violet  |             |        | 0600400 | 1000   | 0700300  | 2000   | 0710300  | 6000   |
| 4A   | UNIVAL      | Pink    |             |        | 0600401 | 1000   | 0700301  | 2000   |          |        |
| 5A   | UNIVAL      | Beige   | 0600492     | 200    | 0600410 | 1000   | 0700310  | 2000   | 0710310  | 6000   |
| 7,5A | UNIVAL      | Brown   | 0600493     | 200    | 0600420 | 1000   | 0700320  | 2000   | 0710320  | 6000   |
| 10A  | UNIVAL      | Red     | 0600494     | 200    | 0600430 | 1000   | 0700330  | 2000   | 0710330  | 6000   |
| 15A  | UNIVAL      | Blue    | 0600495     | 200    | 0600440 | 1000   | 0700340  | 2000   | 0710340  | 6000   |
| 20A  | UNIVAL      | Yellow  | 0600496     | 200    | 0600450 | 1000   | 0700350  | 2000   | 0710350  | 6000   |
| 25A  | UNIVAL      | Natural | 0600497     | 200    | 0600460 | 1000   | 0700360  | 2000   | 0710360  | 6000   |
| 30A  | UNIVAL      | Green   | 0600498     | 200    | 0600470 | 1000   | 0700370  | 2000   | 0710370  | 6000   |
| 40A  | UNIVAL      | Orange  |             |        | 0600375 | 1000   | 0700375  | 2000   | 0710375  | 6000   |

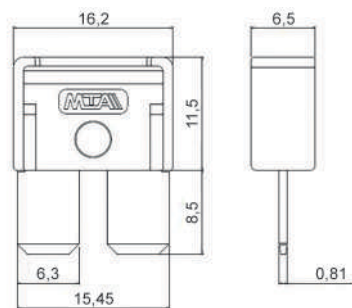




# MAXICOMPACT®



| AMP | DESCRIPTION | COLOUR      | P/N BOX | M.Q.Q. | P/N BULK | M.Q.Q. |
|-----|-------------|-------------|---------|--------|----------|--------|
| 25A | MAXICOMPACT | White       | 0602925 | 100    | 0702925  | 2000   |
| 30A | MAXICOMPACT | Light Green | 0602930 | 100    | 0702930  | 2000   |
| 35A | MAXICOMPACT | Dark Green  | 0602935 | 100    | 0702935  | 2000   |
| 40A | MAXICOMPACT | Orange      | 0602940 | 100    | 0702940  | 2000   |
| 50A | MAXICOMPACT | Red         | 0602950 | 100    | 0702950  | 2000   |
| 60A | MAXICOMPACT | Blue        | 0602960 | 100    | 0702960  | 2000   |







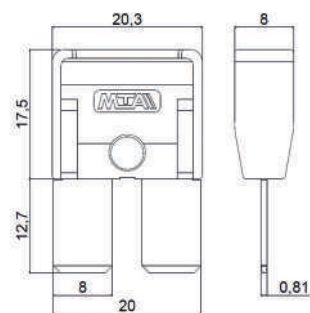
FUSES



# M8COMPACT®



| AMP | DESCRIPTION | COLOUR      |  | P/N BOX | M.Q.Q. | P/N BULK | M.Q.Q. |
|-----|-------------|-------------|--|---------|--------|----------|--------|
| 30A | M8COMPACT   | Light Green |  | 0610030 | 150    | 0710030  | 1000   |
| 35A | M8COMPACT   | Green       |  | 0610035 | 150    | 0710035  | 1000   |
| 40A | M8COMPACT   | Orange      |  | 0610040 | 150    | 0710040  | 1000   |
| 50A | M8COMPACT   | Red         |  | 0610050 | 150    | 0710050  | 1000   |
| 60A | M8COMPACT   | Blue        |  | 0610060 | 150    | 0710060  | 1000   |
| 70A | M8COMPACT   | Brown       |  | 0610070 | 150    | 0710070  | 1000   |
| 80A | M8COMPACT   | Black       |  | 0610080 | 150    | 0710080  | 1000   |

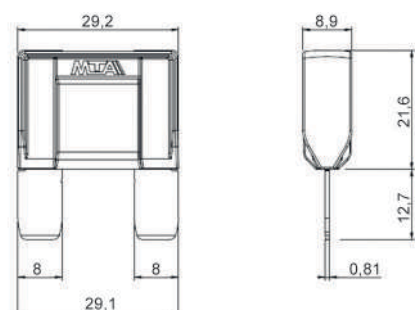




# MAXIVAL®



| AMP  | DESCRIPTION | COLOUR  | P/N BOX | M.Q.Q. | P/N BULK | M.Q.Q. |
|------|-------------|---------|---------|--------|----------|--------|
| 20A  | MAXIVAL     | Yellow  | 0600900 | 100    | 0700900  | 1000   |
| 30A  | MAXIVAL     | Green   | 0600910 | 100    | 0700910  | 1000   |
| 40A  | MAXIVAL     | Orange  | 0600920 | 100    | 0700920  | 1000   |
| 50A  | MAXIVAL     | Red     | 0600930 | 100    | 0700930  | 1000   |
| 60A  | MAXIVAL     | Blue    | 0600940 | 100    | 0700940  | 1000   |
| 70A  | MAXIVAL     | Beige   | 0600950 | 100    | 0700950  | 1000   |
| 80A  | MAXIVAL     | Natural | 0600960 | 100    | 0700960  | 1000   |
| 100A | MAXIVAL     | Violet  | 0600970 | 100    | 0700970  | 1000   |





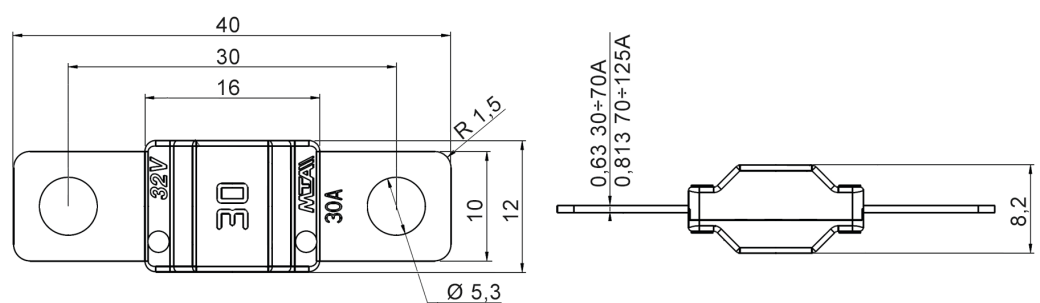
FUSES



# MIDIVAL®



| AMP  | DESCRIPTION | COLOUR | P/N BLISTER | M.O.Q. | P/N BULK | M.O.Q. |
|------|-------------|--------|-------------|--------|----------|--------|
| 30A  | MIDIVAL     | Orange | 0602030     | 20     | 0702030  | 1000   |
| 40A  | MIDIVAL     | Green  | 0602040     | 20     | 0702040  | 1000   |
| 50A  | MIDIVAL     | Red    | 0602050     | 20     | 0702050  | 1000   |
| 60A  | MIDIVAL     | Yellow | 0602060     | 20     | 0702060  | 1000   |
| 70A  | MIDIVAL     | Brown  | 0602070     | 20     | 0702070  | 1000   |
| 80A  | MIDIVAL     | White  | 0602080     | 20     | 0702080  | 1000   |
| 100A | MIDIVAL     | Blue   | 0602100     | 20     | 0702100  | 1000   |
| 125A | MIDIVAL     | Pink   | 0602125     | 20     | 0702125  | 1000   |

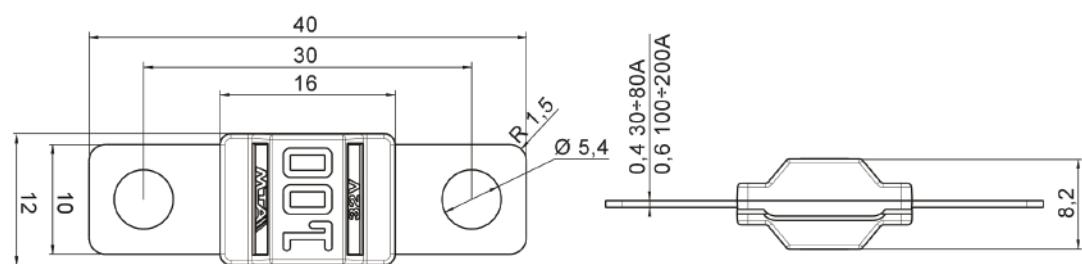




# MIDIVAL® CU



| AMP  | DESCRIPTION | COLOUR.     |  | P/N BOX | M.Q.Q. | P/N BULK | M.Q.Q. |
|------|-------------|-------------|--|---------|--------|----------|--------|
| 30A  | Cu MIDIVAL  | Orange      |  | 0608030 | 20     | 0708030  | 1500   |
| 40A  | Cu MIDIVAL  | Green       |  | 0608040 | 20     | 0708040  | 1500   |
| 50A  | Cu MIDIVAL  | Red         |  | 0608050 | 20     | 0708050  | 1500   |
| 60A  | Cu MIDIVAL  | Yellow      |  | 0608060 | 20     | 0708060  | 1500   |
| 70A  | Cu MIDIVAL  | Brown       |  | 0608070 | 20     | 0708070  | 1500   |
| 80A  | Cu MIDIVAL  | White       |  | 0608080 | 20     | 0708080  | 1500   |
| 100A | Cu MIDIVAL  | Blue        |  | 0608100 | 20     | 0708100  | 1500   |
| 125A | Cu MIDIVAL  | Pink        |  | 0608125 | 20     | 0708125  | 1500   |
| 150A | Cu MIDIVAL  | Grey        |  | 0608150 | 20     | 0708150  | 1500   |
| 175A | Cu MIDIVAL  | Light Brown |  | 0608175 | 20     | 0708175  | 1500   |
| 200A | Cu MIDIVAL  | Violet      |  | 0608200 | 20     | 0708200  | 1500   |





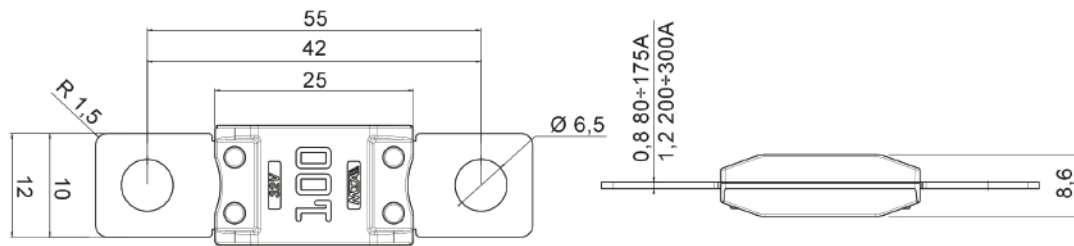
FUSES



# MEGACOMPACT®



| AMP  | DESCRIPTION | COLOUR | P/N BOX | M.Q.Q. | P/N BULK | M.Q.Q. |
|------|-------------|--------|---------|--------|----------|--------|
| 80A  | MEGACOMPACT | Red    | 0615080 | 20     | 0715080  | 700    |
| 100A | MEGACOMPACT | Yellow | 0615100 | 20     | 0715100  | 700    |
| 125A | MEGACOMPACT | Green  | 0615125 | 20     | 0715125  | 700    |
| 150A | MEGACOMPACT | Orange | 0615150 | 20     | 0715150  | 700    |
| 175A | MEGACOMPACT | White  | 0615175 | 20     | 0715175  | 700    |
| 200A | MEGACOMPACT | Blue   | 0615200 | 20     | 0715200  | 700    |
| 225A | MEGACOMPACT | Beige  | 0615225 | 20     | 0715225  | 700    |
| 250A | MEGACOMPACT | Pink   | 0615250 | 20     | 0715250  | 700    |

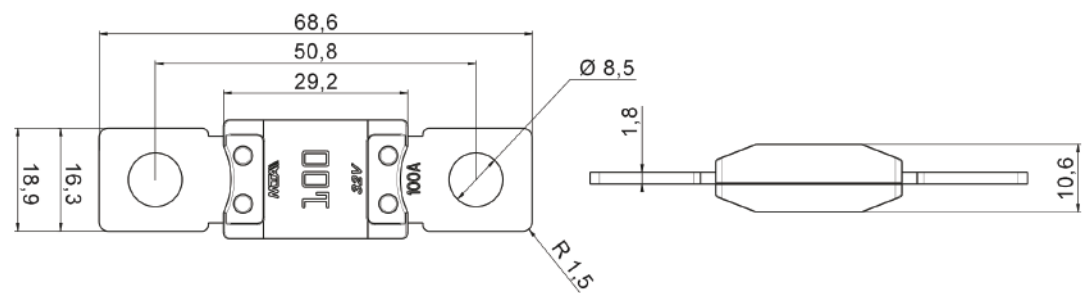




# MEGAVAL®



| AMP  | DESCRIPTION | COLOUR | P/N BLISTER | M.Q.Q. | P/N BULK | M.Q.Q. |
|------|-------------|--------|-------------|--------|----------|--------|
| 100A | MEGAVAL     | Yellow | 0601100     | 20     | 0701100  | 700    |
| 125A | MEGAVAL     | Green  | 0601125     | 20     | 0701125  | 700    |
| 150A | MEGAVAL     | Orange | 0601150     | 20     | 0701150  | 700    |
| 175A | MEGAVAL     | White  | 0601175     | 20     | 0701175  | 700    |
| 200A | MEGAVAL     | Blue   | 0601200     | 20     | 0701200  | 700    |
| 225A | MEGAVAL     | Beige  | 0601225     | 20     | 0701225  | 700    |
| 250A | MEGAVAL     | Pink   | 0601250     | 20     | 0701250  | 700    |
| 300A | MEGAVAL     | Grey   | 0601300     | 20     | 0701300  | 700    |
| 400A | MEGAVAL     | Violet | 0601401     | 20     | 0701401  | 700    |
| 500A | MEGAVAL     | Brown  | 0601600     | 20     | 0701600  | 700    |





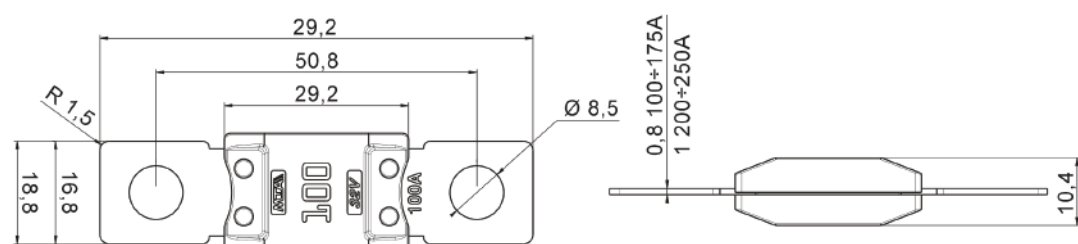
FUSES



# MEGAVAL® CU



| AMP | DESCRIPTION | COLOUR.     | P/N BOX | M.Q.Q. | P/N BULK | M.Q.Q. |
|-----|-------------|-------------|---------|--------|----------|--------|
| 100 | Cu MEGAVAL  | Yellow      | 0611100 | 20     | 0711100  | 400    |
| 125 | Cu MEGAVAL  | Green       | 0611125 | 20     | 0711125  | 400    |
| 150 | Cu MEGAVAL  | Orange      | 0611150 | 20     | 0711150  | 400    |
| 175 | Cu MEGAVAL  | White       | 0611175 | 20     | 0711175  | 400    |
| 200 | Cu MEGAVAL  | Blue        | 0611200 | 20     | 0711200  | 400    |
| 225 | Cu MEGAVAL  | Light Brown | 0611225 | 20     | 0711225  | 400    |
| 250 | Cu MEGAVAL  | Pink        | 0611250 | 20     | 0711250  | 400    |

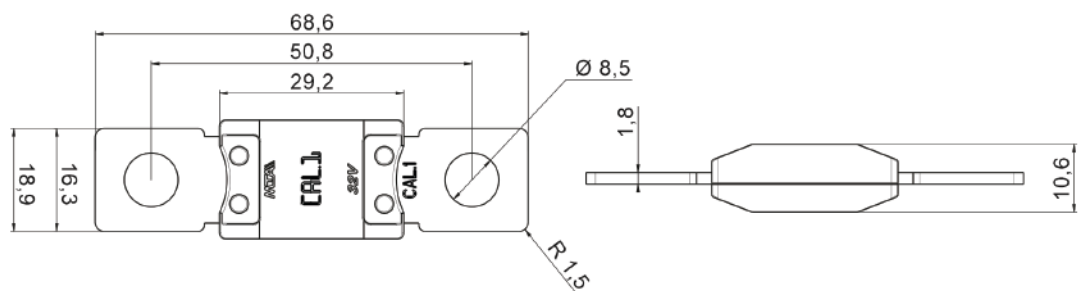




# POWerval®



| AMP   | DESCRIPTION | COLOUR     |  | P/N BLISTER | M.O.Q. | P/N BULK | M.O.Q. |
|-------|-------------|------------|--|-------------|--------|----------|--------|
| CAL.1 | POWerval    | Grey       |  | 0601350     | 20     | 0701350  | 700    |
| CAL.2 | POWerval    | Black      |  | 0601400     | 20     | 0701400  | 700    |
| CAL.3 | POWerval    | Red        |  | 0601450     | 20     | 0701450  | 700    |
| CAL.4 | POWerval    | Brown      |  | 0601500     | 20     | 0701500  | 700    |
| CAL.5 | POWerval    | Wheat Grey |  | 0601700     | 1      | 0701700  | 700    |







FUSES



# JAPVAL®



1

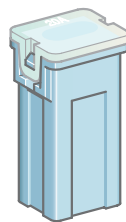


2

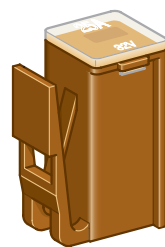
| IMG | AMP | DESCRIPTION     | COLOUR |  | P/N<br>BLISTER | M.Q.Q. | P/N<br>BULK | M.Q.Q. |
|-----|-----|-----------------|--------|--|----------------|--------|-------------|--------|
| 1   | 15A | MICRO FEMALE 10 | Grey   |  | 0404015        | 20     | 0404016     | 500    |
|     | 20A | MICRO FEMALE 10 | Azure  |  | 0404020        | 20     | 0404021     | 500    |
|     | 25A | MICRO FEMALE 10 | White  |  | 0404025        | 20     | 0404026     | 500    |
|     | 30A | MICRO FEMALE 10 | Pink   |  | 0404030        | 20     | 0404031     | 500    |
|     | 40A | MICRO FEMALE 10 | Green  |  | 0404040        | 20     | 0404041     | 500    |
| 2   | 20A | MICRO FEMALE 14 | Azure  |  | 0424020        | 20     | 0424021     | 500    |
|     | 25A | MICRO FEMALE 14 | White  |  | 0424025        | 20     | 0424026     | 500    |
|     | 30A | MICRO FEMALE 14 | Pink   |  | 0424030        | 20     | 0424031     | 500    |
|     | 40A | MICRO FEMALE 14 | Green  |  | 0424040        | 20     | 0424041     | 500    |
|     | 50A | MICRO FEMALE 14 | Red    |  | 0424050        | 20     | 0424051     | 500    |
|     | 60A | MICRO FEMALE 14 | Yellow |  | 0424060        | 20     | 0424061     | 500    |



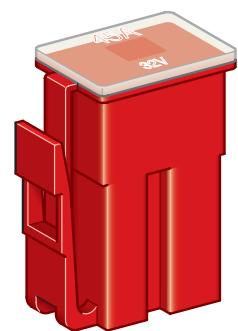
# JAPVAL®



1



2



3

| IMG | AMP | DESCRIPTION    | COLOUR |  | P/N<br>BLISTER | M.Q.Q. | P/N<br>BULK | M.Q.Q. |
|-----|-----|----------------|--------|--|----------------|--------|-------------|--------|
| 1   | 20A | MINI FEMALE 14 | Azure  |  | 0474020        | 20     | 0474021     | 500    |
|     | 30A | MINI FEMALE 14 | Pink   |  | 0474030        | 20     | 0474031     | 500    |
|     | 40A | MINI FEMALE 14 | Green  |  | 0474040        | 20     | 0474041     | 500    |
|     | 50A | MINI FEMALE 14 | Red    |  | 0474050        | 20     | 0474051     | 500    |
|     | 60A | MINI FEMALE 14 | Yellow |  | 0474060        | 20     | 0474061     | 500    |
|     | 70A | MINI FEMALE 14 | Brown  |  | 0474070        | 20     | 0474071     | 500    |
|     | 80A | MINI FEMALE 14 | Black  |  | 0474080        | 20     | 0474081     | 500    |
| 2   | 25A | MINI CLIP      | Brown  |  | 0476025        | 20     | 0476026     | 500    |
|     | 30A | MINI CLIP      | Green  |  | 0476030        | 20     | 0476031     | 500    |
| 3   | 45A | CLIP           | Red    |  | 0477045        | 20     | 0477046     | 500    |
|     | 65A | CLIP           | Black  |  | 0477065        | 20     | 0477066     | 500    |
|     | 75A | CLIP           | Grey   |  | 0477075        | 20     | 0477076     | 500    |

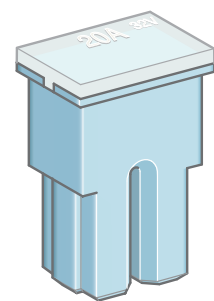




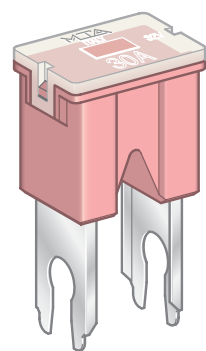
FUSES



# JAPVAL®



1

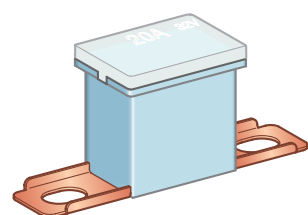


2

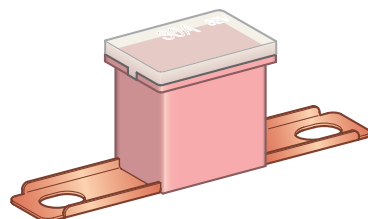
| IMG | AMP  | DESCRIPTION | COLOUR |  | P/N<br>BLISTER | M.Q.Q. | P/N<br>BULK | M.Q.Q. |
|-----|------|-------------|--------|--|----------------|--------|-------------|--------|
| 1   | 20A  | FEMALE      | Azure  |  | 0470020        | 20     | 0470021     | 500    |
|     | 30A  | FEMALE      | Pink   |  | 0470030        | 20     | 0470031     | 500    |
|     | 40A  | FEMALE      | Green  |  | 0470040        | 20     | 0470041     | 500    |
|     | 50A  | FEMALE      | Red    |  | 0470050        | 20     | 0470051     | 500    |
|     | 60A  | FEMALE      | Yellow |  | 0470060        | 20     | 0470061     | 500    |
|     | 80A  | FEMALE      | Black  |  | 0470080        | 20     | 0470081     | 500    |
| 2   | 100A | FEMALE      | Blue   |  | 0470100        | 20     | 0470101     | 500    |
|     | 30A  | MALE        | Pink   |  | 0471030        | 20     | 0471031     | 500    |
|     | 40A  | MALE        | Green  |  | 0471040        | 20     | 0471041     | 500    |
|     | 50A  | MALE        | Red    |  | 0471050        | 20     | 0471051     | 500    |
|     | 60A  | MALE        | Yellow |  | 0471060        | 20     | 0471061     | 500    |
|     | 80A  | MALE        | Black  |  | 0471080        | 20     | 0471081     | 500    |
|     | 100A | MALE        | Blue   |  | 0471100        | 20     | 0471101     | 500    |
|     |      |             |        |  |                |        |             |        |
|     |      |             |        |  |                |        |             |        |
|     |      |             |        |  |                |        |             |        |



# JAPVAL®



1



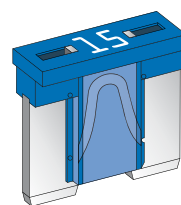
2

| IMG | AMP  | DESCRIPTION | COLOUR |  | P/N<br>BLISTER | M.Q.Q. | P/N<br>BULK | M.Q.Q. |
|-----|------|-------------|--------|--|----------------|--------|-------------|--------|
| 1   | 20A  | MALE 48     | Azure  |  | 0475020        | 20     | 0475021     | 500    |
|     | 30A  | MALE 48     | Pink   |  | 0475030        | 20     | 0475031     | 500    |
|     | 40A  | MALE 48     | Green  |  | 0475040        | 20     | 0475041     | 500    |
|     | 50A  | MALE 48     | Red    |  | 0475050        | 20     | 0475051     | 500    |
|     | 60A  | MALE 48     | Yellow |  | 0475060        | 20     | 0475061     | 500    |
|     | 70A  | MALE 48     | Brown  |  | 0475070        | 20     | 0475071     | 500    |
|     | 80A  | MALE 48     | Black  |  | 0475080        | 20     | 0475081     | 500    |
|     | 100A | MALE 48     | Blue   |  | 0475100        | 20     | 0475101     | 500    |
| 2   | 30A  | MALE 62     | Pink   |  | 0472030        | 20     | 0472031     | 500    |
|     | 40A  | MALE 62     | Green  |  | 0472040        | 20     | 0472041     | 500    |
|     | 50A  | MALE 62     | Red    |  | 0472050        | 20     | 0472051     | 500    |
|     | 60A  | MALE 62     | Yellow |  | 0472060        | 20     | 0472061     | 500    |
|     | 80A  | MALE 62     | Black  |  | 0472080        | 20     | 0472081     | 500    |
|     | 100A | MALE 62     | Blue   |  | 0472100        | 20     | 0472101     | 500    |





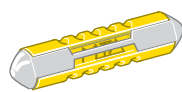
# MINI LOW PROFILE



| AMP  | DESCRIPTION      | COLOUR  | P/N<br>BLISTER | M.Q.Q. | P/N<br>BULK | M.Q.Q. |
|------|------------------|---------|----------------|--------|-------------|--------|
| 2A   | MINI LOW PROFILE | Grey    | 0600210        | 200    | 0700210     | 200    |
| 3A   | MINI LOW PROFILE | Violet  | 0600220        | 200    | 0700220     | 200    |
| 4A   | MINI LOW PROFILE | Pink    | 0600230        | 200    | 0700230     | 200    |
| 5A   | MINI LOW PROFILE | Beige   | 0600240        | 200    | 0700240     | 200    |
| 7,5A | MINI LOW PROFILE | Brown   | 0600250        | 200    | 0700250     | 200    |
| 10A  | MINI LOW PROFILE | Red     | 0600260        | 200    | 0700260     | 200    |
| 15A  | MINI LOW PROFILE | Blue    | 0600270        | 200    | 0700270     | 200    |
| 20A  | MINI LOW PROFILE | Yellow  | 0600280        | 200    | 0700280     | 200    |
| 25A  | MINI LOW PROFILE | Natural | 0600290        | 200    | 0700290     | 200    |
| 30A  | MINI LOW PROFILE | Green   | 0600302        | 200    | 0700302     | 200    |



# CONTINENTAL



| AMP | DESCRIPTION  | COLOUR |  | P/N BOX | M.Q.Q. | P/N BULK | M.Q.Q. |
|-----|--------------|--------|--|---------|--------|----------|--------|
| 5A  | FIAT 9.91806 | Yellow |  | 0200140 | 100    | 0300140  | 5000   |
| 8A  | FIAT 9.91806 | Black  |  | 0200150 | 100    | 0300150  | 5000   |
| 16A | FIAT 9.91806 | Green  |  | 0200170 | 100    | 0300170  | 5000   |
| 25A | FIAT 9.91806 | Brown  |  | 0200180 | 100    | 0300180  | 5000   |
| 5A  | DIN 72581    | Yellow |  | 0200140 | 100    | 0300140  | 5000   |
| 8A  | DIN 72581    | White  |  | 0200151 | 100    | 0300151  | 5000   |
| 16A | DIN 72581    | Red    |  | 0200171 | 100    | 0300171  | 5000   |
| 25A | DIN 72581    | Blue   |  | 0200181 | 100    | 0300181  | 5000   |
| 5A  | BNA 709      | Violet |  | 0200142 | 100    | 0300142  | 5000   |
| 8A  | BNA 709      | Blue   |  | 0200149 | 100    | 0300149  | 5000   |
| 10A | BNA 709      | Green  |  | 0200152 | 100    | 0300152  | 5000   |
| 16A | BNA 709      | Yellow |  | 0200172 | 100    | 0300172  | 5000   |
| 25A | BNA 709      | Red    |  | 0200182 | 100    | 0300182  | 5000   |

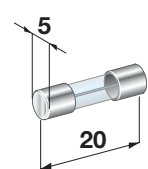




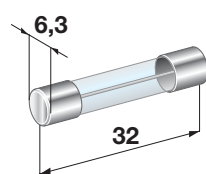
# FUSES



## GLASS



1



2

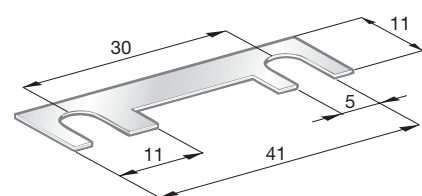
| IMG | AMP   | DESCRIPTION       | P/N BOX | M.O.Q. | P/N BULK | M.O.Q. |
|-----|-------|-------------------|---------|--------|----------|--------|
| 1   | 500MA | GLASS FUSE 5X20   | 0430300 | 50     |          |        |
|     | 1A    | GLASS FUSE 5X20   | 0430400 | 50     | 0530400  | 1000   |
|     | 2A    | GLASS FUSE 5X20   | 0430500 | 50     | 0530500  | 1000   |
|     | 3A    | GLASS FUSE 5X20   | 0430600 | 50     | 0530600  | 1000   |
|     | 4A    | GLASS FUSE 5X20   | 0430700 | 50     |          |        |
|     | 5A    | GLASS FUSE 5X20   | 0430800 | 50     | 0530800  | 1000   |
|     | 6A    | GLASS FUSE 5X20   | 0430900 | 50     |          |        |
|     | 8A    | GLASS FUSE 5X20   | 0431000 | 50     |          |        |
|     | 10A   | GLASS FUSE 5X20   | 0431100 | 50     | 0531100  | 1000   |
|     | 15A   | GLASS FUSE 5X20   | 0431300 | 50     |          |        |
|     | 20A   | GLASS FUSE 5X20   | 0431400 | 50     |          |        |
| 2   | 2A    | GLASS FUSE 6,3X32 | 0433200 | 50     | 0533200  | 1000   |
|     | 3A    | GLASS FUSE 6,3X32 | 0433300 | 50     |          |        |
|     | 5A    | GLASS FUSE 6,3X32 | 0433400 | 50     | 0533400  | 1000   |
|     | 7,5A  | GLASS FUSE 6,3X32 | 0433450 | 50     |          |        |
|     | 10A   | GLASS FUSE 6,3X32 | 0433500 | 50     | 0533500  | 1000   |
|     | 15A   | GLASS FUSE 6,3X32 | 0433600 | 50     | 0533600  | 1000   |
|     | 20A   | GLASS FUSE 6,3X32 | 0433700 | 50     | 0533700  | 1000   |
|     | 25A   | GLASS FUSE 6,3X32 | 0433800 | 50     | 0533800  | 1000   |
|     | 30A   | GLASS FUSE 6,3X32 | 0433850 | 50     | 0533850  | 1000   |
|     | 35A   | GLASS FUSE 6,3X32 | 0433900 | 50     | 0533900  | 1000   |





## FUSES

# STRIP



| AMP  | DESCRIPTION | P/N<br>BOX | M.O.Q. |
|------|-------------|------------|--------|
| 30A  | STRIP FUSE  | 0200296    | 100    |
| 40A  | STRIP FUSE  | 0200300    | 100    |
| 50A  | STRIP FUSE  | 0200297    | 100    |
| 60A  | STRIP FUSE  | 0200301    | 100    |
| 80A  | STRIP FUSE  | 0200298    | 100    |
| 100A | STRIP FUSE  | 0200299    | 100    |







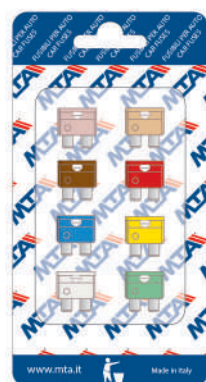
FUSES



# ASSORTMENT



1



2



3



4

| IMG | DESCRIPTION   | P/N BLISTER | M.O.Q. |
|-----|---|-------------|--------|
| 1   | 10 UNIVAL FUSES 3A (1 PCS), 5A (1 PCS), 7,5A (1 PCS), 10A (2 PCS), 15A (1 PCS), 20A (2 PCS), 25A (1 PCS), 30A (1 PCS) | 0600418     | 20     |
| 2   | 8 UNIVAL FUSES 3A (1 PCS), 5A (1 PCS), 7,5A (1 PCS), 10A (1 PCS), 15A (1 PCS), 20A (1 PCS), 25A (1 PCS), 30A (1 PCS)  | 0600407     | 50     |
| 3   | 10 UNIVAL FUSES 3A (1 PCS), 5A (1 PCS), 7,5A (1 PCS), 10A (2 PCS), 15A (1 PCS), 20A (2 PCS), 25A (1 PCS), 30A (1 PCS) | 0600408     | 50     |
| 4   | 6 MINIVAL FUSES 3A (1 PCS), 5A (1 PCS), 10A (1 PCS), 15A (1 PCS), 20A (1 PCS), 30A (1 PCS)                            | 3004000     | 50     |



# ASSORTMENT



80 MINIVAL



80 UNIVAL



160 UNIVAL



1



2



3

| IMG | DESCRIPTION  | P/N BOX | M.O.Q. |
|-----|--|---------|--------|
| 1   | ASSORTMENT BOX 80 MINIVAL FUSES 2A (10 PCS), 3A (3 PCS), 4A (10 PCS), 5A (3 PCS), 7,5A (10 PCS), 10A (10 PCS), 15A (10 PCS), 20A (10 PCS), 25A (4 PCS), 30A (10 PCS) | 0600010 | 1      |
| 2   | ASSORTMENT BOX 80 UNIVAL FUSES 4A (10 PCS), 5A (10 PCS), 7,5A (10 PCS), 10A (10 PCS), 15A (10 PCS), 20A (10 PCS), 25A (10 PCS), 30A (10 PCS)                         | 0650015 | 1      |
| 3   | ASSORTMENT BOX 160 UNIVAL FUSES 4A (20 PCS), 5A (20 PCS), 7,5A (20 PCS), 10A (20 PCS), 15A (20 PCS), 20A (20 PCS), 25A (20 PCS), 30A (20 PCS)                        | 0650016 | 1      |

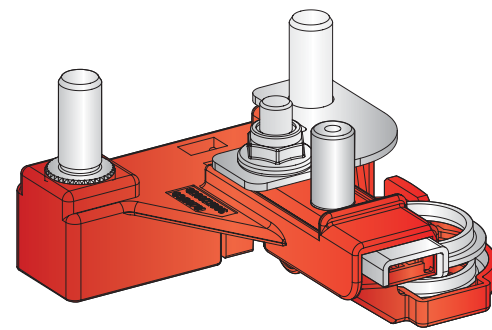




# POWER DISTRIBUTION UNITS

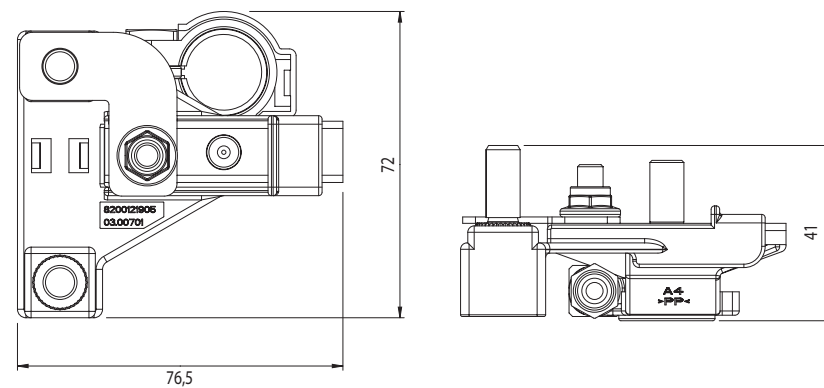


# CBA X73

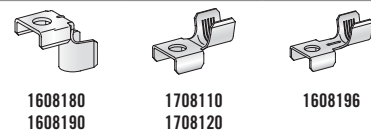


1

| IMG | DESCRIPTION   | P/N     | M.O.Q. |
|-----|---|---------|--------|
| 1   | PRE-MOUNTED HOUSING FOR 1 POWER/MEGAVAL WITH BATTERY TERMINAL | 0100703 | 1      |

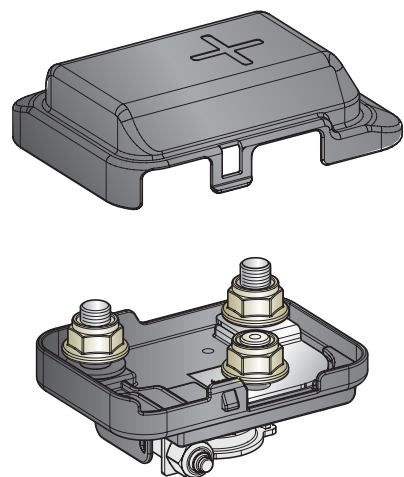


**CONNECTIONS AND FIXINGS**



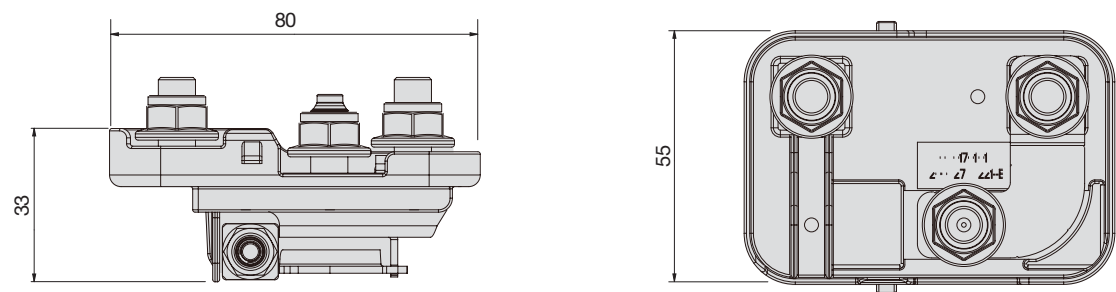


# CBA J81 L4



1

| IMG | DESCRIPTION   | P/N     | M.O.Q. |
|-----|---|---------|--------|
| 1   | PRE MOUNTED HOUSING FOR 1 MEGA/POWerval WITH COVER AND BATTERY TERMINAL | 0101703 | 1      |



**CONNECTIONS AND FIXINGS**

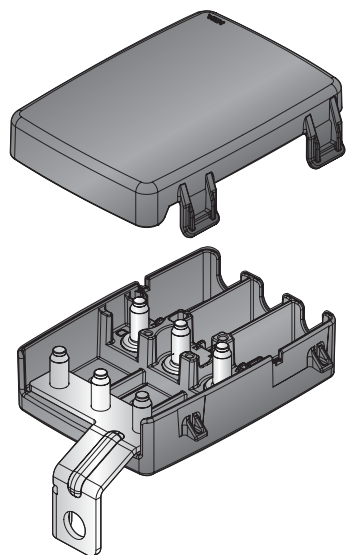


CBA J81 L4

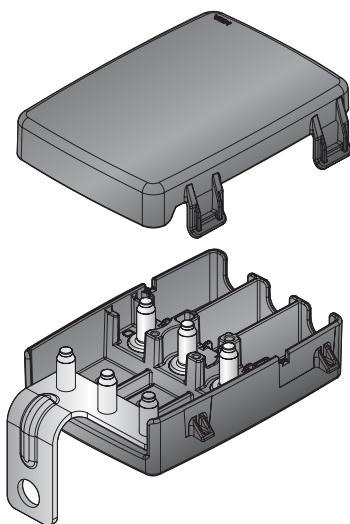




# 3 - WAY MIDIVAL®

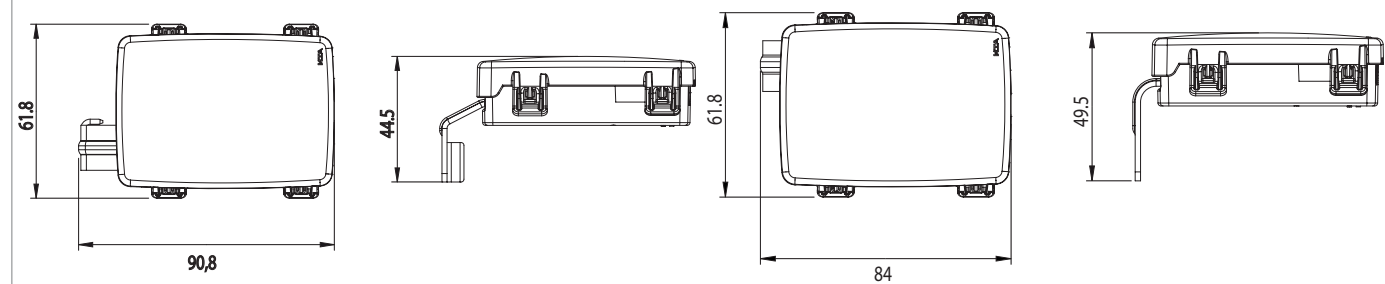


1



2

| IMG | DESCRIPTION   | P/N     | M.O.Q. |
|-----|---|---------|--------|
| 1   | PRE MOUNTED HOUSING DX FOR 3 MIDIVAL WITH COVER AND BUS BAR | 0300442 | 1      |
| 2   | PRE MOUNTED HOUSING SX FOR 3 MIDIVAL WITH COVER AND BUS BAR | 0300468 | 1      |



### CONNECTIONS AND FIXINGS

IMG 1-2

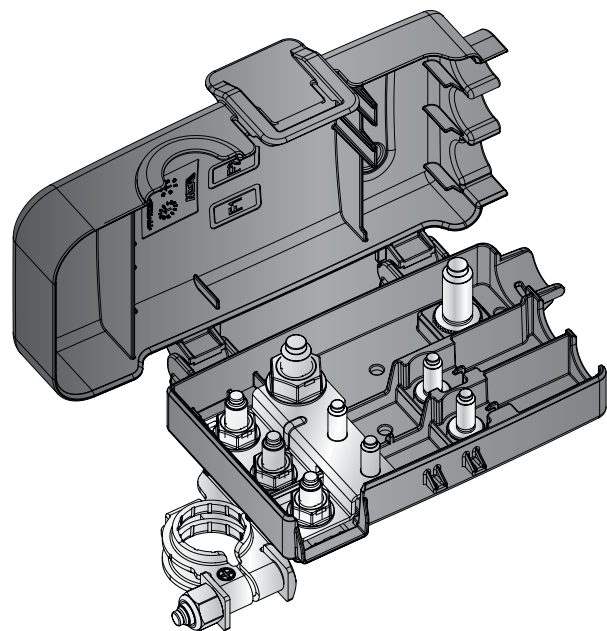


MIDI  
POL A,B,D





# CDB



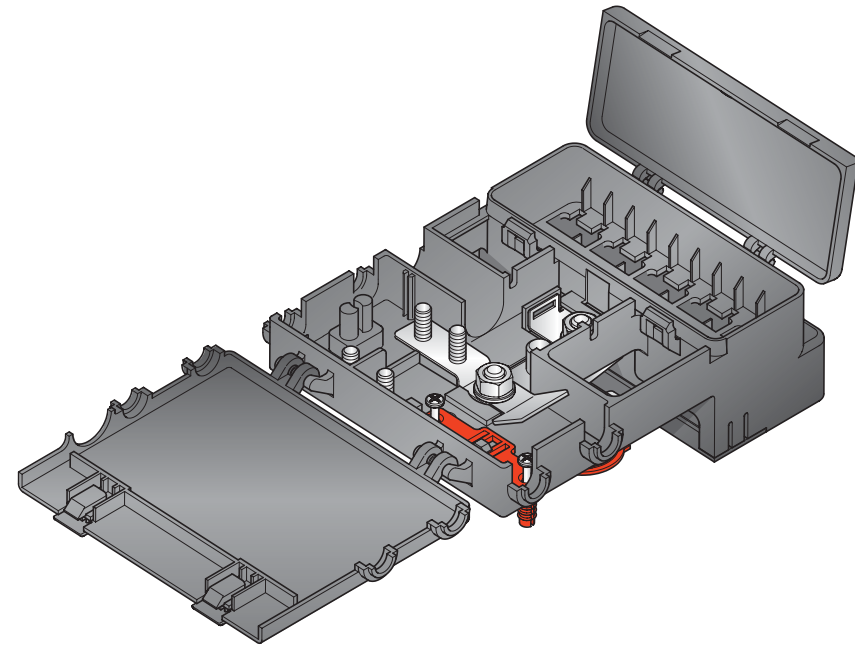
1



| IMG   | DESCRIPTION  | P/N     | M.O.Q. |
|---|--|---------|--------|
| 1   | PRE MOUNTED HOUSING FOR 2 MIDI AND 1 CAL/MEGAVAL WITH BATTERY TERMINAL | 0300839 | 20     |
|   |  |         |        |
| <p><b>CONNECTIONS AND FIXINGS</b></p> <p>MIDI<br/>POL A,B</p> <p>MEGA</p> |  |         |        |

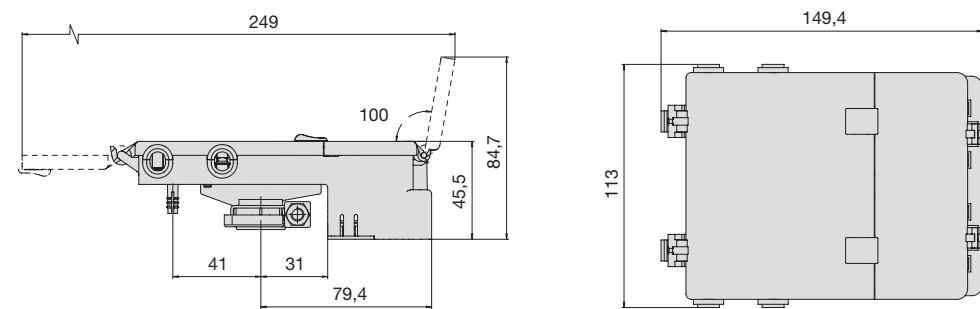


# LINK BATT



1

| IMG | DESCRIPTION                                     | P/N     | M.O.Q. |
|-----|---|---------|--------|
| 1   | PRE MOUNTED HOUSING FOR 8 MAXIVAL AND 2 MIDIVAL | 0100710 | 1      |

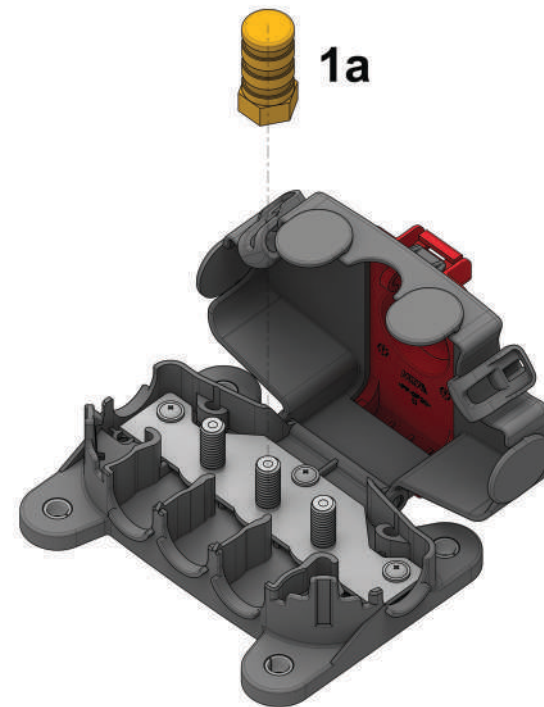


CONNECTIONS AND FIXINGS



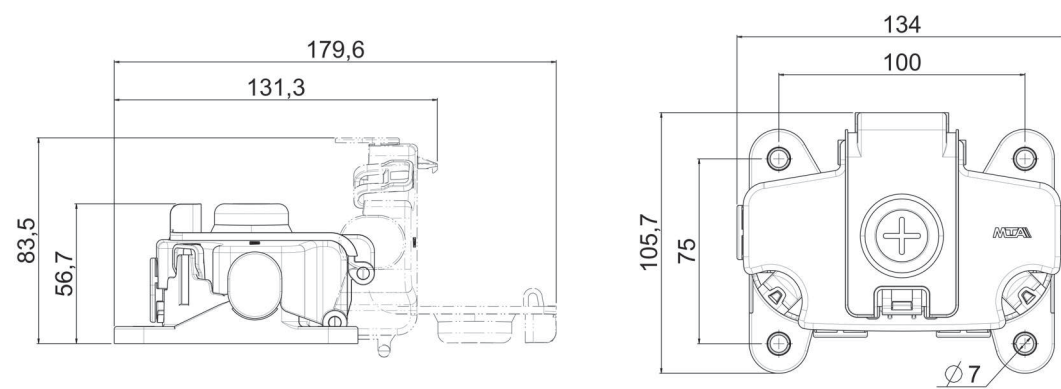


# JUMP START



1

| IMG | DESCRIPTION                            | P/N BULK | M.O.Q. |
|-----|--|----------|--------|
| 1   | JUMP START NODE                        | 4541203  | 60     |
| 1a  | JUMP START PLUG FOR POWER DISTRIBUTION | 4541204  | 200    |

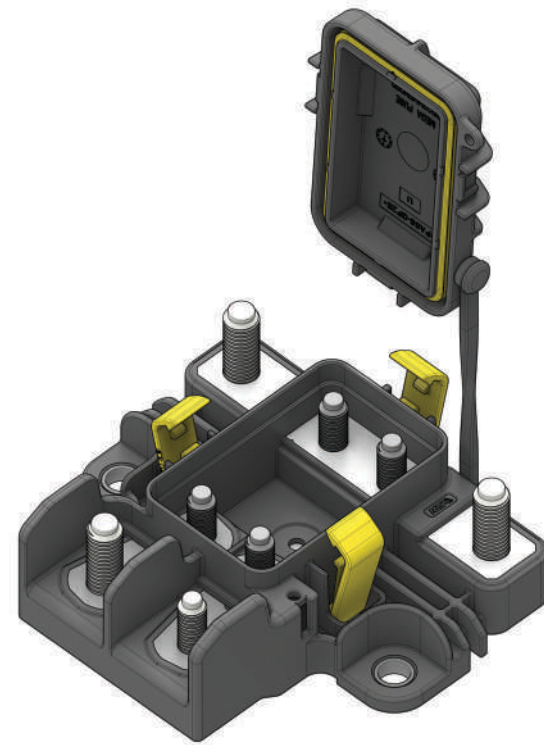


**CONNECTIONS AND FIXINGS**



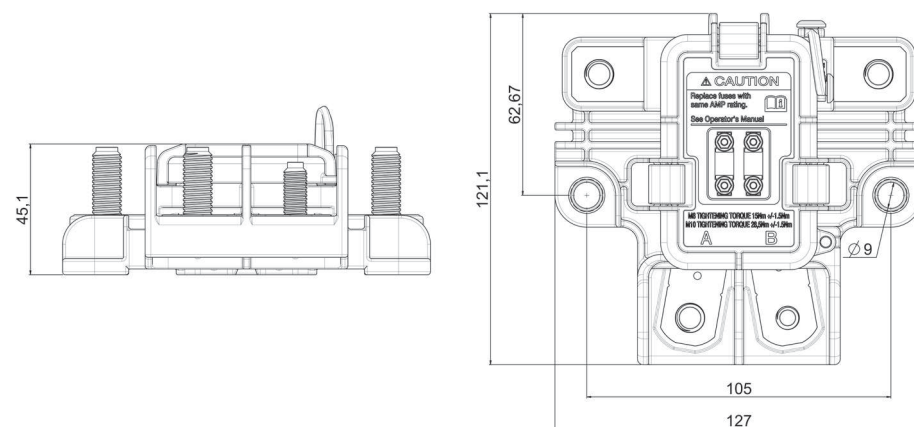
TUBULAR M8

# PDU 2M



1

| IMG | DESCRIPTION                                  | P/N     | M.O.Q. |
|-----|--|---------|--------|
| 1   | PRE MOUNTED HOUSING FOR 2 MEGAVAL WITH COVER | 0301887 | 1      |



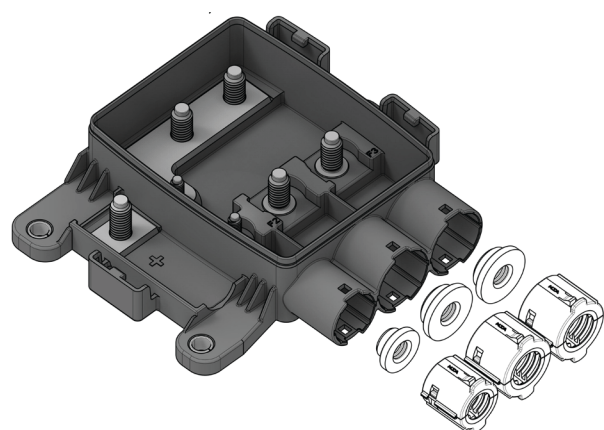
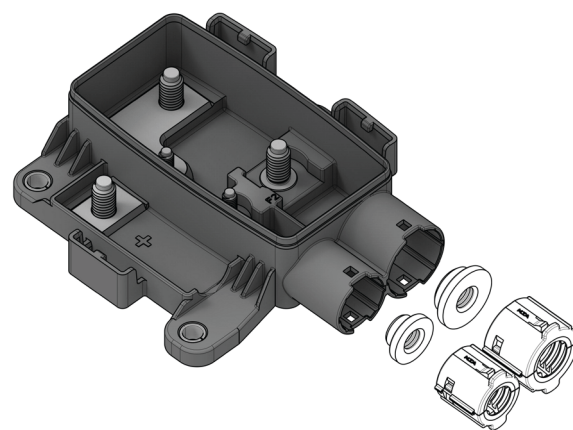
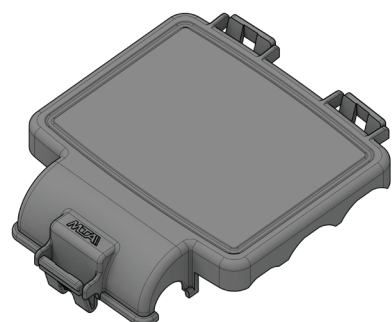
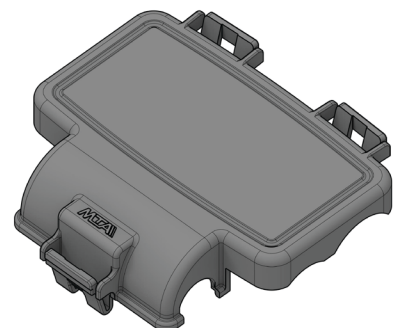
CONNECTIONS AND FIXINGS



TUBOLAR



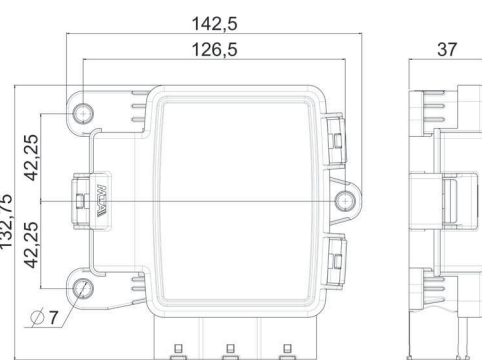
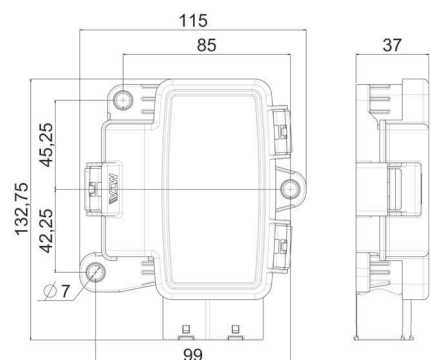
# 2 , 3 - WAY WATER PROOF PDU



1

2

| IMG | DESCRIPTION  | P/N BOX | M.O.Q. |
|-----|--|---------|--------|
| 1   | PRE MOUNTED HOUSING FOR 1 MIDIVAL AND 1 MEGAVAL WITH COVER | 0301053 | 20     |
| 2   | PRE MOUNTED HOUSING FOR 1 MIDIVAL AND 2 MEGAVAL WITH COVER | 0301045 | 20     |



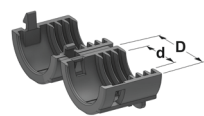
### CONNECTIONS AND FIXINGS

| IMG     | 1+2          | 1+2           | 1+2           | 2       | 1+2    | 1+2           | 1+2 |
|---------|--------------|---------------|---------------|---------|--------|---------------|-----|
|         |              |               |               |         |        |               |     |
| TUBULAR | MIDI M5 POLA | MEGA M8 POL A | MEGA M8 POL B | 1607510 | GASKET | TUBE RETAINER |     |





# RETAINER & GASKETS



1



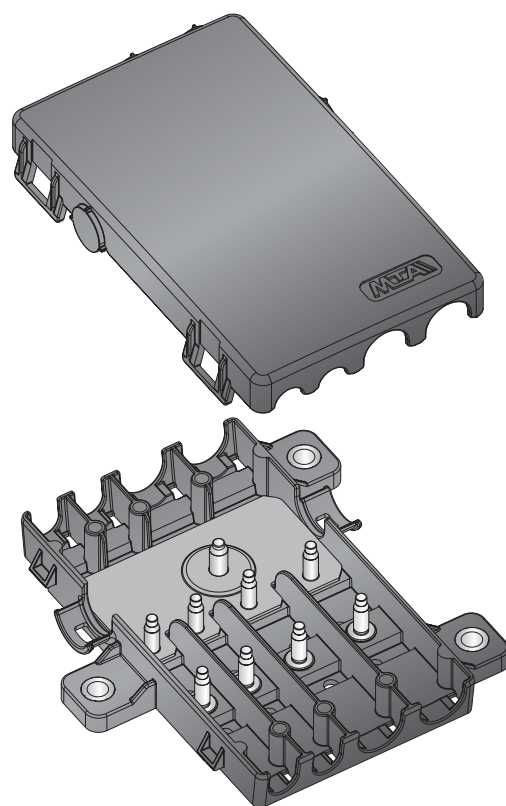
2

| IMG | DESCRIPTION   | MATERIAL | COLOUR  | D    | d    | P/N BULK | M.O.Q. |
|-----|---------------|----------|---------|------|------|----------|--------|
| 1   | TUBE RETAINER | PBT      | Black   | 19,6 | 6    | 0300454  | 200    |
|     | TUBE RETAINER | PBT      | Black   | 19,6 | 8    | 0300452  | 200    |
|     | TUBE RETAINER | PBT      | Black   | 19,6 | 11,4 | 0300465  | 200    |
|     | TUBE RETAINER | PBT      | Black   | 24,6 | 12,8 | 0300455  | 200    |
|     | TUBE RETAINER | PBT      | Black   | 24,6 | 14,3 | 0300464  | 200    |
|     | TUBE RETAINER | PBT      | Black   | 24,6 | 15,2 | 0300557  | 200    |
| 2   | GASKET        | SILICON  | Green   | 18   | 2    | 0300456  | 200    |
|     | GASKET        | SILICON  | Blue    | 18   | 3,7  | 0300457  | 200    |
|     | GASKET        | SILICON  | Yellow  | 18   | 6    | 0300463  | 200    |
|     | GASKET        | SILICON  | Red     | 18   | 8    | 0300458  | 200    |
|     | CAVITY PLUG   | SILICON  | Natural | 18   | -    | 0350459  | 200    |
|     | GASKET        | SILICON  | Yellow  | 23   | 8    | 0300460  | 200    |
|     | GASKET        | SILICON  | Green   | 23   | 10   | 0350558  | 200    |



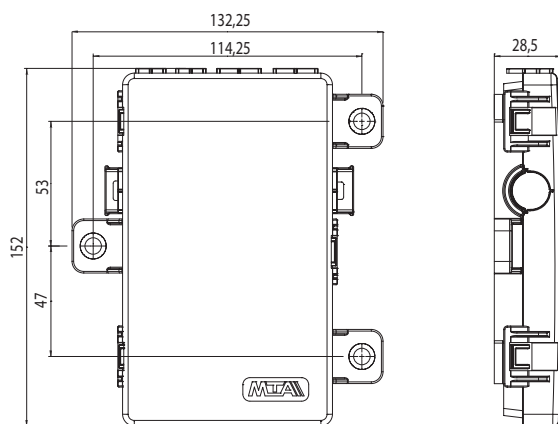


# 4 - WAY MIDIVAL®

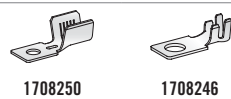


1

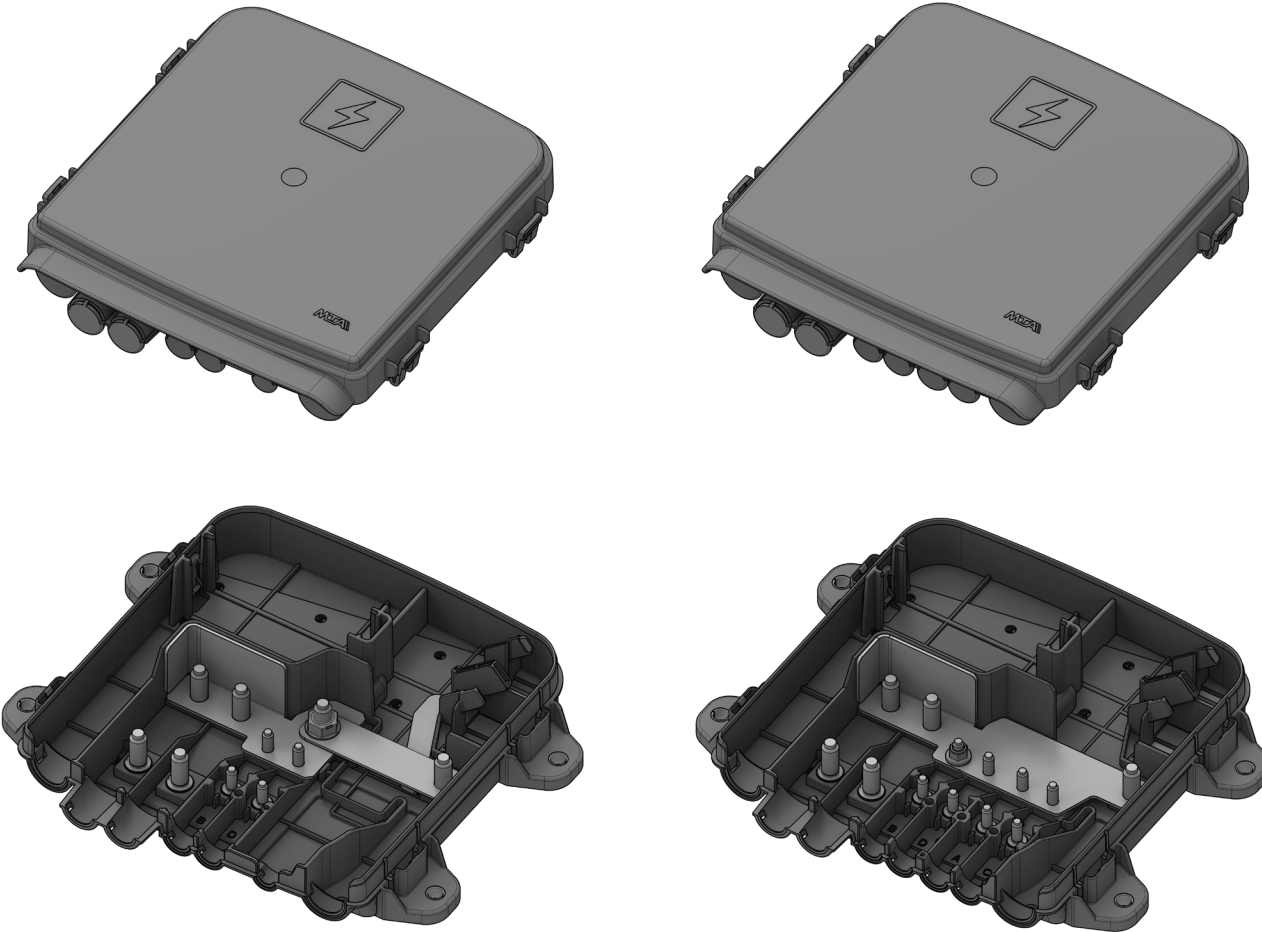
| IMG | DESCRIPTION   | P/N BOX | M.O.Q. |
|-----|---|---------|--------|
| 1   | PRE MOUNTED HOUSING FOR 4 MIDIVAL WITH COVER, BUS BAR AND SELF LOCKING NUTS | 0300552 | 1      |



CONNECTIONS AND FIXINGS



# SPLASH PROOF CONFIGURABLE PDU

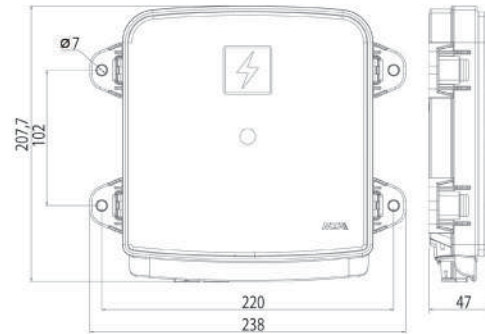


1

2

| IMG | DESCRIPTION   | P/N     | M.O.Q. |
|-----|---|---------|--------|
| 1   | PRE MOUNTED HOUSING FOR 2 MEGA/POWERVAL + 2 MIDIVAL W/ COVER AND BUS BAR. CAN ACCOMODATE ELECTRONIC BDS | 0301865 | 1      |
| 2   | PRE MOUNTED HOUSING FOR 4 MIDIVAL + 2 MEGAVAL + 5 MINIVAL WITH COVER AND BUS BAR                        | 0301873 | 1      |

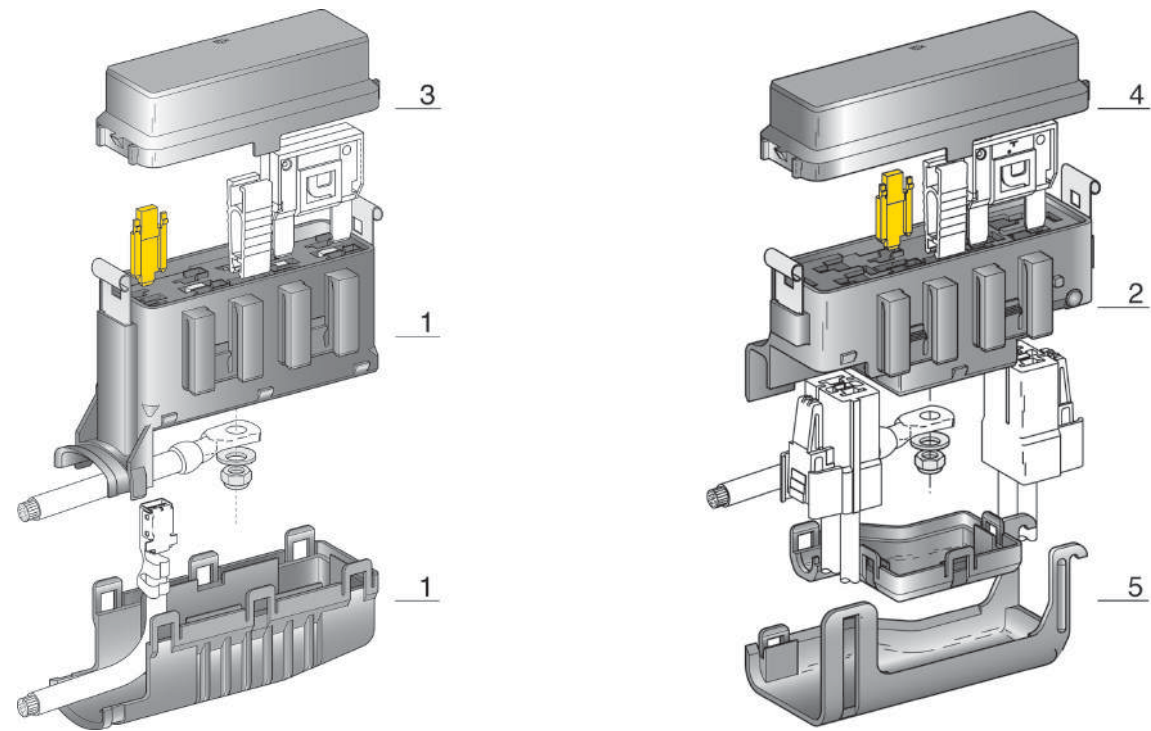
THESE PDU CAN ACCOMODATE ANY FUSE/RELAY MODULE



**CONNECTIONS AND FIXINGS**

| IMG | 1+2             | 2                   | 1+2        | 1+2     | 1+2 | 1+2  |
|-----|-----------------|---------------------|------------|---------|-----|------|
|     |                 |                     |            |         |     |      |
|     | MIDI<br>POL A,B | MIDI<br>POL A,B,C,D | TUBOLAR M8 | MUDULES | SML | F280 |

# LINK BOX



| IMG | DESCRIPTION                           | WAY | MATERIAL          | COLOUR  | P/N KIT WITH COVER AND TERMINALS | M.O.Q. | P/N BULK | M.O.Q. |
|-----|---------------------------------------|-----|-------------------|---------|----------------------------------|--------|----------|--------|
| 1   | HOUSING + BOTTOM COVER + S.LOCK + NUT | 4   | PA66 GF25<br>PA66 | ■ Black | 0100500                          | 5      | 0300500  | 200    |
| 2   | HOUSING + BOTTOM COVER + S.LOCK + NUT | 4   | PA66 GF25<br>PA66 | ■ Black | 0100800                          | 5      | 0300800  | 150    |
| 3   | COVER WITH GASKET                     |     | PA66 GF25         | ■ Black |                                  |        | 0300950  | 200    |
| 4   | UPPER COVER WITH GASKET               |     | PA66 GF25         | ■ Black |                                  |        | 0300850  | 150    |
| 5   | WIRE'S COVER                          |     | PA66              | ■ Black |                                  |        | 0300849  | 400    |



CONNECTIONS AND FIXINGS

| IMG | 1+2     | 1+2     | 1       | 1+2     | 1+2  | 1+2     | 2       | 2       | 1+2     |
|-----|---------|---------|---------|---------|------|---------|---------|---------|---------|
|     |         |         |         |         |      |         |         |         |         |
|     | 0300949 | 0300851 | 0300690 | 0300691 | F800 | 1605000 | 4540315 | 4540345 | 4545100 |

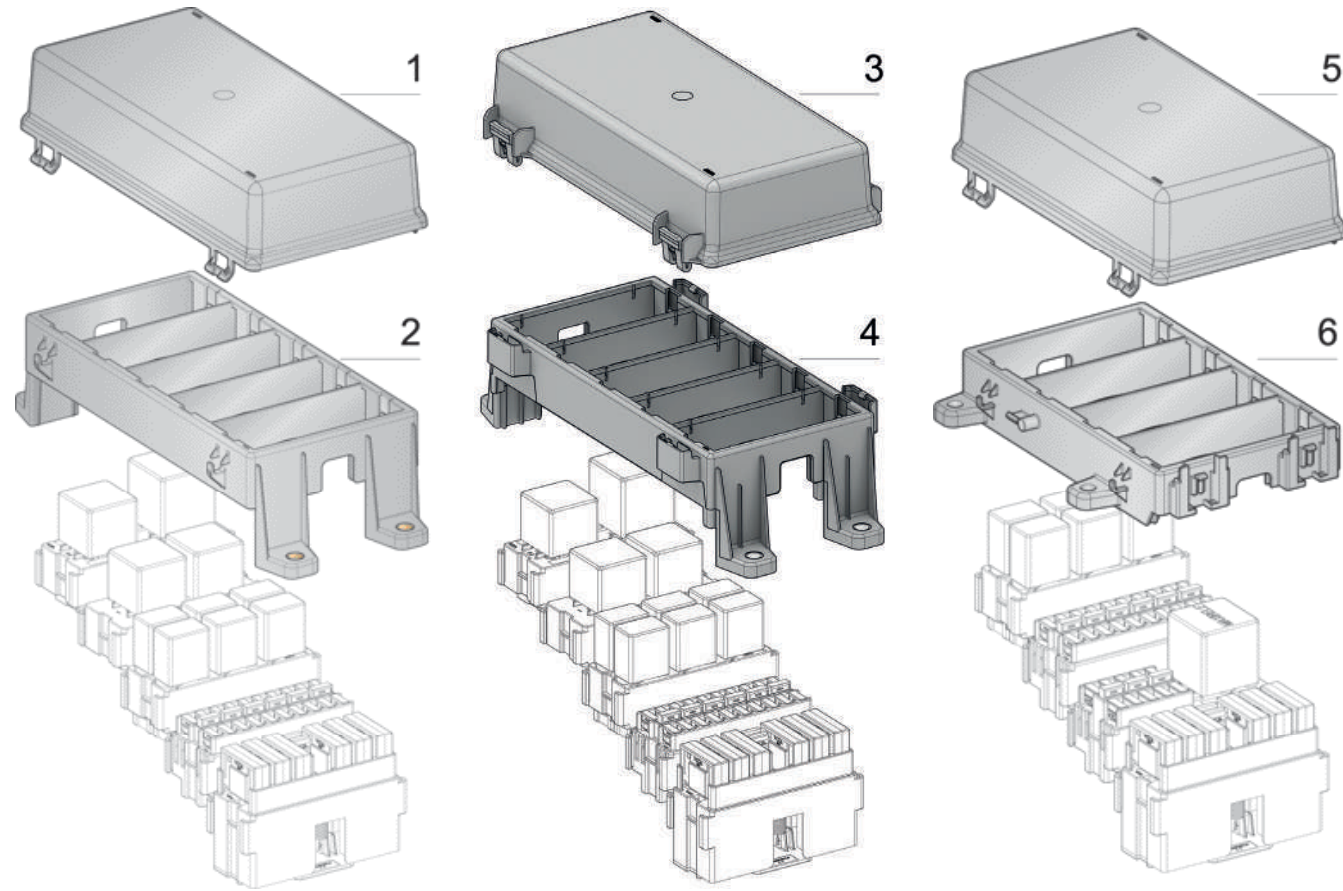


# MAIN DISTRIBUTION UNITS

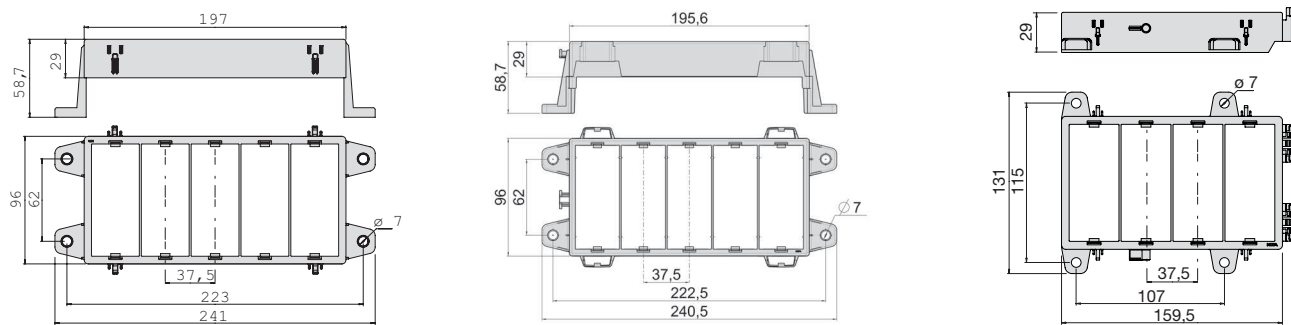




# FRAMES, BRACKETS & COVERS



| IMG | DESCRIPTION | WAY | MATERIAL | COLOUR | P/N BOX | M.O.Q. | P/N BULK | M.O.Q. |
|-----|-------------|-----|----------|--------|---------|--------|----------|--------|
| 1   | COVER       | 5   | PP GF30  | Grey   | 0101540 | 1      | 0301540  | 48     |
| 2   | FRAME       | 5   | PP GF30  | Grey   | 0101450 | 1      | 0301450  | 85     |
| 3   | COVER       | 5   | PP GF30  | Grey   | 0101707 | 1      | 0301707  | 85     |
| 4   | FRAME       | 5   | PP GF30  | Grey   | 0101706 | 1      | 0301706  | 85     |
| 5   | COVER       | 4   | PP GF30  | Grey   | 0101530 | 1      | 0301530  | 63     |
| 6   | FRAME       | 4   | PP GF30  | Grey   | 0101520 | 1      | 0301520  | 63     |



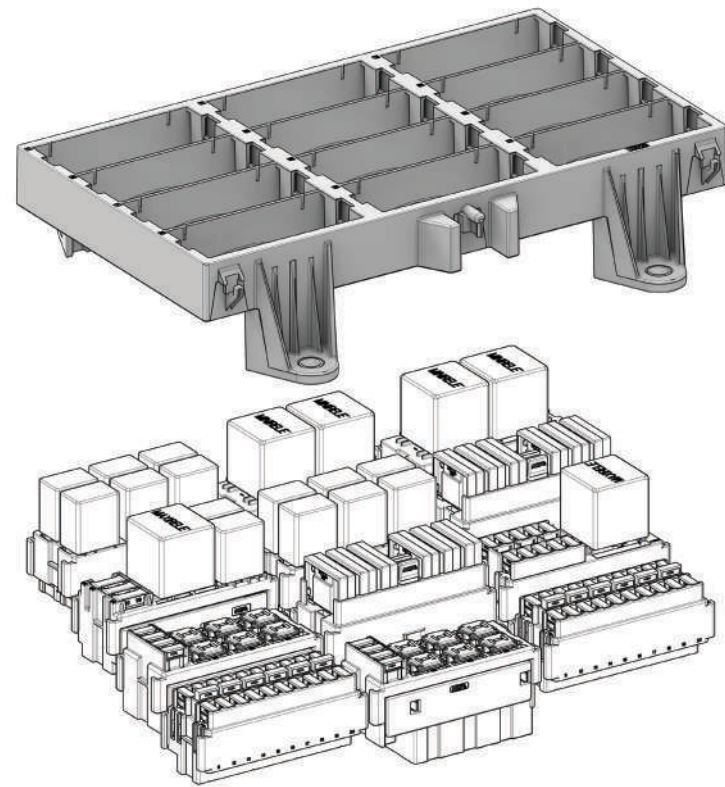
CONNECTIONS AND FIXINGS

IMG 2+4+6

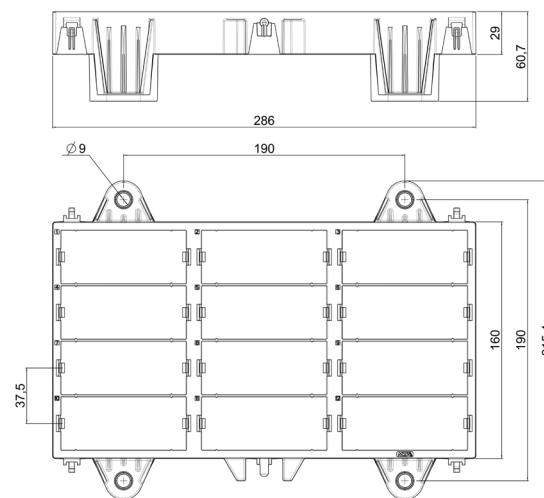


0301630

# FRAMES, BRACKETS & COVERS

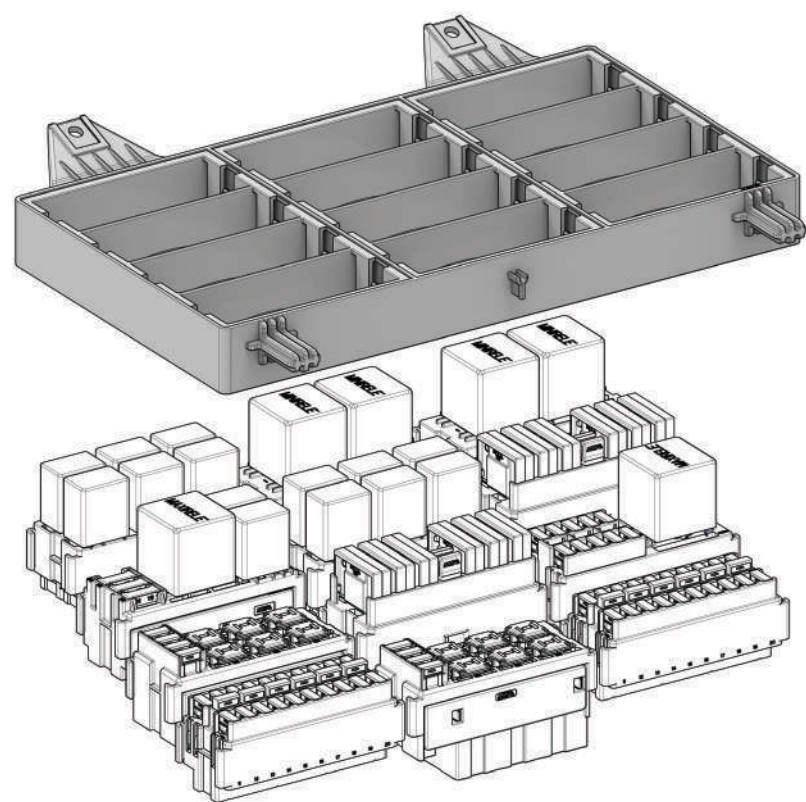


| IMG | DESCRIPTION | WAY | MATERIAL | COLOUR | P/N BOX | M.O.Q. | P/N BULK | M.O.Q. |
|-----|-------------|-----|----------|--------|---------|--------|----------|--------|
| 1   | FRAME       | 12  | PP GF30  | Grey   | 0101682 | 1      | 0301682  | 104    |

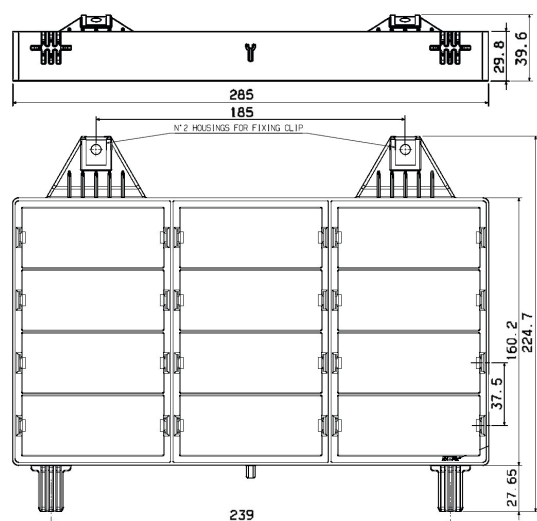




# FRAMES, BRACKETS & COVERS

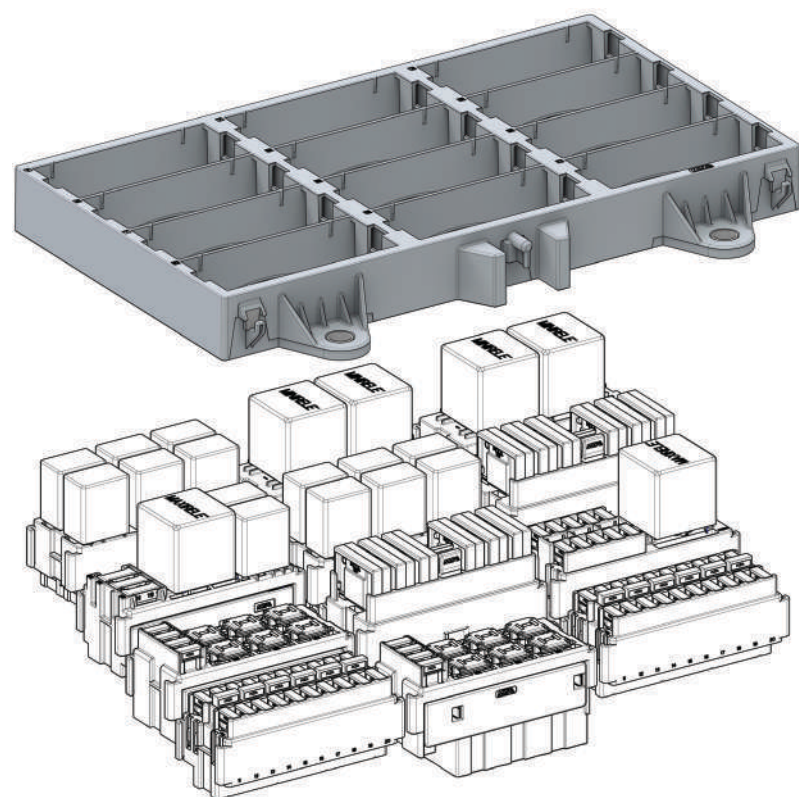


| IMG | DESCRIPTION | WAY | MATERIAL | COLOUR |  | P/N BOX | M.O.Q. | P/N BULK | M.O.Q. |
|-----|-------------|-----|----------|--------|--|---------|--------|----------|--------|
| 1   | FRAME       | 12  | PP GF30  | Grey   |  | 0101680 | 1      | 0301680  | 104    |

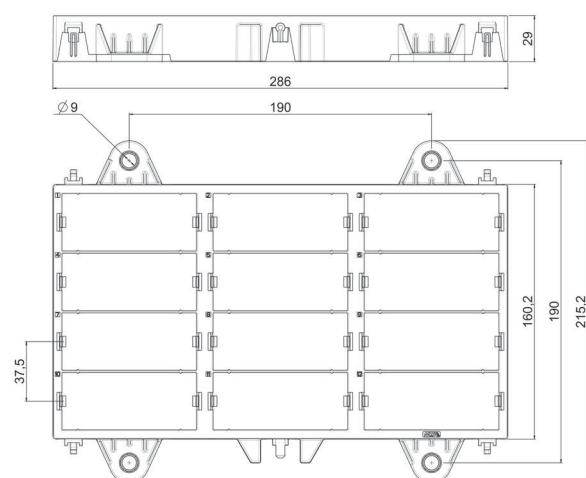




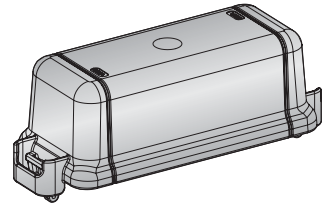
# FRAMES, BRACKETS & COVERS



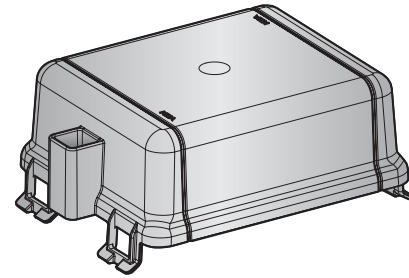
| IMG | DESCRIPTION | WAY | MATERIAL | COLOUR |  | P/N BOX | M.O.Q. | P/N BULK | M.O.Q. |
|-----|-------------|-----|----------|--------|--|---------|--------|----------|--------|
| 1   | FRAME       | 12  | PP GF30  | Grey   |  | 0101681 | 1      | 0301681  | 104    |



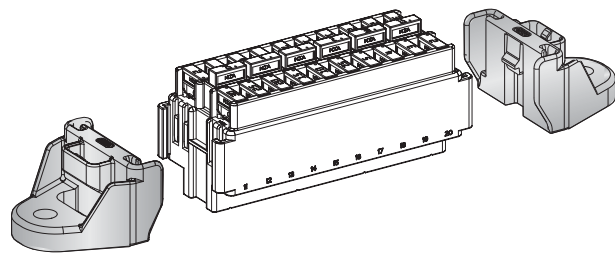
# FRAMES, BRACKETS & COVERS



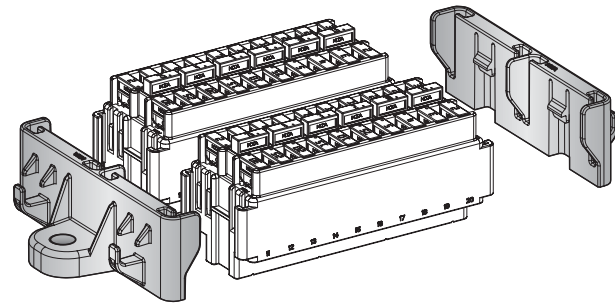
1



2

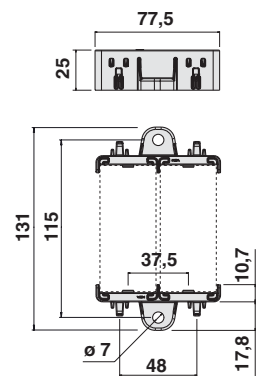
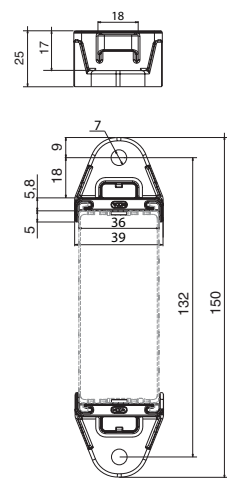


3



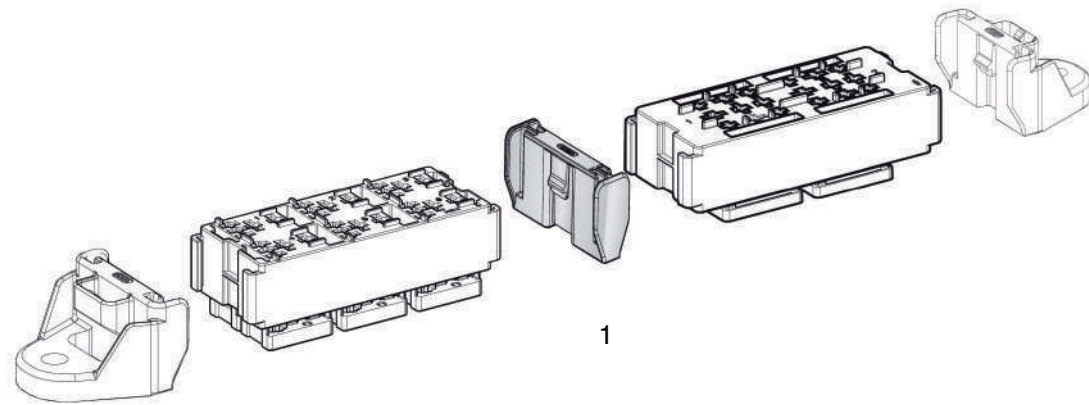
4

| IMG | DESCRIPTION | WAY | MATERIAL | COLOUR | P/N BOX | M.Q.Q. | P/N BULK | M.Q.Q. |
|-----|-------------|-----|----------|--------|---------|--------|----------|--------|
| 1   | COVER       | 1   | PP GF30  | Grey   | 0101590 | 1      | 0301590  | 150    |
| 2   | COVER       | 2   | PP GF30  | Grey   | 0101550 | 1      | 0301550  | 200    |
| 3   | BRACKET     | 1   | PP GF30  | Grey   | 0101580 | 2      | 0301580  | 600    |
| 4   | BRACKET     | 2   | PP GF30  | Grey   | 0100699 | 2      | 0300699  | 400    |

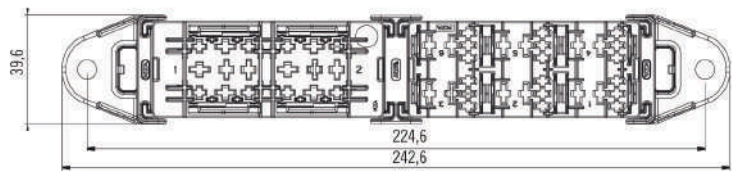




# FRAMES, BRACKETS & COVERS

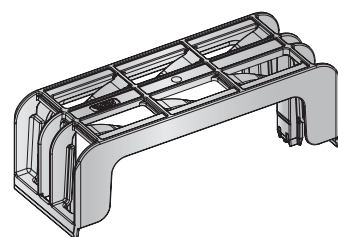


| IMG | DESCRIPTION | WAY | MATERIAL | COLOUR | P/N BULK | M.O.Q. |
|-----|-------------|-----|----------|--------|----------|--------|
| 1   | BRACKET     | 1   | PP GF30  | Grey   | 0301620  | 250    |



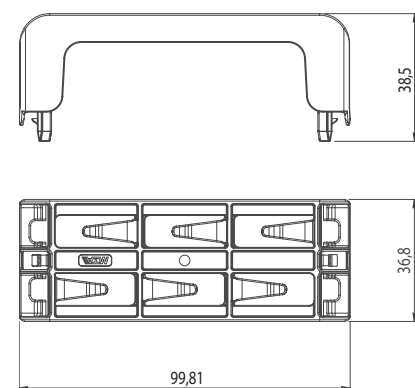


# FRAMES, BRACKETS & COVERS

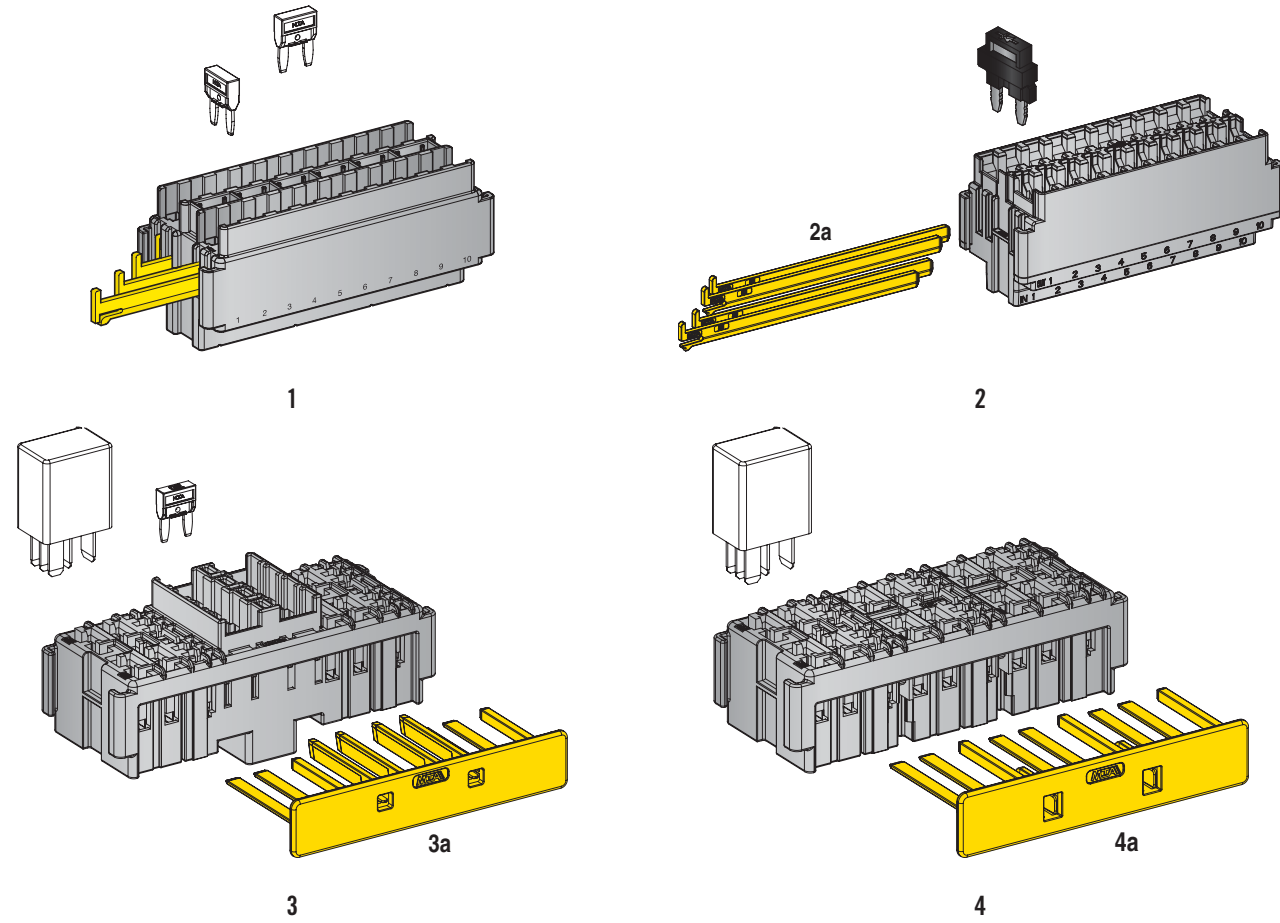


1

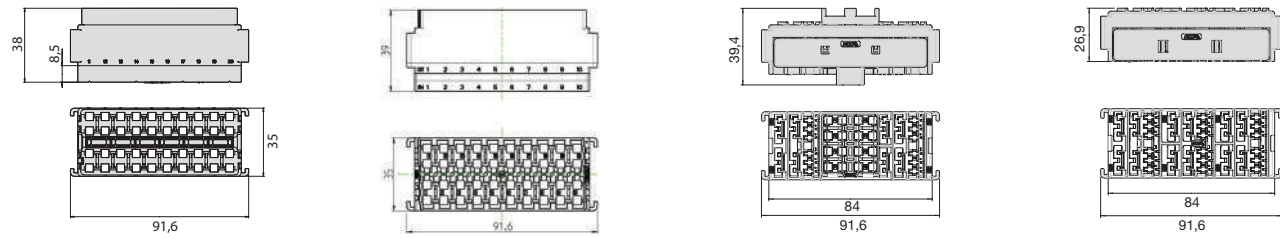
| IMG | DESCRIPTION | MATERIAL    | COLOUR | P/N BULK | M.O.Q. |
|-----|-------------|-------------|--------|----------|--------|
| 1   | COVER       | PA66 - GF13 | Grey   | 0301630  | 350    |



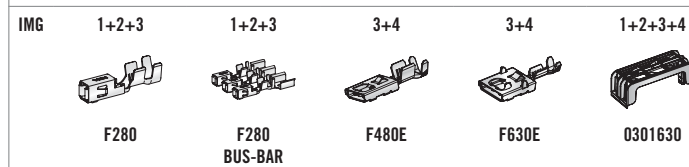
# MODULES



| IMG | DESCRIPTION               | WAY   | MATERIAL   | COLOUR | P/N BOX WITH S.LOCK | M.O.Q. | P/N BULK | M.O.Q. |
|-----|---------------------------|-------|------------|--------|---------------------|--------|----------|--------|
| 1   | MINIVAL MODULE            | 20    | PA66 MD25  | Grey   | 0101460             | 1      | 0301460  | 250    |
| 2   | DIODES/MINIVAL MODULE     | 20    | PA66 MD25  | Grey   | 0101640             | 1      | 0301640  | 230    |
| 2a  | SECONDARYLOCK             |       | PA66       | Yellow |                     |        | 0300793  | 7000   |
| 3   | MINIVAL/MICRORELAY MODULE | 8 + 4 | PA66 MD25  | Grey   | 0101564             | 1      | 0301564  | 132    |
| 3a  | SECONDARYLOCK             |       | PA66 GF 13 | Yellow |                     |        | 0301566  | 400    |
| 4   | MICRORELAY MODULE         | 6     | PA66 MD25  | Grey   | 0101484             | 1      | 0301484  | 198    |
| 4a  | SECONDARYLOCK             |       | PA66 GF 13 | Yellow |                     |        | 0301486  | 400    |

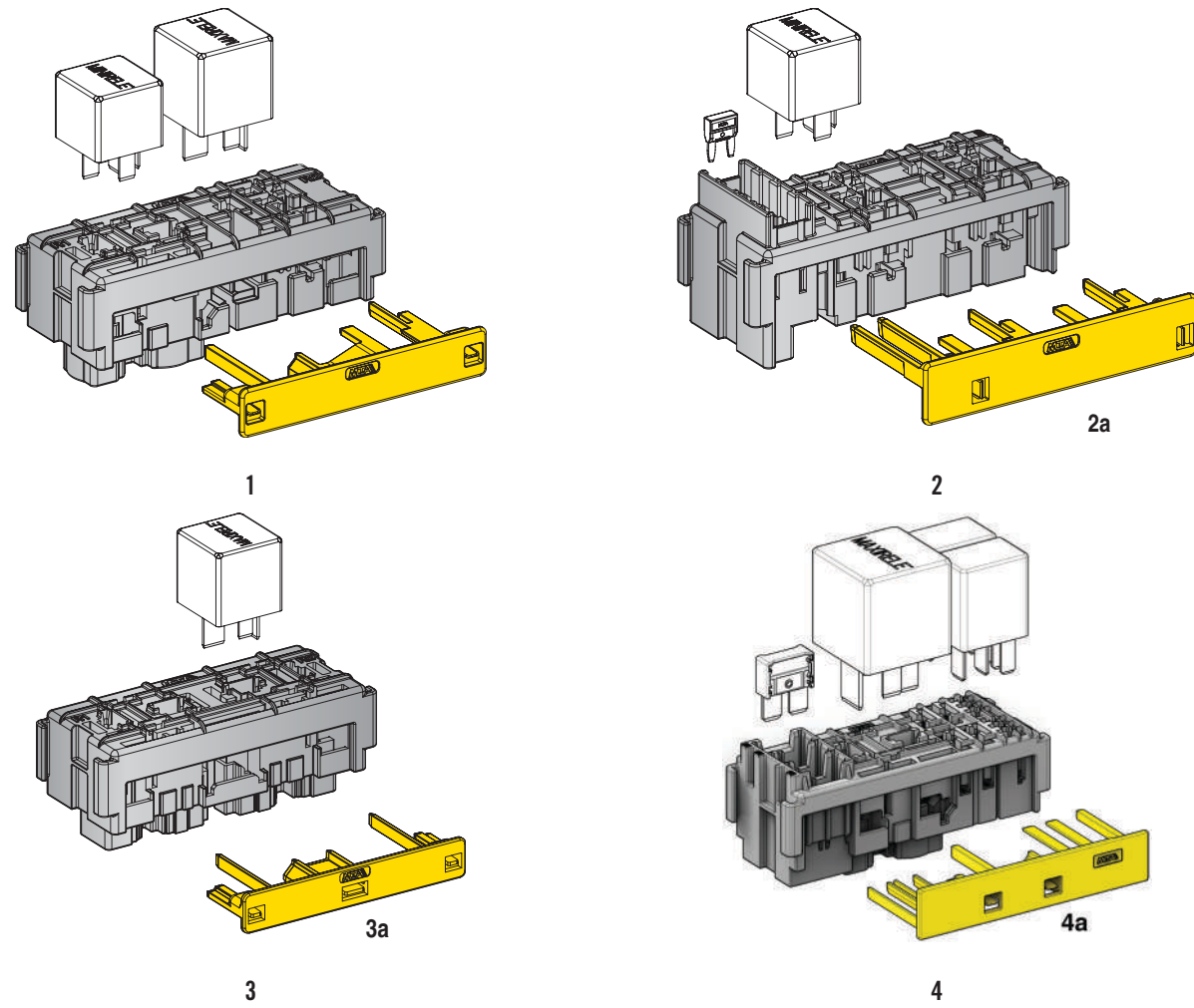


CONNECTIONS AND FIXINGS

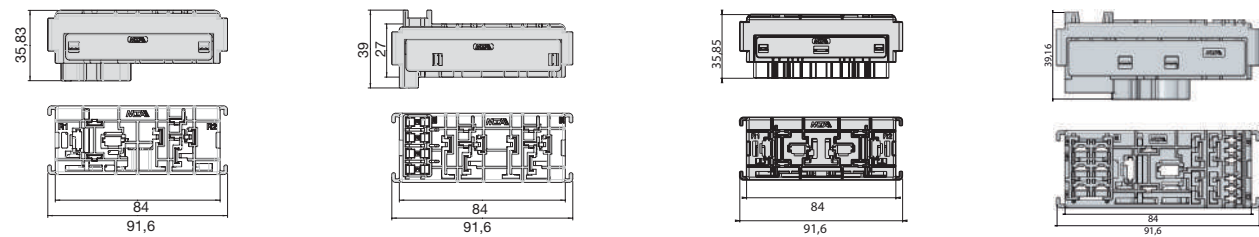




# MODULES



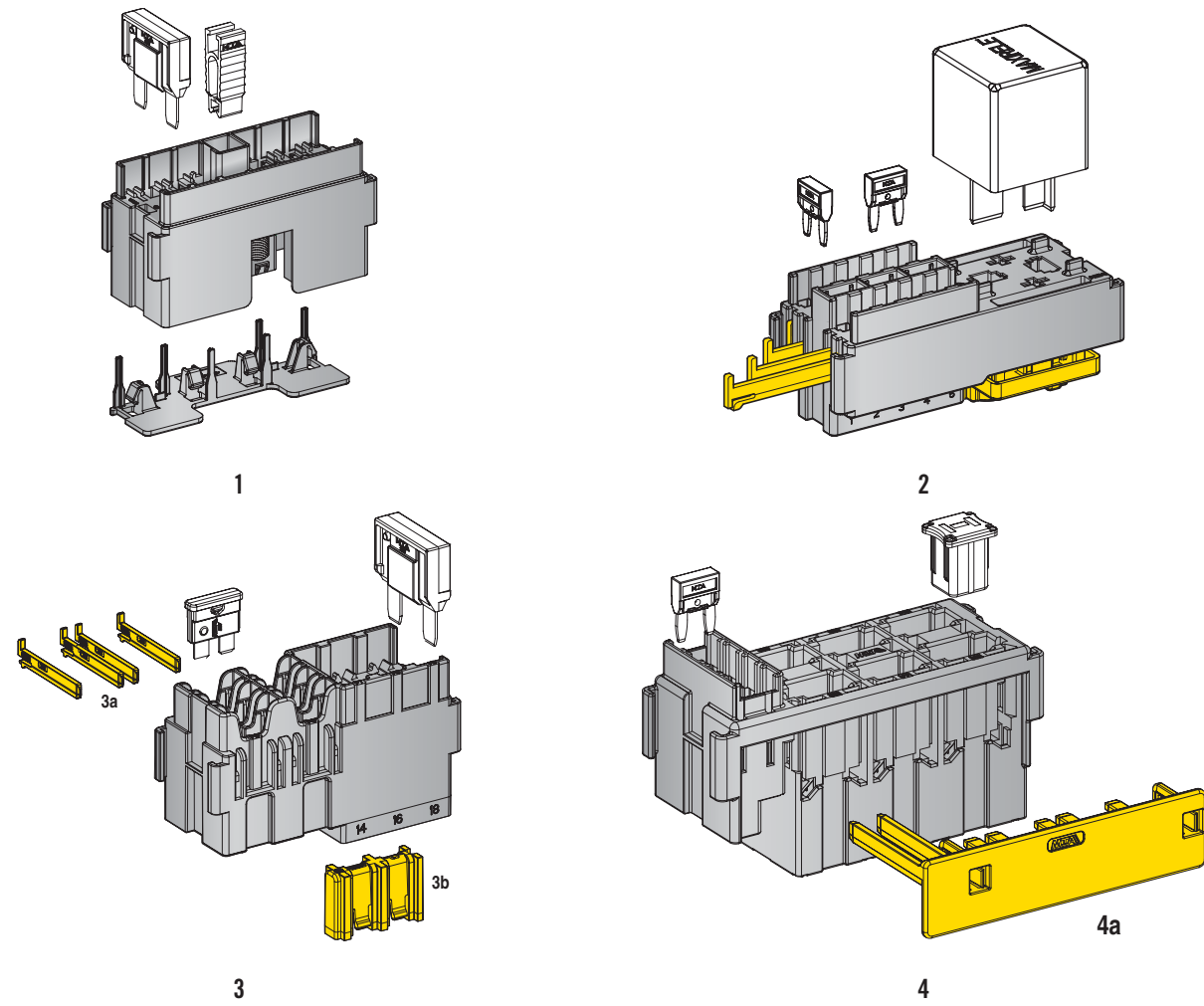
| IMG | DESCRIPTION                         | WAY       | MATERIAL   | COLOUR | P/N BOX WITH S.LOCK | M.O.Q. | P/N BULK | M.O.Q. |
|-----|-------------------------------------|-----------|------------|--------|---------------------|--------|----------|--------|
| 1   | MINI/MAXI RELAY MODULE              | 1 + 1     | PA66 MD25  | Grey   | 0101494             | 1      | 0301494  | 132    |
| 1a  | SECONDARYLOCK                       |           | PA66 GF 13 | Yellow |                     |        | 0301496  | 600    |
| 2   | MINIVAL/MINIRELAY MODULE            | 4 + 2     | PA66 MD25  | Grey   | 0101504             | 1      | 0301504  | 132    |
| 2a  | SECONDARYLOCK                       |           | PA66 GF 13 | Yellow |                     |        | 0301506  | 400    |
| 3   | MAXIRELAY MODULE                    | 2         | PA66 MD25  | Grey   | 0101660             | 1      | 0301660  | 132    |
| 3a  | SECONDARYLOCK                       |           | PA66 GF 13 | Yellow |                     |        | 0301661  | 600    |
| 4   | MAXICOMPACT/MAXI/MICRO RELAY MODULE | 3 + 1 + 2 | PA66 MD25  | Grey   | 0101695             | 1      | 0301695  | 132    |
| 4a  | SECONDARYLOCK                       |           | PA66 GF 13 | Yellow |                     |        | 0301696  | 400    |



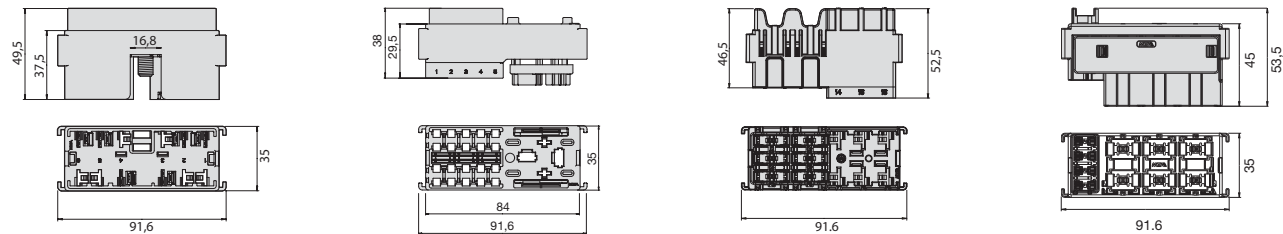
CONNECTIONS AND FIXINGS

| IMG | 1+3+4 | 1+2+3+4 | 2    | 2               | 4     | 1+2+3+4 |
|-----|-------|---------|------|-----------------|-------|---------|
|     |       |         |      |                 |       |         |
|     | F950  | F630E   | F280 | F280<br>BUS-BAR | F480E | 0301630 |

# MODULES



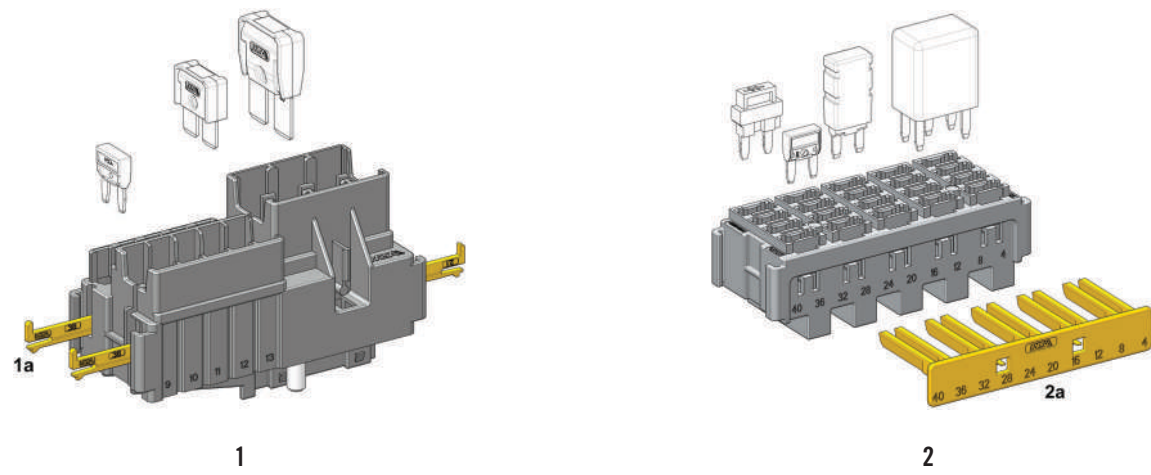
| IMG | DESCRIPTION                | WAY    | MATERIAL  | COLOUR | P/N BOX WITH S.LOCK | M.O.Q. | P/N BULK | M.O.Q. |
|-----|----------------------------|--------|-----------|--------|---------------------|--------|----------|--------|
| 1   | MAXIVAL MODULE             | 6      | PBT GF20  | Grey   | 0101470             | 1      | 0301470  | 162    |
| 2   | MINIVAL/MAXIRELAY MODULE   | 10 + 1 | PA66 MD25 | Grey   | 0101510             | 1      | 0301510  | 300    |
| 3   | MAXIVAL/UNIVAL MODULE      | 3 + 6  | PA66 MD25 | Grey   | 0101600             | 1      | 0301600  | 100    |
| 3a  | SECONDARY LOCK FOR UNIVAL  |        | PA66      | Yellow |                     |        | 0301601  | 6000   |
| 3b  | SECONDARY LOCK FOR MAXIVAL |        | PA66      | Yellow |                     |        | 0301602  | 2000   |
| 4   | MINIVAL/TYPE A1S MODULE    | 4 + 6  | PA66 MD25 | Grey   | 0101690             | 1      | 0301690  | 99     |
| 4a  | SECONDARY LOCK             |        | PA66 GF13 | Yellow |                     |        | 0301691  | 300    |



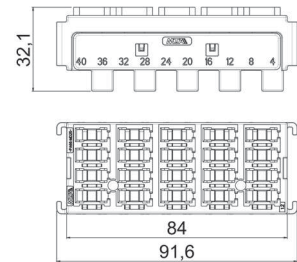
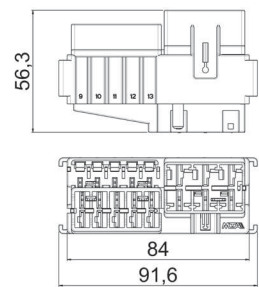
CONNECTIONS AND FIXINGS

| IMG | 1+3  | 2   | 2    | 2+4  | 2+4          | 3        | 3                | 4    | 1+2+3+4 |
|-----|------|-----|------|------|--------------|----------|------------------|------|---------|
|     |      |     |      |      |              |          |                  |      |         |
|     | F800 | SPT | F950 | F280 | F280 BUS-BAR | UNI F630 | UNI F630 BUS BAR | M630 | 0301630 |

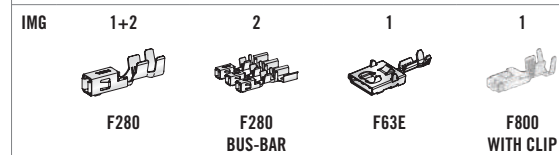
# MODULES



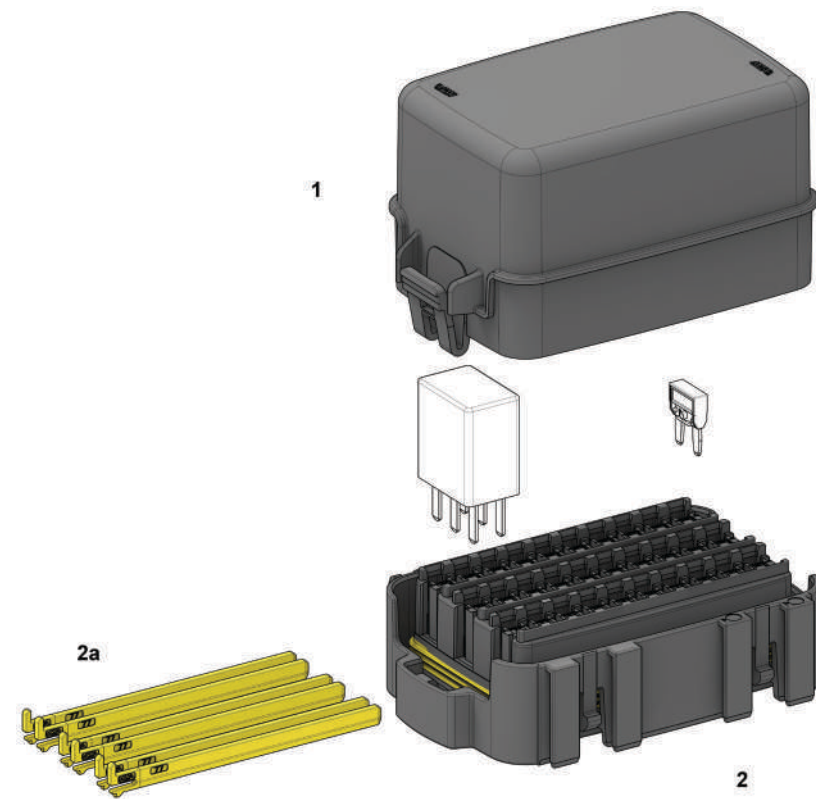
| IMG | DESCRIPTION  | WAY       | MATERIAL  | COLOUR | P/N BOX WITH S.LOCK | M.O.Q. | P/N BULK | M.O.Q. |
|-----|--|-----------|-----------|--------|---------------------|--------|----------|--------|
| 1   | MINIVAL/MAXICOMPACT/M8C MODULE                     | 5 + 5 + 3 | PA66 MD25 | Grey   | 0101697             | 1      | 0301697  | TBD    |
| 1a  | SECONDARYLOCK                                      |           | PA 66     | Yellow |                     |        | 0300564  | 486    |
| 2   | MINIVAL/CIRCUIT BRAKERS/DIODES<br>MICRO 280 RELAYS | 20<br>6   | PA66 MD25 | Grey   | 0101698             | 1      | 0301698  | 160    |
| 2a  | SECONDARYLOCK                                      |           | PA66 GF13 | Yellow |                     |        | 0301699  | 330    |



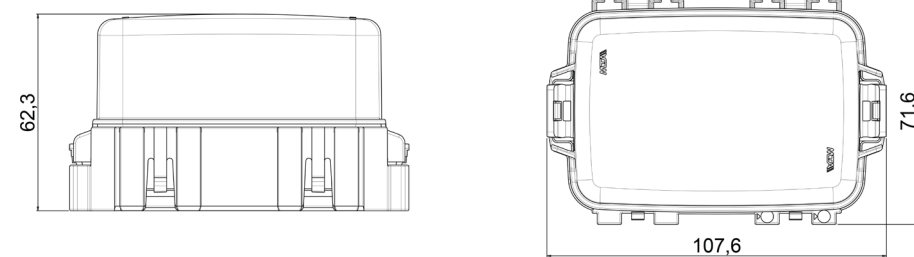
**CONNECTIONS AND FIXINGS**



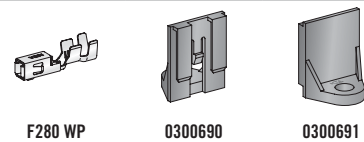
# FOOT PRINT WP MODULE



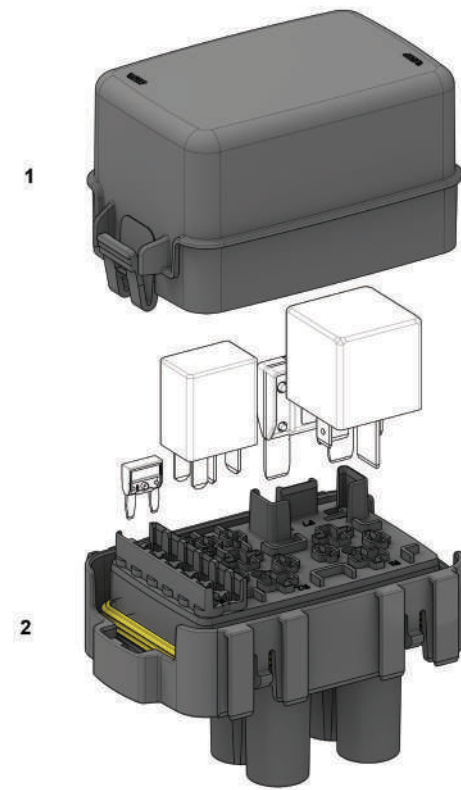
| IMG | DESCRIPTION                                     | MATERIAL  | COLOUR | P/N BOX WITH S.LOCK | M.Q.Q. | P/N BULK | M.Q.Q. |
|-----|---|-----------|--------|---------------------|--------|----------|--------|
| 1   | COVER   | PP GF30   | Black  | 0101371             | 1      | 0301371  | 100    |
| 2   | 30 MINIVAL or 10 MICRORELAY WP FOOTPRINT MODULE | PA66 MD25 | Black  | 0101370             | 1      | 0301370  | 60     |
| 2a  | SECONDARY LOCK                                  | PA 66     | Yellow |                     |        | 0301372  | 1500   |



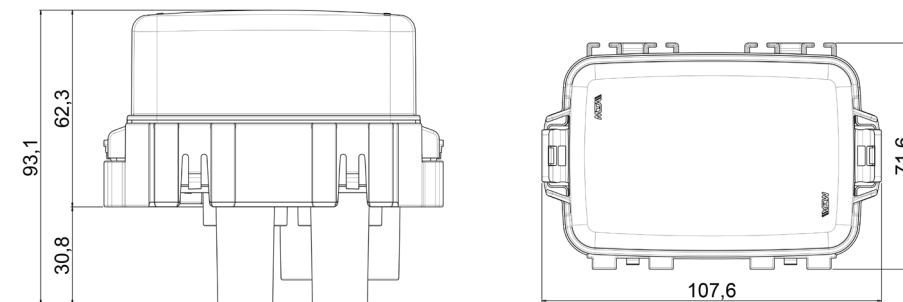
CONNECTIONS AND FIXINGS



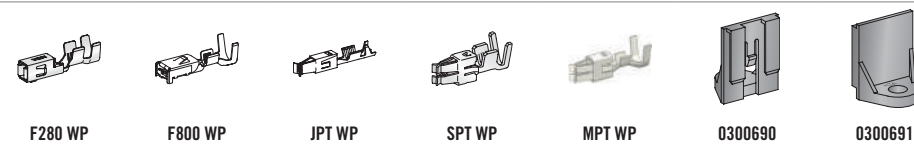
# MINI/MAXIVAL - MAXI/MICRO RELAY WP MODULE



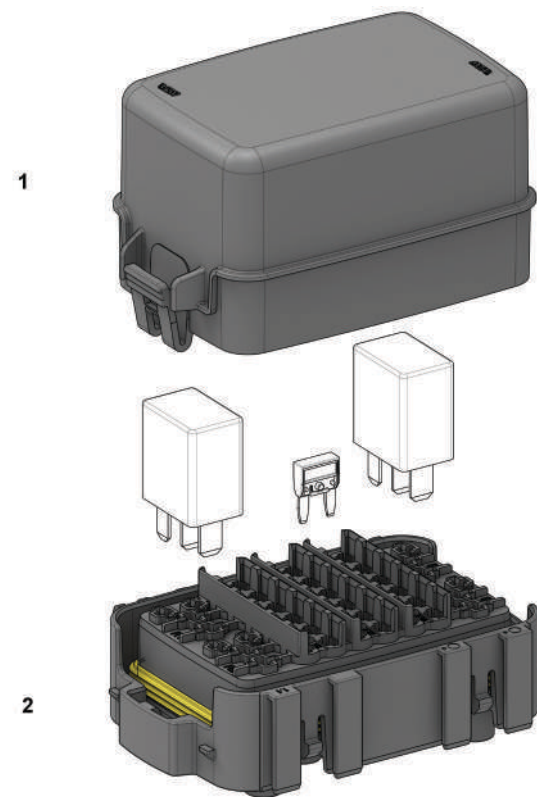
| IMG | DESCRIPTION   | MATERIAL  | COLOUR | P/N BOX | M.O.Q. | P/N BULK | M.O.Q. |
|-----|---|-----------|--------|---------|--------|----------|--------|
| 1   | COVER   | PP GF30   | Black  | 0101371 | 1      | 0301371  | 100    |
| 2   | 6 MINIVAL + 1 MAXIVAL + 2 MAXIRELAY + 1 MICRORELAY MODULE | PA66 MD25 | Black  | 0101491 | 1      | 0301491  | 60     |



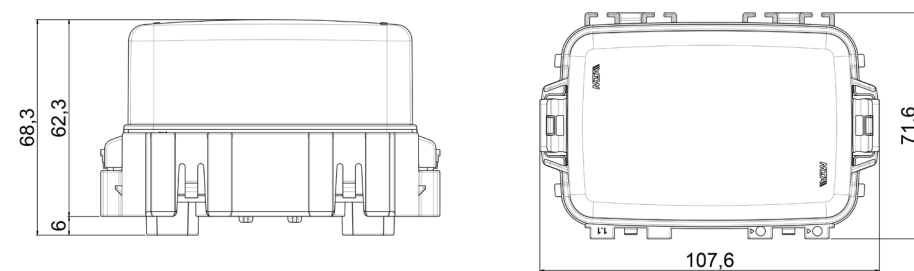
CONNECTIONS AND FIXINGS



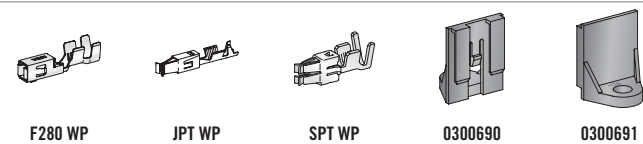
# MINIVAL - MICRO RELAY WP MODULE



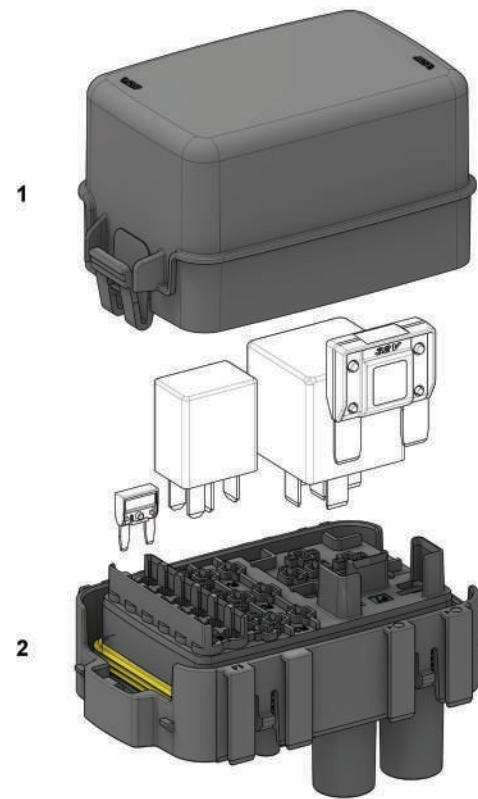
| IMG | DESCRIPTION                      | MATERIAL  | COLOUR | P/N BOX | M.Q.Q. | P/N BULK | M.Q.Q. |
|-----|----------------------------------|-----------|--------|---------|--------|----------|--------|
| 1   | COVER                            | PP GF30   | Black  | 0101371 | 1      | 0301371  | 100    |
| 2   | 18 MINIVAL + 4 MICRORELAY MODULE | PA66 MD25 | Black  | 0101568 | 1      | 0301568  | 48     |



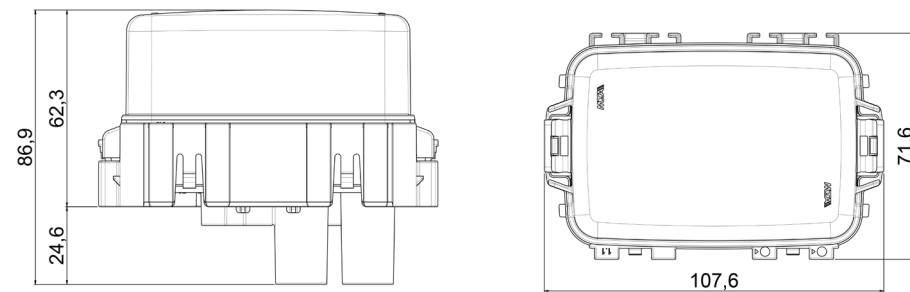
CONNECTIONS AND FIXINGS



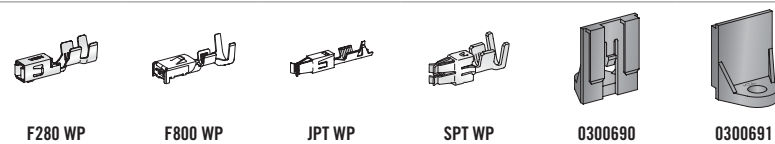
# MINI/MAXIVAL - MINI/MICRO RELAY WP MODULE



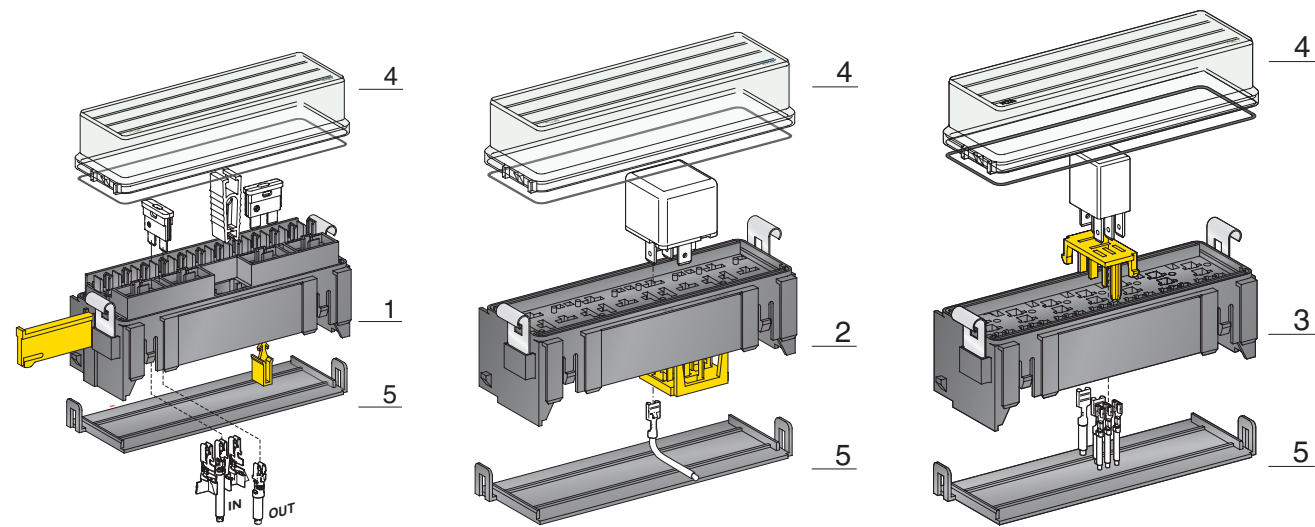
| IMG | DESCRIPTION  | MATERIAL  | COLOUR | P/N BOX | M.O.Q. | P/N BULK | M.O.Q. |
|-----|--|-----------|--------|---------|--------|----------|--------|
| 1   | COVER  | PP GF30   | Black  | 0101371 | 1      | 0301371  | 100    |
| 2   | 6 MINIVAL + 1 MAXIVAL + 1 MINIRELAY + 3 MICRORELAY | PA66 MD25 | Black  | 0101569 | 1      | 0301569  | 60     |



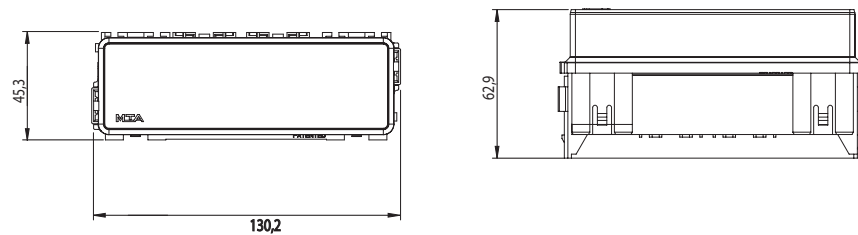
CONNECTIONS AND FIXINGS



# FUSE BOXES



| IMG | DESCRIPTION        | WAY | MATERIAL  | COLOUR    | P/N<br>KIT COVER, BRACKETS<br>AND TERMINALS | M.O.Q. | P/N<br>BULK | M.O.Q. |
|-----|--------------------|-----|-----------|-----------|---|--------|-------------|--------|
| 1   | UNIVAL HOLDER      | 16  | PA66 GF25 | ■ Black   | 0100655                                     | 16     | 0300650     | 36     |
| 2   | MINI RELAY HOLDER  | 4   | PA66 GF25 | ■ Black   | 0100665                                     | 16     | 0300660     | 72     |
| 3   | MICRO RELAY HOLDER | 7   | PA66 GF25 | ■ Black   | 0100705                                     | 16     | 0300700     | 100    |
| 4   | COVER WITH GASKET  |     | PC        | □ Natural |   |        | 0300670     | 72     |
| 5   | BOTTOM COVER       |     | PA66      | ■ Black   |   |        | 0300680     | 72     |



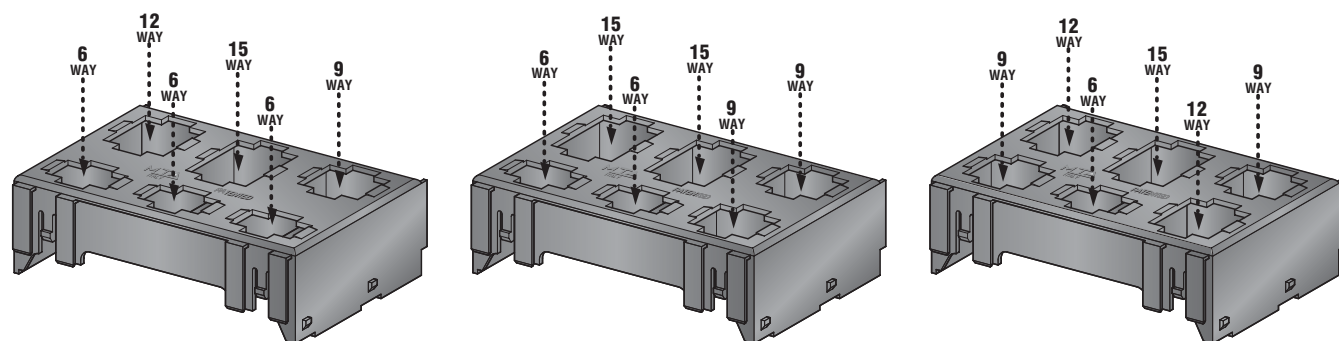
## CONNECTIONS AND FIXINGS

| IMG     | 1+2+3   | 1+2+3               | 1        | 1                                 | 2                      | 3                             | 3 | 1+2+3   |
|---------|---------|---------------------|----------|-----------------------------------|------------------------|-------------------------------|---|---------|
|         |         |                     |          |                                   |                        |                               |   |         |
| 0300690 | 0300691 | UNI F630<br>BUS-BAR | UNI F630 | FASTON F630 WITH<br>LOCKING NOTCH | FASTON F480<br>PASSO 5 | FASTON F630<br>THICKNESS 0,35 |   | 0300856 |

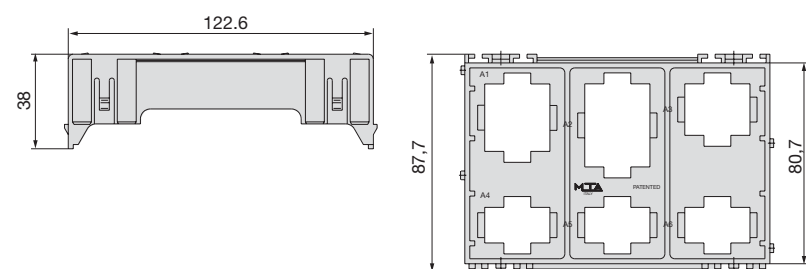




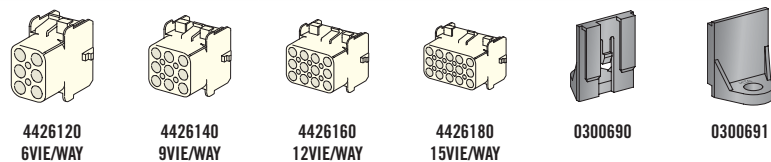
# CONNECTOR BOX



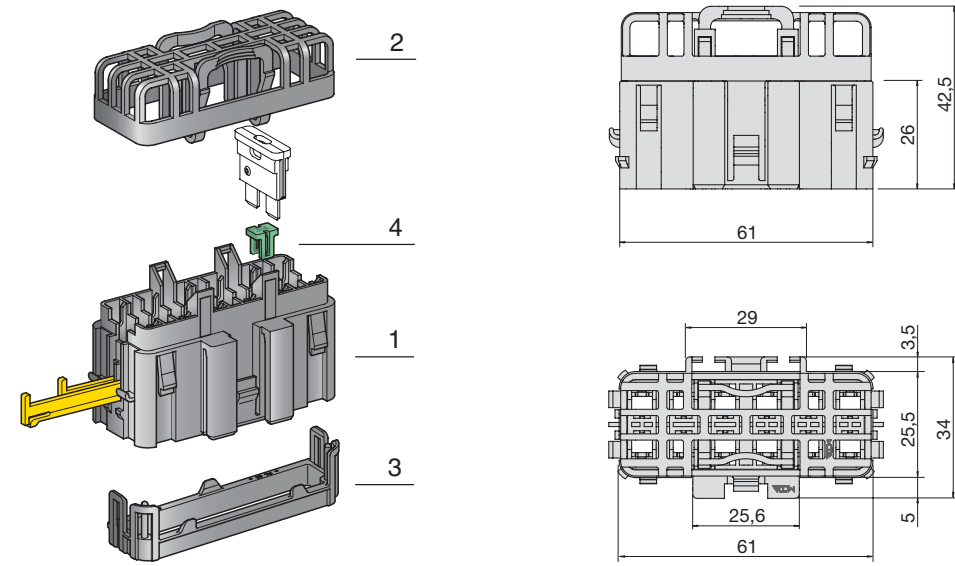
| IMG | DESCRIPTION   | WAY | MATERIAL  | COLOUR | P/N BULK | M.O.Q. |
|-----|---------------|-----|-----------|--------|----------|--------|
| 1   | CONNECTOR BOX | 6   | PA66 GF30 | Black  | 0300681  | 125    |
| 2   | CONNECTOR BOX | 6   | PA66 GF30 | Black  | 0300683  | 125    |
| 3   | CONNECTOR BOX | 6   | PA66 GF30 | Black  | 0300684  | 125    |



### CONNECTIONS AND FIXINGS

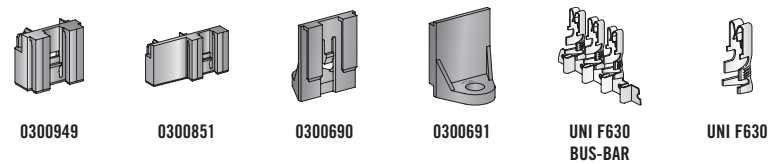


## 6-WAY U.P.L.



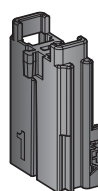
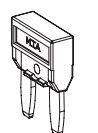
| IMG | DESCRIPTION                               | WAY | MATERIAL  | COLOUR | P/N KIT WITH TERMINALS | M.Q.Q. | P/N BULK | M.Q.Q. |
|-----|---|-----|-----------|--------|------------------------|--------|----------|--------|
| 1   | HOUSING                                   | 6   | PA66 GF25 | Black  |                        |        | 0303006  | 600    |
| 2   | COVER                                     |     | PA66 GF30 | Black  |                        |        | 0303009  | 600    |
| 3   | WIRE'S COVER                              |     | PA66      | Black  |                        |        | 0303008  | 1000   |
| 4   | IDENTIFICATION INSERT 3 AMP               |     | PBT GF20  | Violet |                        |        | 0303003  | 500    |
|     | IDENTIFICATION INSERT 5 AMP               |     | PBT GF20  | Beige  |                        |        | 0303005  | 500    |
|     | IDENTIFICATION INSERT 7,5 AMP             |     | PBT GF20  | Brown  |                        |        | 0303007  | 500    |
|     | IDENTIFICATION INSERT 10 AMP              |     | PBT GF20  | Red    |                        |        | 0303010  | 500    |
|     | IDENTIFICATION INSERT 15 AMP              |     | PBT GF20  | Blue   |                        |        | 0303015  | 500    |
|     | IDENTIFICATION INSERT 20 AMP              |     | PBT GF20  | Yellow |                        |        | 0303020  | 500    |
|     | IDENTIFICATION INSERT 25 AMP              |     | PBT GF20  | White  |                        |        | 0303025  | 500    |
|     | IDENTIFICATION INSERT 30 AMP              |     | PBT GF20  | Green  |                        |        | 0303030  | 500    |
|     | KIT WITH COVER AND TERMINALS AND BRACKETS |     |           |        | 0103000                | 1      |          |        |

### CONNECTIONS AND FIXINGS

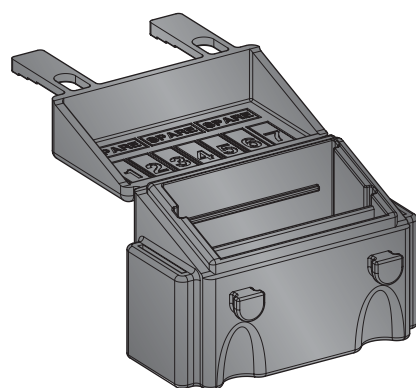




# SML

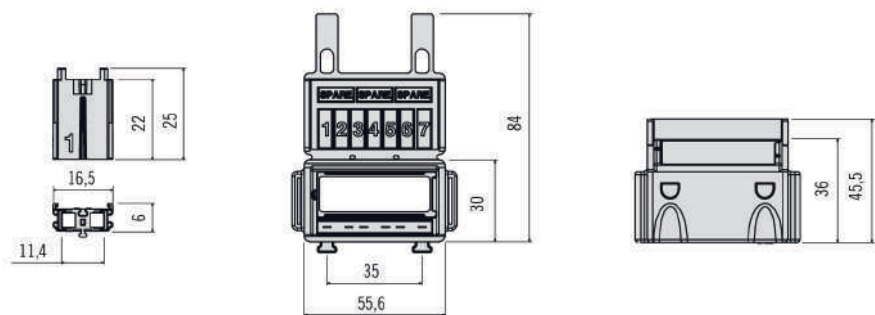


1



2

| IMG | DESCRIPTION        | WAY | MATERIAL    | COLOUR  | P/N KIT WITH TERMINALS | M.O.Q. | P/N BULK | M.O.Q. |
|-----|--------------------|-----|-------------|---------|------------------------|--------|----------|--------|
| 1   | HOUSING            | 1   | PA66 GF30   | ■ Black |                        |        | 0301420  | 2800   |
| 2   | MODULE FOR MINIVAL | 7   | EPDM-60     | ■ Black |                        |        | 0301430  | 400    |
|     | MODULE FOR MINIVAL | 7   | EPDM-60-D15 | ■ Black |                        |        | 0301431  | 400    |
|     | KIT WITH TERMINALS |     |             |         | 0301435                | 1      |          |        |

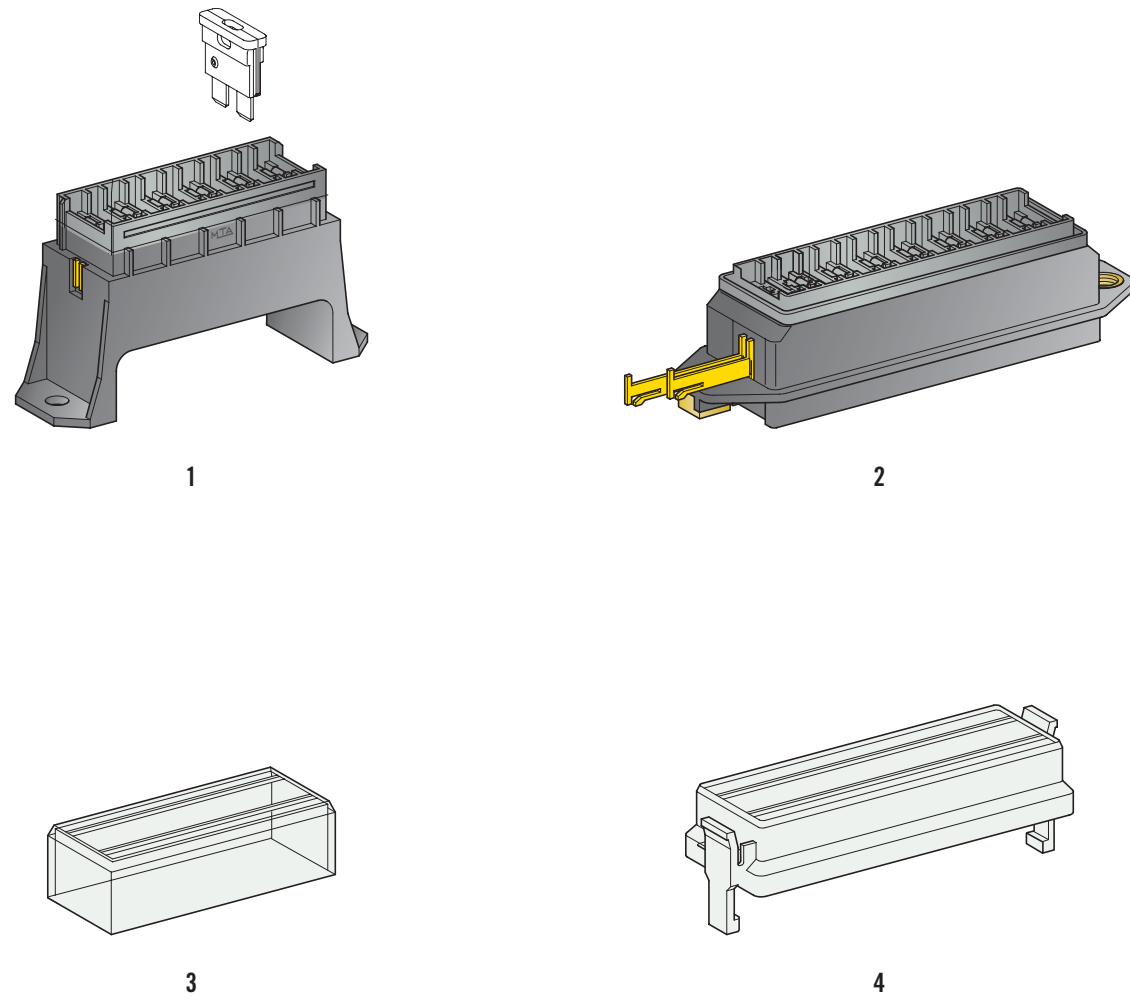


### CONNECTIONS AND FIXINGS

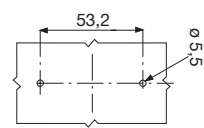


F280

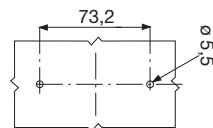
## AXIAL EXITS



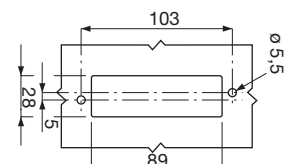
| IMG | DESCRIPTION             | WAY | MATERIAL  | COLOUR    | P/N KIT WITH COVER AND TERMINALS | M.O.Q. | P/N BULK | M.O.Q. |
|-----|-------------------------|-----|-----------|-----------|----------------------------------|--------|----------|--------|
| 1   | HOUSING WITH TERMINALS  | 4   | PA66 GF30 | ■ Black   | 0100540                          | 10     | 0300540  | 500    |
|     | HOUSING W/OUT TERMINALS | 4   | PA66 GF30 | ■ Black   |                                  |        | 0300541  | 500    |
|     | HOUSING WITH TERMINALS  | 6   | PA66 GF30 | ■ Black   | 0100560                          | 10     | 0300560  | 500    |
|     | HOUSING W/OUT TERMINALS | 6   | PA66 GF30 | ■ Black   |                                  |        | 0300561  | 500    |
| 2   | HOUSING WITH TERMINALS  | 8   | PA66 GF30 | ■ Black   | 0100580                          | 10     | 0300580  | 300    |
|     | HOUSING W/OUT TERMINALS | 8   | PA66 GF30 | ■ Black   |                                  |        | 0300581  | 300    |
| 3   | COVER                   | 4   | PC        | □ Natural |                                  |        | 0300542  | 500    |
|     | COVER                   | 6   | PC        | □ Natural |                                  |        | 0300562  | 500    |
| 4   | COVER WITH GASKET       | 8   | PA 12     | □ Natural |                                  |        | 0300582  | 150    |



4 WAY

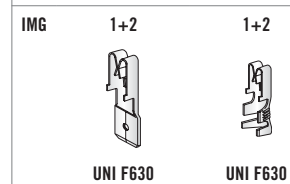


6 WAY



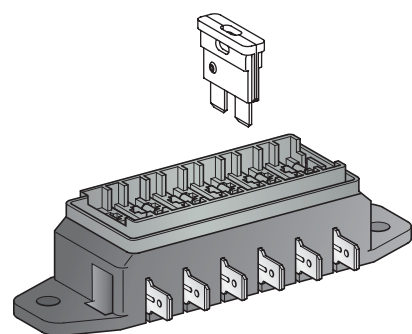
8 WAY

CONNECTIONS AND FIXINGS

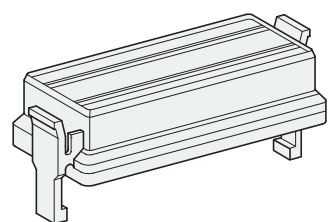




# LATERAL EXITS



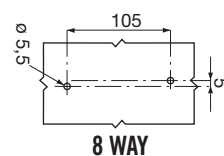
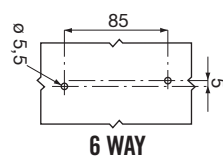
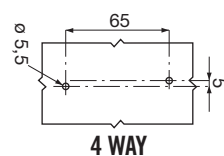
1



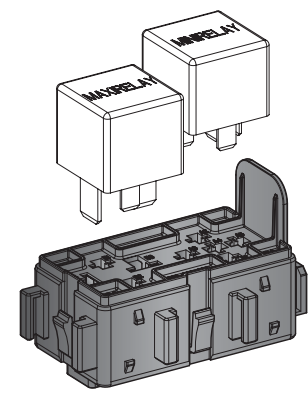
2



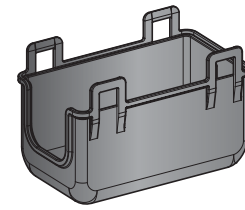
| IMG | DESCRIPTION            | WAY | MATERIAL  | COLOUR    | P/N KIT WITH COVER | M.O.Q. | P/N BULK | M.O.Q. |
|-----|------------------------|-----|-----------|-----------|--------------------|--------|----------|--------|
| 1   | HOUSING WITH TERMINALS | 4   | PA66 GF30 | ■ Black   | 0100610            | 10     | 0300610  | 500    |
|     | HOUSING WITH TERMINALS | 6   | PA66 GF30 | ■ Black   | 0100600            | 10     | 0300600  | 400    |
|     | HOUSING WITH TERMINALS | 8   | PA66 GF30 | ■ Black   | 0100590            | 10     | 0300590  | 300    |
| 2   | COVER WITH GASKET      | 4   | PA12      | □ Natural |                    |        | 0300612  | 500    |
|     | COVER WITH GASKET      | 6   | PA12      | □ Natural |                    |        | 0300602  | 100    |
|     | COVER WITH GASKET      | 8   | PA12      | □ Natural |                    |        | 0300582  | 150    |



# RELAY HOLDER

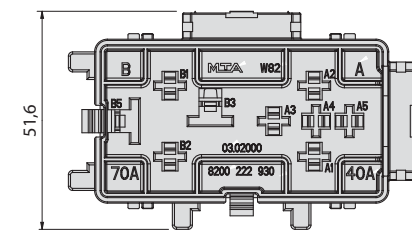
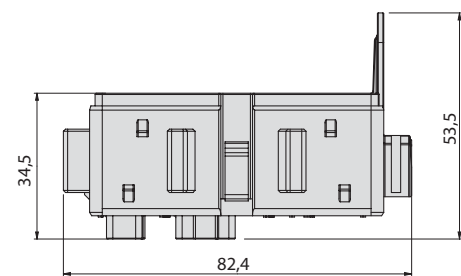


1



2

| IMG | DESCRIPTION                    | WAY | MATERIAL | COLOUR | P/N BULK | M.O.Q. |
|-----|--------------------------------|-----|----------|--------|----------|--------|
| 1   | HOLDER FOR MAXI AND MINI RELAY | 2   | PBT GF20 | Black  | 0302000  | 240    |
| 2   | UPPER AND BOTTOM COVER         |     | PP       | Black  | 0302001  | 240    |



**CONNECTIONS AND FIXINGS**

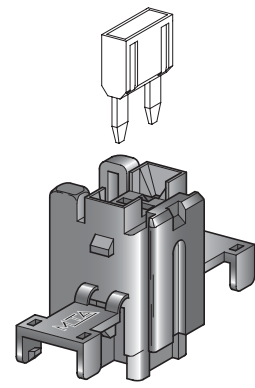




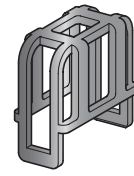
# FUSE/RELAY HOLDERS



# MINIVAL® IN-LINE HOLDER

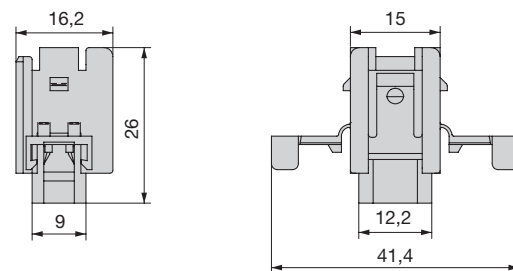


1

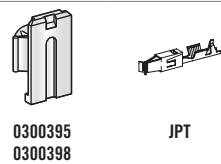


2

| IMG | DESCRIPTION        | WAY | MATERIAL | COLOUR | P/N BOX | M.O.Q. | P/N BULK | M.O.Q. | P/N BULK | M.O.Q. |
|-----|--------------------|-----|----------|--------|---------|--------|----------|--------|----------|--------|
| 1   | HOUSING            | 1   | PA66     | Black  | 0101400 | 5      | 0301400  | 200    | 0301410  | 2000   |
| 2   | COVER              |     | PA66     | Black  | 0100416 | 5      |          |        | 0300416  | 2000   |
|     | KIT WITH TERMINALS |     |          |        | 3050152 | 20     |          |        |          |        |

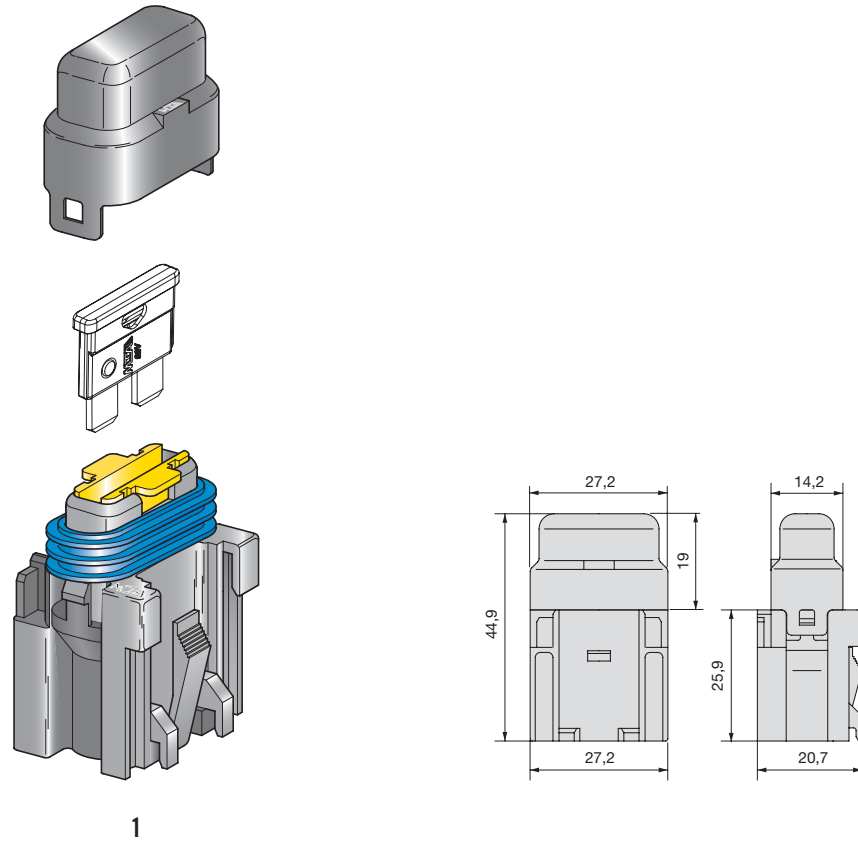


CONNECTIONS AND FIXINGS





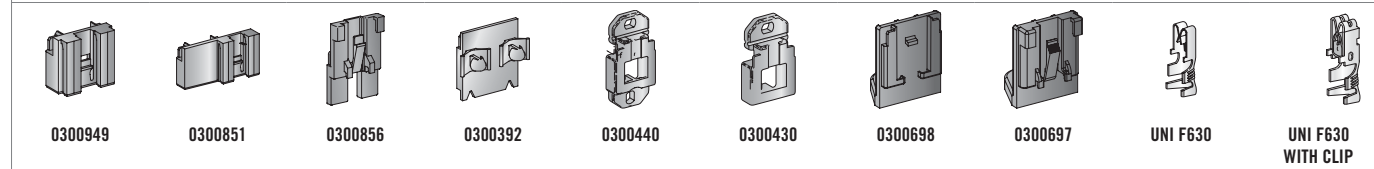
# SPLASH PROOF UNIVAL®HOLDER



1

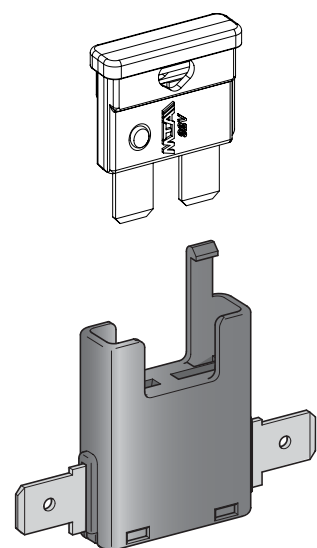
| IMG. | DESCRIPTION                                   | WAY | MATERIAL | COLOUR  | P/N BOX | M.O.Q. | P/N BOX | M.O.Q. | P/N BULK | M.O.Q. |
|------|---|-----|----------|---------|---------|--------|---------|--------|----------|--------|
| 1    | S.P. HOLDER+ COVER<br>+ SECONDARYLOCK 1 AMP   | 1   | PA66     | Black   |         |        |         |        | 0301301  | 1200   |
|      | + SECONDARYLOCK 5 AMP                         |     | PBT GF20 | Black   |         |        | 0302305 | 100    | 0301305  | 1200   |
|      | + SECONDARYLOCK 7,5 A                         |     | PBT GF20 | Beige   |         |        |         |        | 0301307  | 1200   |
|      | + SECONDARYLOCK 10 AMP                        |     | PBT GF20 | Brown   |         |        |         |        | 0301310  | 1200   |
|      | + SECONDARYLOCK 15 AMP                        |     | PBT GF20 | Red     |         |        | 0302310 | 100    | 0301315  | 1200   |
|      | + SECONDARYLOCK 20 AMP                        |     | PBT GF20 | Blue    |         |        | 0302315 | 100    | 0301315  | 1200   |
|      | + SECONDARYLOCK 25 AMP                        |     | PBT GF20 | Yellow  | 0101320 | 50     | 0302320 | 100    | 0301320  | 1200   |
|      | + SECONDARYLOCK 30 AMP                        |     | PBT GF20 | Natural |         |        | 0302325 | 100    | 0301325  | 1200   |
|      | + SECONDARYLOCK 30 AMP                        |     | PBT GF20 | Green   |         |        | 0302330 | 100    | 0301330  | 1200   |
|      | KIT WITH TERMINALS<br>GASKET AND FIXING PLATE |     |          |         | 3050153 | 1      |         |        |          |        |

CONNECTIONS AND FIXINGS





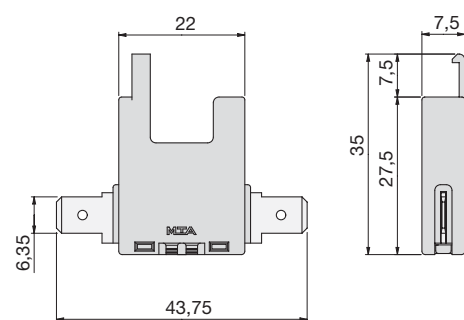
# UNIVAL®NKA HOLDER



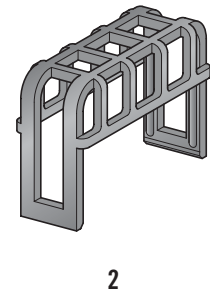
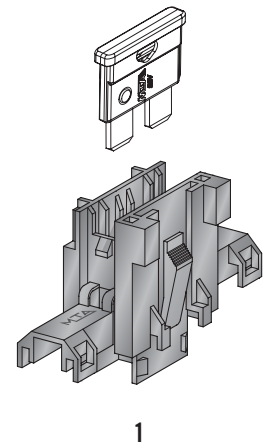
1



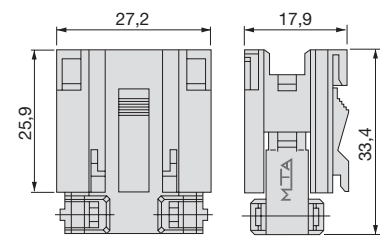
| IMG | DESCRIPTION    | WAY | MATERIAL | COLOUR | P/N BOX | M.O.Q. | P/N BULK | M.O.Q. |
|-----|----------------|-----|----------|--------|---------|--------|----------|--------|
| 1   | NKA FUSEHOLDER | 1   | PA66     | Black  | 0100345 | 50     | 0300345  | 2000   |



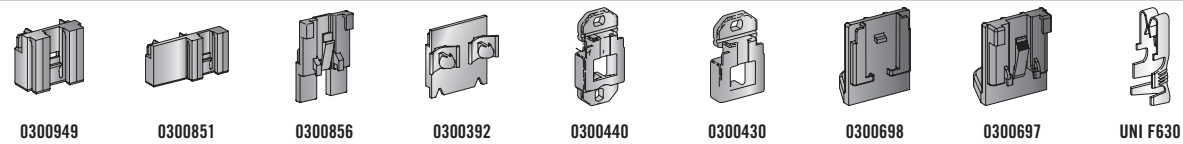
# UNIVAL® HOLDER



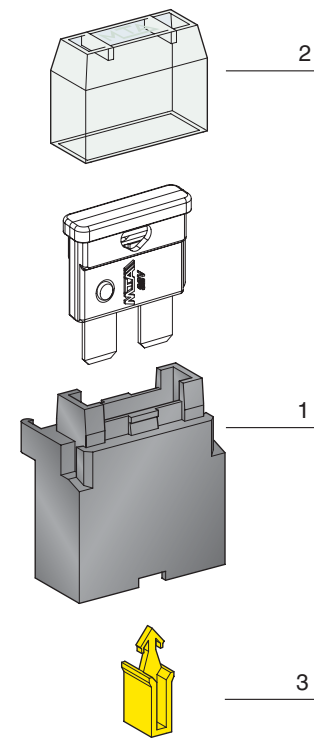
| IMG | DESCRIPTION | WAY | MATERIAL  | COLOUR | P/N BOX | M.Q.Q. | P/N BULK | M.Q.Q. |
|-----|-------------|-----|-----------|--------|---------|--------|----------|--------|
| 1   | HOLDER      | 1   | PA66      | Black  | 0100400 | 125    | 0300400  | 500    |
|     | HOLDER      | 1   | PA66      | Beige  |         |        | 0300401  | 500    |
|     | HOLDER      | 1   | PA66      | Brown  |         |        | 0300402  | 500    |
|     | HOLDER      | 1   | PA66      | Red    |         |        | 0300403  | 500    |
|     | HOLDER      | 1   | PA66      | Blue   |         |        | 0300404  | 500    |
|     | HOLDER      | 1   | PA66      | Yellow |         |        | 0300405  | 500    |
|     | HOLDER      | 1   | PA66      | White  |         |        | 0300406  | 500    |
|     | HOLDER      | 1   | PA66      | Green  |         |        | 0300407  | 500    |
| 2   | COVER       |     | PA66 GF30 | Black  | 0100415 | 25     | 0300415  | 1000   |



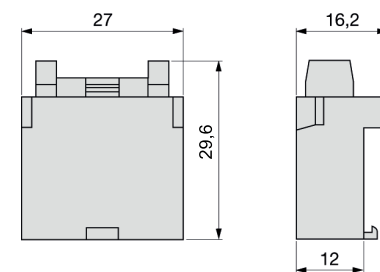
CONNECTIONS AND FIXINGS



# UNIVAL® HOLDER



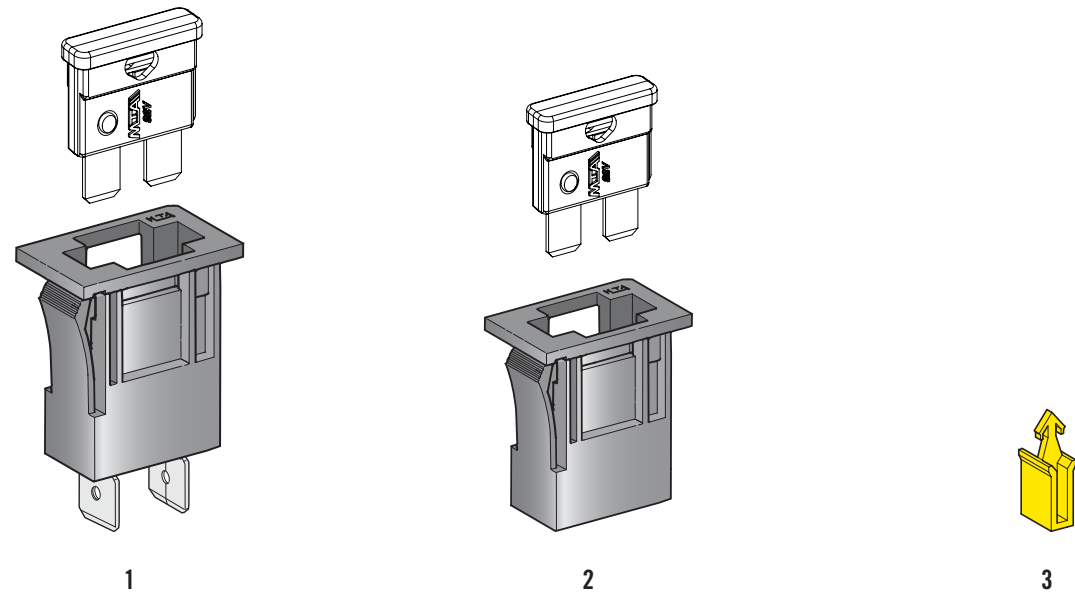
| IMG | DESCRIPTION   | WAY | MATERIAL | COLOUR   | P/N BOX              | M.Q.Q. | P/N BULK | M.Q.Q. |
|-----|---|-----|----------|----------|----------------------|--------|----------|--------|
| 1   | HOLDER WITH TERMINALS                                   | 1   | PA66     | ■ Black  | 0100351              | 250    | 0300351  | 1250   |
|     | HOLDER WITH SECONDARY LOCK WITHOUT TERMINALS            | 1   | PA66     | ■ Black  |                      |        | 0300354  | 1000   |
|     | HOLDER WITH TERMINALS AND CABLES                        | 1   | PA66     | ■ Black  | 0100350              | 25     |          |        |
| 2   | COVER   |     | PC       | □ Clear  | 0100359              | 250    | 0300359  | 500    |
| 3   | SECONDARY LOCK  |     | PA66     | ■ Yellow |                      |        | 0300357  | 250    |
|     | KIT WITH COVER, TERMINALS<br>FIXING PLATE AND EXTRACTOR |     |          |          | 0100353<br>(Blister) | 20     |          |        |



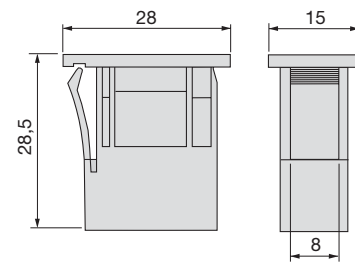
CONNECTIONS AND FIXINGS



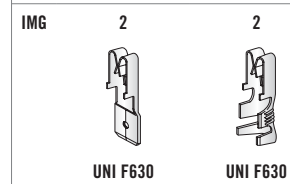
# UNIVAL® INSERTABLE HOLDER



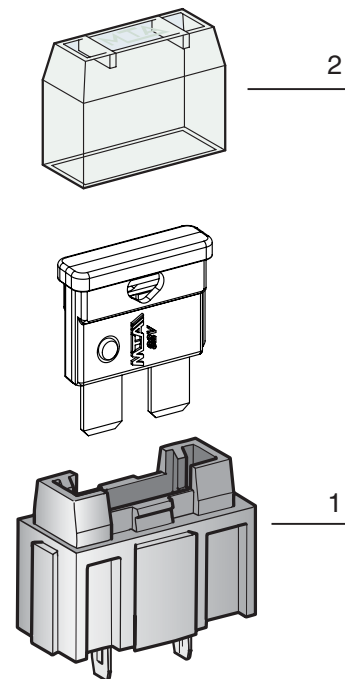
| IMG | DESCRIPTION              | WAY | MATERIAL  | COLOUR | P/N BOX | M.Q.Q. | P/N BULK | M.Q.Q. |
|-----|--------------------------|-----|-----------|--------|---------|--------|----------|--------|
| 1   | HOLDER WITH TERMINALS    | 1   | PA66 GF25 | Black  | 0100330 | 25     | 0300330  | 500    |
| 2   | HOLDER WITHOUT TERMINALS | 1   | PA66 GF25 | Black  |         |        | 0300331  | 1000   |
| 3   | SECONDARYLOCK            |     | PA66      | Yellow |         |        | 0300357  | 250    |



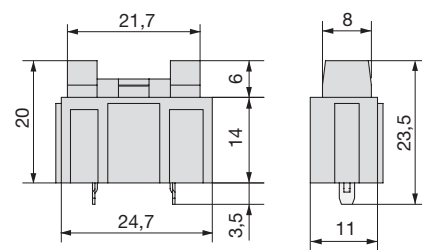
CONNECTIONS AND FIXINGS



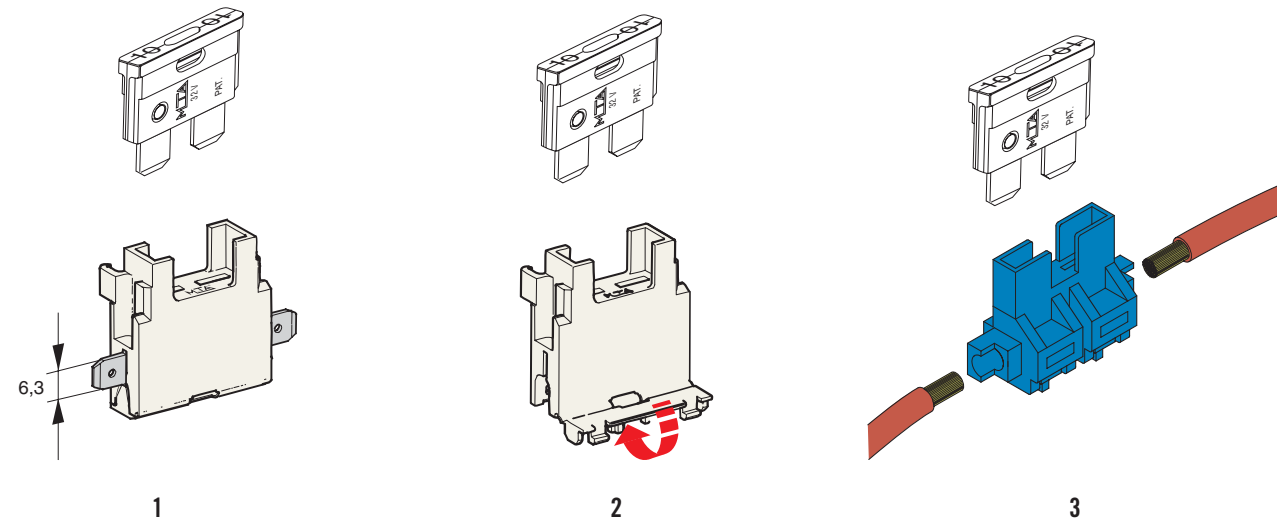
# UNIVAL®PCB HOLDER



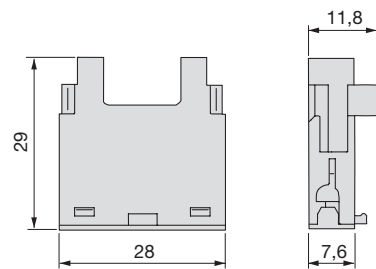
| IMG | DESCRIPTION | WAY | MATERIAL  | COLOUR    | P/N BOX | M.Q.Q. | P/N BULK | M.Q.Q. |
|-----|-------------|-----|-----------|-----------|---------|--------|----------|--------|
| 1   | HOLDER      | 1   | PA66 GF30 | ■ Black   | 0100420 | 5      | 0300420  | 1000   |
| 2   | COVER       | 1   | PC        | □ Natural | 0100359 | 250    | 0300359  | 500    |



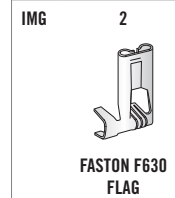
# UNIVAL®HOLDER



| IMG | DESCRIPTION                          | MATERIAL | P/N BOX | M.Q.Q. | P/N BULK | M.Q.Q. |
|-----|--------------------------------------|----------|---------|--------|----------|--------|
| 1   | IN LINE FUSEHOLDER WITH TERMINALS    | PA66     | 0100341 | 250    | 0300341  | 1000   |
| 2   | IN LINE FUSEHOLDER WITHOUT TERMINALS | PA66     |         |        | 0300342  | 2500   |
| 3   | QUICK LOCK FUSEHOLDER                | PA66     | 0100334 | 25     |          |        |

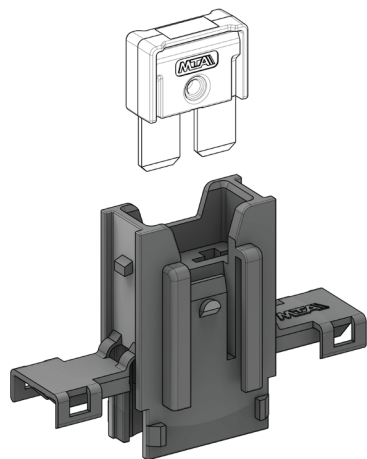


**CONNECTIONS AND FIXINGS**

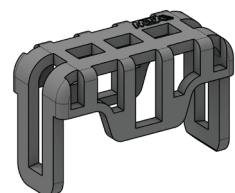




# MAXICOMPACT® HOLDER

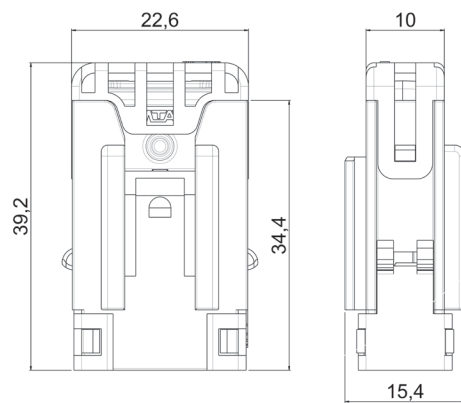


1

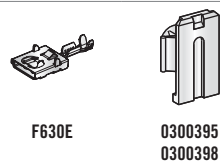


2

| IMG | DESCRIPTION | WAY | MATERIAL | COLOUR | P/N BOX | M.Q.Q. | P/N BULK | M.Q.Q. |
|-----|-------------|-----|----------|--------|---------|--------|----------|--------|
| 1   | HOLDER      | 1   | PA66     | Black  | 0101881 | 50     | 0301881  | 220    |
| 2   | COVER       | 1   | PA66     | Black  | 0101882 | 50     | 0301882  | 220    |

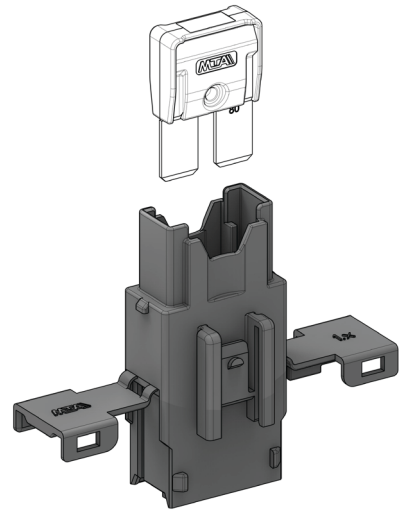


### CONNECTIONS AND FIXINGS

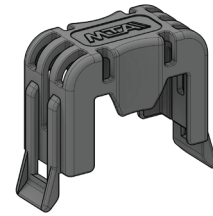




# M8COMPACT®HOLDER

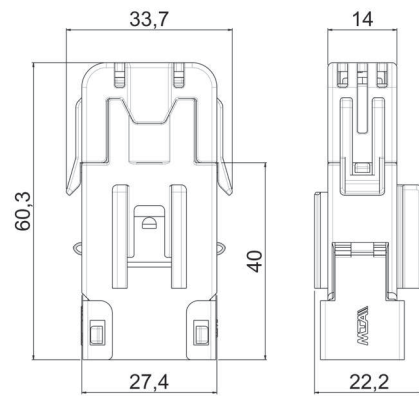


1

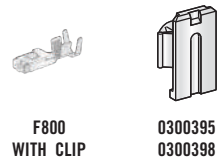


2

| IMG | DESCRIPTION | WAY | MATERIAL | COLOUR | P/N BOX | M.Q.Q. | P/N BULK | M.Q.Q. |
|-----|-------------|-----|----------|--------|---------|--------|----------|--------|
| 1   | HOLDER      | 1   | PA66     | Black  | 0101883 | 50     | 0301883  | 220    |
| 2   | COVER       | 1   | PA66     | Black  | 0101884 | 50     | 0301884  | 220    |



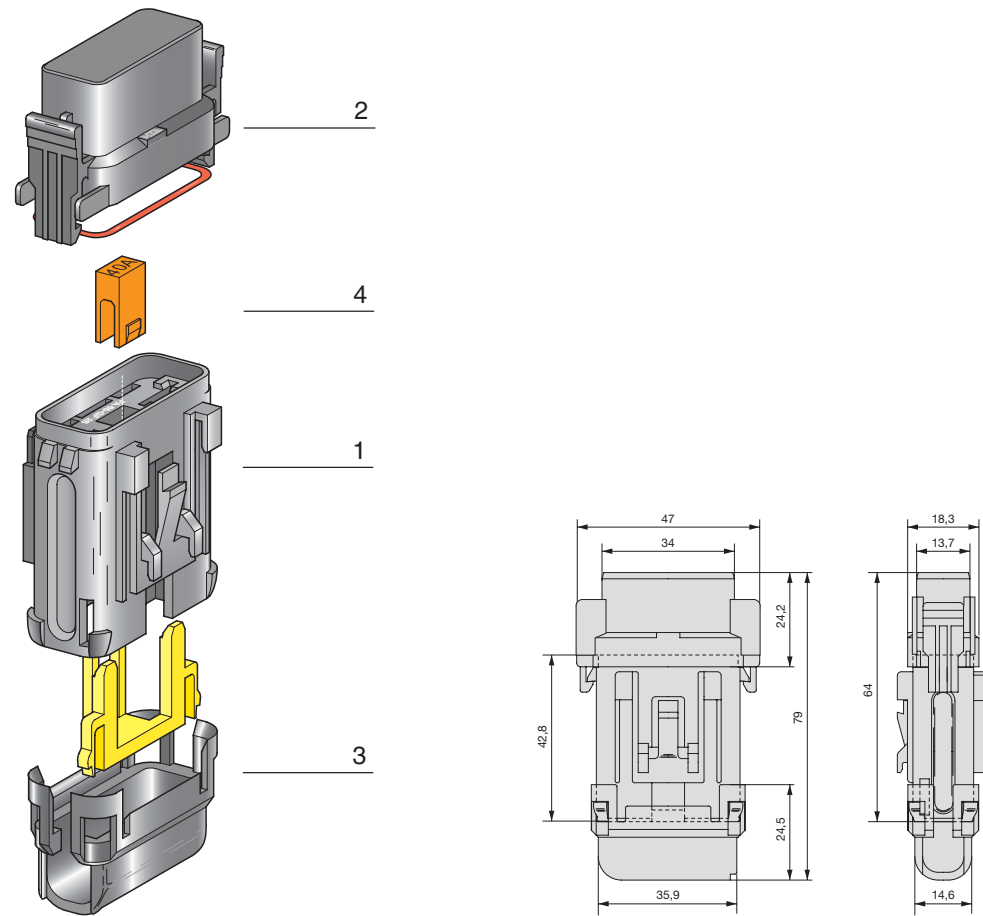
CONNECTIONS AND FIXINGS



F800  
WITH CLIP

0300395  
0300398

# SPLASH PROOF MAXIVAL® HOLDER

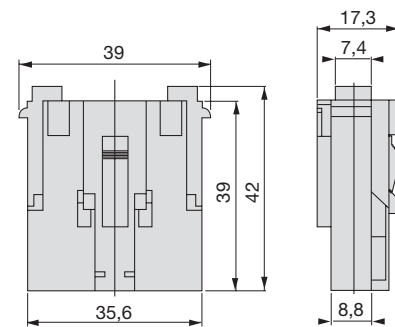
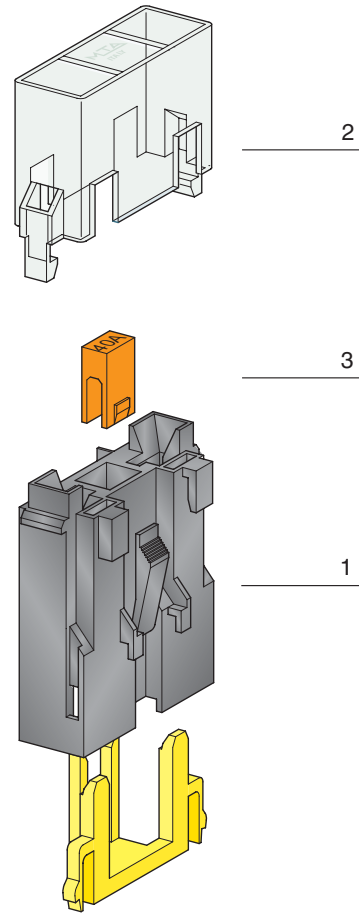


| IMG | DESCRIPTION                  | WAY | MATERIAL               | COLOUR          | P/N BOX | M.O.Q. | P/N BULK | M.O.Q. |
|-----|------------------------------|-----|------------------------|-----------------|---------|--------|----------|--------|
| 1   | HOLDER + SECONDARY LOCK      | 1   | PA66 GF25<br>PA66 GF30 | Black<br>Yellow | 0321000 | 250    | 0301000  | 800    |
| 2   | COVER WITH GASKET            |     | PA66                   | Black           | 0321210 | 250    | 0301210  | 1500   |
| 3   | BOTTOM COVER                 |     | PA66                   | Black           | 0321200 | 250    | 0301200  | 1500   |
| 4   | IDENTIFICATION INSERT 30 AMP |     | PBT GF20               | Green           |         |        | 0301030  | 1500   |
|     | IDENTIFICATION INSERT 40 AMP |     | PBT GF20               | Orange          |         |        | 0301040  | 1500   |
|     | IDENTIFICATION INSERT 50 AMP |     | PBT GF20               | Red             |         |        | 0301050  | 1500   |
|     | IDENTIFICATION INSERT 60 AMP |     | PBT GF20               | Blue            |         |        | 0301060  | 1500   |
|     | IDENTIFICATION INSERT 70 AMP |     | PBT GF20               | Beige           |         |        | 0301070  | 1500   |
|     | IDENTIFICATION INSERT 80 AMP |     | PBT GF20               | Natural         |         |        | 0301080  | 1500   |
|     | KIT WITH TERMINALS           |     |                        |                 | 0101005 | 10     |          |        |

CONNECTIONS AND FIXINGS

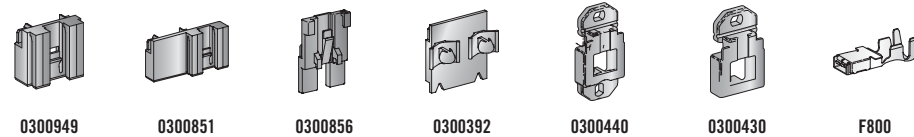


# MAXIVAL®HOLDER



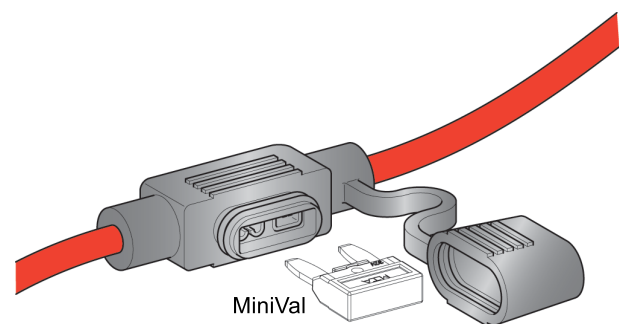
| IMG | DESCRIPTION                  | WAY | MATERIAL               | COLOUR              | P/N BOX | M.O.Q. | P/N BULK | M.O.Q. |
|-----|------------------------------|-----|------------------------|---------------------|---------|--------|----------|--------|
| 1   | HOLDER + SECONDARY LOCK      | 1   | PA66 GF25<br>PA66 GF30 | ■ Black<br>■ Yellow | 0100390 | 50     | 0300390  | 1200   |
| 2   | COVER                        |     | PC                     | □ Natural           | 0100391 | 10     | 0300391  | 1000   |
| 3   | IDENTIFICATION INSERT 30 AMP |     | PBT GF20               | ■ Green             |         |        | 0301030  | 1500   |
|     | IDENTIFICATION INSERT 40 AMP |     | PBT GF20               | ■ Orange            |         |        | 0301040  | 1500   |
|     | IDENTIFICATION INSERT 50 AMP |     | PBT GF20               | ■ Red               |         |        | 0301050  | 1500   |
|     | IDENTIFICATION INSERT 60 AMP |     | PBT GF20               | ■ Blue              |         |        | 0301060  | 1500   |
|     | IDENTIFICATION INSERT 70 AMP |     | PBT GF20               | ■ Beige             |         |        | 0301070  | 1500   |
|     | IDENTIFICATION INSERT 80 AM  |     | PBT GF20               | □ Natural           |         |        | 0301080  | 1500   |
|     | KIT WITH TERMINALS           |     |                        |                     | 3001001 | 25     |          |        |

CONNECTIONS AND FIXINGS



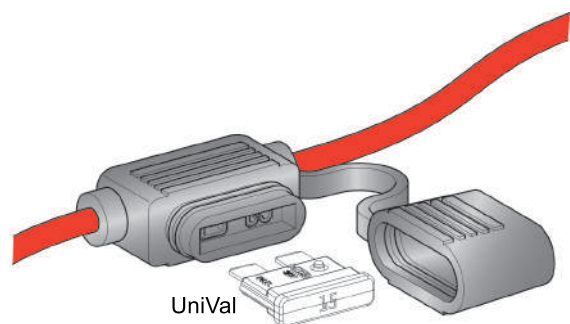


# WATERPROOF FUSE HOLDER



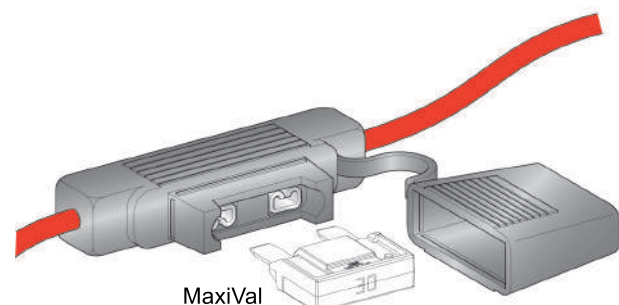
MiniVal

1



UniVal

2



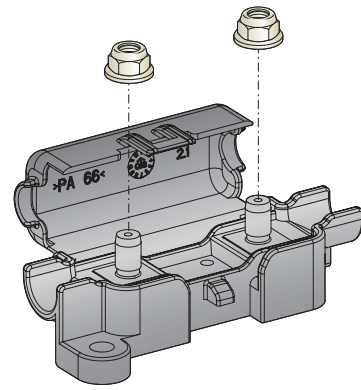
MaxiVal

3

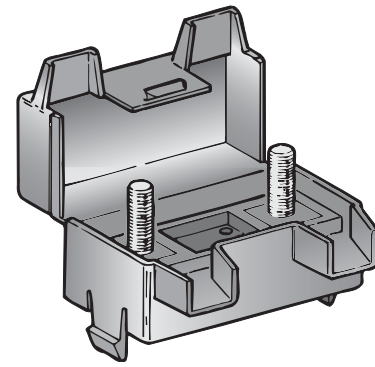
| IMG | DESCRIPTION   | P/N BOX | M.O.Q. | P/N BULK | M.O.Q. |
|-----|---|---------|--------|----------|--------|
| 1   | WP MINIVAL FUSEHOLDER WITH CABLE 4mm <sup>2</sup> L = 140 mm  | 0100335 | 5      |          |        |
| 2   | WP UNIVAL FUSEHOLDER WITH CABLE 4mm <sup>2</sup> L = 138mm    | 0100336 | 5      | 0300336  | 500    |
| 3   | WP MAXIVAL FUSEHOLDER WITH CABLE 10mm <sup>2</sup> L = 132 mm | 0100337 | 1      |          |        |



# MIDIVAL®HOLDER

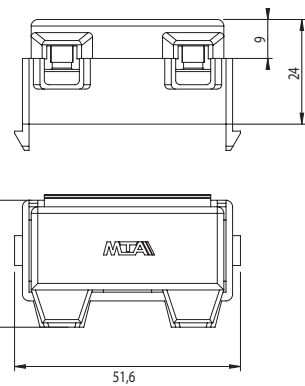
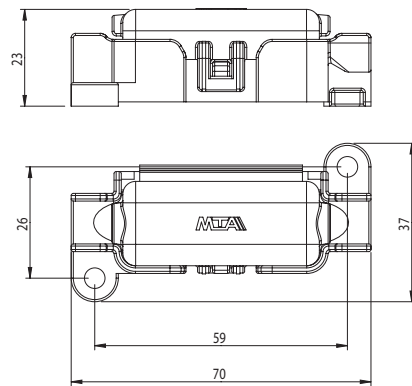


1



2

| IMG | DESCRIPTION                           | WAY | MATERIAL | COLOUR  | P/N BOX | M.Q.Q. | P/N BULK | M.Q.Q. |
|-----|---------------------------------------|-----|----------|---------|---------|--------|----------|--------|
| 1   | MIDIVAL HOLDER BOLT TYPE WITH NUTS    | 1   | PA66     | ■ Black | 0100360 | 75     | 0300360  | 200    |
| 2   | MIDIVAL HOLDER CLIP TYPE WITHOUT NUTS | 1   | PA66     | ■ Black |         |        | 0300370  | 200    |
|     | MIDIVAL HOLDER CLIP TYPE WITH NUTS    | 1   | PA66     | ■ Black | 0100370 | 5      |          |        |

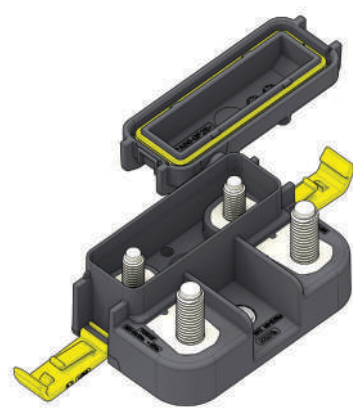


CONNECTIONS AND FIXINGS

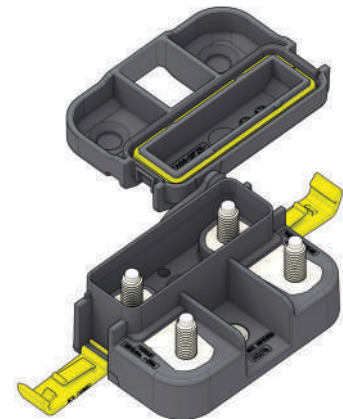


MIDI

# WATER PROOF MEGAVAL® HOLDER

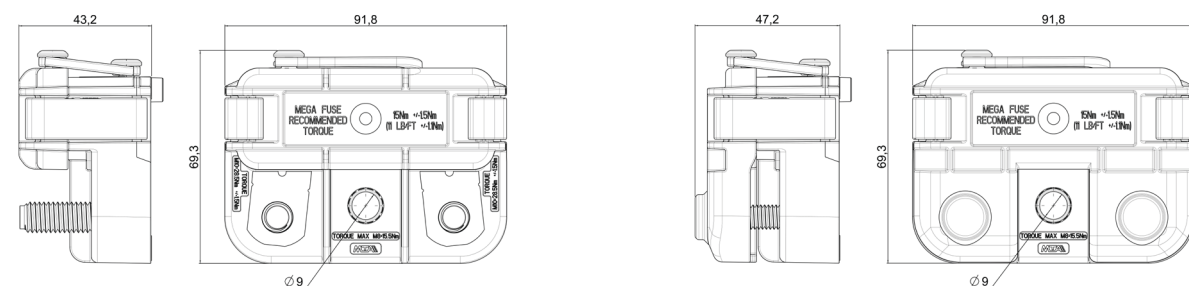


1



2

| IMG | DESCRIPTION                           | WAY | MATERIAL  | COLOUR | P/N BOX | M.O.Q. |
|-----|---------------------------------------|-----|-----------|--------|---------|--------|
| 1   | WP MEGAVAL HOLDER                     | 1   | PA66 GF25 | Black  | 0301502 | 24     |
| 2   | WP MEGAVAL HOLDER WITH EXTENDED COVER | 1   | PA66 GF25 | Black  | 0301152 | 24     |

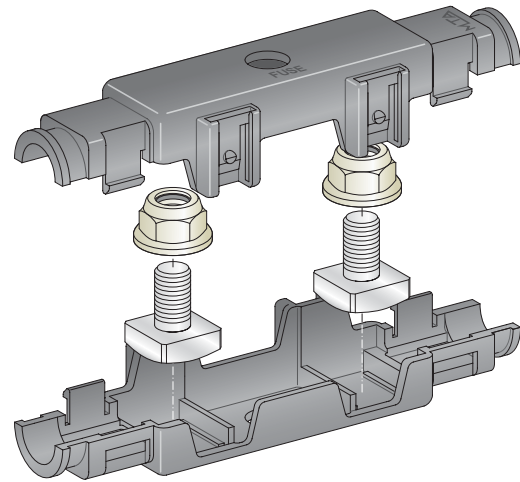


CONNECTIONS AND FIXINGS



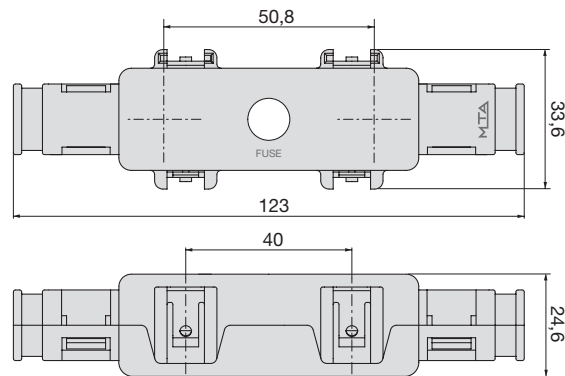
TUBOLAR

# MEGAVAL® HOLDER

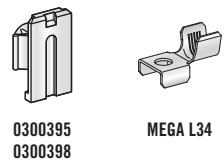


1

| IMG | DESCRIPTION        | WAY | MATERIAL  | COLOUR | P/N     | M.O.Q. |
|-----|--------------------|-----|-----------|--------|---------|--------|
| 1   | MEGAVAL HOLDER     | 1   | PA66 GF30 | Black  | 0300380 | 50     |
|     | KIT WITH TERMINALS |     |           |        | 0100380 | 10     |

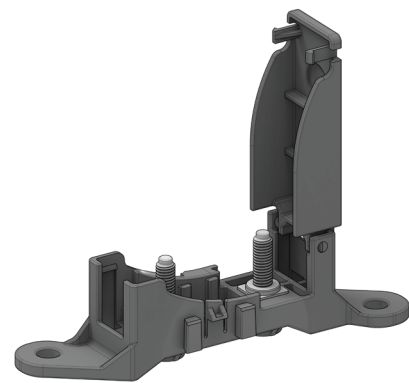


CONNECTIONS AND FIXINGS

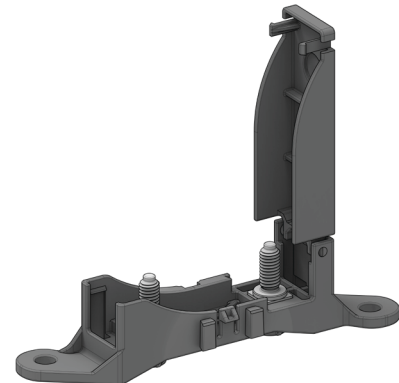


MEGA L34

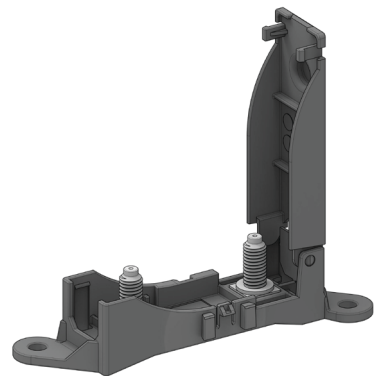
# MIDIVAL®-MEGACOMPACT®-MEGAVAL®HOLDER



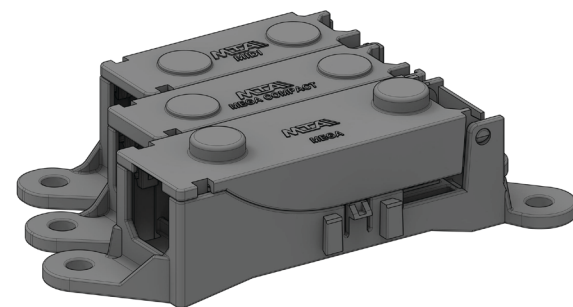
1



2

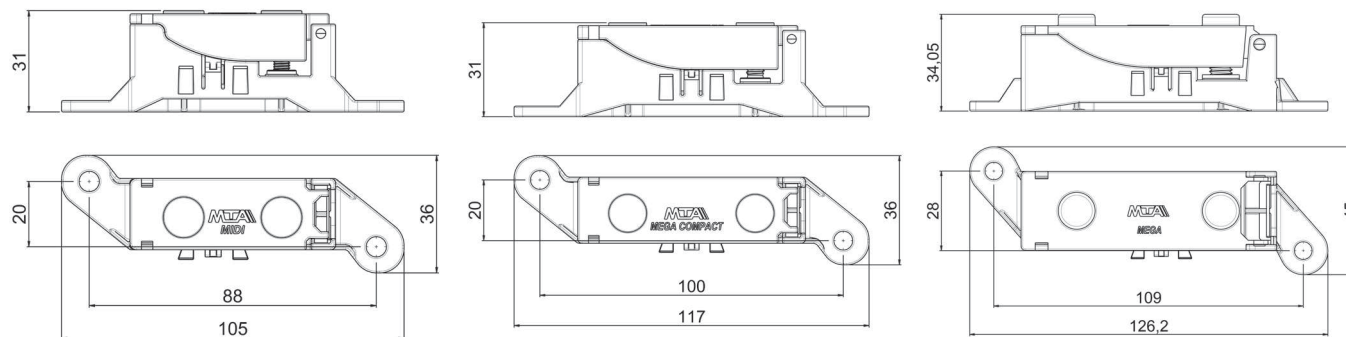


3



EXAMPLE OF A MULTIPLE FUSE BLOCK

| IMG | DESCRIPTION        | WAY | MATERIAL  | COLOUR | P/N BOX | M.O.Q. | P/N BULK | M.O.Q. |
|-----|--------------------|-----|-----------|--------|---------|--------|----------|--------|
| 1   | MIDIVAL HOLDER     | 1   | PA66 GF30 | Black  | 0101499 | 20     | 0301499  | 200    |
| 2   | MEGACOMPACT HOLDER | 1   | PA66 GF30 | Black  | 0101497 | 20     | 0301497  | 150    |
| 3   | MEGAVAL HOLDER     | 1   | PA66 GF30 | Black  | 0101498 | 20     | 0301498  | 100    |

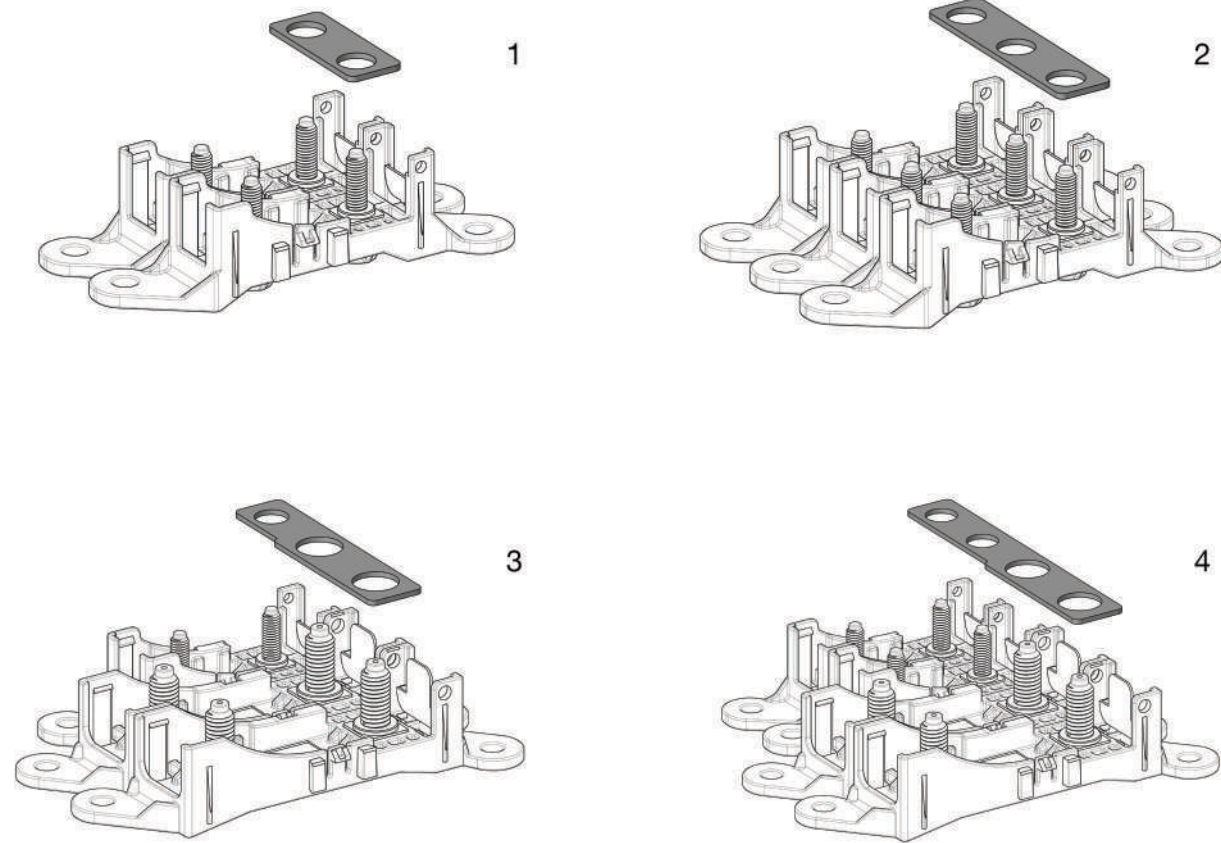


CONNECTIONS AND FIXINGS

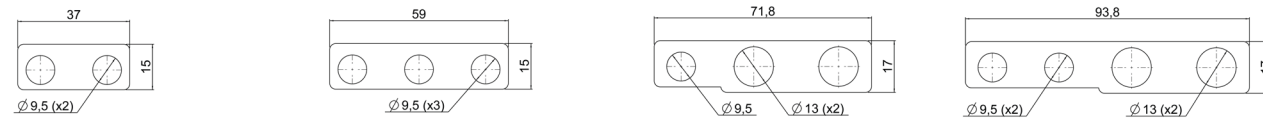
| IMG | 1       | 2           | 2+3     | 3            | 3            |
|-----|---------|-------------|---------|--------------|--------------|
|     |         |             |         |              |              |
|     | MIDI M5 | RING STD137 | TUBULAR | MEGA M8 POLA | MEGA M8 POLB |



# BUS-BAR

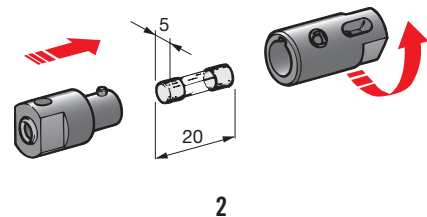
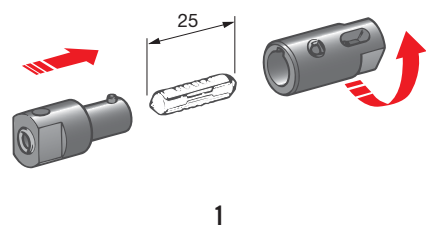


| IMG | DESCRIPTION                         | MATERIAL | MATERIAL THICKNESS mm | P/N     | M.O.Q. |
|-----|-------------------------------------|----------|-----------------------|---------|--------|
|     | 2 WAY BUS-BAR MIDIVAL               | Cu-Sn    | 1,5                   | 0301509 | TBD    |
|     | 3 WAY BUS-BAR MIDIVAL               | Cu-Sn    | 1,5                   | 0301508 | TBD    |
|     | 3 WAY BUS-BAR 1 MIDIVAL / 2 MEGAVAL | Cu-Sn    | 1,5                   | 0301511 | TBD    |
|     | 4 WAY BUS-BAR 2 MIDIVAL / 2 MEGAVAL | Cu-Sn    | 1,5                   | 0301512 | TBD    |

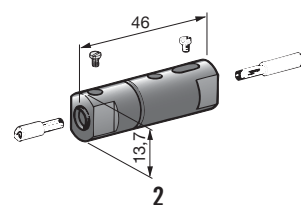
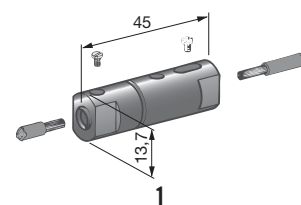




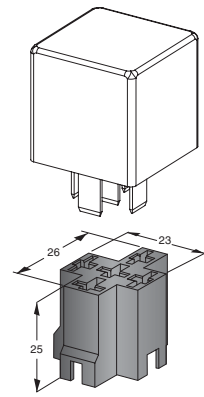
# GLASS & CONTINENTAL FUSE HOLDER



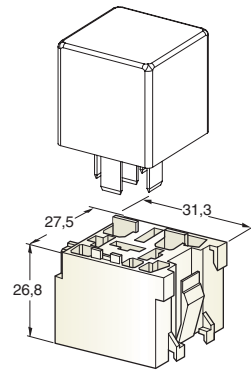
| IMG | DESCRIPTION                               | COLOUR | CABLE  | P/N BOX | M.O.Q. | P/N BULK | M.O.Q. |
|-----|---|--------|--------|---------|--------|----------|--------|
| 1   | FUSEHOLDER WITH BLACK CONTINENTAL FUSE 8A | Black  | 0.25÷2 | 0100300 | 25     | 0300300  | 1000   |
| 2   | FUSEHOLDER WITH GLASS FUSE 2A - 5X20 mm   | Black  | 0.25÷2 | 0100306 | 25     | 0300306  | 1000   |



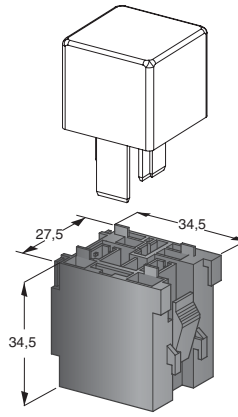
# RELAY HOLDER



1



2



3

| IMG | DESCRIPTION                           | MATERIAL | COLOUR    | P/N BOX | M.O.Q. | P/N BULK | M.O.Q. |
|-----|---------------------------------------|----------|-----------|---------|--------|----------|--------|
| 1   | MINI RELAY HOLDER                     | PA       | ■ Black   | 4410246 | 50     |          |        |
| 2   | MINI RELAY HOLDER                     | PA       | □ Neutral | 4410245 | 50     | 4510245  | 500    |
|     | KIT HOLDER + TERMINALS + FIXING PLATE |          |           | 3050135 | 1      |          |        |
| 3   | MAXI RELAY HOLDER                     | PA       | ■ Black   | 4410247 | 50     | 4510247  | 250    |
|     | KIT HOLDER + TERMINALS + FIXING PLATE |          |           | 3050136 | 1      |          |        |

**CONNECTIONS AND FIXINGS**

| IMG | 1    | 2+3      | 2+3      | 2+3      | 2                    | 3           | 3                           |
|-----|------|----------|----------|----------|----------------------|-------------|-----------------------------|
|     |      |          |          |          |                      |             |                             |
|     | F630 | 01.00392 | 01.00440 | 01.00430 | F630<br>W/LOCK.NOTCH | ANTISF F630 | FASTON F950<br>W/LOCK.NOTCH |

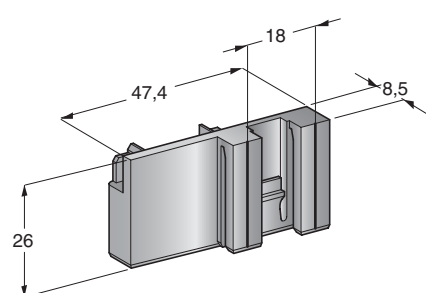


# ADAPTERS & FIXING PLATES

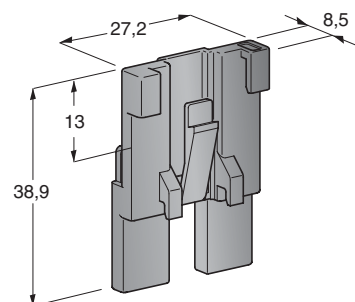




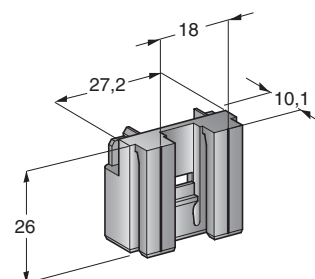
# ADAPTERS



1



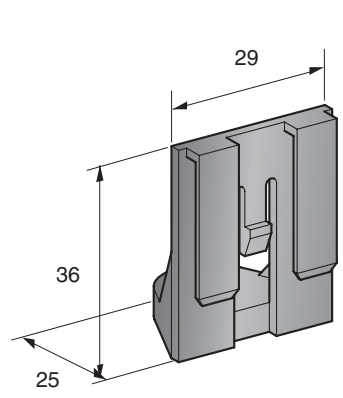
2



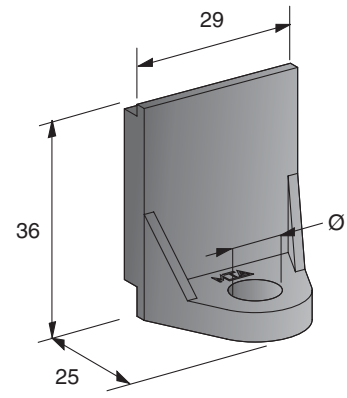
3

| IMG | DESCRIPTION | MATERIAL  | COLOUR | P/N BULK | M.O.Q. |
|-----|-------------|-----------|--------|----------|--------|
| 1   | ADAPTER     | PA66 GF25 | Black  | 0300851  | 1000   |
| 2   | ADAPTER     | PA66 GF25 | Black  | 0300856  | 1500   |
| 3   | ADAPTER     | PA66 GF25 | Black  | 0300949  | 1500   |

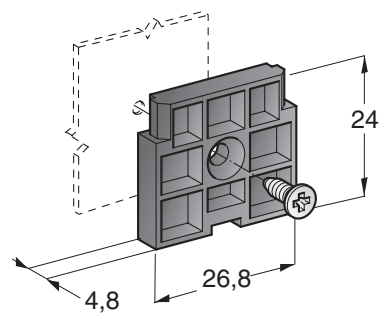
## FIXING PLATES



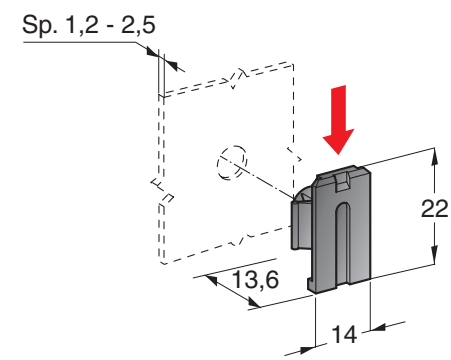
1



2



3

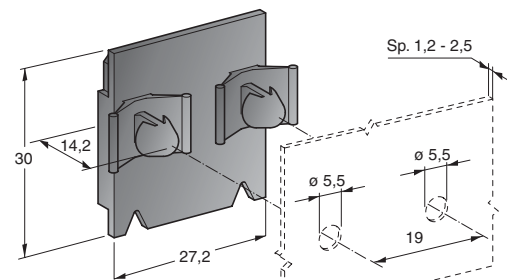


4

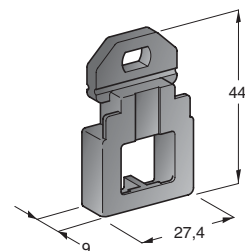
| IMG | DESCRIPTION               | ∅<br>mm | MATERIAL | COLOUR  | P/N<br>BOX | M.O.Q. | P/N<br>BULK | M.O.Q. |
|-----|---------------------------|---------|----------|---------|------------|--------|-------------|--------|
| 1   | MOUNTING BRACKET MALE     | 8,5     | PA66     | ■ Black |            |        | 0300690     | 100    |
| 2   | MOUNTING BRACKET FEMALE   | 8,5     | PA66     | ■ Black |            |        | 0300691     | 100    |
| 3   | FIXING PLATE WITH 1 SCREW | 3,6     | PP GF30  | ■ Black | 0100352    | 250    | 0300352     | 1000   |
| 4   | FIXING PLATE BY PRESSURE  | 6,5     | PA66     | ■ Black |            |        | 0300395     | 1000   |
|     | FIXING PLATE BY PRESSURE  | 8,0     | PA66     | ■ Black |            |        | 0300398     | 1000   |



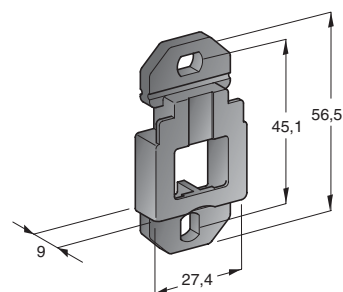
# FIXING PLATES



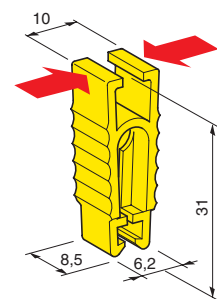
1



2



3



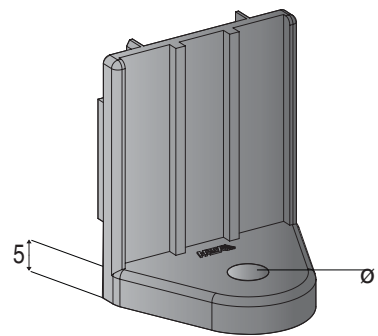
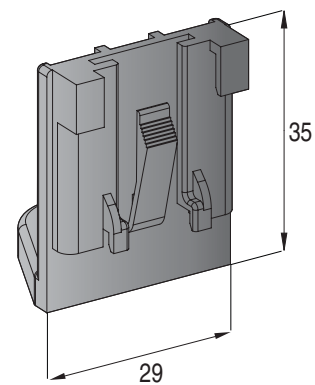
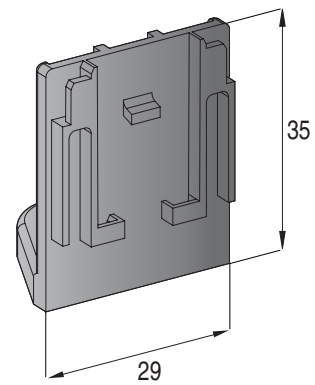
4

| IMG | DESCRIPTION              | SCREW<br>ø<br>mm | MATERIAL | COLOUR | P/N<br>BOX | M.O.Q. | P/N<br>BULK | M.O.Q. |
|-----|--------------------------|------------------|----------|--------|------------|--------|-------------|--------|
| 1   | FIXING PLATE             | 5,5              | PA66     | Black  | 0100392    | 100    | 0300392     | 1000   |
| 2   | FIXING PLATE             | M 5              | PA66     | Black  | 0100430    | 100    | 0300430     | 1000   |
| 3   | FIXING PLATE             | M 5              | PA66     | Black  | 0100440    | 100    | 0300440     | 250    |
| 4   | EXTRACTOR FOR BLADE FUSE |                  | PP       | Yellow | 0100358    | 250    | 0300358     | 3000   |

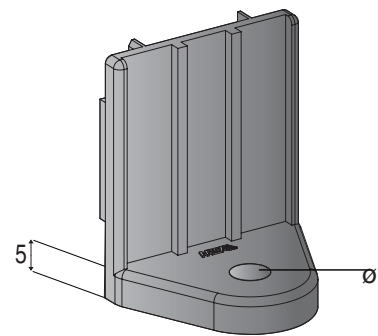




# FIXING PLATES



1



2

| IMG | DESCRIPTION             | ∅<br>mm | MATERIAL | COLOUR  | P/N<br>BULK | M.O.Q. |
|-----|-------------------------|---------|----------|---------|-------------|--------|
| 1   | MOUNTING BRACKET FEMALE | 5,5     | PA66     | ■ Black | 0300698     | 100    |
| 2   | MOUNTING BRACKET MALE   | 5,5     | PA66     | ■ Black | 0300697     | 100    |





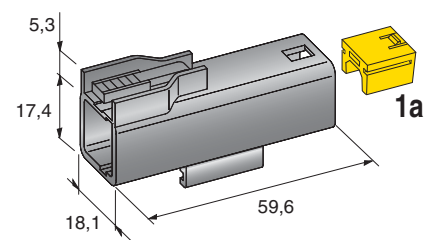


# CONNECTORS

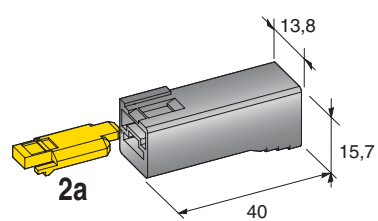




# 1-WAY POWER



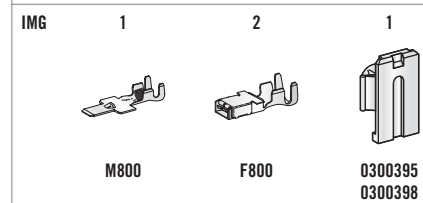
1



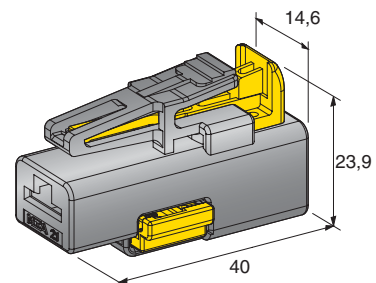
2

| IMG | DESCRIPTION    | WAY | MATERIAL  | COLOUR | P/N BOX WITH S.LOCK | M.O.Q. | P/N BULK | M.O.Q. |
|-----|----------------|-----|-----------|--------|---------------------|--------|----------|--------|
| 1   | MALE HOLDER    | 1   | PA66 GF25 | Black  | 4440200             | 20     | 4540205  | 1200   |
| 2   | FEMALE HOLDER  | 1   | PA66 GF25 | Black  | 4440100             | 20     | 4540105  | 2400   |
| 1a  | SECONDARY LOCK |     | PA66      | Yellow |                     |        | 4545200  | 2400   |
| 2a  | SECONDARY LOCK |     | PA66      | Yellow |                     |        | 4545100  | 4800   |

### CONNECTIONS AND FIXINGS



## 1-WAY POWER



1

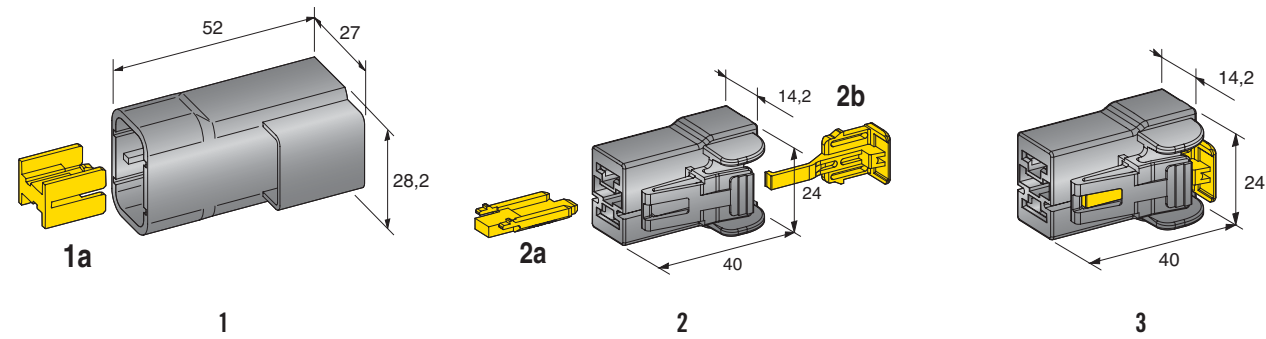
| IMG | DESCRIPTION                               | WAY | MATERIAL  | COLOUR | P/N BULK | M.O.Q. |
|-----|---|-----|-----------|--------|----------|--------|
| 1   | FEMALE HOLDER WITH SECONDARY LOCK AND CPA | 1   | PA66 GF30 | Black  | 4540150  | 700    |

## CONNECTIONS AND FIXINGS



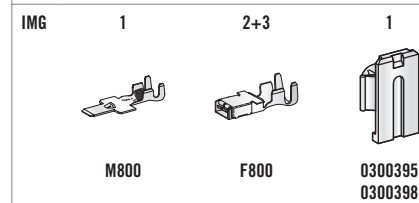
F800

# 2-WAY POWER

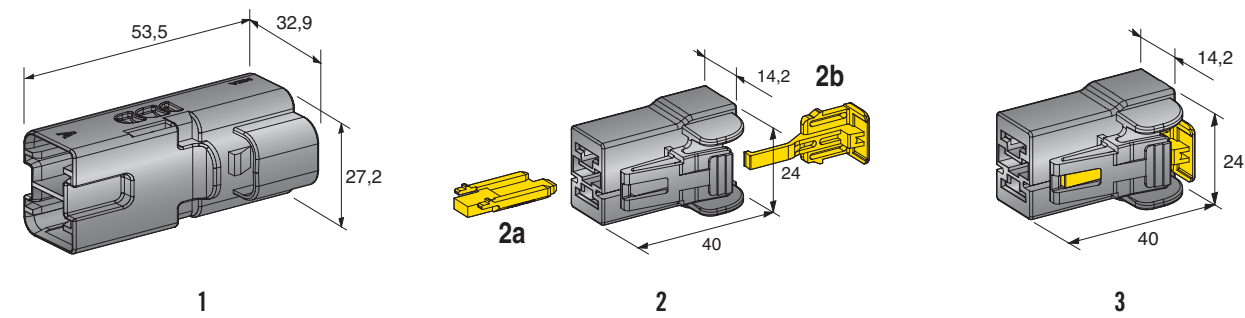


| IMG | DESCRIPTION            | WAY | MATERIAL  | COLOUR | P/N BOX WITH S.LOCK | M.O.Q. | P/N BULK | M.O.Q. |
|-----|------------------------|-----|-----------|--------|---------------------|--------|----------|--------|
| 1   | MALE HOLDER            | 2   | PA66 GF30 | Black  | 4440400             | 10     | 4540405  | 1200   |
| 2   | FEMALE HOLDER          | 2   | PA66 GF30 | Black  | 4440300             | 10     | 4540305  | 1200   |
| 3   | FEMALE HOLDER WITH CPA | 2   | PA66 GF30 | Black  |                     |        | 4540302  | 1200   |
| 1a  | SECONDARY LOCK         |     | PA66 GF30 | Yellow |                     |        | 4545400  | 1200   |
| 2a  | SECONDARY LOCK         |     | PA66      | Yellow |                     |        | 4545100  | 4800   |
| 2b  | CPA                    |     | PA66 GF30 | Yellow |                     |        | 4545300  | 2400   |

CONNECTIONS AND FIXINGS



## 2-WAY POWER



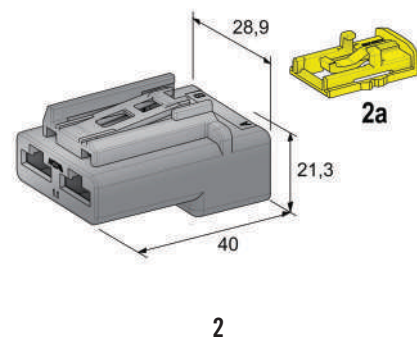
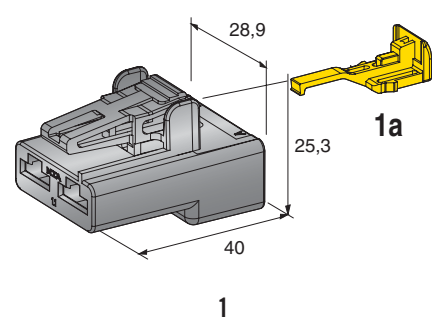
| IMG | DESCRIPTION                      | WAY | MATERIAL  | COLOUR | P/N BOX WITH S.LOCK | M.Q.Q. | P/N BULK | M.Q.Q. |
|-----|----------------------------------|-----|-----------|--------|---------------------|--------|----------|--------|
| 1   | MALE HOLDER POLARIZED            | 2   | PA66 GF30 | Blue   |                     |        | 4540410  | 1200   |
|     | MALE HOLDER POLARIZED            | 2   | PA66 GF30 | Grey   |                     |        | 4540420  | 1200   |
|     | MALE HOLDER POLARIZED            | 2   | PA66 GF30 | Green  |                     |        | 4540430  | 1000   |
| 2   | FEMALE HOLDER POLARIZED          | 2   | PA66 GF30 | Blue   | 4440310             | 10     | 4540315  | 1200   |
|     | FEMALE HOLDER POLARIZED          | 2   | PA66 GF30 | Grey   | 4440340             | 10     | 4540345  | 1200   |
|     | FEMALE HOLDER POLARIZED          | 2   | PA66 GF30 | Green  |                     |        | 4540325  | 1200   |
|     | FEMALE HOLDER POLARIZED          | 2   | PA66 GF30 | Brown  |                     |        | 4540335  | 1200   |
| 3   | FEMALE HOLDER POLARIZED WITH CPA | 2   | PA66 GF30 | Blue   |                     |        | 4540312  | 1200   |
| 2a  | SECONDARY LOCK                   | 2   | PA66      | Yellow |                     |        | 4545100  | 4800   |
| 2b  | CPA                              | 2   | PA66 GF30 | Yellow |                     |        | 4545300  | 2400   |

## CONNECTIONS AND FIXINGS

| IMG | 1    | 2+3  | 1                  |
|-----|------|------|--------------------|
|     |      |      |                    |
|     | M800 | F800 | 0300395<br>0300398 |



# 2-WAY POWER



| IMG | DESCRIPTION             | WAY | MATERIAL     | COLOUR |  | P/N BULK | M.O.Q. |
|-----|-------------------------|-----|--------------|--------|--|----------|--------|
| 1   | FEMALE HOLDER POLARIZED | 2   | PA66 GF13    | Blue   |  | 4540500  | 600    |
|     | FEMALE HOLDER POLARIZED | 2   | PA66 GF13    | Green  |  | 4540501  | 600    |
| 1a  | CPA                     |     | PA66 GF30    | Yellow |  | 4545300  | 2400   |
| 2   | FEMALE HOLDER POLARIZED | 2   | PA66 GF13 HB | Blue   |  | 4540502  | 600    |
|     | FEMALE HOLDER POLARIZED | 2   | PA66 GF13 HB | Green  |  | 4540503  | 600    |
| 2a  | CPA                     |     | PA66 GF30    | Yellow |  | 4540303  | 600    |

**CONNECTIONS AND FIXINGS**

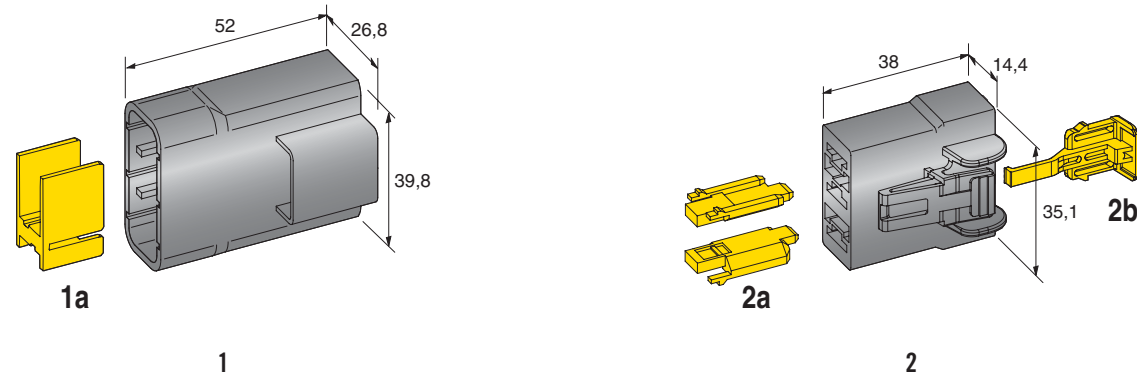
IMG 1+2



F800



## 3-WAY POWER



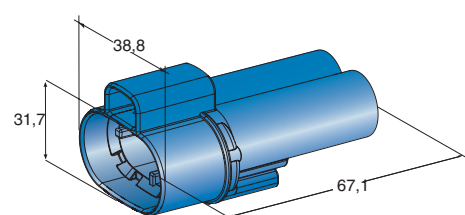
| IMG | DESCRIPTION             | WAY | MATERIAL  | COLOUR | P/N<br>BOX WITH<br>S.LOCK | M.O.Q. | P/N<br>BULK | M.O.Q. |
|-----|-------------------------|-----|-----------|--------|---------------------------|--------|-------------|--------|
| 1   | MALE HOLDER             | 3   | PA66 GF25 | Black  | 4440800                   | 10     | 4540805     | 1200   |
|     | MALE HOLDER POLARIZED   | 3   | PA66 GF25 | Blue   |                           |        | 4540815     | 600    |
| 2   | FEMALE HOLDER           | 3   | PA66 GF30 | Black  | 4440700                   | 10     | 4540705     | 1200   |
|     | FEMALE HOLDER POLARIZED | 3   | PA66 GF30 | Blue   |                           |        | 4540715     | 1200   |
|     | FEMALE HOLDER POLARIZED | 3   | PA66 GF30 | Grey   |                           |        | 4540735     | 1200   |
| 1a  | SECONDARY LOCK          |     | PA66 GF30 | Yellow |                           |        | 4545800     | 1200   |
| 2a  | SECONDARY LOCK          |     | PA66      | Yellow |                           |        | 4545100     | 4800   |
| 2b  | CPA                     |     | PA66 GF30 | Yellow |                           |        | 4545300     | 2400   |

## CONNECTIONS AND FIXINGS

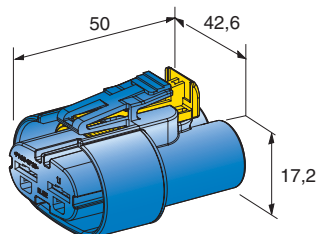
| IMG | 1    | 2    | 1                  |
|-----|------|------|--------------------|
|     |      |      |                    |
|     | M800 | F800 | 0300395<br>0300398 |



# 2-WAY POWER WATER PROOF



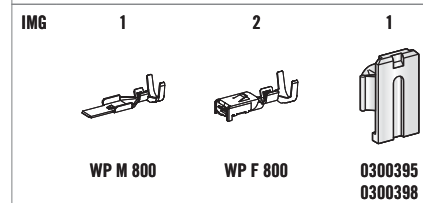
1



2

| IMG | DESCRIPTION               | WAY | MATERIAL  | COLOUR |  | P/N BULK | M.O.Q. |
|-----|---------------------------|-----|-----------|--------|--|----------|--------|
| 1   | MALE HOLDER               | 2   | PA66 GF30 | Blue   |  | 4540210  | 600    |
|     | MALE HOLDER               | 2   | PA66 GF30 | Green  |  | 4540211  | 700    |
|     | MALE HOLDER               | 2   | PA66 GF30 | Black  |  | 4540212  | 600    |
| 2   | FEMALE HOLDER WITH GASKET | 2   | PA66 GF30 | Blue   |  | 4540110  | 500    |
|     | FEMALE HOLDER WITH GASKET | 2   | PA66 GF30 | Green  |  | 4540111  | 500    |
|     | FEMALE HOLDER WITH GASKET | 2   | PA66 GF30 | Black  |  | 4540112  | 500    |
|     | FEMALE HOLDER WITH GASKET | 2   | PA66 GF30 | Grey   |  | 4540113  | 500    |

### CONNECTIONS AND FIXINGS

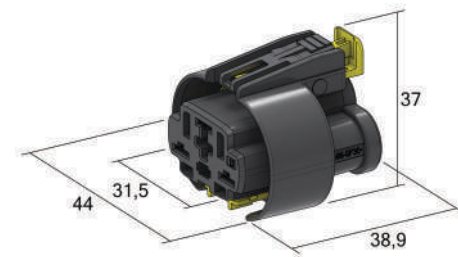




## 2, 3, 4 - WAY POWER WATER PROOF

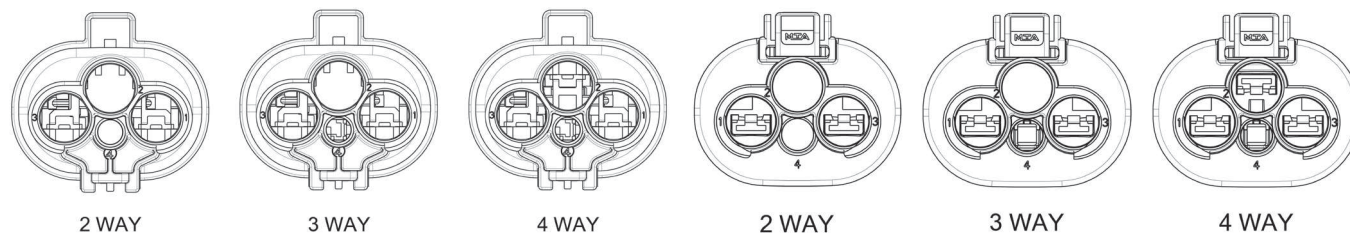


1



2

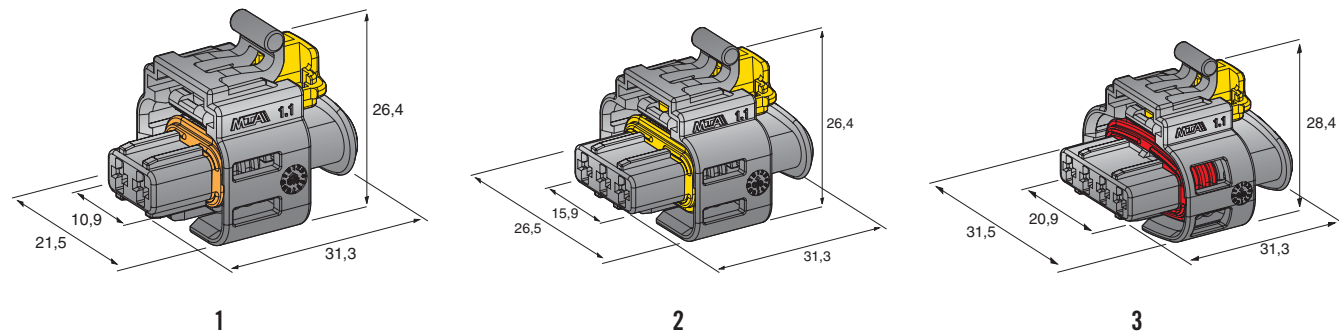
| IMG | DESCRIPTION               | WAY | MATERIAL  | COLOUR | P/N BULK | M.O.Q. |
|-----|---------------------------|-----|-----------|--------|----------|--------|
| 1   | MALE HOLDER               | 2   | PA66 GF30 | Black  | 4551900  | 500    |
|     | MALE HOLDER               | 3   | PA66 GF30 | Black  | 4540817  | 1200   |
|     | MALE HOLDER               | 4   | PA66 GF30 | Black  | 4551899  | 500    |
| 2   | FEMALE HOLDER WITH GASKET | 2   | PA66 GF30 | Black  | 4551898  | 500    |
|     | FEMALE HOLDER WITH GASKET | 3   | PA66 GF30 | Black  | 4540816  | 1200   |
|     | FEMALE HOLDER WITH GASKET | 4   | PA66 GF30 | Black  | 4551897  | 500    |



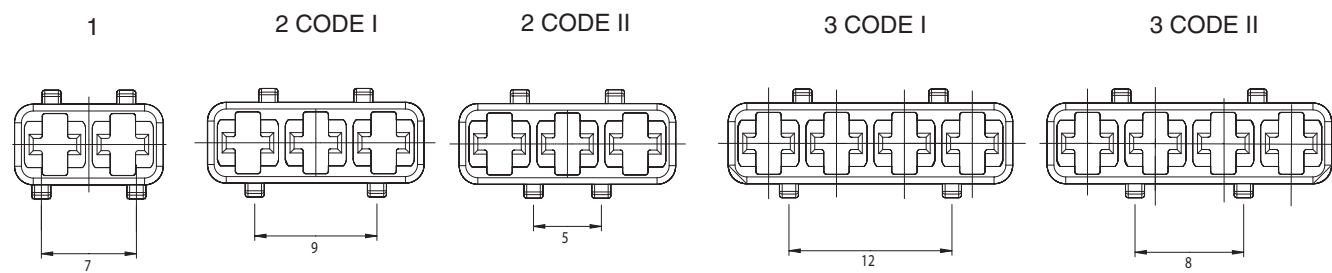
### CONNECTIONS AND FIXINGS

| IMG     | 1 (2-3-4 - WAY) | 1 (3-4 - WAY) | 2 (2-3-4 - WAY) | 2 (3-4 - WAY) |
|---------|-----------------|---------------|-----------------|---------------|
|         |                 |               |                 |               |
| M630 WP | JPT WP M280     | F630E WP      | F280 WP         |               |

# HP6 2,3 & 4-WAY



| IMG | DESCRIPTION           | WAY | MATERIAL  | COLOUR | P/N BOX | M.O.Q. | P/N BULK | M.O.Q. |
|-----|-----------------------|-----|-----------|--------|---------|--------|----------|--------|
| 1   | FEMALE HOLDER         | 2   | PA66 GF30 | Black  | 4410840 | 250    | 4510840  | 2500   |
| 2   | FEMALE HOLDER CODE I  | 3   | PA66 GF30 | Black  | 4410881 | 250    | 4510881  | 2000   |
|     | FEMALE HOLDER CODE II | 3   | PA66 GF30 | Black  | 4410880 | 250    | 4510880  | 2000   |
| 3   | FEMALE HOLDER CODE I  | 4   | PA66 GF30 | Black  | 4410891 | 250    | 4510891  | 1600   |
|     | FEMALE HOLDER CODE II | 4   | PA66 GF30 | Black  | 4410890 | 250    | 4510890  | 1600   |



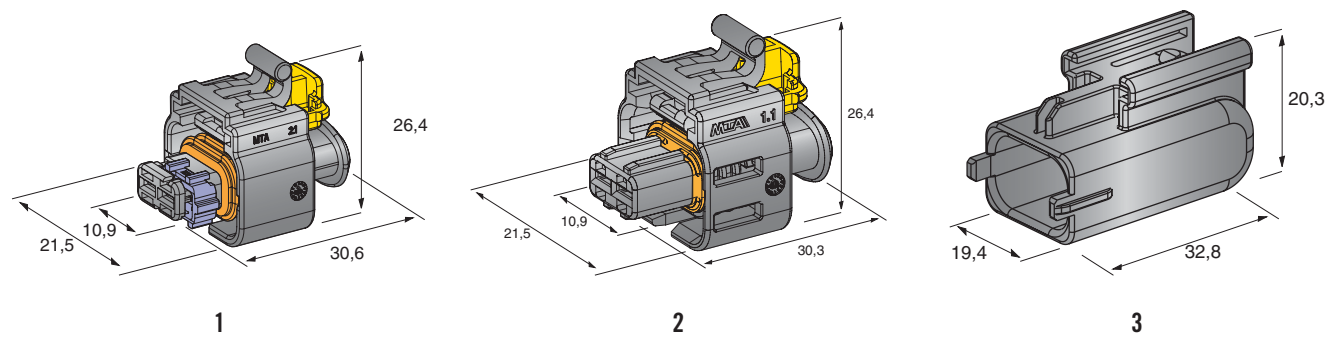
**CONNECTIONS AND FIXINGS**

IMG 1+2+3

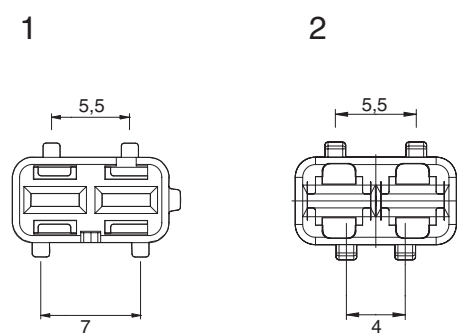


HP6 280

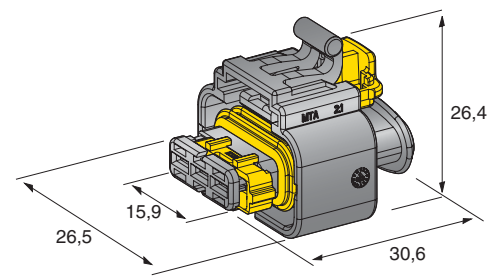
# C 280 2-WAY



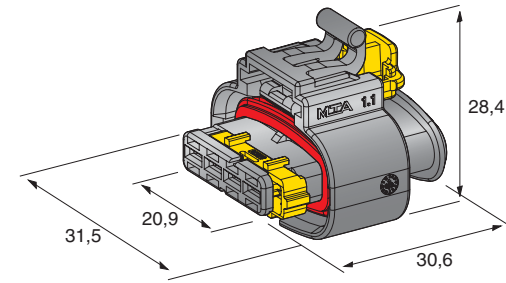
| IMG | DESCRIPTION                       | WAY | MATERIAL  | COLOUR  | S.LOCK COLOUR | P/N BOX | M.O.Q. | P/N BULK | M.O.Q. |
|-----|-----------------------------------|-----|-----------|---------|---------------|---------|--------|----------|--------|
| 1   | F. HOLDER FOR BDK & BSK TERMINALS | 2   | PA66 GF30 | ■ Black | ■ Violet      | 4410801 | 250    | 4510801  | 2500   |
| 2   | F. HOLDER FOR JPT TERMINALS       | 2   | PA66 GF30 | ■ Black |               | 4410830 | 250    | 4510830  | 2500   |
| 3   | CAP FOR CONNECTORS 4510801/830    | 2   | PA66 GF30 | ■ Black |               |         |        | 4510802  | 3000   |



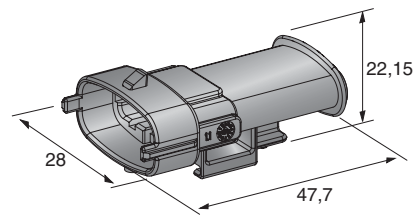
# C 280 3&4-WAY



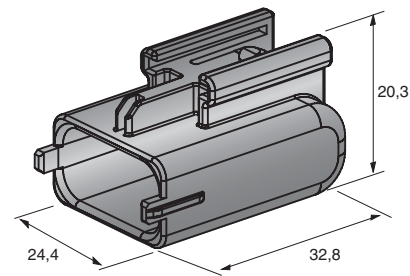
1



2



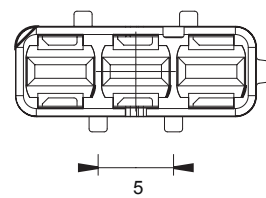
3



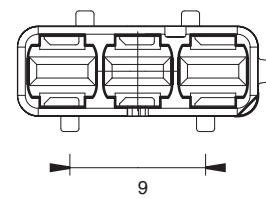
4

| IMG | DESCRIPTION                       | WAY | MATERIAL  | COLOUR | S.LOCK COLOUR | P/N BOX | M.Q.Q. | P/N BULK | M.Q.Q. |
|-----|-----------------------------------|-----|-----------|--------|---------------|---------|--------|----------|--------|
| 1   | F. HOLDER FOR BDK & BSK TERMINALS | 3   | PA66 GF30 | Black  | Yellow        | 4410810 | 250    | 4510810  | 2000   |
|     | F. HOLDER FOR BDK & BSK TERMINALS | 3   | PA66 GF30 | Black  | Violet        | 4410811 | 250    | 4510811  | 2000   |
| 2   | F. HOLDER FOR BDK & BSK TERMINALS | 4   | PA66 GF30 | Black  | Yellow        | 4410820 | 250    | 4510820  | 1600   |
|     | F. HOLDER FOR BDK & BSK TERMINALS | 4   | PA66 GF30 | Black  | Violet        | 4410821 | 250    | 4510821  | 1600   |
| 3   | MALE HOLDER FOR 4510821           | 4   | PA66 GF30 | Black  |               | 4410921 | 250    | 4510921  | 2000   |
| 4   | CAP FOR CONNECTORS 4510810/811    | 3   | PA66 GF30 | Black  |               |         |        | 4510812  | 2800   |

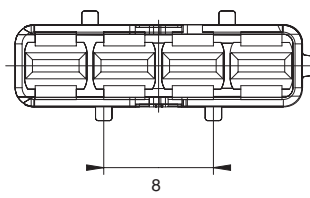
1 YELLOW



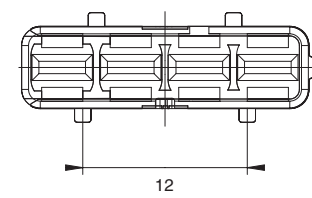
1 VIOLET



2 YELLOW



2 VIOLET



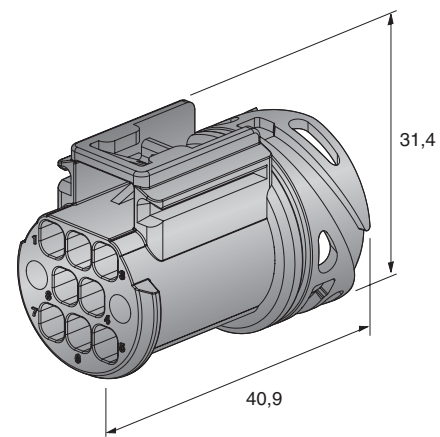
CONNECTIONS AND FIXINGS

IMG 3

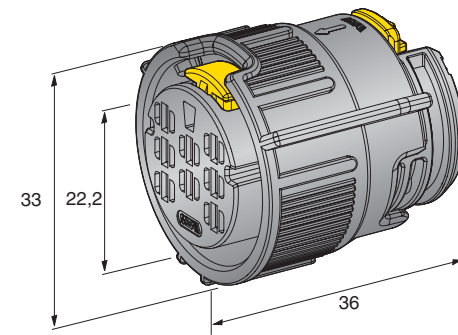


0300489

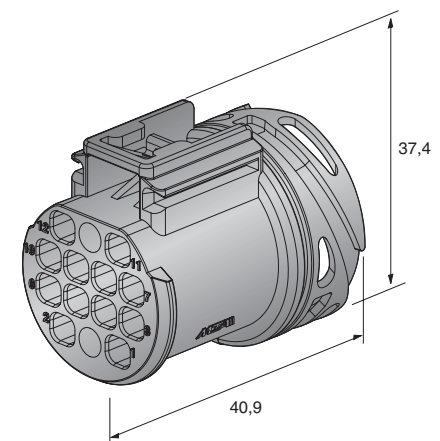
## RC 280 8 &amp; 12-WAY



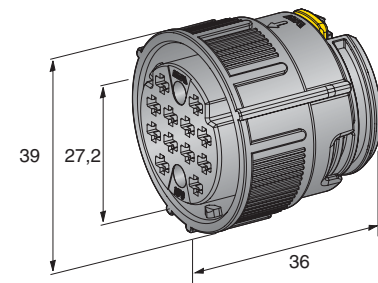
1



2



3



4

| IMG | DESCRIPTION                           | WAY | MATERIAL  | COLOUR | P/N BOX | M.O.Q. | P/N BULK | M.O.Q. |
|-----|---------------------------------------|-----|-----------|--------|---------|--------|----------|--------|
| 1   | MALE HOLDER FOR TABS 2,8 x 0,8        | 8   | PA66 GF30 | Black  | 4410970 | 20     | 4510970  | 500    |
| 2   | FEMALE HOLDER FOR BDK & BSK TERMINALS | 8   | PA66 GF30 | Black  | 4410870 | 20     | 4510870  | 120    |
| 3   | MALE HOLDER FOR TABS 2,8 x 0,8        | 12  | PA66 GF30 | Black  |         |        | 4510975  | 350    |
| 4   | FEMALE HOLDER FOR HP6 TERMINALS       | 12  | PA66 GF30 | Black  |         |        | 4510875  | 350    |

## CONNECTIONS AND FIXINGS

IMG

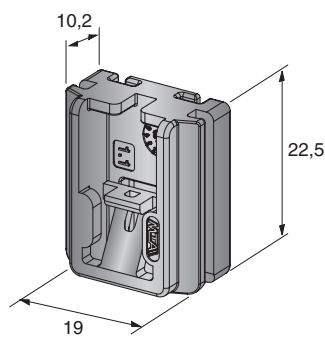
4



HP6 280



# ADAPTERS

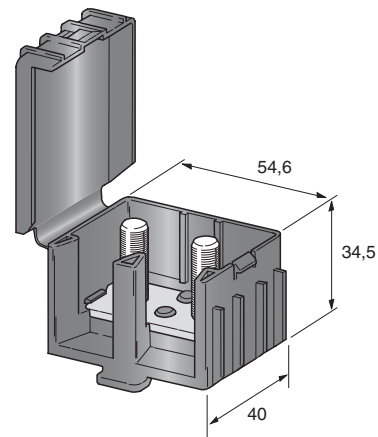


1

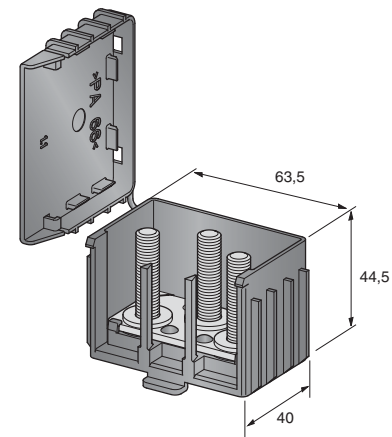
| IMG | DESCRIPTION         | MATERIAL  | COLOUR  |  | P/N BULK | M.O.Q. |
|-----|---------------------|-----------|---------|--|----------|--------|
| 1   | ADAPTER FOR 4510921 | PA66 GF30 | ■ Black |  | 0300489  | 2500   |



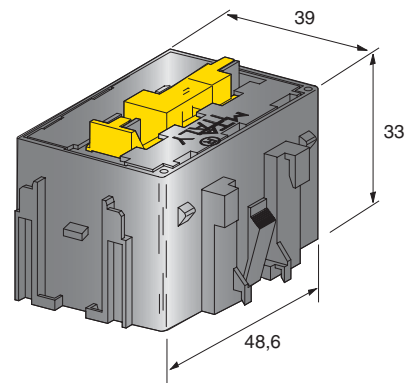
## JOINT



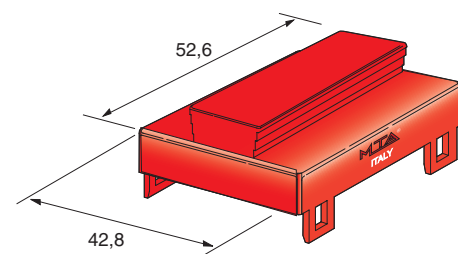
1



2



3



4

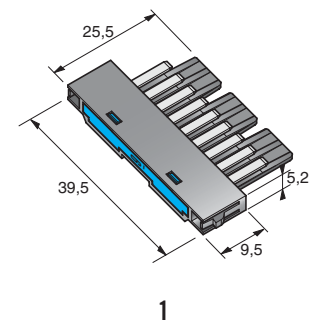
| IMG | DESCRIPTION              | SCREW | WAY | MATERIAL  | COLOUR | P/N BOX | M.O.Q. | P/N BULK | M.O.Q. |
|-----|--------------------------|-------|-----|-----------|--------|---------|--------|----------|--------|
| 1   | BRANCH KNOT M 88         | M 88  | 2   | PA66      | Black  | 4441100 | 1      | 4541100  | 100    |
| 2   | BRANCH KNOT M 888        | M 888 | 3   | PA66      | Black  | 4441200 | 1      | 4541200  | 100    |
|     | BRANCH KNOT M 666        | M 666 | 3   | PA66      | Black  |         |        | 4541202  | 100    |
|     | BRANCH KNOT M 555        | M 555 | 3   | PA66      | Black  |         |        | 4541201  | 100    |
| 3   | HOUSING WITH TERMINALS   |       | 6   | PA66 GF25 | Black  |         |        | 4540601  | 400    |
| 4   | COVER FOR HOUSING 6 WAY  |       |     | PA66      | Red    |         |        | 4540602  | 200    |
|     | KIT HOUSING 6 WAY+ COVER |       |     |           |        | 4440600 | 1      |          |        |

BULK PACKAGING SUPPLIED WITHOUT NUTS

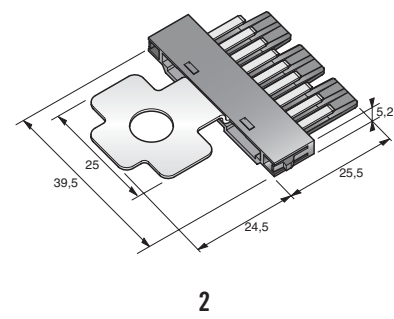
## CONNECTIONS AND FIXINGS

| IMG | 3       | 3       | 3       | 3       |
|-----|---------|---------|---------|---------|
|     |         |         |         |         |
|     | 0300392 | 0300430 | 0300440 | 4540105 |

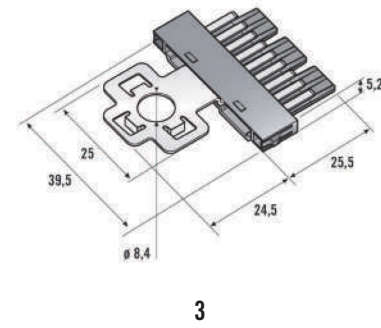
# JOINT 9-WAY



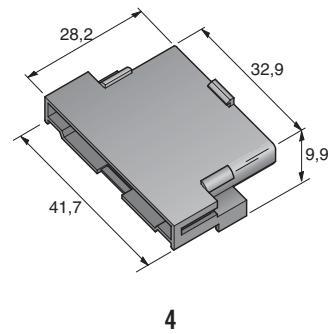
1



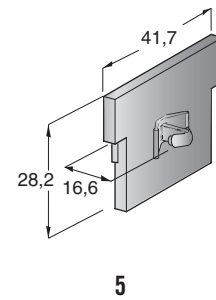
2



3



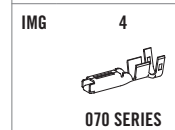
4



5

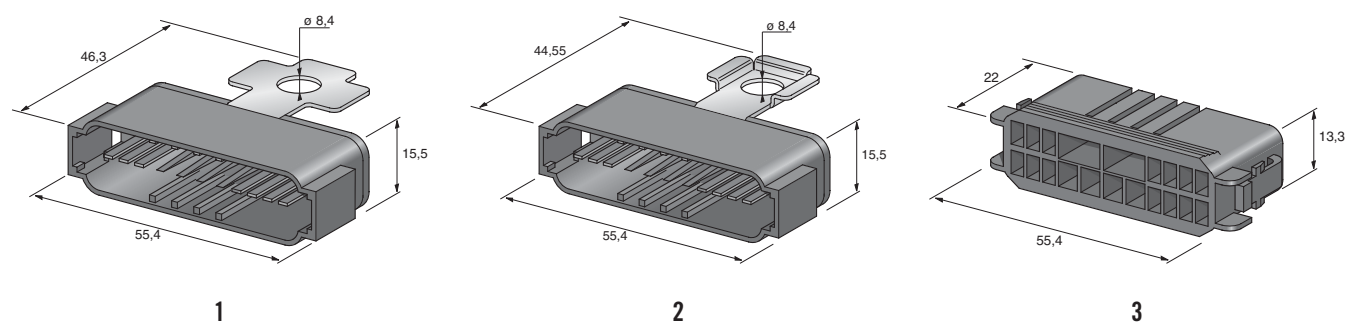
| IMG | DESCRIPTION               | WAY   | MATERIAL  | COLOUR | COVER COLOUR | P/N BOX | M.O.Q. | P/N BULK | M.O.Q. |
|-----|---------------------------|-------|-----------|--------|--------------|---------|--------|----------|--------|
| 1   | MALE HOLDER               | 9     | PA66 GF13 | Black  | Blue         | 4410610 | 10     | 4551610  | 2500   |
|     | MALE HOLDER               | 6+3   | PA66 GF13 | Black  | Yellow       |         |        | 4551611  | 2500   |
|     | MALE HOLDER               | 5+4   | PA66 GF13 | Black  | Red          |         |        | 4551612  | 2500   |
|     | MALE HOLDER               | 3+3+3 | PA66 GF13 | Black  | Green        |         |        | 4551613  | 2500   |
| 2   | EARTH MALE HOLDER         | 9     | PA66 GF13 | Black  |              |         |        | 4551614  | 2000   |
| 3   | EARTH MALE HOLDER TCK 12S | 9     | PA66 GF13 | Black  |              |         |        | 4551615  | 2000   |
| 4   | FEMALE HOLDER             | 9     | PBT       | Black  |              | 4410605 | 10     | 4551605  | 2500   |
|     | FEMALE HOLDER             | 9     | PBT       | Blue   |              |         |        | 4551606  | 2500   |
|     | FEMALE HOLDER             | 9     | PBT       | Green  |              |         |        | 4551607  | 2500   |
| 5   | FIXING PLATE              |       | PA66      | Black  |              |         |        | 0300397  | 1000   |

CONNECTIONS AND FIXINGS



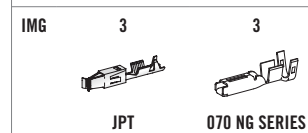


## JOINT 18-WAY

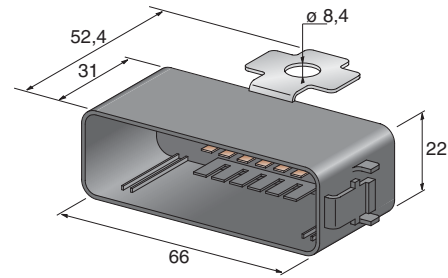


| IMG | DESCRIPTION               | WAY | MATERIAL  | COLOUR | P/N BULK | M.O.Q. |
|-----|---------------------------|-----|-----------|--------|----------|--------|
| 1   | EARTH MALE HOLDER         | 18  | PA66 GF30 | Black  | 4510125  | 300    |
| 2   | EARTH MALE HOLDER TCK 12S | 18  | PA66 GF30 | Black  | 4510135  | 300    |
| 3   | FEMALE HOLDER             | 18  | PA66 GF30 | Black  | 4510120  | 1500   |

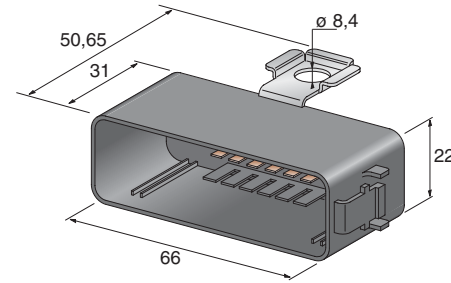
## CONNECTIONS AND FIXINGS



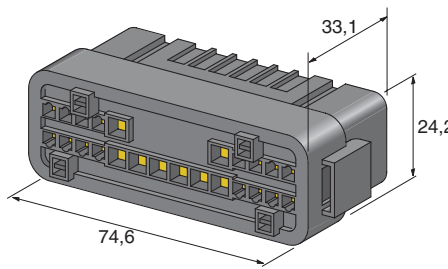
# JOINT 24-WAY



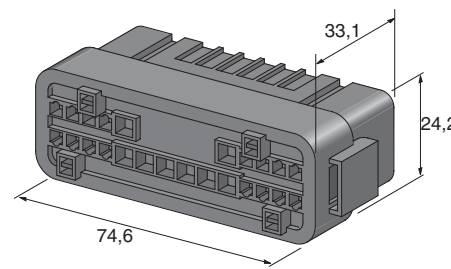
1



2



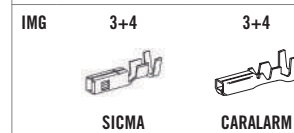
3



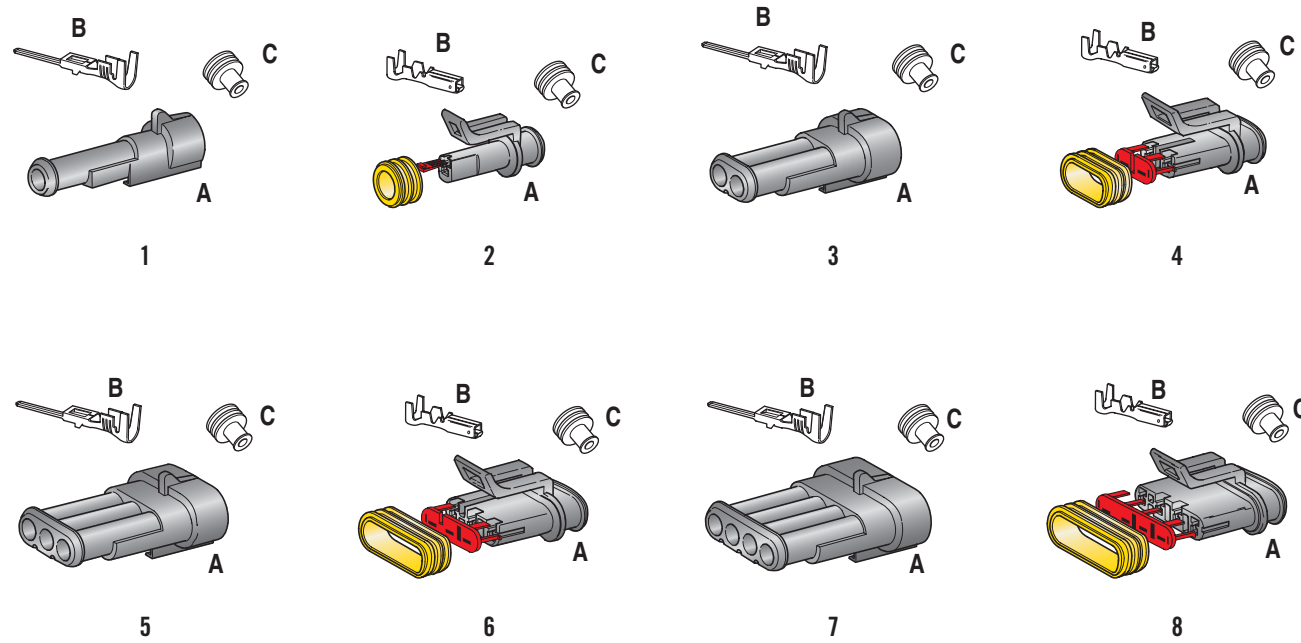
4

| IMG | DESCRIPTION               | WAY | MATERIAL  | COLOUR | P/N BULK | M.O.Q. |
|-----|---------------------------|-----|-----------|--------|----------|--------|
| 1   | EARTH MALE HOLDER W.P.    | 24  | PA66 GF30 | Black  | 4510115  | 600    |
| 2   | EARTH MALE HOLDER TCK 12S | 24  | PA66 GF30 | Black  | 4510130  | 600    |
| 3   | FEMALE HOLDER W.P.        | 24  | PA66 GF30 | Black  | 4510110  | 400    |
| 4   | FEMALE HOLDER             | 24  | PA66 GF30 | Black  | 4510145  | 600    |

CONNECTIONS AND FIXINGS



## SUPERSEAL 1,5



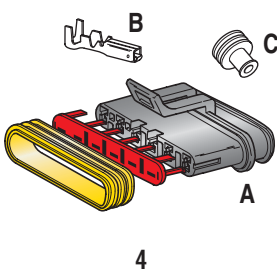
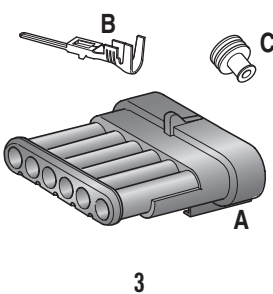
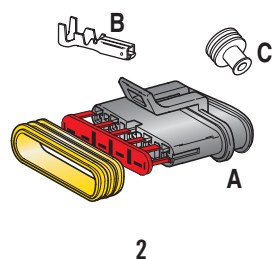
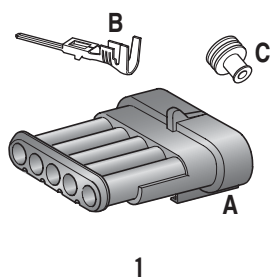
| IMG | DESCRIPTION              | WAY | MATERIAL | COLOUR | P/N BOX | M.O.Q. |
|-----|--------------------------|-----|----------|--------|---------|--------|
| 1   | S-SEAL 1,5 MALE HOLDER   | 1   | PA 66    | Black  | 4423610 | 10     |
|     | KIT A+B+C                | 1   | PA 66    |        | 3050123 | 1      |
| 2   | S-SEAL 1,5 FEMALE HOLDER | 1   | PA 66    | Black  | 4423620 | 10     |
|     | KIT A+B+C                | 1   | PA 66    |        | 3050124 | 1      |
| 3   | S-SEAL 1,5 MALE HOLDER   | 2   | PA 66    | Black  | 4423630 | 10     |
|     | KIT A+B+C                | 2   | PA 66    |        | 3050125 | 1      |
| 4   | S-SEAL 1,5 FEMALE HOLDER | 2   | PA 66    | Black  | 4423640 | 10     |
|     | KIT A+B+C                | 2   | PA 66    |        | 3050126 | 1      |
| 5   | S-SEAL 1,5 MALE HOLDER   | 3   | PA 66    | Black  | 4423650 | 10     |
|     | KIT A+B+C                | 3   | PA 66    |        | 3050127 | 1      |
| 6   | S-SEAL 1,5 FEMALE HOLDER | 3   | PA 66    | Black  | 4423660 | 10     |
|     | KIT A+B+C                | 3   | PA 66    |        | 3050128 | 1      |
| 7   | S-SEAL 1,5 MALE HOLDER   | 4   | PA 66    | Black  | 4423670 | 10     |
|     | KIT A+B+C                | 4   | PA 66    |        | 3050129 | 1      |
| 8   | S-SEAL 1,5 FEMALE HOLDER | 4   | PA 66    | Black  | 4423680 | 10     |
|     | KIT A+B+C                | 4   | PA 66    |        | 3050130 | 1      |

## CONNECTIONS AND FIXINGS

| IMG | 1+3+5+7     | 2+4+6+8     |
|-----|-------------|-------------|
|     |             |             |
|     | S-SEAL M150 | S-SEAL F150 |

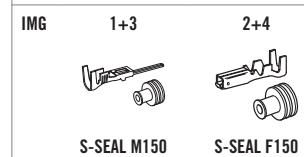


# SUPERSEAL 1,5

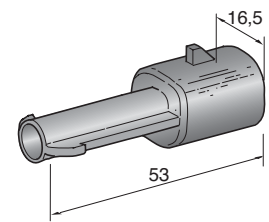


| IMG | DESCRIPTION              | WAY | MATERIAL | COLOUR | P/N BOX | M.O.Q. |
|-----|--------------------------|-----|----------|--------|---------|--------|
| 1   | S-SEAL 1,5 MALE HOLDER   | 5   | PA 66    | Black  | 4423690 | 10     |
|     | KIT A+B+C                | 5   | PA 66    |        | 3050131 | 1      |
| 2   | S-SEAL 1,5 FEMALE HOLDER | 5   | PA 66    | Black  | 4423700 | 10     |
|     | KIT A+B+C                | 5   | PA 66    |        | 3050132 | 1      |
| 3   | S-SEAL 1,5 MALE HOLDER   | 6   | PA 66    | Black  | 4423710 | 10     |
|     | KIT A+B+C                | 6   | PA 66    |        | 3050133 | 1      |
| 4   | S-SEAL 1,5 FEMALE HOLDER | 6   | PA 66    | Black  | 4423720 | 10     |
|     | KIT A+B+C                | 6   | PA 66    |        | 3050134 | 1      |

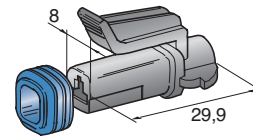
### CONNECTIONS AND FIXINGS



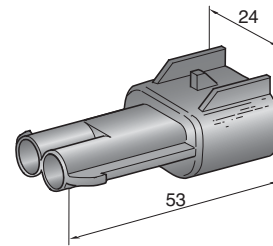
## SEAL 2,8 &amp; 6,3



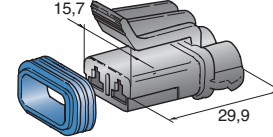
1



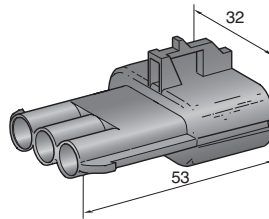
2



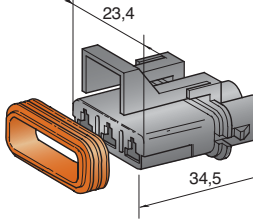
3



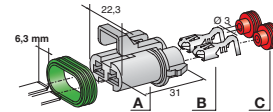
4



5



6

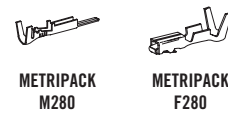


7

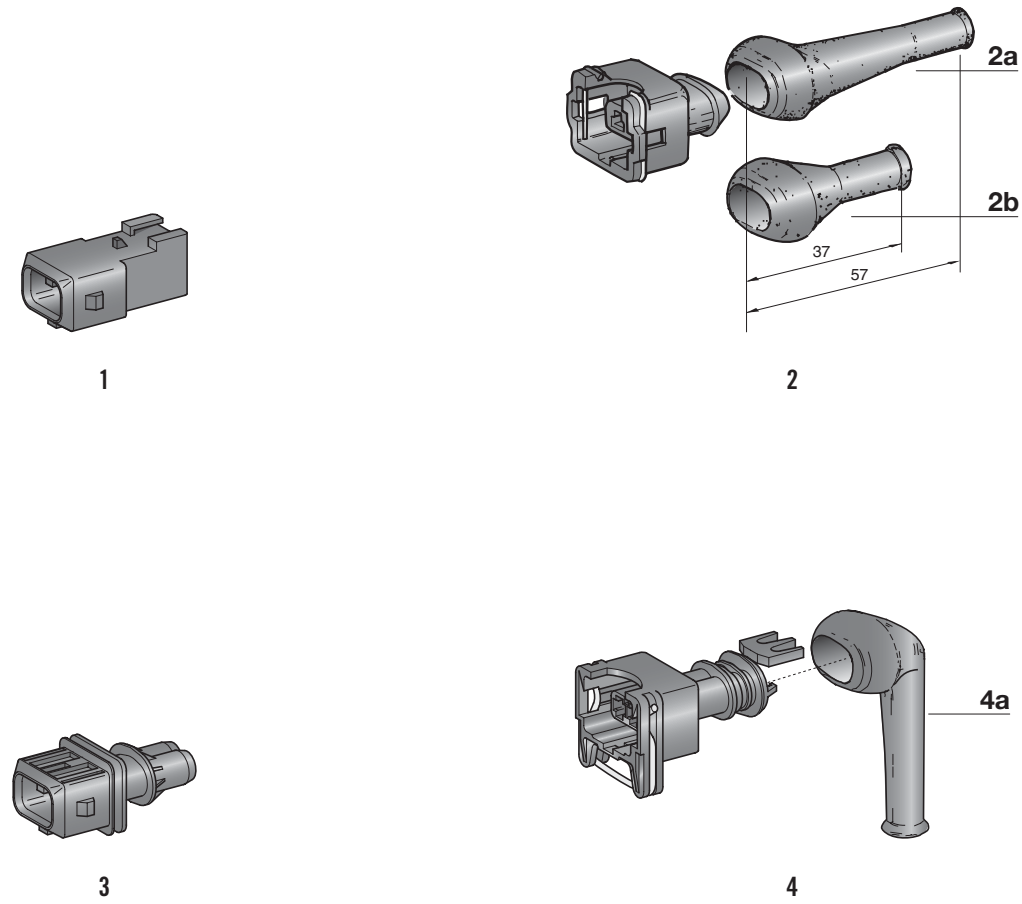
| IMG | DESCRIPTION  | WAY | MATERIAL | COLOUR | P/N BOX | M.O.Q. |
|-----|--|-----|----------|--------|---------|--------|
| 1   | SEAL 2,8 MALE HOLDER                                 | 1   | PA 66    | Black  | 4423520 | 5      |
| 2   | SEAL 2,8 FEMALE HOLDER                               | 1   | PA 66    | Black  | 4423510 | 5      |
| 3   | SEAL 2,8 MALE HOLDER                                 | 2   | PA 66    | Black  | 4423540 | 5      |
| 4   | SEAL 2,8 FEMALE HOLDER                               | 2   | PA 66    | Black  | 4423530 | 5      |
| 5   | SEAL 2,8 MALE HOLDER                                 | 3   | PA 66    | Black  | 4423560 | 5      |
| 6   | SEAL 2,8 FEMALE HOLDER                               | 3   | PA 66    | Black  | 4423550 | 5      |
| 7   | KIT SEAL 6,3 FEMALE HOLDER WITH TERMINALS AND GASKET | 2   | PA 66    | Black  | 4433800 | 1      |

## CONNECTIONS AND FIXINGS

IMG 1+3+5 2+4+6

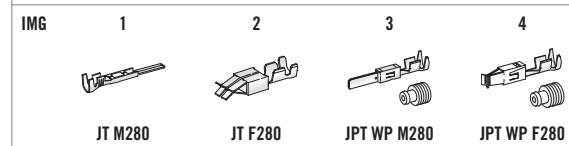
METRIPACK  
M280METRIPACK  
F280

J.T.& J.P.T.

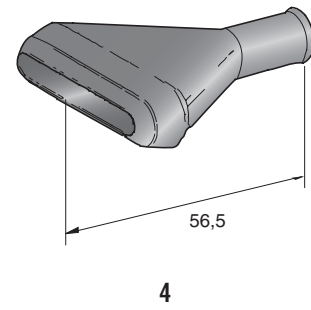
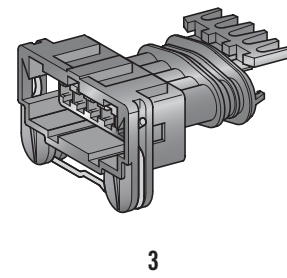
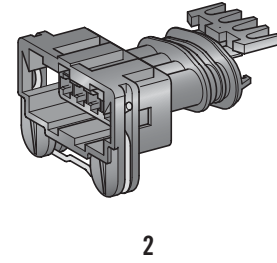
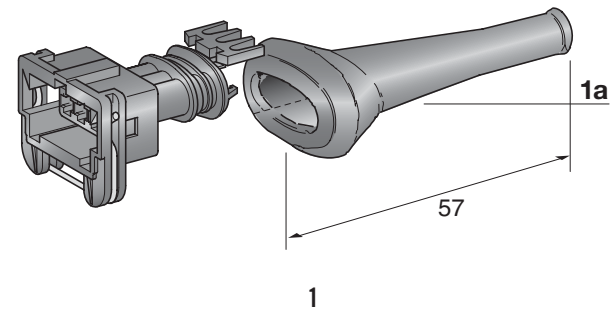


| IMG | DESCRIPTION   | WAY | MATERIAL | COLOUR | P/N BOX | M.O.Q. | P/N BULK | M.O.Q. |
|-----|---------------|-----|----------|--------|---------|--------|----------|--------|
| 1   | CONNECTOR JT  | 2   | PA       | Black  | 4410660 | 10     |          |        |
| 2   | CONNECTOR JT  | 2   | PA       | Black  | 4420900 | 10     | 4520900  | 500    |
| 2a  | COVER         |     | RUBBER   | Black  | 4420901 | 10     | 4520901  | 500    |
| 2b  | COVER         |     | RUBBER   | Black  | 4420902 | 10     | 4520902  | 500    |
| 3   | CONNECTOR JPT | 2   | PA       | Black  | 4410661 | 10     |          |        |
| 4   | CONNECTOR JPT | 2   | PA       | Black  | 4420910 | 10     | 4520910  | 500    |
| 4a  | COVER         |     | RUBBER   | Black  | 4420911 | 10     | 4520911  | 500    |

CONNECTIONS AND FIXINGS



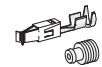
## J.T.&amp; J.P.T.



| IMG | DESCRIPTION   | WAY | MATERIAL | COLOUR | P/N BOX | M.O.Q. | P/N BULK | M.O.Q. |
|-----|---------------|-----|----------|--------|---------|--------|----------|--------|
| 1   | CONNECTOR JPT | 3   | PA       | Black  | 4420920 | 10     |          |        |
| 1a  | COVER         |     | RUBBER   | Black  | 4420921 | 10     | 4520921  | 500    |
| 2   | CONNECTOR JPT | 4   | PA       | Black  | 4410655 | 10     |          |        |
| 3   | CONNECTOR JPT | 5   | PA       | Black  | 4410656 | 10     |          |        |
| 4   | COVER         | 7   | RUBBER   | Black  | 4420931 | 5      | 4520931  | 500    |

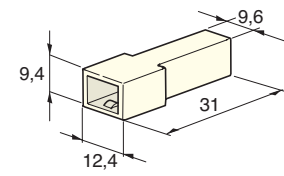
## CONNECTIONS AND FIXINGS

IMG 1+2+3

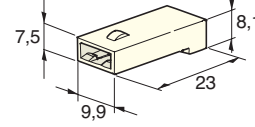


JPT WP F280

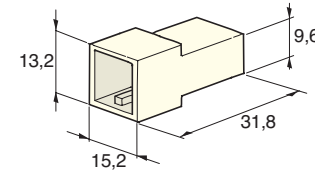
# MULTIPLE 6,3



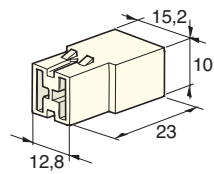
1



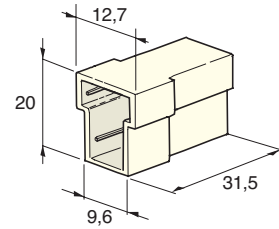
2



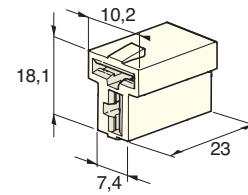
3



4



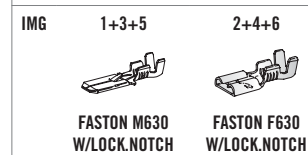
5



6

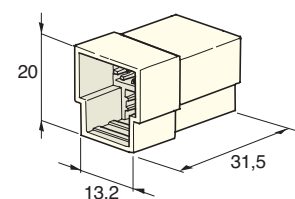
| IMG | DESCRIPTION   | WAY | MATERIAL | COLOUR                           | P/N BOX | M.Q.Q. | P/N BULK | M.Q.Q. |
|-----|---------------|-----|----------|----------------------------------|---------|--------|----------|--------|
| 1   | MALE HOLDER   | 1   | PA       | <input type="checkbox"/> Neutral | 4410150 | 100    | 4510150  | 2500   |
| 2   | FEMALE HOLDER | 1   | PA       | <input type="checkbox"/> Neutral | 4410160 | 100    | 4510160  | 2500   |
| 3   | MALE HOLDER   | 2   | PA       | <input type="checkbox"/> Neutral | 4410170 | 50     | 4510170  | 2500   |
| 4   | FEMALE HOLDER | 2   | PA       | <input type="checkbox"/> Neutral | 4410180 | 50     | 4510180  | 2500   |
| 5   | MALE HOLDER   | 2   | PA       | <input type="checkbox"/> Neutral | 4410190 | 50     | 4510190  | 2500   |
| 6   | FEMALE HOLDER | 2   | PA       | <input type="checkbox"/> Neutral | 4410200 | 50     | 4510200  | 2500   |

CONNECTIONS AND FIXINGS

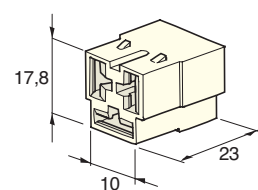




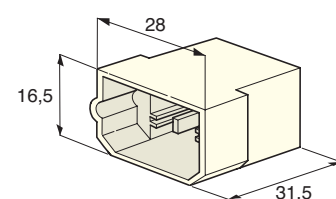
## MULTIPLE 6,3



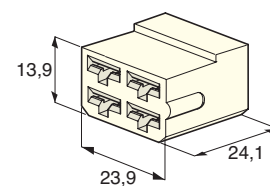
1



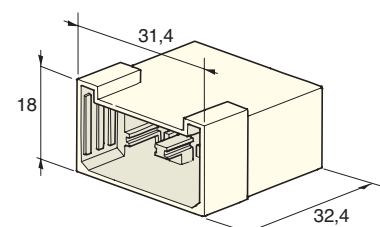
2



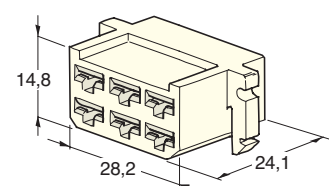
3



4





5



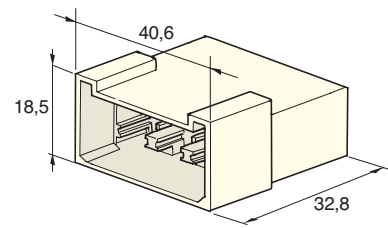
6

| IMG | DESCRIPTION   | WAY | MATERIAL | COLOUR                           | P/N BOX | M.Q.Q. | P/N BULK | M.Q.Q. |
|-----|---------------|-----|----------|----------------------------------|---------|--------|----------|--------|
| 1   | MALE HOLDER   | 3   | PA       | <input type="checkbox"/> Neutral | 4410210 | 50     | 4510210  | 2500   |
| 2   | FEMALE HOLDER | 3   | PA       | <input type="checkbox"/> Neutral | 4410220 | 50     | 4510220  | 2500   |
| 3   | MALE HOLDER   | 4   | PA       | <input type="checkbox"/> Neutral | 4410230 | 25     | 4510230  | 2500   |
| 4   | FEMALE HOLDER | 4   | PA       | <input type="checkbox"/> Neutral | 4410240 | 25     | 4510240  | 2500   |
| 5   | MALE HOLDER   | 6   | PA       | <input type="checkbox"/> Neutral | 4410250 | 25     | 4510250  | 1000   |
| 6   | FEMALE HOLDER | 6   | PA       | <input type="checkbox"/> Neutral | 4410260 | 25     | 4510260  | 1000   |

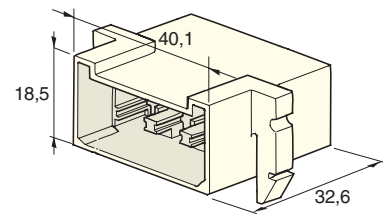
## CONNECTIONS AND FIXINGS

| IMG   | 1+3+5   | 2+4+6 |
|---|---|-------|
|  |  |       |
| FASTON M630<br>W/LOCK.NOTCH   | FASTON F630<br>W/LOCK.NOTCH   |       |

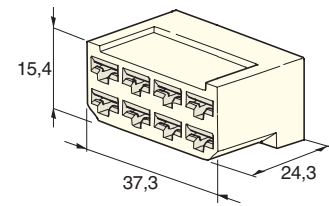
# MULTIPLE 6,3



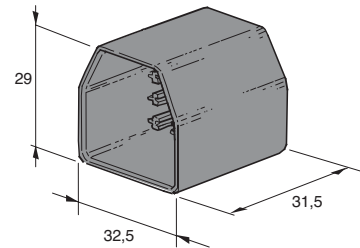
1



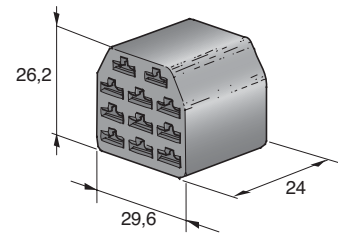
2



3



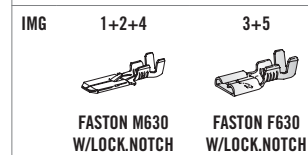
4



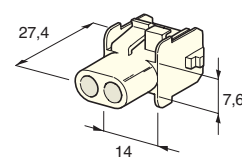
5

| IMG | DESCRIPTION   | WAY | MATERIAL | COLOUR    | P/N BOX | M.O.Q. | P/N BULK | M.O.Q. |
|-----|---------------|-----|----------|-----------|---------|--------|----------|--------|
| 1   | MALE HOLDER   | 8   | PA       | ☐ Neutral | 4410270 | 20     | 4510270  | 1000   |
| 2   | MALE HOLDER   | 8   | PA       | ☐ Neutral | 4410290 | 10     | 4510290  | 1000   |
| 3   | FEMALE HOLDER | 8   | PA       | ☐ Neutral | 4410280 | 20     | 4510280  | 1000   |
| 4   | MALE HOLDER   | 11  | PA       | ■ Black   | 4410295 | 20     | 4510295  | 150    |
| 5   | FEMALE HOLDER | 11  | PA       | ■ Black   | 4410296 | 20     | 4510296  | 250    |

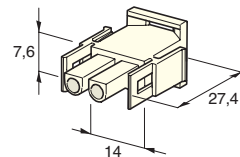
CONNECTIONS AND FIXINGS



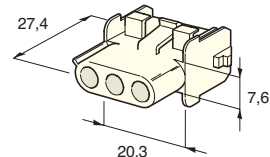
## MATE-N-LOCK



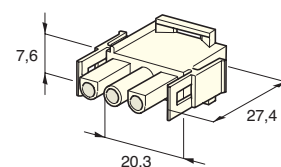
1



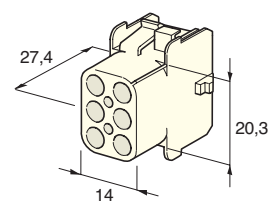
2



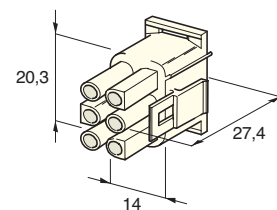
3



4



5



6

| IMG | DESCRIPTION        | WAY | MATERIAL | COLOUR                           | P/N BOX | M.O.Q. |
|-----|--------------------|-----|----------|----------------------------------|---------|--------|
| 1   | MALE/FEMALE HOLDER | 2   | PA       | <input type="checkbox"/> Neutral | 4426040 | 10     |
| 2   | MALE/FEMALE HOLDER | 2   | PA       | <input type="checkbox"/> Neutral | 4426030 | 10     |
| 3   | MALE/FEMALE HOLDER | 3   | PA       | <input type="checkbox"/> Neutral | 4426060 | 10     |
| 4   | MALE/FEMALE HOLDER | 3   | PA       | <input type="checkbox"/> Neutral | 4426050 | 10     |
| 5   | MALE/FEMALE HOLDER | 6   | PA       | <input type="checkbox"/> Neutral | 4426120 | 10     |
| 6   | MALE/FEMALE HOLDER | 6   | PA       | <input type="checkbox"/> Neutral | 4426110 | 10     |

## CONNECTIONS AND FIXINGS

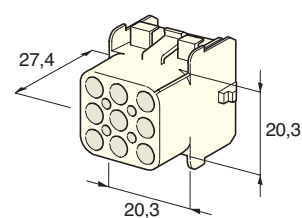
IMG 1+2+3+4+5+6 1+2+3+4+5+6



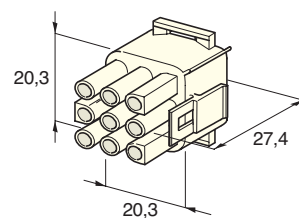
MATE-N-LOCK F2 MATE-N-LOCK M2



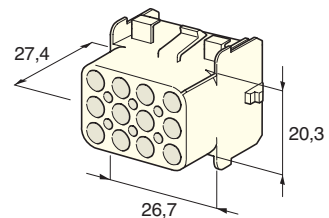
# MATE-N-LOCK



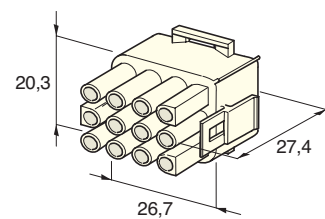
1



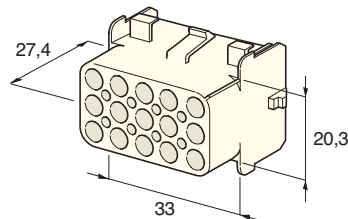
2



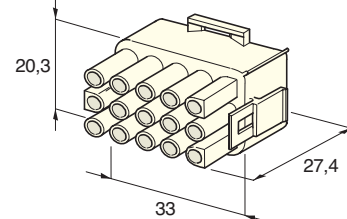
3



4



5



6

| IMG | DESCRIPTION        | WAY | MATERIAL | COLOUR                           | P/N BOX | M.O.Q. |
|-----|--------------------|-----|----------|----------------------------------|---------|--------|
| 1   | MALE/FEMALE HOLDER | 9   | PA       | <input type="checkbox"/> Neutral | 4426140 | 10     |
| 2   | MALE/FEMALE HOLDER | 9   | PA       | <input type="checkbox"/> Neutral | 4426130 | 10     |
| 3   | MALE/FEMALE HOLDER | 12  | PA       | <input type="checkbox"/> Neutral | 4426160 | 10     |
| 4   | MALE/FEMALE HOLDER | 12  | PA       | <input type="checkbox"/> Neutral | 4426150 | 10     |
| 5   | MALE/FEMALE HOLDER | 15  | PA       | <input type="checkbox"/> Neutral | 4426180 | 10     |
| 6   | MALE/FEMALE HOLDER | 15  | PA       | <input type="checkbox"/> Neutral | 4426170 | 10     |

### CONNECTIONS AND FIXINGS

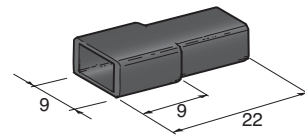
IMG 1+2+3+4+5+6 1+2+3+4+5+6



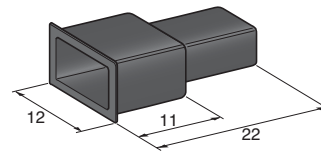
MATE-N-LOCK F2 MATE-N-LOCK M2



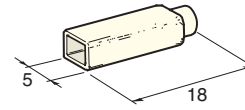
## TERMINAL COVERS



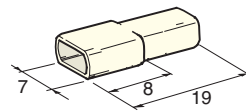
1



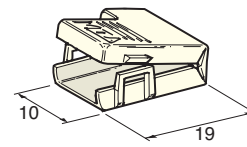
2



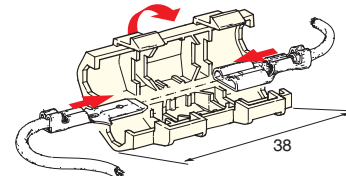
3



4



5



6

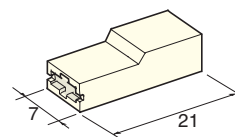
| IMG | DESCRIPTION      | MATERIAL | COLOUR  | P/N BOX | M.O.Q. | P/N BULK | M.O.Q. |
|-----|------------------|----------|---------|---------|--------|----------|--------|
| 1   | FEMALE 6,3 COVER | PE       | Black   | 4410070 | 200    | 4510070  | 20000  |
|     | FEMALE 6,3 COVER | PE       | Yellow  | 4410072 | 200    |          |        |
|     | FEMALE 6,3 COVER | PE       | Blue    | 4410073 | 200    | 4510073  | 20000  |
|     | FEMALE 6,3 COVER | PE       | Red     | 4410074 | 200    | 4510074  | 20000  |
|     | FEMALE 6,3 COVER | PE       | Neutral | 4410076 | 200    | 4510076  | 20000  |
| 2   | MALE 6,3 COVER   | PE       | Black   | 4410080 | 200    | 4510080  | 20000  |
|     | MALE 6,3 COVER   | PE       | Yellow  | 4410082 | 200    |          |        |
|     | MALE 6,3 COVER   | PE       | Red     | 4410084 | 200    |          |        |
|     | MALE 6,3 COVER   | PE       | Neutral | 4410086 | 200    | 4510086  | 20000  |
| 3   | FEMALE 2,8 COVER | PE       | Neutral | 4410065 | 200    |          |        |
| 4   | FEMALE 4,8 COVER | PE       | Neutral | 4410068 | 200    |          |        |
| 5   | FLAG 6,3 COVER   | PA       | Neutral | 4410060 | 200    |          |        |
| 6   | FASTON 6,3 COVER | PA       | Neutral | 4410083 | 50     |          |        |

## CONNECTIONS AND FIXINGS

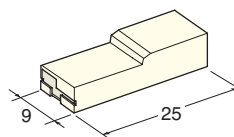
| IMG | 1+6         | 2+6         | 3           | 4           | 5                |
|-----|-------------|-------------|-------------|-------------|------------------|
|     |             |             |             |             |                  |
|     | FASTON F630 | FASTON M630 | FASTON F280 | FASTON F480 | FASTON F630 FLAG |



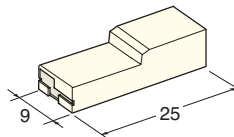
# TERMINAL COVERS



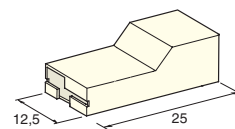
1



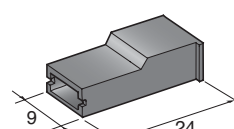
2



3



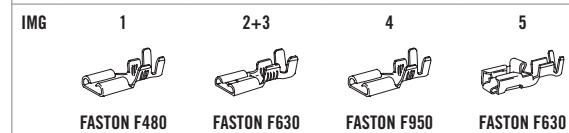
4



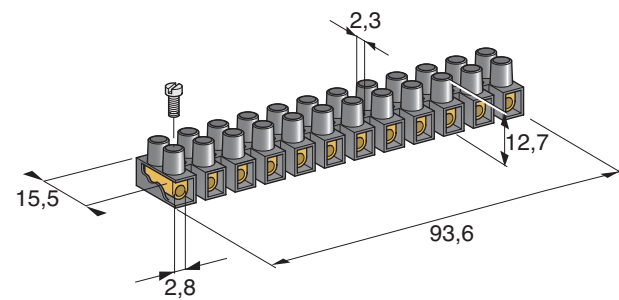
5

| IMG | DESCRIPTION      | MATERIAL | COLOUR                                    | P/N BOX | M.O.Q. | P/N BULK | M.O.Q. |
|-----|------------------|----------|---|---------|--------|----------|--------|
| 1   | FEMALE 4,8 COVER | PA       | <input type="checkbox"/> Neutral          | 4410062 | 200    |          |        |
| 2   | FEMALE 6,3 COVER | PA       | <input type="checkbox"/> Neutral          | 4410077 | 200    | 4510077  | 20000  |
| 3   | FEMALE 6,3 COVER | PA       | <input type="checkbox"/> Neutral          | 4410078 | 200    |          |        |
| 4   | FEMALE 9,5 COVER | PA       | <input type="checkbox"/> Neutral          | 4410079 | 50     |          |        |
| 5   | FEMALE 6,3 COVER | PA       | <input checked="" type="checkbox"/> Black | 4420800 | 50     |          |        |

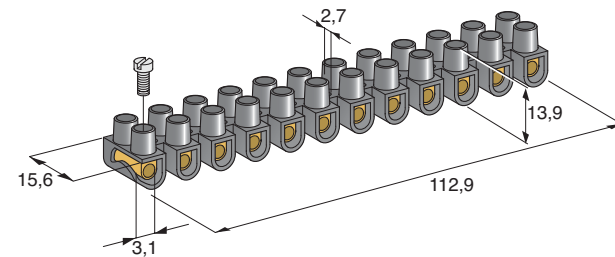
### CONNECTIONS AND FIXINGS



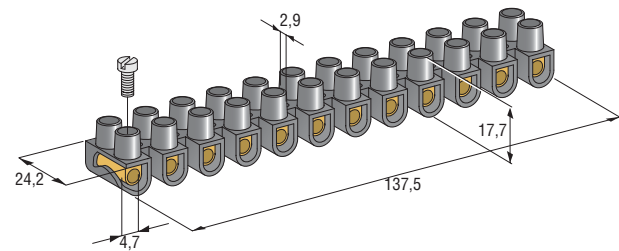
## CONNECTOR STRIPS



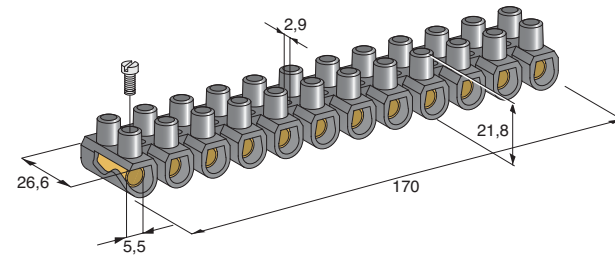
1



2



3



4

| IMG | DESCRIPTION     | WAY | MATERIAL | VOLT | In  | OPERATION TEMP | CABLE SECTION mm <sup>2</sup> | P/N BOX | M.O.Q. |
|-----|-----------------|-----|----------|------|-----|----------------|-------------------------------|---------|--------|
| 1   | CONNECTOR STRIP | 12  | PP Black | 380  | 24A | 85°C           | 2,5                           | 4430100 | 10     |
| 2   | CONNECTOR STRIP | 12  | PP Black | 380  | 24A | 85°C           | 6                             | 4430110 | 10     |
| 3   | CONNECTOR STRIP | 12  | PP Black | 450  | 24A | 85°C           | 12                            | 4430120 | 10     |
| 4   | CONNECTOR STRIP | 12  | PP Black | 450  | 24A | 85°C           | 16                            | 4430130 | 10     |

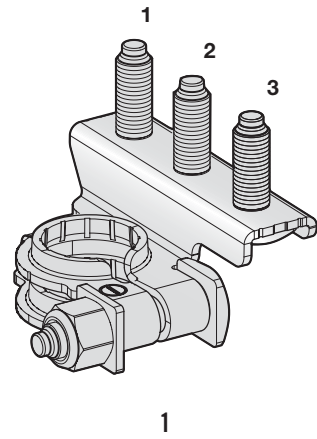


# BATTERY TERMINALS

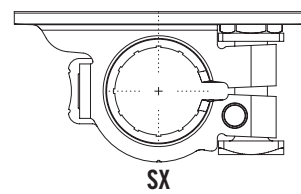
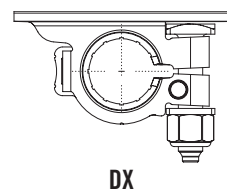




# DOUBLE RING

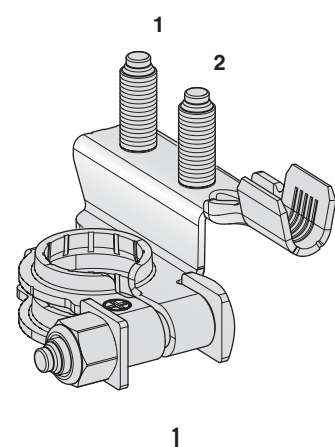


| IMG | DESCRIPTION | POLARITY | SCREW 1 | SCREW 2 | SCREW 3 | MATERIAL | MATERIAL THICKNESS mm | P/N BOX | M.O.Q. | P/N BULK | M.O.Q. |
|-----|-------------|----------|---------|---------|---------|----------|-----------------------|---------|--------|----------|--------|
| 1   | M686DX      | +        | M6      | M8      | M6      | CuZn-Sn  | 1,5                   | 1507701 | 10     | 1507700  | 200    |
|     | M686DX      | -        | M6      | M8      | M6      | CuZn-Sn  | 1,5                   | 1507704 | 10     | 1507705  | 250    |
|     | M686SX      | +        | M6      | M8      | M6      | CuZn-Sn  | 1,5                   |         |        | 1507720  | 250    |
|     | M666DX      | +        | M6      | M6      | M6      | CuZn-Sn  | 1,5                   |         |        | 1507703  | 200    |
|     | M666DX      | -        | M6      | M6      | M6      | CuZn-Sn  | 1,5                   |         |        | 1507707  | 220    |
|     | M666SX      | +        | M6      | M6      | M6      | CuZn-Sn  | 1,5                   |         |        | 1507708  | 220    |
|     | M666SX      | -        | M6      | M6      | M6      | CuZn-Sn  | 1,5                   |         |        | 1507736  | 200    |
|     | M668DX      | +        | M6      | M6      | M8      | CuZn-Sn  | 1,5                   |         |        | 1507710  | 180    |
|     | M080SX      | +        | /       | M8      | /       | CuZn-Sn  | 1,5                   |         |        | 1507760  | 250    |
|     | M606DX      | +        | M6      | /       | M6      | CuZn-Sn  | 1,5                   |         |        | 1507772  | 250    |
|     | M606SX      | +        | M6      | /       | M6      | CuZn-Sn  | 1,5                   |         |        | 1507771  | 250    |
|     | M680DX      | -        | M6      | M8      | /       | CuZn-Sn  | 1,5                   |         |        | 1507785  | 250    |
|     | M868DX      | +        | M8      | M6      | M8      | CuZn-Sn  | 1,5                   |         |        | 1507790  | 200    |
|     | M868SX      | +        | M8      | M6      | M8      | CuZn-Sn  | 1,5                   |         |        | 1508001  | 180    |
|     | M806DX      | +        | M8      | /       | M6      | CuZn-Sn  | 1,5                   |         |        | 1507795  | 250    |

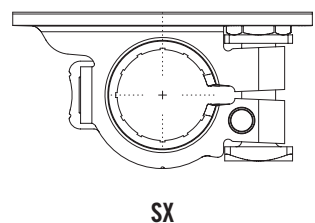
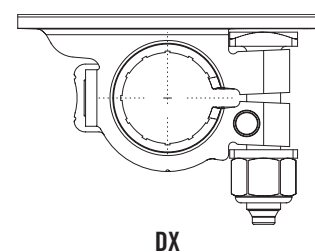




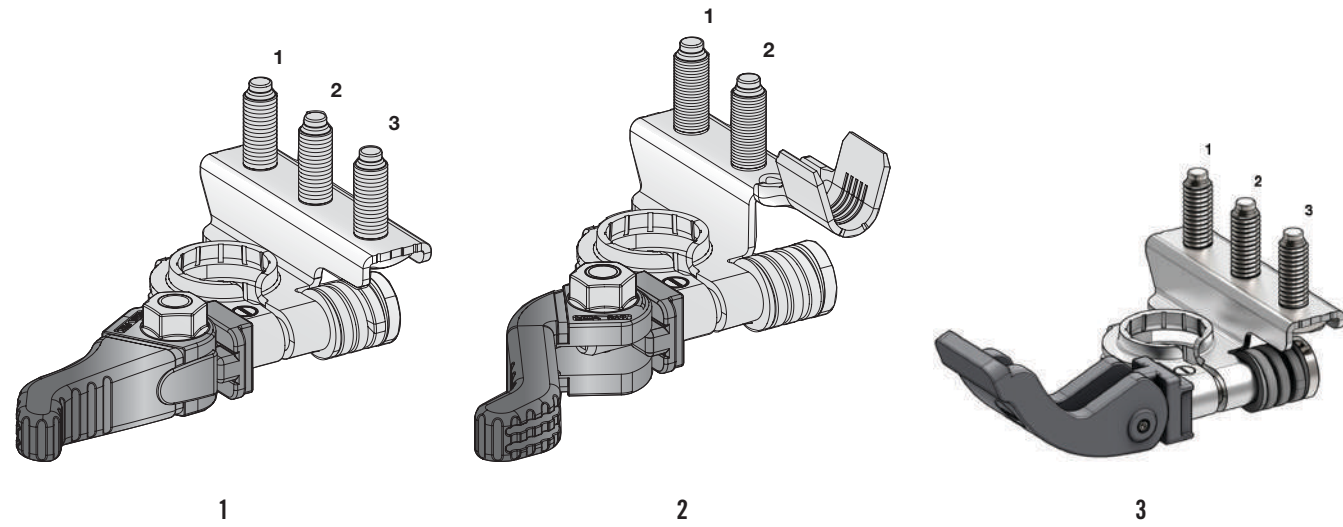
# DOUBLE RING



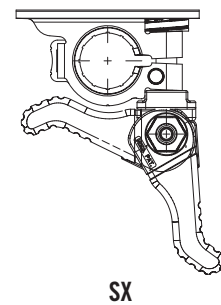
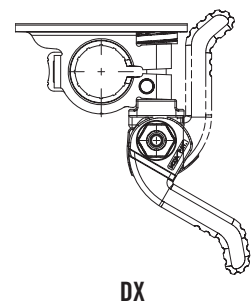
| IMG | DES.  | POLARITY | SCREW 1 | SCREW 2 | WIRE SECTION mm <sup>2</sup> | MATERIAL | MATERIAL THICKNESS mm | P/N BOX | M.O.Q. | P/N BULK | M.O.Q. |
|-----|-------|----------|---------|---------|------------------------------|----------|-----------------------|---------|--------|----------|--------|
| 1   | M66DX | +        | M6      | M6      | 10÷20                        | CuZn-Sn  | 1,3                   |         |        | 1507800  | 200    |
|     | M06SX | +        | /       | M6      | 10÷20                        | CuZn-Sn  | 1,3                   |         |        | 1507810  | 250    |
|     | M66DX | +        | M6      | M6      | 25÷40                        | CuZn-Sn  | 1,3                   | 1507821 | 10     | 1507820  | 200    |
|     | M66DX | -        | M6      | M6      | 25÷40                        | CuZn-Sn  | 1,3                   |         |        | 1507875  | 200    |
|     | M06SX | +        | /       | M6      | 25÷40                        | CuZn-Sn  | 1,3                   |         |        | 1507830  | 200    |
|     | M66SX | -        | M6      | M6      | 25÷40                        | CuZn-Sn  | 1,3                   |         |        | 1507885  | 200    |



# QUICK LOCK

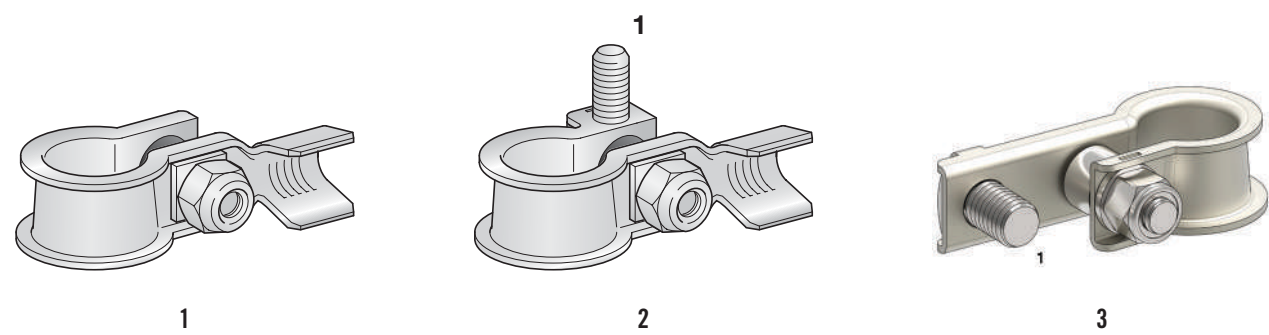


| IMG. | DES.   | POLARITY | SCREW 1 | SCREW 2 | SCREW 3 | WIRE SECTION mm <sup>2</sup> | MATERIAL  | MATERIAL THICKNESS mm | P/N BOX | M.O.Q. | P/N BULK | M.O.Q. |
|------|--------|----------|---------|---------|---------|------------------------------|-----------|-----------------------|---------|--------|----------|--------|
| 1    | M666SX | -        | M6      | M6      | M6      |                              | CuZn-Sn   | 1,5                   | 1507904 | 1      | 1507905  | 130    |
|      | M666SX | +        | M6      | M6      | M6      |                              | CuZn-Sn   | 1,5                   |         |        | 1507975  | 130    |
|      | M666DX | -        | M6      | M6      | M6      |                              | CuZn-Sn   | 1,5                   | 1507916 | 1      | 1507915  | 130    |
| 2    | M66DX  | -        | M6      | M6      |         | 10÷20                        | CuZn-Sn   | 1,3                   | 1507926 | 1      | 1507925  | 130    |
|      | M66DX  | -        | M6      | M6      |         | 25÷40                        | CuZn-Sn   | 1,3                   | 1507956 | 1      | 1507955  | 130    |
|      | M60DX  | -        | M6      |         |         | 10÷20                        | CuZn-Sn   | 1,3                   |         |        | 1507946  | 100    |
|      | M66DX  | -        | M6      | M6      |         | AWG1                         | CuZn-Sn   | 1,3                   |         |        | 1507957  | 200    |
| 3    | VQR    | -        | M6      | M6      | M6      |                              | CuZn33-Sn | 1,5                   |         |        | 1507601  | TBD    |

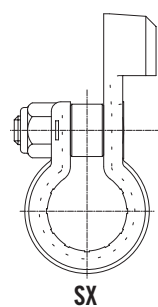
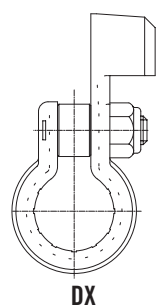




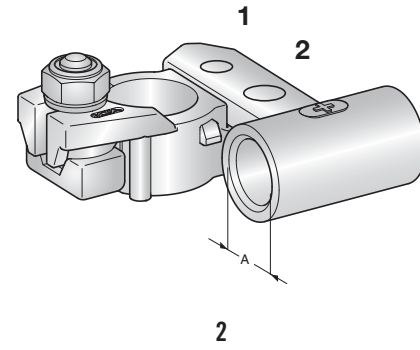
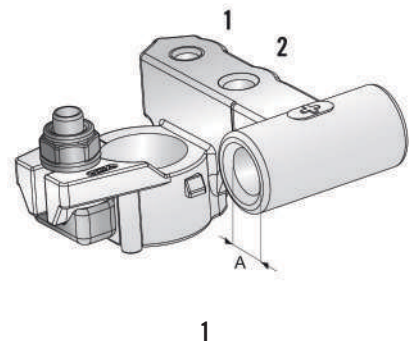
# STRIP TYPE



| IMG | DESCRIPTION | POLARITY | SCREW(1) | WIRE SECTION mm <sup>2</sup> | MATERIAL | MATERIAL THICKNESS mm | P/N BOX | M.O.Q. | P/N BULK | M.O.Q. |
|-----|-------------|----------|----------|------------------------------|----------|-----------------------|---------|--------|----------|--------|
| 1   | STRIP DX    | -        |          | 10÷20                        | CuZn-Sn  | 1,2                   | 1506656 | 10     | 1506655  | 400    |
|     | STRIP DX    | -        |          | 25÷40                        | CuZn-Sn  | 1,2                   | 1506666 | 10     | 1506665  | 400    |
|     | STRIP SX    | -        |          | 10÷20                        | CuZn-Sn  | 1,2                   |         |        | 1506658  | 400    |
|     | STRIP SX    | -        |          | 25÷40                        | CuZn-Sn  | 1,2                   |         |        | 1506668  | 400    |
|     | STRIP DX    | +        |          | 10÷20                        | CuZn-Sn  | 1,2                   | 1506721 | 10     | 1506720  | 400    |
|     | STRIP DX    | +        |          | 25÷40                        | CuZn-Sn  | 1,2                   | 1506731 | 10     | 1506730  | 400    |
| 2   | STRIP DX    | -        | M6       | 10÷20                        | CuZn-Sn  | 1,2                   |         |        | 1506650  | 400    |
|     | STRIP DX    | -        | M6       | 25÷40                        | CuZn-Sn  | 1,2                   |         |        | 1506660  | 400    |
| 3   | STRIP DX    | -        | M8       |                              | CuZn-Sn  | 1,2                   |         |        | 1506675  | 400    |
|     | STRIP SX    | -        | M8       |                              | CuZn-Sn  | 1,2                   |         |        | 1506678  | 400    |

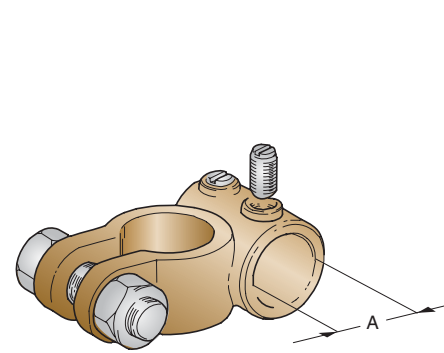


# DIE CAST

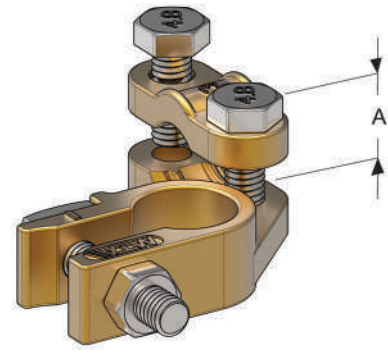


| IMG | DESCRIPTION | POLARITY | SCREW 1 | SCREW 2 | MATERIAL | A mm <sup>2</sup> | P/N BOX | M.O.Q. | P/N BULK | M.O.Q. |
|-----|-------------|----------|---------|---------|----------|-------------------|---------|--------|----------|--------|
| 1   | DIE CAST    | +        | M6      | M8      | BRASS Sn | 50                |         |        | 1506765  | 70     |
| 2   | DIE CAST    | +        | M6      | M8      | BRASS Sn | 70                | 1506741 | 1      | 1506740  | 150    |
|     | DIE CAST    | -        | M6      | M8      | BRASS Sn | 50                | 1506761 | 1      | 1506760  | 150    |

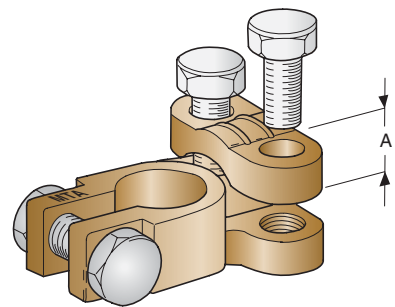
# DIE CAST



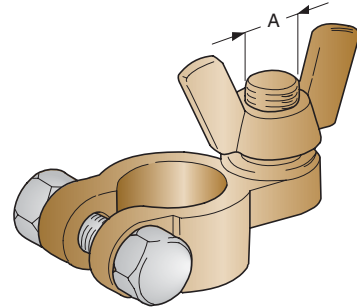
1



2



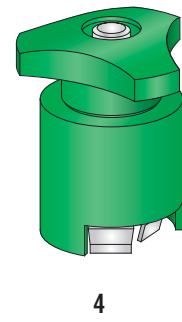
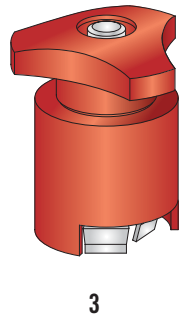
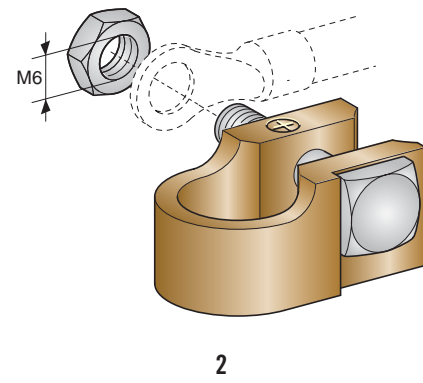
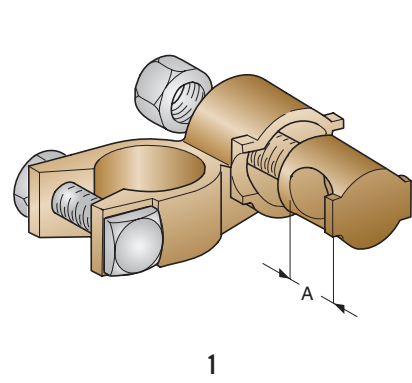
3



4

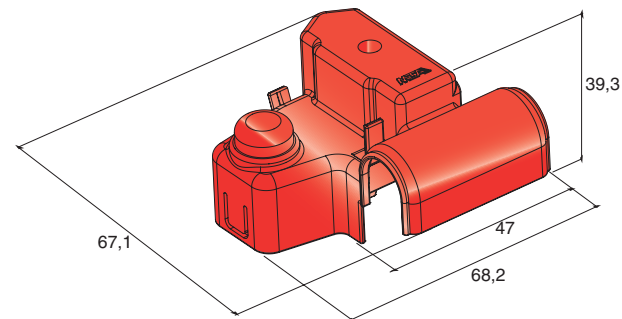
| IMG | DESCRIPTION | POLARITY | MATERIAL | A<br>mm <sup>2</sup> | P/N<br>BOX | M.O.Q. |
|-----|-------------|----------|----------|----------------------|------------|--------|
| 1   | DIE CAST    | +        | BRASS    | 50                   | 1506060    | 25     |
|     | DIE CAST    | -        | BRASS    | 50                   | 1506070    | 25     |
|     | DIE CAST    | +        | BRASS    | 70                   | 1506080    | 25     |
|     | DIE CAST    | -        | BRASS    | 70                   | 1506090    | 25     |
| 2   | DIE CAST    | +        | BRASS    | 25÷50                | 1506100    | 25     |
|     | DIE CAST    | -        | BRASS    | 25÷50                | 1506110    | 25     |
| 3   | DIE CAST    | +        | BRASS    | 25÷50                | 1506270    | 25     |
|     | DIE CAST    | -        | BRASS    | 25÷50                | 1506280    | 25     |
| 4   | DIE CAST    | +        | BRASS    | M10                  | 1506120    | 25     |
|     | DIE CAST    | -        | BRASS    | M8                   | 1506130    | 25     |

## DIE CAST & FRENCH TYPES

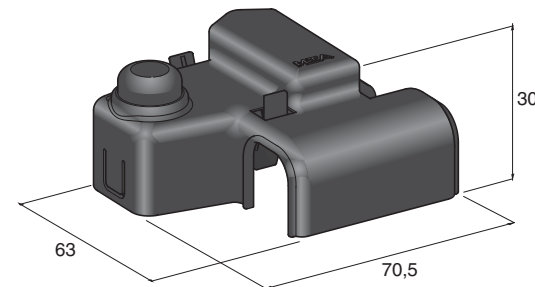


| IMG | DESCRIPTION      | POLARITY | WIRE SECTION mm <sup>2</sup> | MATERIAL   | P/N BOX | M.O.Q. |
|-----|------------------|----------|------------------------------|------------|---------|--------|
| 1   | BATTERY TERMINAL | +        | 25                           | BRASS      | 1506250 | 25     |
|     | BATTERY TERMINAL | -        | 25                           | BRASS      | 1506260 | 25     |
| 2   | BATTERY TERMINAL | +/-      | -                            | BRASS      | 1506820 | 1+1    |
| 3   | BATTERY TERMINAL | +        | -                            | PE - NYLON | 1506200 | 25     |
| 4   | BATTERY TERMINAL | -        | -                            | PE - NYLON | 1506210 | 25     |

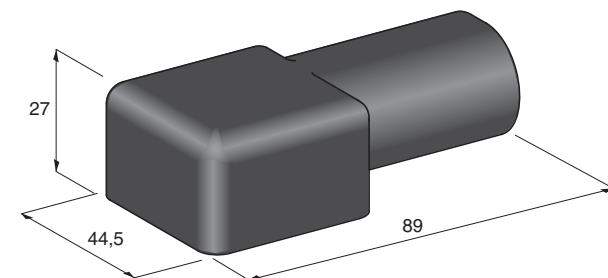
# PROTECTION COVERS



1

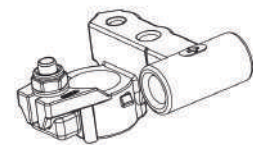


2

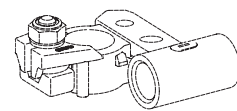


3

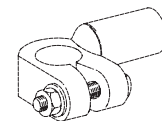
| IMG | DESCRIPTION       | POLARITY | MATERIAL | COLOUR | P/N BOX | M.Q.Q. | P/N BULK | M.Q.Q. |
|-----|-------------------|----------|----------|--------|---------|--------|----------|--------|
| 1   | COVER FOR 1506765 | +        | PP       | Red    |         |        | 4510499  | 500    |
| 2   | COVER FOR 150674X | +        | PP       | Red    | 4410496 | 10     | 4510496  | 500    |
|     | COVER FOR 150676X | -        | PP       | Black  |         |        | 4510497  | 500    |
| 3   | COVER             |          | EPDM     | Black  | 4410495 | 10     |          |        |



1



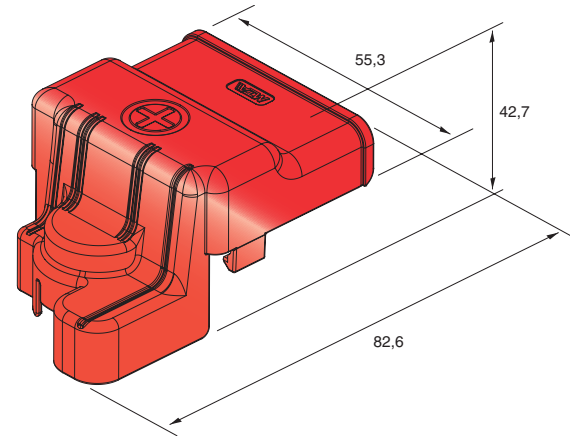
2



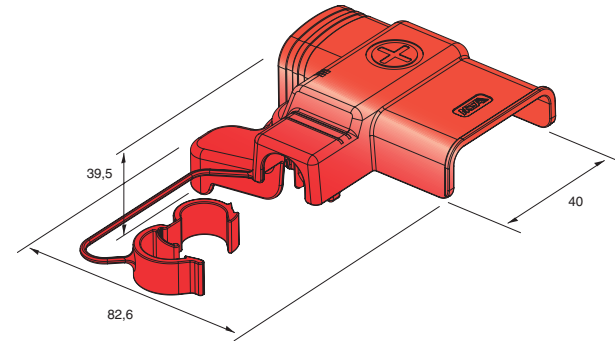
3



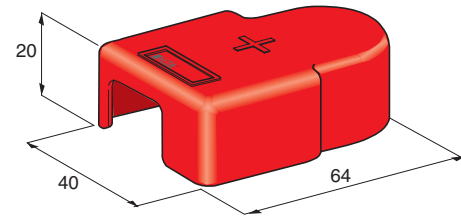
# PROTECTION COVERS



1

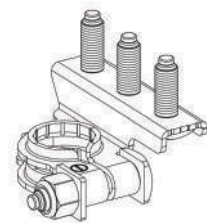


2

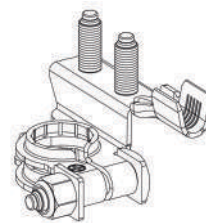


3

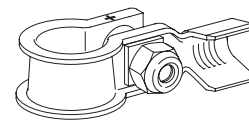
| IMG | DESCRIPTION                | POLARITY | MATERIAL | COLOUR | P/N BOX | M.Q.Q. | P/N BULK | M.Q.Q. |
|-----|----------------------------|----------|----------|--------|---------|--------|----------|--------|
| 1   | COVER FOR 15077XX          | +        | PP       | Red    |         |        | 4510503  | 100    |
| 2   | COVER FOR 15078XX          | +        | PP       | Red    |         |        | 4510502  | 100    |
| 3   | COVER FOR 1506720/21/30/31 | +        | PP       | Red    | 4410480 | 10     | 4510480  | 500    |



1



2



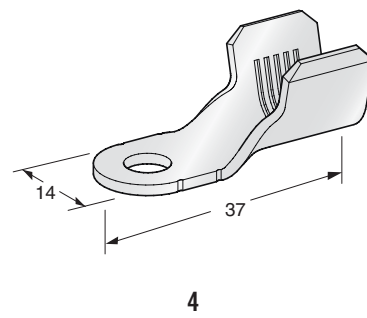
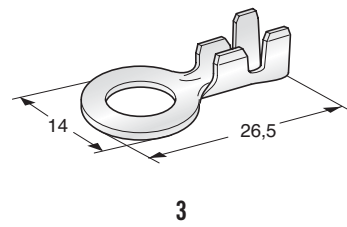
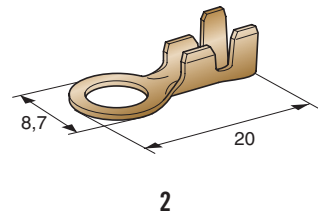
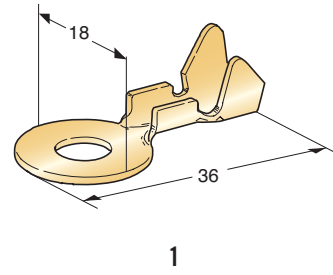
3



# TERMINALS

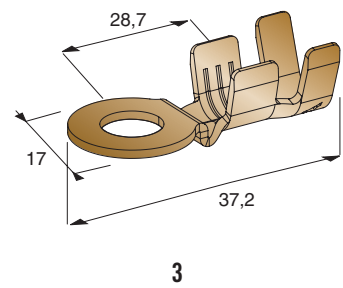
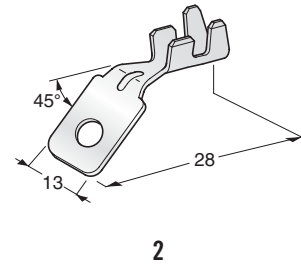
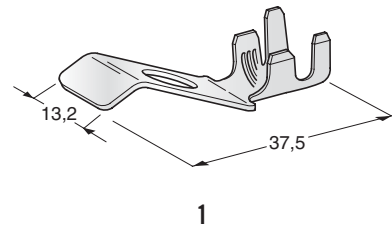


# STANDARD RING



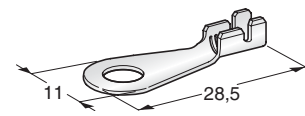
| IMG | DESCRIPTION | SCREW | WIRE SECTION<br>mm <sup>2</sup> | MATERIAL | MATERIAL<br>THICKNESS<br>mm | P/N<br>BOX | M.O.Q. | P/N<br>BULK | M.O.Q. |
|-----|-------------|-------|---------------------------------|----------|-----------------------------|------------|--------|-------------|--------|
| 1   | UNI 679L35  | M10   | 4÷6                             | CuZn     | 0,7                         | 1602550    | 100    |             |        |
| 2   | STDL22      | M4    | 1÷2,5                           | CuZn     | 0,6                         | 1602970    | 100    | 1902970     | 5000   |
|     | STDL22      | M5    | 1÷2,5                           | CuZn     | 0,6                         | 1602980    | 100    | 1902980     | 5000   |
| 3   | STDL22      | M6    | 1÷2,5                           | CuZn     | 0,6                         | 1602981    | 100    | 1902981     | 5000   |
|     | STDL26      | M6    | 3÷6                             | CuZn     | 0,8                         | 1602990    | 100    |             |        |
| 4   | STDL26      | M8    | 3÷6                             | CuZn     | 0,8                         | 1603000    | 100    |             |        |
|     | STDL37      | M6    | 25÷40                           | CuZn-Sn  | 1,5                         |            |        | 1609000     | 2000   |

GROUND

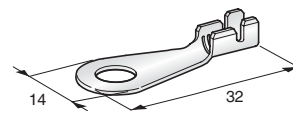


| IMG | DESCRIPTION  | SCREW | WIRE SECTION mm <sup>2</sup> | MATERIAL | MATERIAL THICKNESS mm | P/N REEL | M.O.Q. |
|-----|--------------|-------|------------------------------|----------|-----------------------|----------|--------|
| 1   | GND 188 TW25 | M8    | 2,5÷4                        | CuZn-Sn  | 0,8                   | 1708150  | 3600   |
| 2   | GND 188 G45  | M5    | 2,5÷6                        | CuZn-Sn  | 0,8                   | 1708160  | 2400   |
| 3   | GND L37M8    | M8    | 10                           | CuZn     | 1,2                   | 1793754  | 4000   |

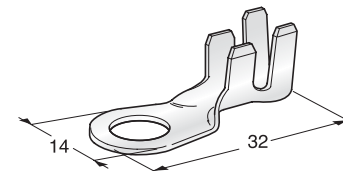
## GROUND



1



2

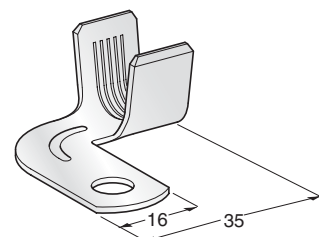


3

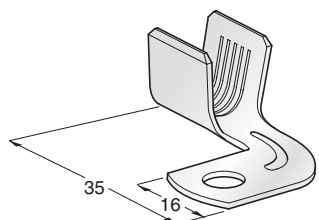
| IMG | DESCRIPTION | SCREW | WIRE SECTION<br>mm <sup>2</sup> | MATERIAL | MATERIAL<br>THICKNESS<br>mm | P/N<br>BOX | M.O.Q. | P/N<br>REEL | M.O.Q. |
|-----|-------------|-------|---------------------------------|----------|-----------------------------|------------|--------|-------------|--------|
| 1   | GND         | M5    | 0,5±1,5                         | CuZn-Sn  | 0,6                         |            |        | 1706740     | 12000  |
|     | GND FLY     | M5    | 0,5±1,5                         | CuZn-Sn  | 0,6                         |            |        | 1706741     | 12000  |
| 2   | GND         | M6    | 1÷2,5                           | CuZn-Sn  | 0,8                         | 1106720    | 100    | 1706720     | 6000   |
|     | GND         | M6    | 4÷6                             | CuZn-Sn  | 0,8                         | 1106700    | 100    | 1706700     | 4500   |
|     | GND         | M6    | 8÷10                            | CuZn-Sn  | 0,8                         | 1106750    | 100    | 1706750     | 2400   |
|     | GND         | M8    | 1÷2,5                           | CuZn-Sn  | 0,8                         | 1106730    | 100    | 1706730     | 6000   |
|     | GND         | M8    | 4÷6                             | CuZn-Sn  | 0,8                         | 1106710    | 100    | 1706710     | 4500   |
|     | GND         | M8    | 8÷10                            | CuZn-Sn  | 0,8                         | 1106760    | 100    | 1706760     | 2400   |
| 3   | GND FLY     | M6    | 1÷2,5                           | CuZn-Sn  | 0,8                         |            |        | 1706721     | 6000   |
|     | GND FLY     | M6    | 3÷6                             | CuZn-Sn  | 0,8                         |            |        | 1706701     | 4500   |
|     | GND FLY     | M8    | 1÷2,5                           | CuZn-Sn  | 0,8                         |            |        | 1706731     | 6000   |
|     | GND FLY     | M8    | 3÷6                             | CuZn-Sn  | 0,8                         |            |        | 1706711     | 4500   |



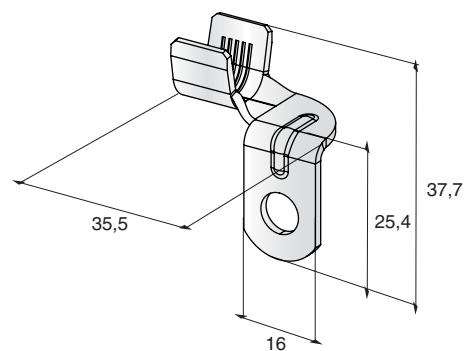
# CBA



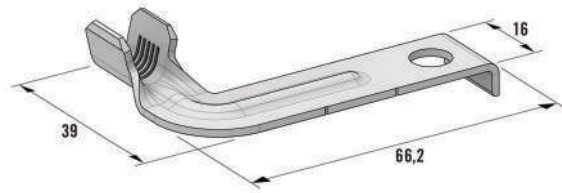
1



2



3

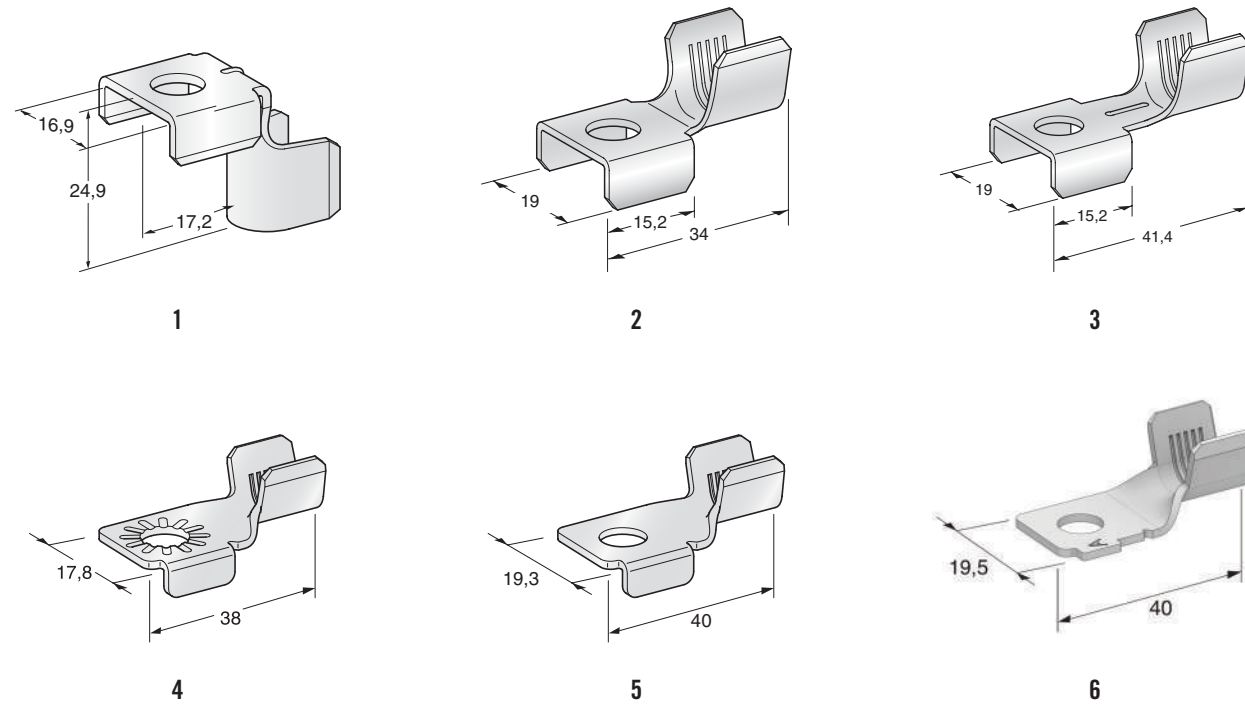


4

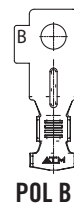
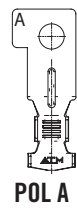
| IMG | DESCRIPTION | SCREW | WIRE SECTION mm <sup>2</sup> | MATERIAL | MATERIAL THICKNESS mm | P/N BOX | M.O.Q. | P/N REEL | M.O.Q. |
|-----|-------------|-------|------------------------------|----------|-----------------------|---------|--------|----------|--------|
| 1   | CBA FL 90   | M8    | 10÷20                        | CuZn-Sn  | 1,5                   |         |        | 1708170  | 800    |
|     | CBA FL 90   | M6    | 10÷20                        | CuZn-Sn  | 1,5                   |         |        | 1708175  | 700    |
|     | CBA FL 90   | M6    | 25÷42                        | CuZn-Sn  | 1,5                   | 1604300 | 1500   |          |        |
|     | CBA FL 90   | M8    | 25÷42                        | CuZn-Sn  | 1,5                   | 1608210 | 1500   | 1708210  | 600    |
|     | CBA FL 90   | M6    | 25÷42                        | CuZn-Sn  | 1,5                   |         |        | 1708215  | 1200   |
|     | CBA FL 90   | M8    | 50÷70                        | CuZn-Sn  | 1,8                   |         |        | 1708230  | 600    |
| 2   | CBA SX FL90 | M6    | 20÷40                        | CuZn-Sn  | 1,8                   |         |        | 1708325  | 600    |
|     | CBA SX FL90 | M8    | 20÷40                        | CuZn-Sn  | 1,8                   | 1608321 | 550    | 1708320  | 600    |
|     | CBA SX FL90 | M6    | 50÷70                        | CuZn-Sn  | 1,8                   |         |        | 1708315  | 600    |
|     | CBA SX FL90 | M8    | 50÷70                        | CuZn-Sn  | 1,8                   |         |        | 1708310  | 600    |
| 3   | CBA SX G90  | M8    | 20÷40                        | CuZn-Sn  | 1,8                   | 1608323 | 1000   |          |        |
| 4   | CBA J81 L4  | M8    | 10÷20                        | Cu-Sn    | 1,8                   | 1609200 | 500    |          |        |



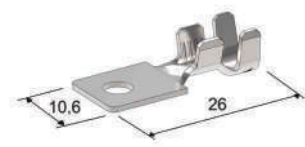
# MEGA



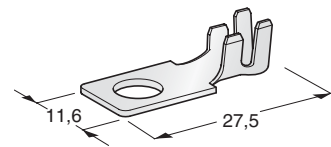
| IMG | DESCRIPTION | SCREW | WIRE SECTION<br>mm <sup>2</sup> | MATERIAL | MATERIAL<br>THICKNESS<br>mm | P/N<br>BOX | M.O.Q. | P/N<br>REEL | M.O.Q. |
|-----|-------------|-------|---------------------------------|----------|-----------------------------|------------|--------|-------------|--------|
| 1   | MEGA G90    | M8    | 10÷20                           | Cu-Sn    | 1,5                         | 1608180    | 650    |             |        |
|     | MEGA G90    | M8    | 25÷35                           | Cu-Sn    | 1,5                         | 1608190    | 500    |             |        |
| 2   | MEGA        | M8    | 10÷20                           | Cu-Sn    | 1,2                         | 1108110    | 10     | 1708110     | 1200   |
|     | MEGA        | M8    | 25÷35                           | Cu-Sn    | 1,2                         | 1108120    | 10     | 1708120     | 900    |
| 3   | MEGA        | M8    | 25÷40                           | Cu-Sn    | 1,5                         | 1608196    | 500    |             |        |
|     | MEGA        | M8    | AWG-1                           | Cu-Sn    | 1,5                         | 1608199    | 500    |             |        |
| 4   | W84         | M8    | 10÷25                           | CuZn-Sn  | 1,5                         | 1608800    | 1400   |             |        |
| 5   | W62         | M8    | 25÷40                           | Cu-Sn    | 1,5                         | 1609320    | 700    |             |        |
| 6   | W62 POL.A   | M8    | 25÷40                           | Cu-Sn    | 1,5                         | 1609330    | 700    |             |        |
|     | W62 POL.B   | M8    | 25÷40                           | Cu-Sn    | 1,5                         | 1609340    | 700    |             |        |



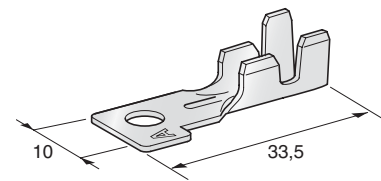
# MIDI



1

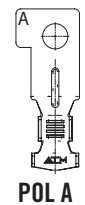


2

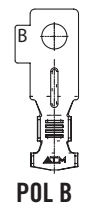


3

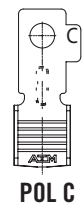
| IMG        | DESCRIPTION | SCREW | WIRE SECTION<br>mm <sup>2</sup> | MATERIAL | MATERIAL<br>THICKNESS<br>mm | P/N<br>REEL | M.O.Q. |
|------------|-------------|-------|---------------------------------|----------|-----------------------------|-------------|--------|
| 1          | MIDI        | M4    | 2,5÷4                           | CuZn-Sn  | 0,8                         | 1708280     | 2000   |
| 2          | MIDI        | M5    | 2,5÷4                           | CuZn-Sn  | 0,8                         | 1708240     | 2000   |
|            | MIDI        | M5    | 6÷8                             | CuZn-Sn  | 0,8                         | 1708245     | 1600   |
| 3          | MIDI        | M6    | 6÷8                             | CuZn-Sn  | 0,8                         | 1708246     | 1600   |
|            | MIDI        | M5    | 2,5÷4                           | Cu-Sn    | 0,8                         | 1705606     | 2000   |
|            | MIDI POL A  | M5    | 2,5÷4                           | Cu-Sn    | 0,8                         | 1705616     | 2000   |
|            | MIDI POL B  | M5    | 2,5÷4                           | Cu-Sn    | 0,8                         | 1705626     | 2000   |
|            | MIDI POL E  | M5    | 2,5÷4                           | Cu-Sn    | 0,8                         | 1705656     | 2000   |
|            | MIDI POL A  | M5    | 6÷8                             | Cu-Sn    | 0,8                         | 1705715     | 2000   |
|            | MIDI POL B  | M5    | 6÷8                             | Cu-Sn    | 0,8                         | 1705725     | 2000   |
| MIDI POL D | M5          | 6÷8   | Cu-Sn                           | 0,8      | 1705745                     | 2000        |        |
| MIDI POL C | M5          | 6÷8   | Cu-Sn                           | 0,8      | 1705735                     | 2000        |        |



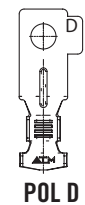
POL A



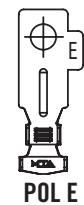
POL B



POL C



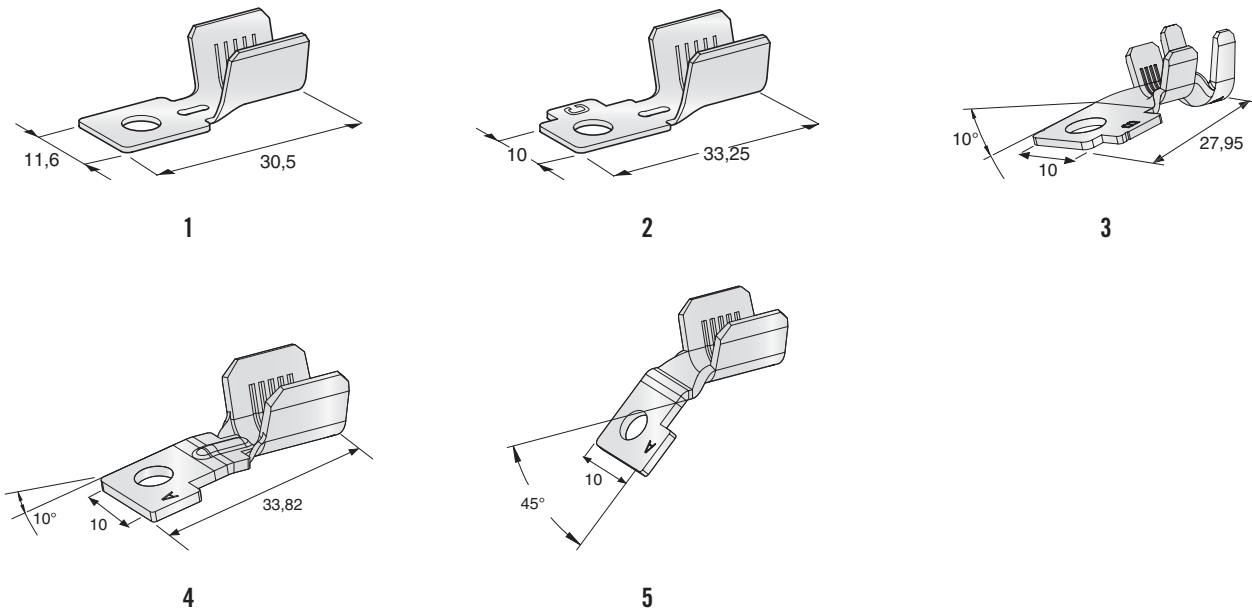
POL D



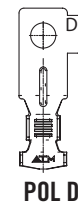
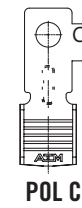
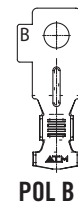
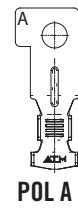
POL E



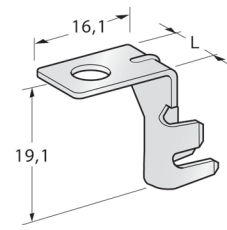
# MIDI



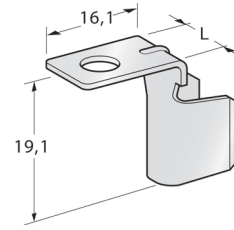
| IMG | DESCRIPTION     | SCREW | WIRE SECTION mm² | MATERIAL | MATERIAL THICKNESS mm | P/N BOX | M.O.Q. | P/N REEL | M.O.Q. |
|-----|-----------------|-------|------------------|----------|-----------------------|---------|--------|----------|--------|
| 1   | MIDI            | M5    | 10÷16            | CuZn-Sn  | 0,8                   |         |        | 1708250  | 1600   |
| 2   | MIDI POL A      | M5    | 10÷20            | Cu-Sn    | 1,5                   |         |        | 1705855  | 1000   |
|     | MIDI POL B      | M5    | 10÷20            | Cu-Sn    | 1,5                   |         |        | 1705825  | 1000   |
|     | MIDI POL B      | M5    | 25÷35            | Cu-Sn    | 1,5                   |         |        | 1705925  | 800    |
|     | MIDI POL C      | M5    | 10÷20            | Cu-Sn    | 1,5                   |         |        | 1705835  | 1000   |
|     | MIDI POL D      | M5    | 10÷20            | Cu-Sn    | 1,5                   |         |        | 1705856  | 1000   |
| 3   | MIDI G10 POL B  | M5    | 6÷8              | CuZn-Sn  | 1                     |         |        | 1705726  | 2700   |
| 4   | MIDI G10 POL A  | M5    | 10÷20            | CuZn-Sn  | 1,5                   |         |        | 1705816  | 1000   |
|     | MIDI G10 POL B  | M5    | 10÷20            | CuZn-Sn  | 1,5                   |         |        | 1705826  | 1000   |
|     | MIDI G10 POL D  | M5    | 10÷20            | CuZn-Sn  | 1,5                   |         |        | 1705846  | 1000   |
|     | MIDI G10 POL D  | M5    | 10÷20            | CuZn-Sn  | 1,5                   |         |        | 1705846  | 1000   |
| 5   | MIDI G135 POL A | M5    | 10÷20            | CuZn-Sn  | 1,5                   | 1605815 | 1500   |          |        |



# MIDI G90

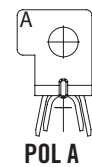


1

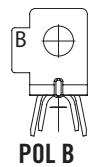


2

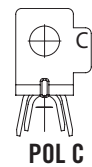
| IMG | DESCRIPTION    | SCREW | WIRE SECTION<br>mm <sup>2</sup> | MATERIAL | MATERIAL<br>THICKNESS<br>mm | L  | P/N<br>BOX | M.O.Q. |
|-----|----------------|-------|---------------------------------|----------|-----------------------------|----|------------|--------|
| 1   | MIDI G90 UNI   | M5    | 2,5÷4                           | Cu-Sn    | 0,8                         | 10 | 1605600    | 2500   |
|     | MIDI G90 UNI   | M5    | 6÷8                             | Cu-Sn    | 0,8                         | 10 | 1605700    | 2500   |
|     | MIDI G90 POL A | M5    | 2,5÷4                           | Cu-Sn    | 0,8                         | 10 | 1605610    | 2500   |
|     | MIDI G90 POL A | M5    | 6÷8                             | Cu-Sn    | 0,8                         | 10 | 1605710    | 2000   |
|     | MIDI G90 POL B | M5    | 2,5÷4                           | Cu-Sn    | 0,8                         | 10 | 1605620    | 2500   |
|     | MIDI G90 POL B | M5    | 6÷8                             | Cu-Sn    | 0,8                         | 10 | 1605720    | 2000   |
|     | MIDI G90 POL C | M5    | 2,5÷4                           | Cu-Sn    | 0,8                         | 10 | 1605630    | 2500   |
|     | MIDI G90 POL C | M5    | 6÷8                             | Cu-Sn    | 0,8                         | 10 | 1605730    | 2000   |
|     | MIDI G90 POL E | M5    | 2,5÷4                           | Cu-Sn    | 0,8                         | 10 | 1605650    | 2500   |
|     | MIDI G90 POL E | M5    | 6÷8                             | Cu-Sn    | 0,8                         | 10 | 1605750    | 2000   |
| 2   | MIDI G90 UNI   | M5    | 10÷20                           | Cu-Sn    | 1,5                         | 10 | 1605800    | 1500   |
|     | MIDI G90 UNI   | M5    | 25÷35                           | Cu-Sn    | 1,5                         | 10 | 1605900    | 2000   |
|     | MIDI G90 POL A | M5    | 10÷20                           | Cu-Sn    | 1,5                         | 10 | 1605810    | 1500   |
|     | MIDI G90 POL A | M5    | 25÷35                           | Cu-Sn    | 1,5                         | 10 | 1605910    | 2000   |
|     | MIDI G90 POL B | M5    | 10÷20                           | Cu-Sn    | 1,5                         | 10 | 1605820    | 1500   |
|     | MIDI G90 POL C | M5    | 10÷20                           | Cu-Sn    | 1,5                         | 10 | 1605830    | 1500   |
|     | MIDI G90 POL C | M5    | 25÷35                           | Cu-Sn    | 1,5                         | 10 | 1605930    | 2000   |
|     | MIDI G90 POL A | M6    | 10÷20                           | Cu-Sn    | 1,5                         | 13 | 1605811    | 1200   |
|     | MIDI G90 POL C | M6    | 25÷35                           | Cu-Sn    | 1,5                         | 13 | 1605911    | 1000   |



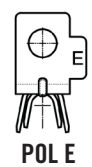
POL A



POL B

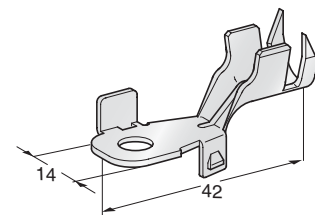


POL C

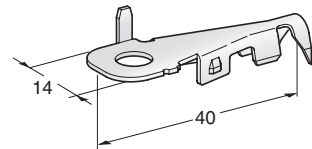


POL E

# REVERSIBLE



1

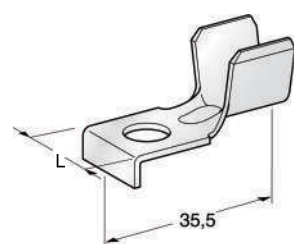


2

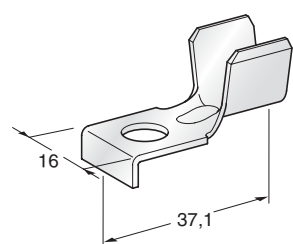
| IMG | DESCRIPTION | SCREW | WIRE SECTION<br>mm <sup>2</sup> | MATERIAL | MATERIAL<br>THICKNESS<br>mm | L | P/N<br>REEL | M.O.Q. |
|-----|-------------|-------|---------------------------------|----------|-----------------------------|---|-------------|--------|
| 1   | RVS A       | M6    | 2,5÷4                           | Cu-Sn    | 0,8                         |   | 1706900     | 1500   |
|     | RVS A       | M6    | 6÷8                             | Cu-Sn    | 1                           |   | 1706910     | 1400   |
|     | RVS A       | M6    | 10÷16                           | Cu-Sn    | 1,2                         |   | 1706920     | 1200   |
| 2   | RVS B       | M6    | 2,5÷4                           | Cu-Sn    | 0,8                         |   | 1706930     | 2200   |
|     | RVS B       | M6    | 6÷8                             | Cu-Sn    | 1                           |   | 1706940     | 2000   |



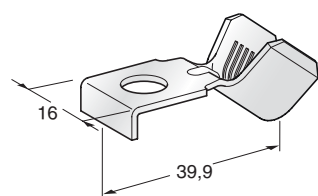
# SQUARE



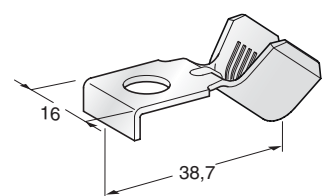
1



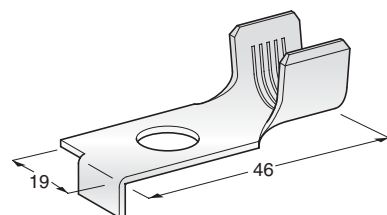
2



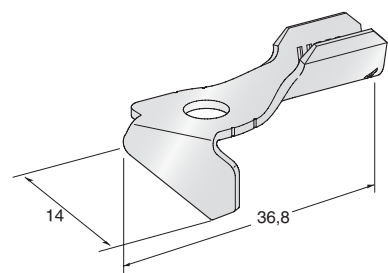
3



4



5

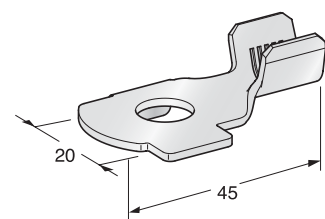


6

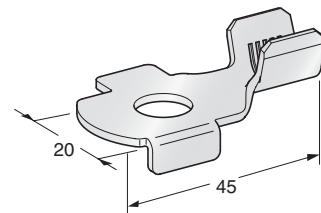
| IMG | DESCRIPTION | L  | SCREW | WIRE SECTION<br>mm <sup>2</sup> | MATERIAL | MATERIAL<br>THICKNESS<br>mm | P/N<br>BOX | M.O.Q. | P/N<br>REEL | M.O.Q. |
|-----|-------------|----|-------|---------------------------------|----------|-----------------------------|------------|--------|-------------|--------|
| 1   | SQR A       | 12 | M5    | 10÷20                           | CuZn-Sn  | 1,2                         |            |        | 1706990     | 1200   |
|     | SQR A       | 16 | M6    | 10÷20                           | CuZn-Sn  | 1,2                         | 1906970    | 1000   | 1706970     | 1200   |
|     | SQR A       | 16 | M6    | 25÷35                           | CuZn-Sn  | 1,2                         |            |        | 1706980     | 1000   |
|     | SQR A       | 16 | M6    | 25÷40                           | CuETP-Sn | 1,5                         | 1606981    | 1800   |             |        |
|     | SQR A       | 16 | M8    | 10÷20                           | CuZn-Sn  | 1,2                         |            |        | 1706950     | 1200   |
|     | SQR A       | 16 | M8    | 10÷20                           | CuZn-Sn  | 1,5                         | 1606991    | 1700   |             |        |
|     | SQR A       | 16 | M8    | 25÷35                           | CuZn-Sn  | 1,2                         |            |        | 1706960     | 1000   |
|     | SQR A       | 16 | M8    | 25÷40                           | CuZn-Sn  | 1,5                         | 1606990    | 800    |             |        |
| 2   | SQR A       |    | M8    | 25÷40                           | CuZn-Sn  | 1,5                         | 1606992    | 800    |             |        |
| 3   | SQR A G45   |    | M8    | 25÷40                           | CuZn-Sn  | 1,5                         | 1606994    | 900    |             |        |
| 4   | SQR A G40   |    | M6    | 25÷40                           | CuZn-Sn  | 1,2                         | 1606982    | 2000   |             |        |
| 5   | SQR B       |    | M10   | 10÷20                           | CuZn-Sn  | 1,5                         |            |        | 1708220     | 800    |
|     | SQR B       |    | M10   | 25÷35                           | CuZn-Sn  | 1,5                         |            |        | 1708200     | 700    |
| 6   | SQR 30      |    | M6    | 10÷20                           | CuZn-Sn  | 1,2                         | 1608345    | 1000   | 1708345     | 1000   |
|     | SQR 30      |    | M6    | 25÷40                           | CuZn-Sn  | 1,2                         | 1608346    | 800    |             |        |



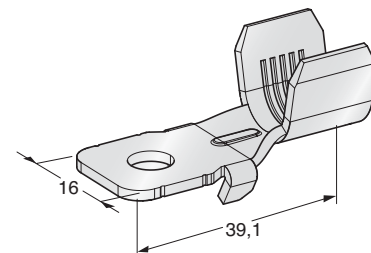
# SQUARE



1



2

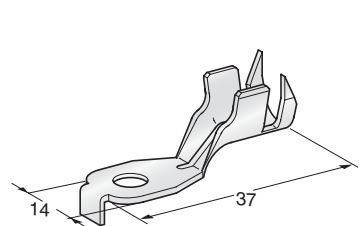


3

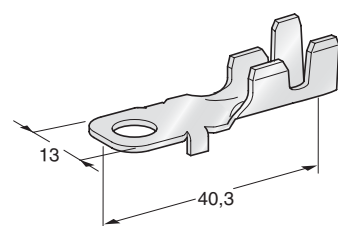
| IMG | DESCRIPTION | SCREW | WIRE SECTION<br>mm <sup>2</sup> | MATERIAL | MATERIAL<br>THICKNESS<br>mm | P/N<br>REEL | M.O.Q. |
|-----|-------------|-------|---------------------------------|----------|-----------------------------|-------------|--------|
| 1   | SQR C DX    | M10   | 10÷20                           | CuZn-Sn  | 1,5                         | 1708185     | 700    |
| 2   | SQR C SX    | M10   | 25÷40                           | CuZn-Sn  | 1,5                         | 1708270     | 700    |
| 3   | SQR C MY03  | M6    | 10÷20                           | CuZn-Sn  | 1,5                         | 1706975     | 1200   |
|     | SQR C MY03  | M6    | 25÷40                           | CuZn-Sn  | 1,5                         | 1706977     | 1000   |



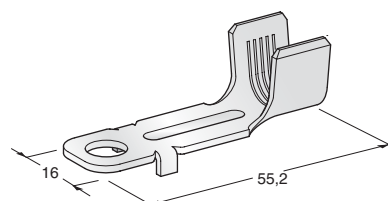
# SMT



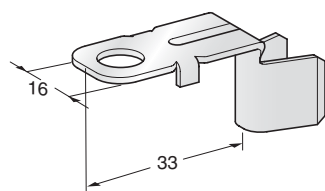
1



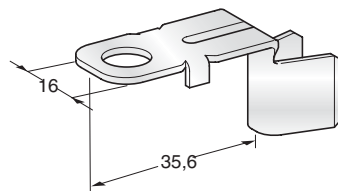
2



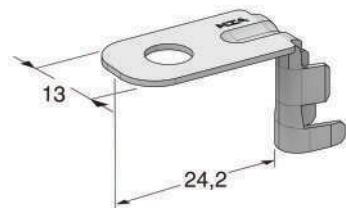
3



4



5

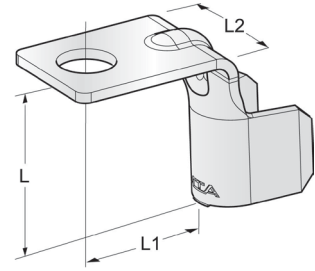


6

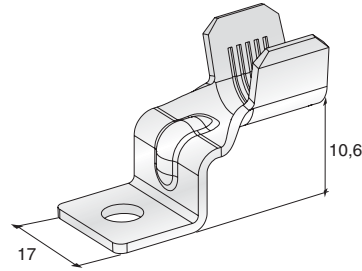
| IMG | DESCRIPTION | SCREW | WIRE SECTION mm <sup>2</sup> | MATERIAL | MATERIAL THICKNESS mm | P/N BOX | M.O.Q. | P/N REEL | M.O.Q. |
|-----|-------------|-------|------------------------------|----------|-----------------------|---------|--------|----------|--------|
| 1   | SMT A       | M6    | 4÷8                          | CuZn-Sn  | 1                     |         |        | 1706880  | 1400   |
|     | SMT A       | M6    | 10÷16                        | CuZn-Sn  | 1,2                   | 1606890 | 2000   | 1706890  | 1200   |
| 2   | SMT B       | M6    | 2,5÷4                        | CuZn-Sn  | 0,8                   |         |        | 1706600  | 3000   |
| 3   | SMT C       | M8    | 50÷70                        | CuZn-Sn  | 1,5                   | 1606796 | 1000   |          |        |
| 4   | SMT C G90   | M6    | 6÷8                          | CuZn-Sn  | 1,2                   | 1606775 | 500    |          |        |
|     | SMT C G90   | M6    | 10÷20                        | CuZn-Sn  | 1,2                   | 1606770 | 2000   |          |        |
|     | SMT C G90   | M6    | 25÷40                        | CuZn-Sn  | 1,2                   | 1606500 | 600    |          |        |
|     | SMT C G90   | M8    | 25÷40                        | CuZn-Sn  | 1,2                   | 1606785 | 600    |          |        |
| 5   | SMT C G90   | M8    | 50÷70                        | CuZn-Sn  | 1,5                   | 1606795 | 1000   |          |        |
| 6   | SMT B G90   | M8    | 2,5÷4                        | CuZn-Sn  | 0,8                   | 1606791 | 2000   |          |        |



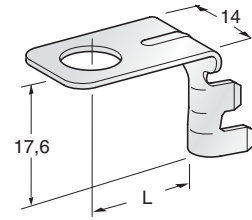
## SPECIAL TYPES



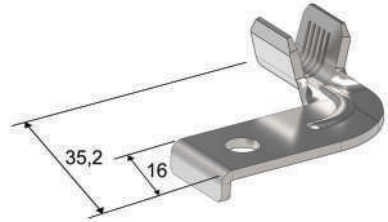
1



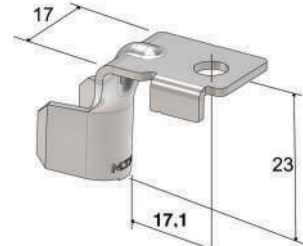
2



3



4

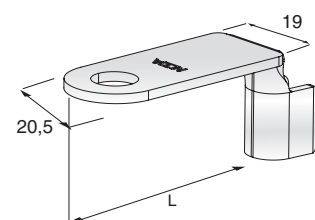


5

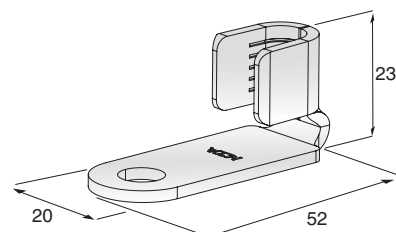
| IMG | DESCRIPTION | SCREW | WIRE SECTION<br>mm <sup>2</sup> | MATERIAL | MATERIAL<br>THICKNESS<br>mm | L    | L1   | L2 | P/N<br>BOX | M.O.Q. |
|-----|-------------|-------|---------------------------------|----------|-----------------------------|------|------|----|------------|--------|
| 1   | FDU G90     | M8    | 25÷40                           | CuZn-Sn  | 1,5                         | 23   | 10,7 | 17 | 1608380    | 1500   |
|     | FDU G90     | M6    | 25÷40                           | CuZn-Sn  | 1,5                         | 23   | 10,7 | 17 | 1608381    | 700    |
|     | FDU G90     | M6    | 25÷35                           | Cu-Sn    | 1,5                         | 27,4 | 10,7 | 17 | 1608384    | 600    |
|     | G90         | M8    | 50 -70                          | Cu-Sn    | 1,8                         | 23   | 16   | 16 | 1607500    | 600    |
|     | G90         | M8    | M8                              | Cu-Sn    | 1,8                         | 24   | 16   | 16 | 1617500    | 600    |
| 2   | FDU G90     | M6    | 25÷40                           | CuZn-Sn  | 1,5                         |      |      |    | 1608382    | 700    |
| 3   | PTC G90     | M8    | 2,5÷4                           | Cu-Sn    | 0,8                         | 15,4 |      |    | 1608500    | 1700   |
|     | STR-S G90   | M6    | 2,5÷4                           | Cu-Sn    | 0,8                         | 11,4 |      |    | 1608510    | 2300   |
| 4   | SX FL90 P   | M6    | 10÷16                           | CuZn-Sn  | 1,8                         |      |      |    | 1704004    | 600    |
| 5   | FDU GM90M6P | M6    | 25÷35                           | CuZn-Sn  | 1,5                         |      |      |    | 1704010    | 600    |



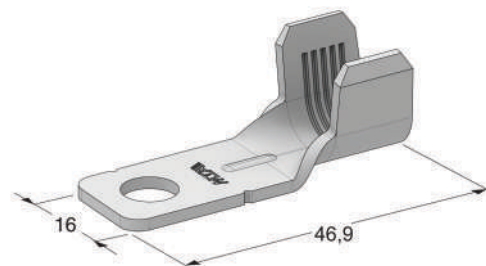
# SPECIAL TYPES



1



2



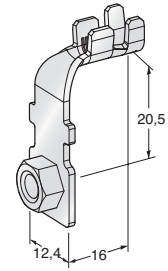
3

| IMG | DESCRIPTION | SCREW | WIRE SECTION mm <sup>2</sup> | MATERIAL | MATERIAL THICKNESS mm | L    | P/N BOX | M.O.Q. |
|-----|-------------|-------|------------------------------|----------|-----------------------|------|---------|--------|
| 1   | G90         | M8    | 16                           | CuZn-Sn  | 1,9                   | 44,5 | 1793752 | 500    |
|     | G90         | M8    | 16                           | CuZn-Sn  | 1,9                   | 54,5 | 1796416 | 2000   |
| 2   | G90         | M8    | 35                           | CuZn-Sn  | 2,3                   |      | 1793753 | 500    |
| 3   | L47         | M8    | 50-70                        | Cu-Sn    | 1,8                   |      | 1607510 | 600    |

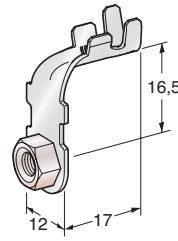




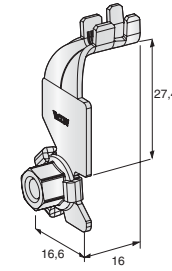
# NUT TYPES



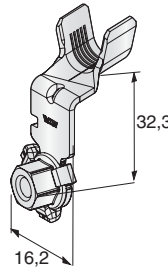
1



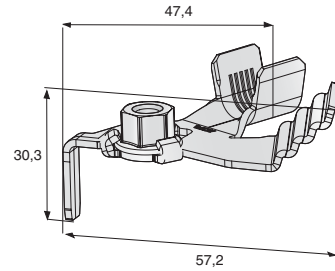
2



3



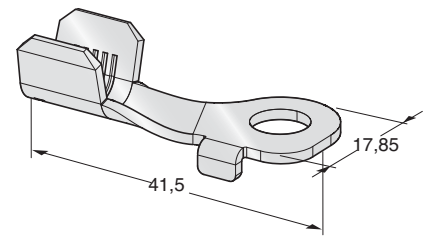
4



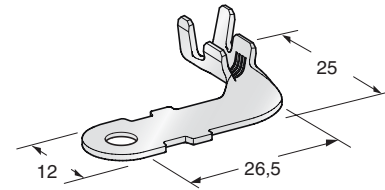
5

| IMG | DESCRIPTION     | SCREW | WIRE SECTION<br>mm <sup>2</sup> | MATERIAL | MATERIAL<br>THICKNESS<br>mm | P/N<br>BOX | M.O.Q. |
|-----|-----------------|-------|---------------------------------|----------|-----------------------------|------------|--------|
| 1   | NUT G90 SH      | M5    | 2,5÷5                           | CuZn-Sn  | 1,2                         | 1608420    | 1500   |
| 2   | NUT G90         | M5    | 2,5÷5                           | CuZn-Sn  | 1                           | 1608400    | 1500   |
| 3   | W95 G90         | M5    | 2,5÷5                           | CuZn-Sn  | 1,2                         | 1608470    | 800    |
| 4   | STARTER W95 G90 | M6    | 25÷40                           | CuZn-Sn  | 1,5                         | 1608450    | 500    |
| 5   | JUMP START W95  | M6    | 25÷40                           | CuZn-Sn  | 1,5                         | 1608460    | 230    |

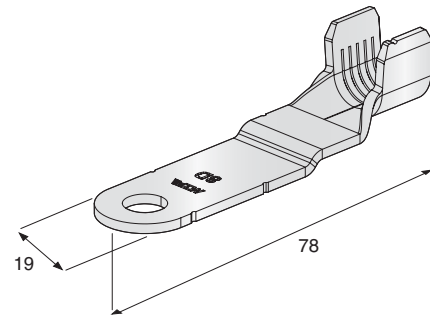
## SPECIAL TYPES



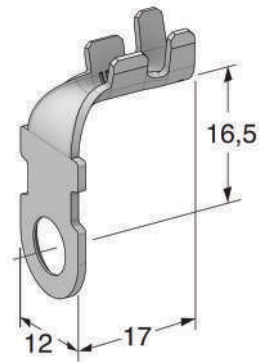
1



2



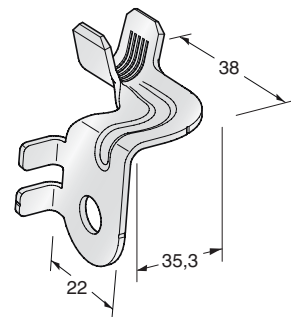
3



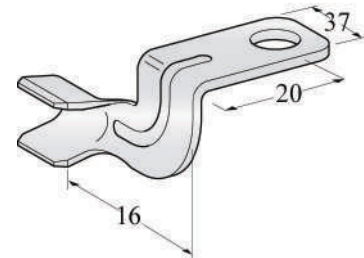
4

| IMG | DESCRIPTION | SCREW | WIRE SECTION<br>mm <sup>2</sup> | MATERIAL | MATERIAL<br>THICKNESS<br>mm | P/N<br>BOX | M.O.Q. | P/N<br>REEL | M.O.Q. |
|-----|-------------|-------|---------------------------------|----------|-----------------------------|------------|--------|-------------|--------|
| 1   | STARTER L41 | M8    | 10÷20                           | CuZn-Sn  | 1,5                         |            |        | 1708360     | 1000   |
|     | STARTER L41 | M8    | 25÷40                           | CuZn-Sn  | 1,5                         |            |        | 1708370     | 800    |
| 2   | X70 FL90    | M5    | 4÷7                             | CuZn-Sn  | 1                           | 1608415    | 3000   |             |        |
| 3   | ALTERNATOR  | M8    | 35÷50                           | Cu-Sn    | 2                           | 1607400    | 300    |             |        |
| 4   | G90         | M6    | 2,5÷5                           | CuZn-Sn  | 1                           | 1606995    | 2000   |             |        |

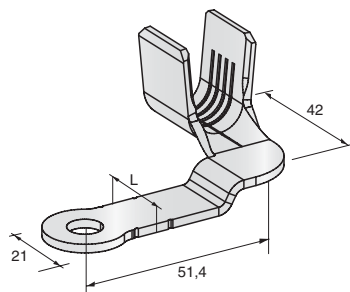
## SPECIAL TYPES



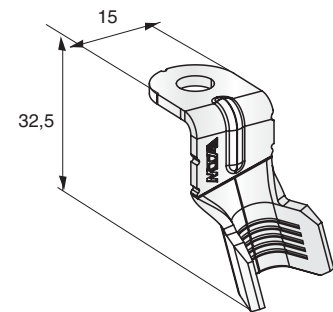
1



2



3

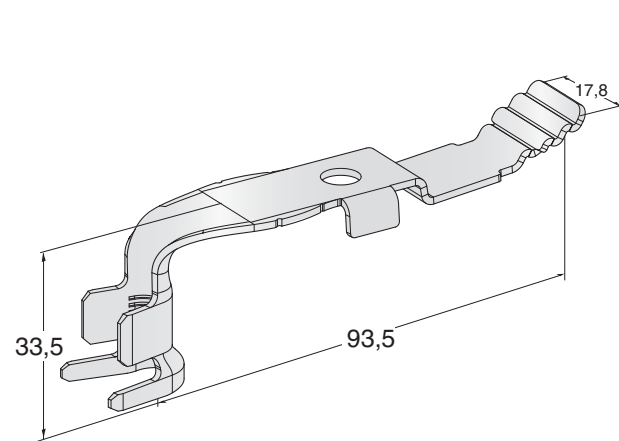


4

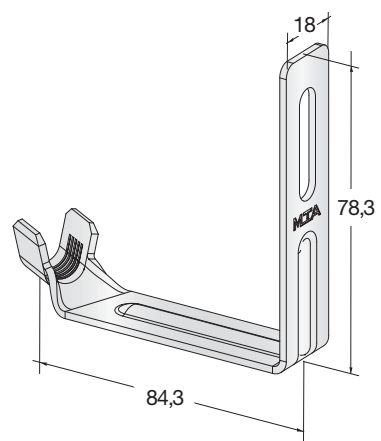
| IMG | DESCRIPTION | SCREW | WIRE SECTION<br>mm <sup>2</sup> | MATERIAL | MATERIAL<br>THICKNESS<br>mm | L  |  | P/N<br>BOX | M.O.Q. |
|-----|-------------|-------|---------------------------------|----------|-----------------------------|----|--|------------|--------|
| 1   | ND TW90     | M8    | 25÷40                           | CuZn-Sn  | 1,5                         |    |  | 1609100    | 280    |
| 2   | FLANGE TW90 | M8    | 10÷20                           | CuZn-Sn  | 1,5                         |    |  | 1608600    | 450    |
|     | FLANGE TW90 | M8    | 25÷35                           | CuZn-Sn  | 1,5                         |    |  | 1608700    | 1500   |
| 3   | D21         | M8    | 16÷41                           | CuZn-Sn  | 2                           | 16 |  | 1609910    | 380    |
|     | D21         | M8    | 14÷41                           | CuZn-Sn  | 2                           | 13 |  | 1609920    | 250    |
|     | D21         | M8    | 16÷41                           | Cu-Sn    | 2                           | 16 |  | 1609911    | 250    |
| 4   | FL15G90     | M6    | 25÷35                           | Cu-Sn    | 1,8                         |    |  | 1608520    | 700    |



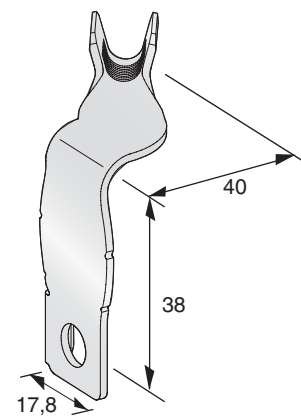
# SPECIAL TYPES



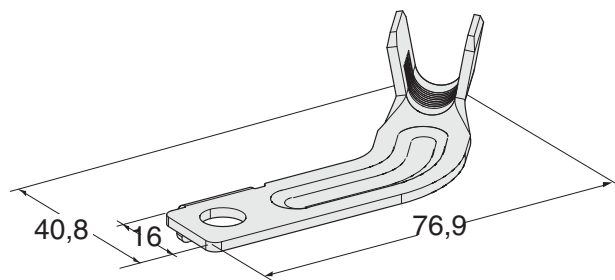
1



2



3

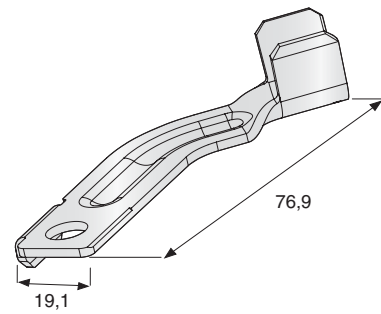


4

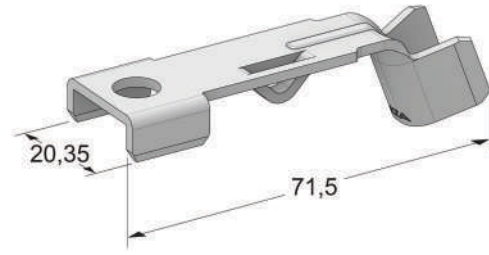
| IMG | DESCRIPTION | SCREW | WIRE SECTION mm <sup>2</sup> | MATERIAL | MATERIAL THICKNESS mm | P/N BOX | M.O.Q. |
|-----|-------------|-------|------------------------------|----------|-----------------------|---------|--------|
| 1   | W84 G90     | M8    | 25÷41                        | CuZn-Sn  | 1,5                   | 1609400 | 350    |
| 2   | SLOT G90    | M8    | 25÷40                        | CuZn-Sn  | 1,8                   | 1609500 | 300    |
| 3   | W84 TW90    | M8    | 10÷25                        | Cu-Sn    | 1,5                   | 1608911 | 800    |
| 4   | W61 FLAG 50 | M8    | 25                           | CuZn-Sn  | 1,8                   | 1609600 | 500    |



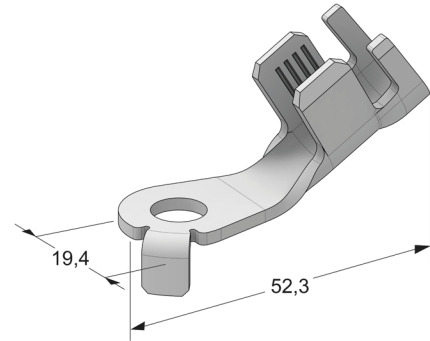
## SPECIAL TYPES



1



2

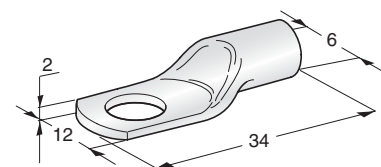


3

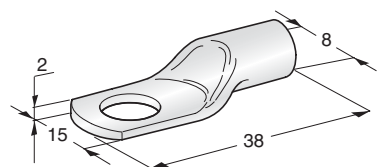
| IMG | DESCRIPTION      | SCREW | WIRE SECTION<br>mm <sup>2</sup> | MATERIAL | MATERIAL<br>THICKNESS<br>mm | P/N<br>BOX | M.O.Q. |
|-----|------------------|-------|---------------------------------|----------|-----------------------------|------------|--------|
| 1   | W62 FLAG 50      | M8    | 25÷40                           | CuZn-Sn  | 1,8                         | 1609310    | 300    |
| 2   | G70              | M8    | 25÷35                           | CuZn-Sn  | 1,8                         | 1608540    | 500    |
| 3   | G30 ANTIROTATION | M8    | 35                              | CuZn-Sn  | 2,0                         | 1609960    | 500    |



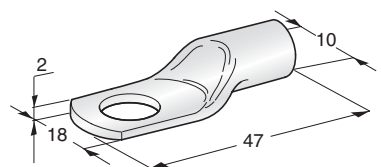
# TUBOLAR



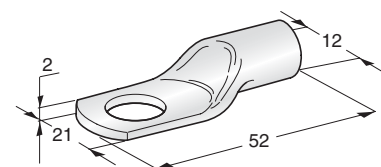
1



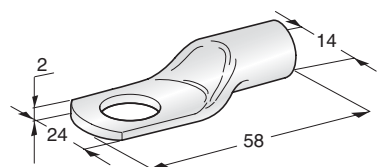
2



3



4

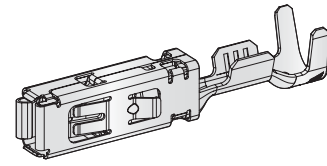


5

| IMG | DESCRIPTION | SCREW | WIRE SECTION mm <sup>2</sup> | MATERIAL | P/N BOX | M.O.Q. |
|-----|-------------|-------|------------------------------|----------|---------|--------|
| 1   | TUBOLAR L34 | M6    | 16                           | Cu-Sn    | 1605000 | 50     |
|     | TUBOLAR L34 | M8    | 16                           | Cu-Sn    | 1605100 | 50     |
| 2   | TUBOLAR L38 | M8    | 25                           | Cu-Sn    | 1605010 | 50     |
|     | TUBOLAR L38 | M10   | 25                           | Cu-Sn    | 1605110 | 50     |
| 3   | TUBOLAR L47 | M8    | 35                           | Cu-Sn    | 1605021 | 50     |
|     | TUBOLAR L47 | M10   | 35                           | Cu-Sn    | 1605020 | 50     |
| 4   | TUBOLAR L52 | M11   | 50                           | Cu-Sn    | 1605030 | 25     |
| 5   | TUBOLAR L58 | M13   | 75                           | Cu-Sn    | 1605040 | 25     |



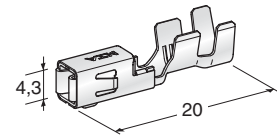
# HP6 280



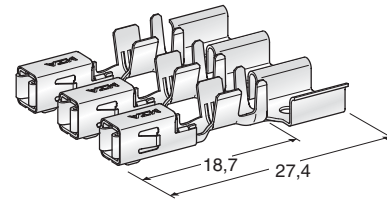
1

| IMG | DESCRIPTION | WIRE SECTION<br>mm <sup>2</sup> | MATERIAL    | MATERIAL<br>THICKNESS<br>mm | CONTACT AREA<br>COATING | P/N<br>BOX | M.O.Q. | P/N<br>REEL | M.O.Q. |
|-----|-------------|---------------------------------|-------------|-----------------------------|-------------------------|------------|--------|-------------|--------|
| 1   | HP6 280     | 0,5÷1                           | Cu Alloy-Sn | 0,3                         | Au                      | 1108380    | 100    | 1708380     | 10500  |
|     | HP6 280     | 1,5÷2,5                         | Cu Alloy-Sn | 0,3                         | Au                      | 1108381    | 100    | 1708381     | 10500  |
|     | HP6 280     | 0,5÷1                           | Cu Alloy-Sn | 0,3                         | Sn                      | 1108382    | 100    | 1708382     | 10500  |
|     | HP6 280     | 1,5÷2,5                         | Cu Alloy-Sn | 0,3                         | Sn                      | 1108383    | 100    | 1708383     | 10500  |
|     | HP6 280     | 0,5÷1                           | Cu Alloy-Sn | 0,3                         | Ag                      |            |        | 1708391     | 10500  |
|     | HP6 280     | 1,5÷2,5                         | Cu Alloy-Sn | 0,3                         | Ag                      |            |        | 1708392     | 10500  |

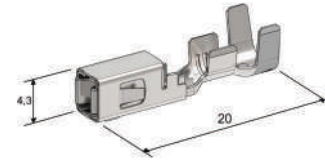
# MINI 280



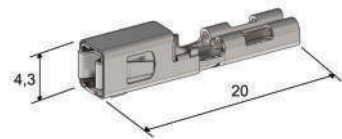
1



2



3



4



5

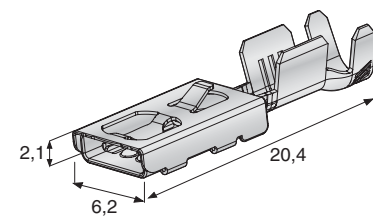


6

| IMG. | DESCRIPTION       | WIRE SECTION<br>mm <sup>2</sup> | WIRE DIAMETER<br>Ømm | MATERIAL | MAT. THICK.<br>mm | TAB / COLOUR | P/N BOX | M.O.Q. | P/N REEL   | M.O.Q. |
|------|-------------------|---------------------------------|----------------------|----------|-------------------|--------------|---------|--------|------------|--------|
| 1    | MINI F280         | 0,35±0,75                       |                      | CuFe-Sn  | 0,3               |              | 1108330 | 100    | 1708330    | 9000   |
|      | MINI F280         | 1±2                             |                      | CuFe-Sn  | 0,3               |              | 1108331 | 100    | 1708331    | 9000   |
|      | MINI F280         | 2,5±4                           |                      | CuFe-Sn  | 0,3               |              | 1108332 | 100    | 1708332    | 9000   |
| 2    | MINI F280 BUS BAR | 1±2                             |                      | CuFe-Sn  | 0,3               |              |         |        | 1708335    | 12000  |
|      | MINI F280 BUS BAR | 2,5±4                           |                      | CuFe-Sn  | 0,3               |              |         |        | 1708336    | 12000  |
| 3    | MINI F280 WP      | 0,35±0,75                       |                      | CuFe-Sn  | 0,3               |              | 1108337 | 100    | 1708337    | 9000   |
|      | MINI F280 WP      | 1±2                             |                      | CuFe-Sn  | 0,3               |              | 1108338 | 100    | 1708338    | 9000   |
|      | MINI F280 WP      | 2,5±4                           |                      | CuFe-Sn  | 0,3               |              | 1108339 | 100    | 1708339    | 9000   |
| 4    | MINI F280 DOUBLE  |                                 |                      | CuFe-Sn  |                   | Male 2,8     | 1708334 | 20000  |            |        |
| 5    | GASKET            |                                 | 2,2÷3                | Silicon  |                   | Green        | 4551747 | 100    | 4550747box | 10000  |
|      | GASKET            |                                 | 1,2÷2,1              | Silicon  |                   | Red          | 4551748 | 100    | 4550748box | 10000  |
|      | GASKET            |                                 | 3,1÷3,7              | Silicon  |                   | Grey         | 4551749 | 100    | 4550749box | 10000  |
| 6    | PLUG              |                                 |                      | Silicon  |                   | Black        |         |        | 4550750box | 5000   |



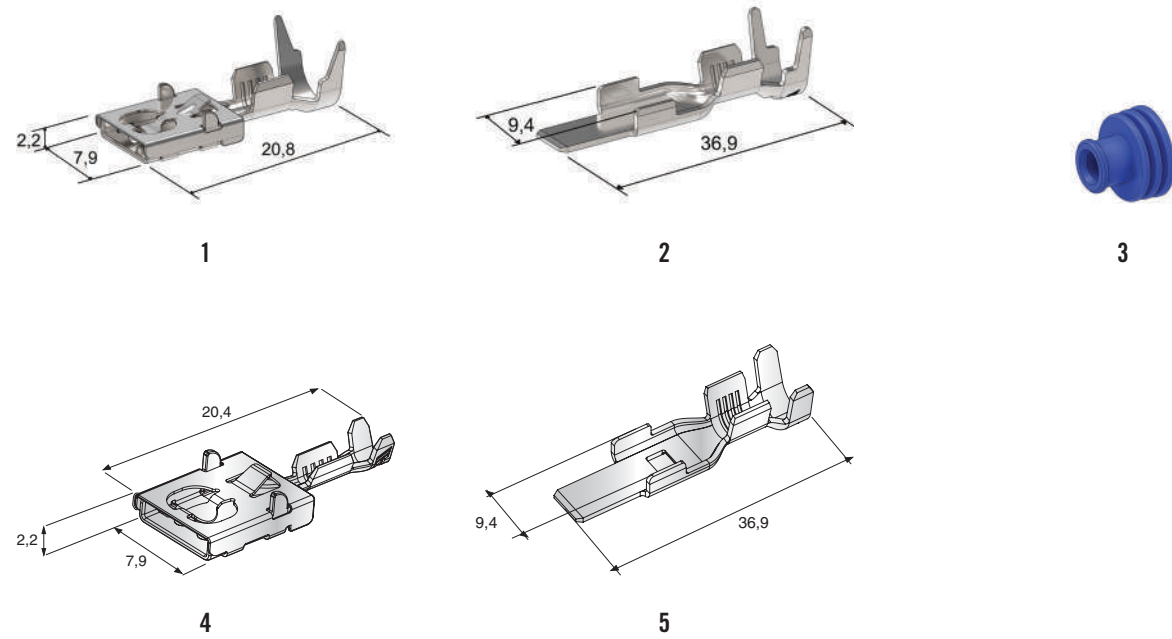
# F 480E



1

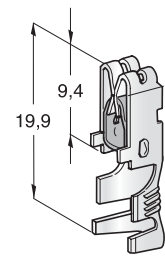
| IMG | DESCRIPTION | WIRE SECTION<br>mm <sup>2</sup> | MATERIAL    | MATERIAL<br>THICKNESS<br>mm | P/N<br>BOX | M.O.Q. | P/N<br>REEL | M.O.Q. |
|-----|-------------|---------------------------------|-------------|-----------------------------|------------|--------|-------------|--------|
| 1   | F480E       | 0,5÷1                           | CuZn-Sn     | 0,3                         | 1108400    | 100    | 1708400     | 15000  |
|     | F480E       | 1,5÷2,5                         | Cu Alloy-Sn | 0,3                         | 1108401    | 100    | 1708401     | 12000  |
|     | F480E       | 0,35÷0,5                        | CuZn-Sn     | 0,3                         | 1108402    | 100    | 1708402     | 16500  |

# F630E & M630

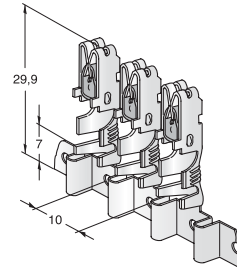


| IMG. | DES.      | WIRE SECTION mm <sup>2</sup> | WIRE DIAMETER Ømm | MATERIAL    | MATERIAL THICKNESS mm | TAB       | COLOUR | P/N BOX | M.O.Q. | P/N REEL | M.O.Q. |
|------|-----------|------------------------------|-------------------|-------------|-----------------------|-----------|--------|---------|--------|----------|--------|
| 1    | F630 E WP | 2÷3                          |                   | Cu Alloy-Sn | 0,4                   | 6,3 x 0,8 |        |         |        | 1708505  | 5400   |
|      | F630 E WP | 4÷6                          |                   | Cu Alloy-Sn | 0,4                   | 6,3 x 0,8 |        |         |        | 1708504  | 5400   |
| 2    | M630 WP   | 2,5÷4                        |                   | Cu-Sn       | 0,8                   |           |        |         |        | 1707995  | 1700   |
|      | M630 WP   | 6                            |                   | Cu-Sn       | 0,8                   |           |        |         |        | 1707994  | 1700   |
| 3    | GASKET    |                              | 2,7÷3,7           | Silicon     |                       |           | Blue   | 4551901 | 10000  |          |        |
|      | GASKET    |                              | 4÷4,3             | Silicon     |                       |           | Green  | 4551902 | 10000  |          |        |
| 4    | F630 E    | 0,35÷0,5                     |                   | CuZn-Sn     | 0,4                   | 6,3 x 0,8 |        | 1108500 | 100    | 1708500  | 10500  |
|      | F630 E    | 0,75÷1,5                     |                   | CuZn-Sn     | 0,4                   | 6,3 x 0,8 |        | 1108501 | 100    | 1708501  | 9000   |
|      | F630 E    | 2÷3                          |                   | Cu Alloy-Sn | 0,4                   | 6,3 x 0,8 |        | 1108502 | 100    | 1708502  | 7500   |
|      | F630 E    | 4÷6                          |                   | Cu Alloy-Sn | 0,4                   | 6,3 x 0,8 |        | 1108503 | 100    | 1708503  | 6300   |
|      | F630 E    | 0,35÷0,5                     |                   | CuZn-Sn     | 0,4                   | 5,2 x 0,6 |        | 1108510 | 100    | 1708510  | TBD    |
|      | F630 E    | 0,75÷1,5                     |                   | CuZn-Sn     | 0,4                   | 5,2 x 0,6 |        | 1108511 | 100    | 1708511  | 9000   |
|      | F630 E    | 2÷2,5                        |                   | Cu Alloy-Sn | 0,4                   | 5,2 x 0,6 |        | 1108512 | 100    | 1708512  | 7500   |
|      | F630 E    | 4÷6                          |                   | Cu Alloy-Sn | 0,4                   | 5,2 x 0,6 |        | 1108513 | 100    | 1708513  | 6300   |
| 5    | M630      | 1,5÷2                        |                   | Cu-Sn       | 0,8                   |           |        | 1107990 | 20     | 1707990  | 3000   |
|      | M630      | 2,5÷4                        |                   | Cu-Sn       | 0,8                   |           |        | 1107991 | 20     | 1707991  | 2000   |
|      | M630      | 6÷8                          |                   | Cu-Sn       | 0,8                   |           |        | 1107992 | 20     | 1707992  | 1900   |
|      | M630      | 10                           |                   | Cu-Sn       | 0,8                   |           |        | 1107993 | 20     | 1707993  | 1700   |

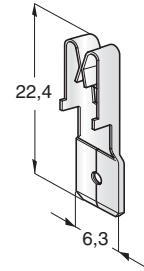
# UNI 630



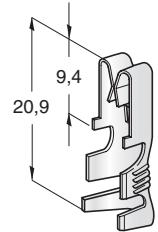
1



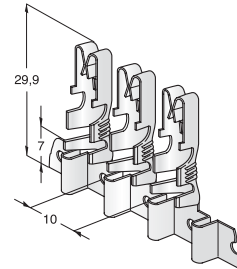
2



3



4

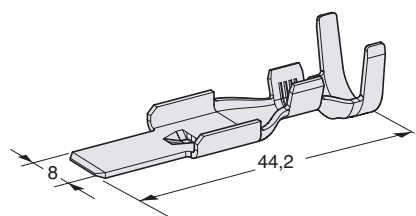


5

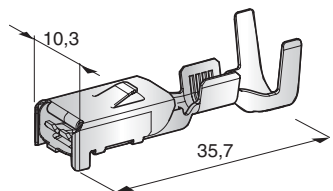
| IMG | DESCRIPTION                | WIRE SECTION<br>mm <sup>2</sup> | MATERIAL | MATERIAL<br>THICKNESS<br>mm | P/N<br>BOX | M.O.Q. | P/N<br>REEL | M.O.Q. |
|-----|----------------------------|---------------------------------|----------|-----------------------------|------------|--------|-------------|--------|
| 1   | UNI F630 WITH CLIP         | 0,5÷1,5                         | CuSn-Sn  | 0,4                         | 1107920    | 100    | 1707920     | 6000   |
|     | UNI F630 WITH CLIP         | 2÷3                             | CuSn-Sn  | 0,4                         | 1107930    | 100    | 1707930     | 6000   |
|     | UNI F630 WITH CLIP         | 4÷6                             | CuNi-Sn  | 0,4                         | 1107940    | 50     | 1707940     | 5400   |
| 2   | UNI F630 BUS BAR WITH CLIP | 2÷3                             | CuSn-Sn  | 0,4                         |            |        | 1707932     | 9000   |
|     | UNI F630 BUS BAR WITH CLIP | 4÷6                             | CuNi-Sn  | 0,4                         |            |        | 1707942     | 9000   |
| 3   | UNI F630                   |                                 | CuSn-Sn  | 0,4                         | 1107501    | 100    | 1907501box  | 8000   |
| 4   | UNI F630                   | 0,5÷1,5                         | CuSn-Sn  | 0,4                         | 1107900    | 100    | 1707900     | 6000   |
|     | UNI F630                   | 2÷3                             | CuSn-Sn  | 0,4                         |            |        | 1707902     | 6000   |
|     | UNI F630                   | 4÷6                             | CuSn-Sn  | 0,4                         | 1107901    | 100    | 1707901     | 5400   |
| 5   | UNI F630 BUS BAR           | 2÷3                             | CuSn-Sn  | 0,4                         |            |        | 1707912     | 9000   |
|     | UNI F630 BUS BAR           | 4÷6                             | CuSn-Sn  | 0,4                         |            |        | 1707911     | 9000   |



# MAXI 800 WP



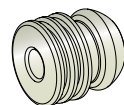
1



2



3

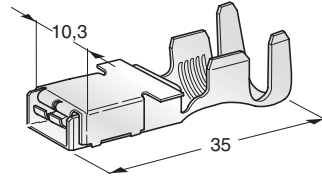


4

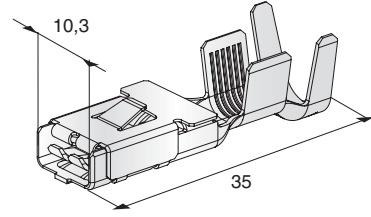
| IMG | DESCRIPTION | WIRE SECTION<br>mm <sup>2</sup> | WIRE DIAMETER<br>Ømm | MATERIAL | MATERIAL<br>THICKNESS<br>mm | COLOUR    | P/N<br>BOX | M.O.Q. | P/N<br>REEL | M.O.Q. |
|-----|-------------|---------------------------------|----------------------|----------|-----------------------------|-----------|------------|--------|-------------|--------|
| 1   | WP M800     | 2,5÷4                           |                      | Cu-Sn    | 0,8                         |           | 1107760    | 20     | 1707760     | 1300   |
|     | WP M800     | 6÷8                             |                      | Cu-Sn    | 0,8                         |           | 1107770    | 20     | 1707770     | 1000   |
|     | WP M800     | 10÷16                           |                      | Cu-Sn    | 0,8                         |           |            |        | 1707780     | 1300   |
| 2   | WP F800     | 1,5 ÷ 2,5                       |                      | CuZn-Sn  | 0,5                         |           | 1107400    | 20     | 1707400     | 1300   |
|     | WP F800     | 3 ÷ 6                           |                      | CuZn-Sn  | 0,5                         |           | 1107410    | 20     | 1707410     | 1300   |
|     | WP F800     | 7 ÷ 10                          |                      | CuNi-Sn  | 0,5                         |           | 1107420    | 20     | 1707420     | 1300   |
| 3   | GASKET      |                                 | 1,9 - 3,3            | SILICON  |                             | ■ Green   | 4550780    | 5000   |             |        |
|     | GASKET      |                                 | 3,4 - 4,9            | SILICON  |                             | ■ Blue    | 4550781    | 5000   |             |        |
|     | GASKET      |                                 | 5 - 6,5              | SILICON  |                             | ■ Red     | 4550782    | 5000   |             |        |
| 4   | CAVITY PLUG |                                 |                      | SILICON  |                             | □ Natural | 4550784    | 5000   |             |        |



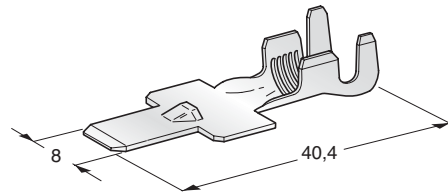
# MAXI 800



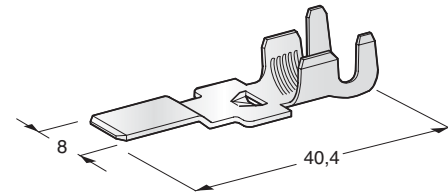
1



2



3

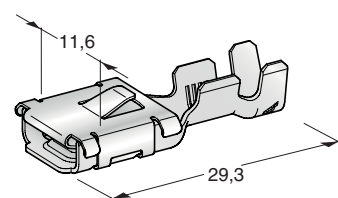


4

| IMG | DESCRIPTION    | WIRE SECTION<br>mm <sup>2</sup> | MATERIAL | MATERIAL<br>THICKNESS<br>mm | P/N<br>BOX | M.O.Q. | P/N<br>REEL | M.O.Q. |
|-----|----------------|---------------------------------|----------|-----------------------------|------------|--------|-------------|--------|
| 1   | F800           | 1,5÷2,5                         | CuZn-Sn  | 0,5                         | 1107650    | 20     | 1707650     | 1600   |
|     | F800           | 4÷6                             | CuZn-Sn  | 0,5                         | 1107660    | 20     | 1707660     | 1600   |
|     | F800           | 8÷10                            | CuZn-Sn  | 0,5                         | 1107670    | 20     | 1707670     | 1300   |
|     | F800           | 8÷10                            | CuNi-Sn  | 0,5                         |            |        | 1707672     | 1300   |
|     | F800           | 16                              | CuNi-Sn  | 0,5                         | 1107671    | 20     | 1707671     | 1300   |
| 2   | F800 WITH CLIP | 1,5÷2,5                         | CuZn-Sn  | 0,5                         |            |        | 1707620     | 2000   |
|     | F800 WITH CLIP | 4÷6                             | CuZn-Sn  | 0,5                         |            |        | 1707621     | 2000   |
|     | F800 WITH CLIP | 8÷10                            | CuNi-Sn  | 0,5                         |            |        | 1707622     | 1300   |
| 3   | M800           | 2,5÷4                           | Cu-Sn    | 0,8                         | 1107675    | 20     | 1707675     | 2000   |
|     | M800           | 6÷8                             | Cu-Sn    | 0,8                         | 1107685    | 20     | 1707685     | 1600   |
|     | M800           | 10÷16                           | Cu-Sn    | 0,8                         | 1107690    | 20     | 1707690     | 1300   |
| 4   | WP M800        | 2,5÷4                           | Cu-Sn    | 0,8                         | 1107700    | 20     | 1707700     | 2000   |
|     | WP M800        | 6÷8                             | Cu-Sn    | 0,8                         | 1107710    | 20     | 1707710     | 1600   |
|     | WP M800        | 10÷16                           | Cu-Sn    | 0,8                         | 1107720    | 20     | 1707720     | 1400   |



# POWER 950

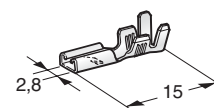


1

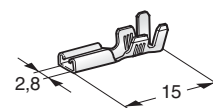
| IMG | DESCRIPTION | WIRE SECTION<br>mm <sup>2</sup> | MATERIAL | MATERIAL<br>THICKNESS<br>mm | P/N<br>BOX | M.O.Q. | P/N<br>REEL | M.O.Q. |
|-----|-------------|---------------------------------|----------|-----------------------------|------------|--------|-------------|--------|
| 1   | F950        | 2,5÷4                           | Cu-Sn    | 0,6                         | 1107740    | 20     | 1707740     | 2000   |
|     | F950        | 6÷8                             | Cu-Sn    | 0,6                         | 1107741    | 20     | 1707741     | 1600   |
|     | F950        | 10÷16                           | Cu-Sn    | 0,6                         |            |        | 1707742     | 1300   |



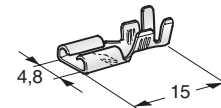
# FASTON



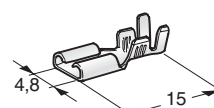
1



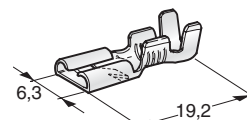
2



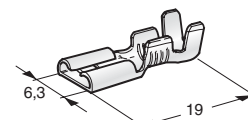
3



4



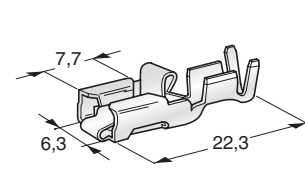
5



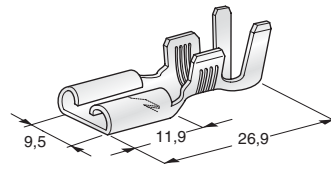
6

| IMG | DESCRIPTION             | WIRE SECTION<br>mm <sup>2</sup> | MATERIAL THICKNESS<br>mm | MATERIAL | P/N BOX | M.O.Q. | P/N BOX | M.O.Q. | P/N REEL | M.O.Q. |
|-----|-------------------------|---------------------------------|--------------------------|----------|---------|--------|---------|--------|----------|--------|
| 1   | F280 WITH LOCKING NOTCH | 0,5÷1                           | 0,25                     | CuZn-Sn  | 1101700 | 200    |         |        |          |        |
| 2   | F280                    | 0,3÷1                           | 0,30                     | CuZn     | 1301390 | 2000   | 1901390 | 10000  |          |        |
| 3   | F480 WITH LOCKING NOTCH | 0,5÷1                           | 0,32                     | CuZn-Sn  | 1101710 | 100    |         |        |          |        |
| 4   | FASTON F480             | 0,5÷1                           | 0,33                     | CuZn     | 1301391 | 100    | 1901391 | 10000  |          |        |
| 5   | F630 WITH LOCKING NOTCH | 1÷2,5                           | 0,35                     | CuZn     | 1301650 | 5000   | 1901650 | 8000   |          |        |
|     | F630 WITH LOCKING NOTCH | 1÷2,5                           | 0,35                     | CuZn-Sn  | 1101650 | 5000   | 1911650 | 8000   | 1701650  | 15000  |
|     | F630 WITH LOCKING NOTCH | 2,5÷6                           | 0,35                     | CuZn-Sn  |         |        |         |        | 1701651  | 3000   |
| 6   | F630                    | 0,5÷1,5                         | 0,40                     | CuZn     | 1301402 | 100    | 1901402 | 5000   |          |        |
|     | F630                    | 1÷2,5                           | 0,35                     | CuZn-Sn  |         |        |         |        | 1701655  | 15000  |
|     | F630                    | 1÷2,5                           | 0,40                     | CuZn     | 1301400 | 10000  | 1901400 | 8000   | 1401400  | 15000  |
|     | F630                    | 1÷2,5                           | 0,40                     | CuZn-Sn  | 1101400 | 200    | 1911400 | 8000   | 1701400  | 15000  |

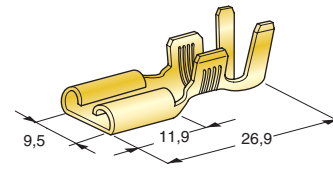
# FASTON



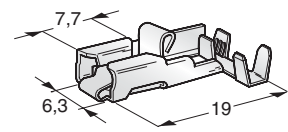
1



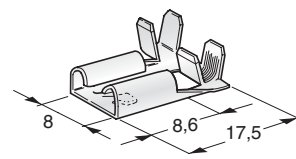
2



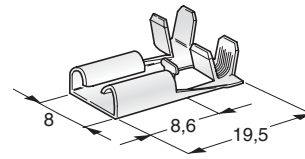
3



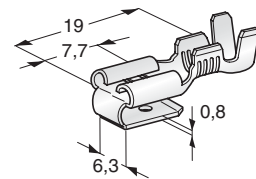
4



5



6

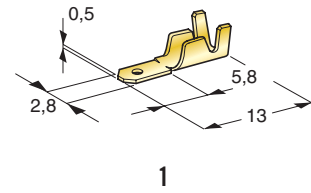


7

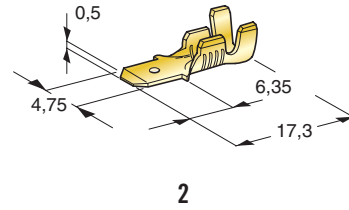
| IMG | DESCRIPTION                  | WIRE SECTION<br>mm <sup>2</sup> | MATERIAL<br>THICKNESS<br>mm | MATERIAL | P/N<br>BOX | M.O.Q. | P/N<br>REEL | M.O.Q. |
|-----|------------------------------|---------------------------------|-----------------------------|----------|------------|--------|-------------|--------|
| 1   | ANTISF F630                  | 0,5÷1,5                         | 0,4                         | CuZn-Sn  | 1107000    | 50     |             |        |
|     | ANTISF F630                  | 2,5÷4                           | 0,4                         | CuZn-Sn  | 1107010    | 50     |             |        |
| 2   | F950 WITH LOCKING NOTCH      | 6÷10                            | 0,4                         | CuZn-Sn  | 1101720    | 100    |             |        |
| 3   | F950                         | 3÷6                             | 0,4                         | CuZn     | 1301420    | 100    | 1901420box  | 3000   |
| 4   | ANTISF F630 FLAG             | 1÷2,5                           | 0,4                         | CuZn-Sn  | 1107020    | 50     |             |        |
| 5   | F800 FLAG WITH LOCKING NOTCH | 1÷2,5                           | 0,4                         | CuZn-Sn  | 1101680    | 50     |             |        |
| 6   | F800 FLAG                    | 1÷2,5                           | 0,4                         | CuZn-Sn  |            |        | 1951145box  | 1000   |
| 7   | 630 2WAY                     | 0,8÷2,5                         | 0,4                         | CuZn-Sn  | 1301501    | 100    | 1901501box  | 5000   |



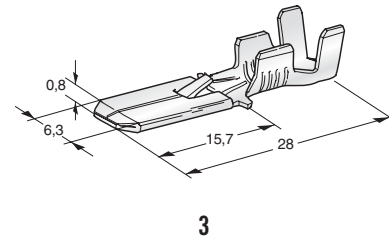
# FASTON



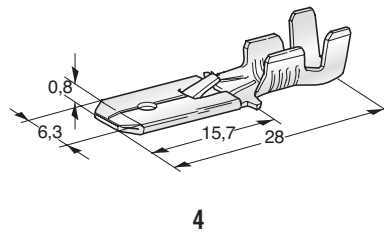
1



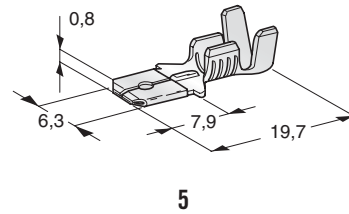
2



3



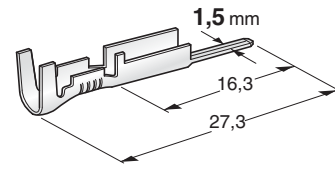
4



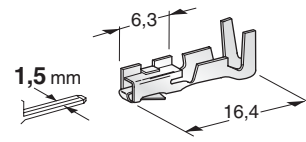
5

| IMG | DESCRIPTION             | WIRE SECTION<br>mm <sup>2</sup> | MATERIAL<br>THICKNESS<br>mm | MATERIAL | P/N<br>BOX | M.O.Q. | P/N<br>REEL | M.O.Q. |
|-----|-------------------------|---------------------------------|-----------------------------|----------|------------|--------|-------------|--------|
| 1   | M280                    | 0,5÷1                           | 0,5                         | CuZn     | 1301418    | 200    | 1901418box  | 5000   |
| 2   | M480                    | 0,3÷1                           | 0,5                         | CuZn     | 1301417    | 200    | 1901417box  | 5000   |
| 3   | M630 WITH LOCKING NOTCH | 0,75÷2                          | 0,4                         | CuZn-Sn  | 1101660    | 100    | 1701660     | 3500   |
|     | M630 WITH LOCKING NOTCH | 0,75÷2                          | 0,4                         | CuZn     | 1301660    | 5000   |             |        |
|     | M630 WITH LOCKING NOTCH | 0,75÷2                          | 0,4                         | CuZn     | 1901660    | 5000   |             |        |
|     | M630 WITH LOCKING NOTCH | 4÷6                             | 0,4                         | CuZn-Sn  | 1101662    | 100    |             |        |
| 4   | M630 WITH LOCKING NOTCH | 1÷2,5                           | 0,4                         | CuZn     | 1301665    | 100    | 1901665box  | 5000   |
| 5   | M630                    | 0,5÷1                           | 0,4                         | CuZn     | 1301411    | 100    | 1901411box  | 5000   |
|     | M630                    | 1÷2,5                           | 0,4                         | CuZn-Sn  | 1101412    | 100    | 1701412     | 5000   |
|     | M630                    | 1÷2,5                           | 0,4                         | CuZn-Sn  | 1951194    | 5000   |             |        |
|     | M630                    | 1÷2,5                           | 0,4                         | CuZn     | 1301412    | 100    | 1901412box  | 5000   |

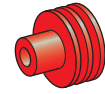
# FOR SEAL CONNECTORS



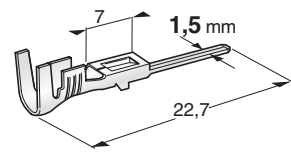
1



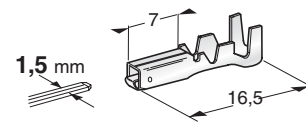
2



3



4



5



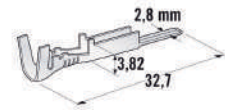
6



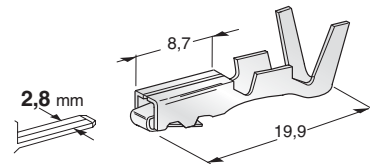
7

| IMG | DESCRIPTION    | WIRE SECTION<br>mm <sup>2</sup> | MATERIAL<br>THICKNESS<br>mm | MATERIAL | COLOUR | P/N<br>BOX | M.O.Q. | P/N<br>REEL | M.O.Q. |
|-----|----------------|---------------------------------|-----------------------------|----------|--------|------------|--------|-------------|--------|
| 1   | METRIPACK M150 | 0,5÷1                           | 0,4                         | CuZn-Sn  |        | 1105510    | 100    |             |        |
| 2   | METRIPACK F150 | 0,5÷1                           | 0,4                         | CuZn-Sn  |        | 1105500    | 100    |             |        |
| 3   | RUBBER         | 0,5÷1                           | -                           | Silicon  | Red    | 4407530    | 100    |             |        |
| 4   | S-SEAL M150    | 1÷1,5                           | 0,32                        | CuZn-Sn  |        | 1105550    | 100    | 1705550     | 4000   |
| 5   | S-SEAL F150    | 1÷1,5                           | 0,3                         | CuZn-Sn  |        | 1105560    | 100    | 1705560     | 4000   |
| 6   | RUBBER         | 0,5÷1                           | -                           | Silicon  | Yellow | 4407740    | 100    | 4507740box  | 10000  |
| 7   | CAVITY PLUG    |                                 | -                           | Silicon  | Red    | 4407750    | 100    |             |        |

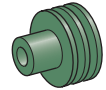
## FOR SEAL CONNECTORS



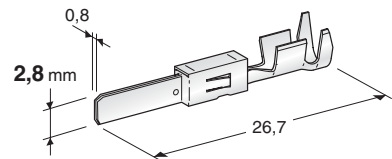
1



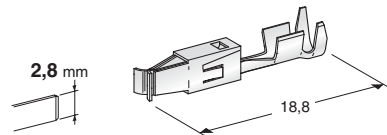
2



3



4



5



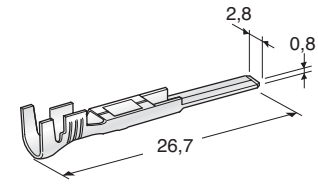
6



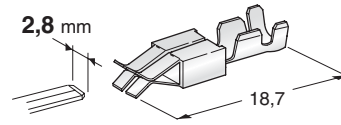
7

| IMG | DESCRIPTION    | WIRE SECTION<br>mm <sup>2</sup> | MATERIAL<br>THICKNESS<br>mm | MATERIAL | COLOUR  | P/N<br>BOX | M.O.Q. | P/N<br>REEL | M.O.Q. |
|-----|----------------|---------------------------------|-----------------------------|----------|---------|------------|--------|-------------|--------|
| 1   | METRIPACK M280 | 1÷2,5                           | 0,4                         | CuSn-Sn  |         | 1104500    | 50     | 1704500     | 3500   |
| 2   | METRIPACK F280 | 1÷2,5                           | 0,4                         | CuSn-Sn  |         | 1104510    | 100    | 1704510     | 3200   |
| 3   | RUBBER         | 1÷2,5                           |                             | Silicon  | ■ Green | 4407510    | 100    | 4507510box  | 5000   |
| 4   | JPT-WP M280    | 0,5÷1,5                         | 0,32                        | CuSn-Sn  |         | 1108290    | 100    |             |        |
|     | JPT-WP M280    | 1,5÷2,5                         | 0,32                        | CuSn-Sn  |         | 1108300    | 100    |             |        |
| 5   | JPT-WP F280    | 0,5÷1                           | 0,32                        | CuSn-Sn  |         | 1108260    | 100    |             |        |
|     | JPT-WP F280    | 1÷2,5                           | 0,32                        | CuSn-Sn  |         | 1108270    | 100    |             |        |
| 6   | RUBBER         | 0,5÷1                           |                             | Silicon  | ■ Azure | 4510662    | 100    |             |        |
| 7   | RUBBER         | 1,5÷2,5                         |                             | Silicon  | □ White | 4510658    | 100    |             |        |

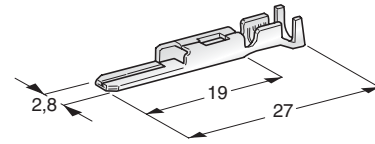
## FOR SEAL CONNECTORS



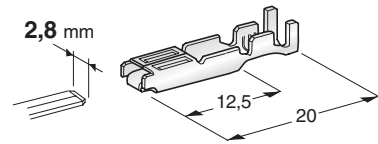
1



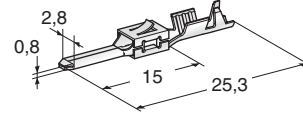
2



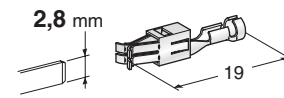
3



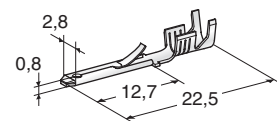
4



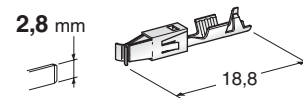
5



6



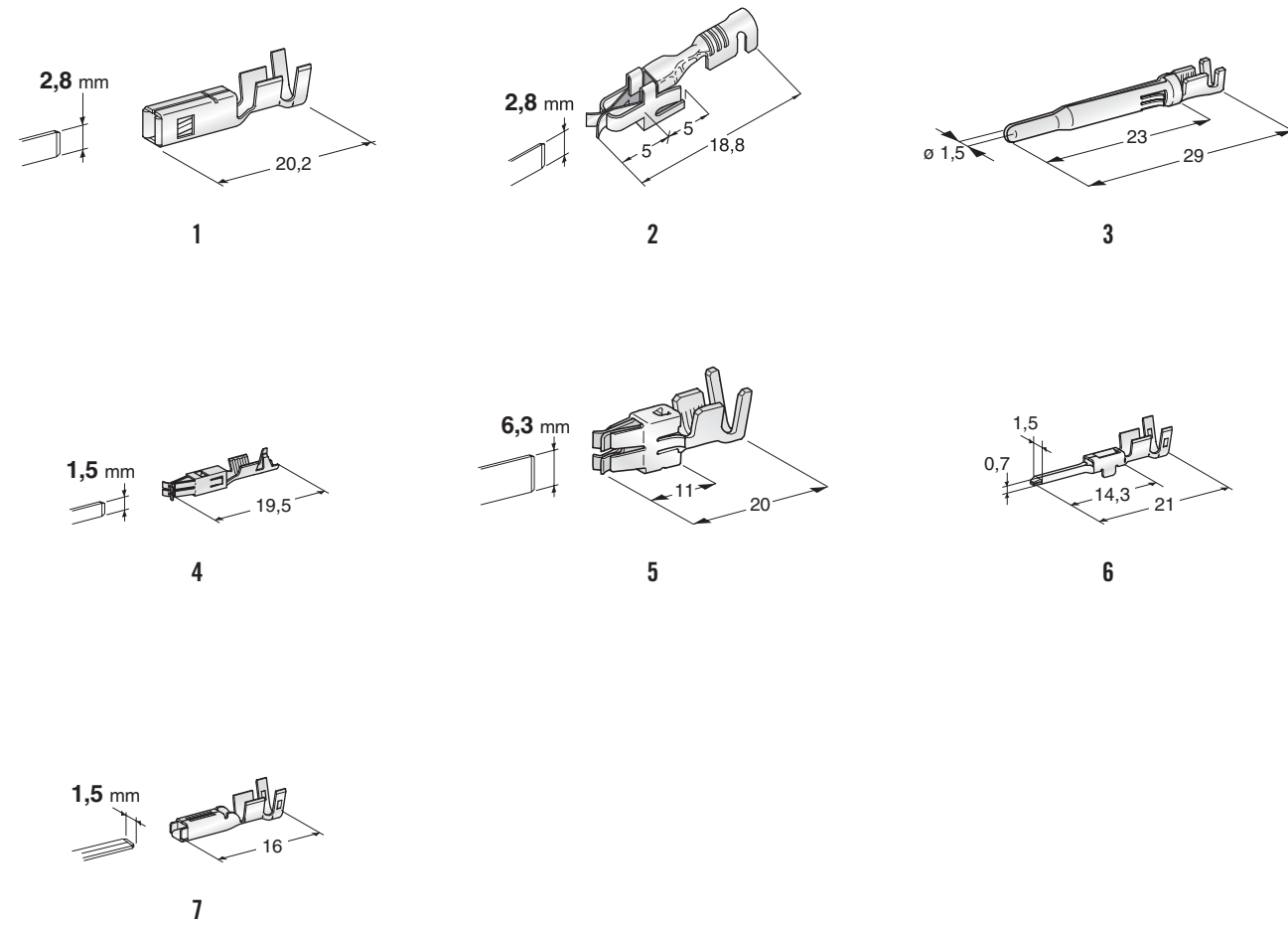
7



8

| IMG | DESCRIPTION             | WIRE SECTION<br>mm <sup>2</sup> | MATERIAL<br>THICKNESS<br>mm | MATERIAL | P/N<br>BOX | M.O.Q. |
|-----|-------------------------|---------------------------------|-----------------------------|----------|------------|--------|
| 1   | JT M280                 | 0,35±1                          | 0,32                        | CuSn-Sn  | 1108280    | 100    |
| 2   | JT F280                 | 0,5±1,5                         | 0,32                        | CuSn-Sn  | 1107210    | 200    |
|     | JT F280                 | 1,5±2,5                         | 0,32                        | CuSn-Sn  | 1107211    | 100    |
| 3   | MARK II M280            | 0,5±1,5                         | 0,40                        | CuSn-Sn  | 1102010    | 200    |
| 4   | MARK II F280            | 0,5±1,5                         | 0,40                        | CuSn-Sn  | 1102000    | 100    |
| 5   | M280                    | 0,5±1                           | 0,30                        | CuFe-Sn  | 1108030    | 50     |
| 6   | F280                    | 0,5±1                           | 0,30                        | CuFe-Sn  | 1108050    | 100    |
| 7   | DIN 46343 FOR CAR RADIO | 0,5±1                           | 0,38                        | CuSn-Sn  | 1108060    | 100    |
| 8   | JPT F280                | 0,2±0,5                         | 0,32                        | CuSn-Sn  | 1105615    | 100    |
|     | JPT F280                | 0,5±1                           | 0,32                        | CuSn-Sn  | 1105620    | 100    |
|     | JPT F280                | 1,5±2,5                         | 0,32                        | CuSn-Sn  | 1105630    | 100    |

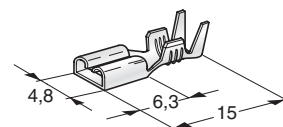
## FOR SEAL CONNECTORS



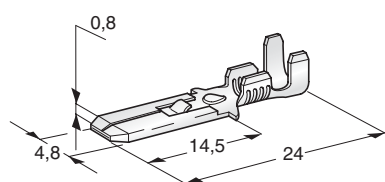
| IMG | DESCRIPTION | WIRE SECTION<br>mm <sup>2</sup> | MATERIAL<br>THICKNESS<br>mm | MATERIAL | P/N<br>BOX | M.O.Q. |
|-----|-------------|---------------------------------|-----------------------------|----------|------------|--------|
| 1   | SICMA2 F280 | 0,35÷0,75                       | 0,35                        | CuZn-Sn  | 1105660    | 100    |
|     | SICMA2 F280 | 1÷2,5                           | 0,35                        | CuZn-Sn  | 1105670    | 100    |
| 2   | JPT F280    | 0,5÷1                           | 0,40                        | CuZn-Sn  | 1107209    | 100    |
|     | JPT F280    | 1,5÷2,5                         | 0,40                        | CuZn-Sn  | 1107212    | 100    |
| 3   | MFS M150    | 0,5÷1                           | 0,30                        | CuZn-Sn  | 1108010    | 100    |
| 4   | MKF F150    | 0,5÷1                           | 0,30                        | CuZn-Sn  | 1108020    | 100    |
| 5   | SPT F630    | 2,5÷4                           | 0,40                        | CuZn-Sn  | 1102050    | 100    |
| 6   | 070 M150    | 0,75÷1,5                        | 0,30                        | CuZn-Sn  | 1108080    | 100    |
| 7   | 070 F150    | 0,75÷1,5                        | 0,30                        | CuZn-Sn  | 1108070    | 100    |



# PITCH 5



1

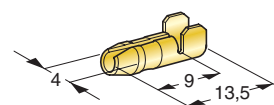


2

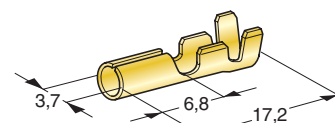
| IMG | DESCRIPTION                     | WIRE SECTION<br>mm <sup>2</sup> | MATERIAL<br>THICKNESS<br>mm | MATERIAL | P/N<br>BOX | M.O.Q. | P/N<br>REEL | M.O.Q. |
|-----|---------------------------------|---------------------------------|-----------------------------|----------|------------|--------|-------------|--------|
| 1   | PITCH 5 F480                    | 0,5÷1,5                         | 0,35                        | CuZn-Sn  | 1101940    | 100    | 1701940     | 12000  |
| 2   | PITCH 5 M480 WITH LOCKING NOTCH | 0,5÷1,5                         | 0,40                        | CuZn-Sn  | 1101950    | 100    |             |        |



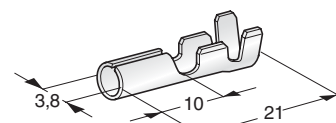
# PIN



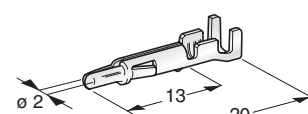
1



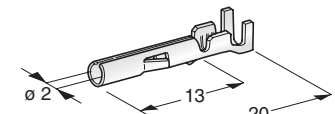
2



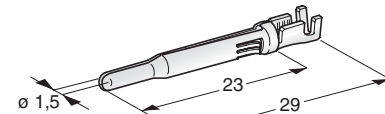
3



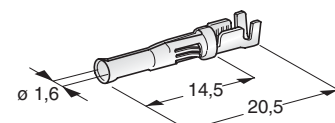
4



5



6

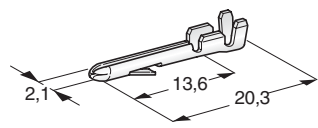


7

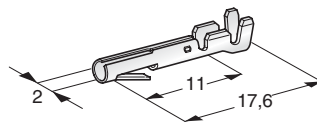
| IMG | DESCRIPTION         | WIRE SECTION<br>mm <sup>2</sup> | MATERIAL<br>THICKNESS<br>mm | MATERIAL | P/N<br>BOX | M.O.Q. |
|-----|---------------------|---------------------------------|-----------------------------|----------|------------|--------|
| 1   | PIN TERMINAL L13 M4 | 1÷2,5                           | 0,40                        | CuZn     | 1201000    | 100    |
| 2   | PIN TERMINAL L17 F4 | 1÷2,5                           | 0,40                        | CuZn     | 1201070    | 100    |
| 3   | PIN TERMINAL L21 F4 | 0,5÷2,5                         | 0,40                        | CuZn     | 1201110    | 100    |
| 4   | MATE-N-LOCK M2      | 0,5÷2,5                         | 0,30                        | CuZn-Sn  | 1201210    | 200    |
| 5   | MATE-N-LOCK F2      | 0,5÷2,5                         | 0,30                        | CuZn-Sn  | 1201200    | 200    |
| 6   | ECONOSEAL M15       | 0,5÷1,5                         | 0,30                        | CuZn-Sn  | 1201230    | 200    |
| 7   | ECONOSEAL F15       | 0,5÷1,5                         | 0,30                        | CuZn-Sn  | 1201220    | 200    |



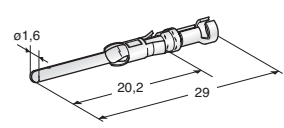
# PIN



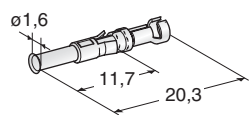
1



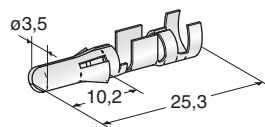
2



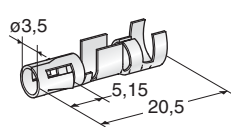
3



4



5



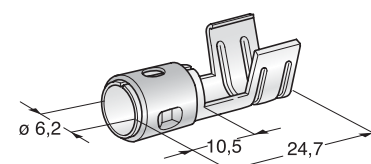
6

| IMG | DESCRIPTION                                 | WIRE SECTION<br>mm <sup>2</sup> | MATERIAL<br>THICKNESS<br>mm | MATERIAL | P/N<br>BOX | M.O.Q. |
|-----|---|---------------------------------|-----------------------------|----------|------------|--------|
| 1   | PIN TERMINAL L20 M2.1 FOR WATER TEMPERATURE | 0,5÷1                           | 0,32                        | CuZn-Sn  | 1201150    | 200    |
| 2   | PIN TERMINAL L17 F2                         | 0,5÷1                           | 0,32                        | CuZn-Sn  | 1201160    | 200    |
| 3   | PIN TERMINAL L29 M1.6                       | 0,5÷1                           | 0,35                        | CuSn-Sn  | 1107960    | 100    |
| 4   | PIN TERMINAL L20 F1.6                       | 0,5÷1                           | 0,35                        | CuSn-Sn  | 1107970    | 100    |
| 5   | PIN TERMINAL L25 M3.5                       | 4÷6                             | 0,35                        | CuSn-Sn  | 1107980    | 50     |
| 6   | PIN TERMINAL L20 F3.5                       | 2,5÷6                           | 0,35                        | CuSn-Sn  | 1108000    | 50     |

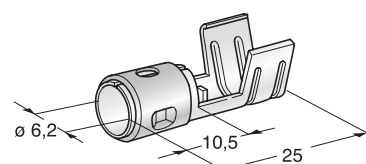




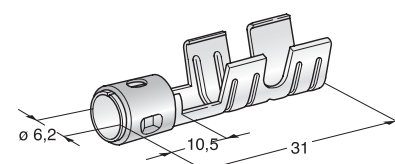
# IGNITION CABLES



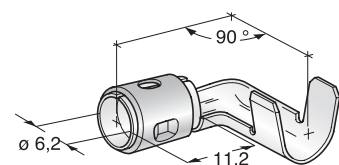
1



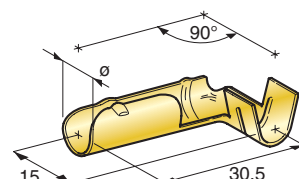
2



3



4



5

| IMG | DESCRIPTION                     | WIRE SECTION mm <sup>2</sup> | Ø mm | MATERIAL    | MATERIAL THICKNESS mm | P/N REEL | M.O.Q. | P/N REEL | M.O.Q. |
|-----|---------------------------------|------------------------------|------|-------------|-----------------------|----------|--------|----------|--------|
| 1   | PLUG TERMINAL WITH CLIP         | 7                            | 6,2  | St AISI 430 | 0,5                   |          |        | 1400860  | 2000   |
| 2   | PLUG TERMINAL WITH CLIP         | 7                            | 6,2  | St AISI 430 | 0,5                   |          |        | 1400865  | 2000   |
| 3   | PLUG TERMINAL WITH CLIP         | 7                            | 6,2  | St AISI 430 | 0,5                   |          |        | 1400850  | 2000   |
| 4   | PLUG TERMINAL 90° WITH CLIP     | 7                            | 6,2  | St AISI 430 | 0,5                   |          |        | 1400862  | 1000   |
| 5   | COIL - DISTRIBUTOR TERMINAL 90° | 7                            | 8,3  | CuZn 67     | 0,5                   | 1200880  | 100    | 1400880  | 1250   |

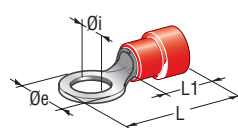


# INSULATED TERMINALS

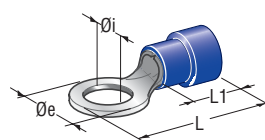




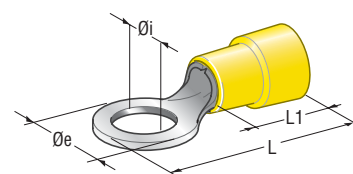
## RING



1



2

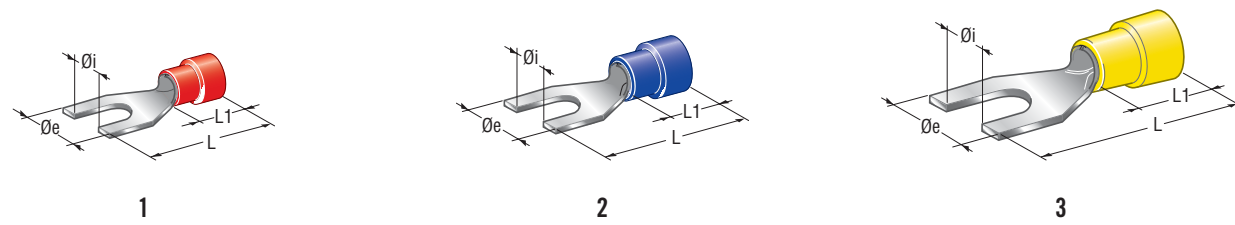


3

| IMG | DESCRIPTION | WIRE SECTION mm <sup>2</sup> | $\phi_i$ mm | $\phi_e$ mm | L mm | L1 mm | MATERIAL   | MATERIAL THICKNESS mm | P/N BOX | M.O.Q. | P/N BULK | M.O.Q. |
|-----|-------------|------------------------------|-------------|-------------|------|-------|------------|-----------------------|---------|--------|----------|--------|
| 1   | RING        | 0,25-1÷1                     | 3,2         | 5,5         | 18,0 | 10,5  | Cu-Sn PA66 | 0,75                  | 1853050 | 100    | 1853059  | 1000   |
|     |             | 0,25-1÷1                     | 3,7         | 5,5         | 18,0 | 10,5  | Cu-Sn PA66 | 0,75                  | 1853060 | 100    | 1853069  | 1000   |
|     |             | 0,25-1÷1                     | 4,3         | 6,6         | 20,1 | 10,5  | Cu-Sn PA66 | 0,75                  | 1853070 | 100    | 1853079  | 1000   |
|     |             | 0,25-1÷1                     | 5,3         | 8,0         | 21,5 | 10,5  | Cu-Sn PA66 | 0,75                  | 1853150 | 100    | 1853159  | 1000   |
|     |             | 0,25-1÷1                     | 6,4         | 11,6        | 27,4 | 10,5  | Cu-Sn PA66 | 0,75                  | 1853200 | 100    | 1853209  | 1000   |
| 2   | RING        | 0,25-1÷1                     | 8,4         | 11,6        | 27,4 | 10,5  | Cu-Sn PA66 | 0,75                  | 1853250 | 100    |          |        |
|     |             | 1÷2,5                        | 4,3         | 8,5         | 23,0 | 11,0  | Cu-Sn PA66 | 0,80                  | 1857100 | 100    | 1857109  | 1000   |
|     |             | 1÷2,5                        | 5,3         | 8,5         | 23,0 | 11,0  | Cu-Sn PA66 | 0,80                  | 1857150 | 100    | 1857159  | 1000   |
|     |             | 1÷2,5                        | 6,4         | 12,0        | 28,0 | 11,0  | Cu-Sn PA66 | 0,80                  | 1857200 | 100    | 1857209  | 1000   |
|     |             | 1÷2,5                        | 8,4         | 12,0        | 28,0 | 11,0  | Cu-Sn PA66 | 0,80                  | 1857250 | 100    | 1857259  | 1000   |
| 3   | RING        | 2,5÷6                        | 4,3         | 7,2         | 23,5 | 14,0  | Cu-Sn PA66 | 1                     | 1863100 | 50     | 1863109  | 1000   |
|     |             | 2,5÷6                        | 5,3         | 9,5         | 27,0 | 14,0  | Cu-Sn PA66 | 1                     | 1863150 | 50     | 1863159  | 1000   |
|     |             | 2,5÷6                        | 6,4         | 12,0        | 30,5 | 14,0  | Cu-Sn PA66 | 1                     | 1863200 | 50     | 1863209  | 500    |
|     |             | 2,5÷6                        | 8,4         | 15,0        | 35,2 | 14,0  | Cu-Sn PA66 | 1                     | 1863250 | 50     | 1863259  | 500    |
|     |             | 2,5÷6                        | 10,4        | 15,0        | 35,2 | 14,0  | Cu-Sn PA66 | 1                     | 1863300 | 50     | 1863309  | 500    |



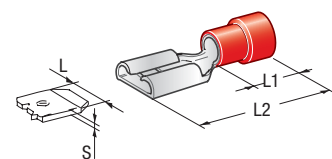
# FORK



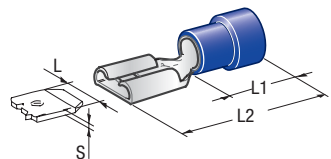
| IMG | DESCRIPTION | WIRE SECTION mm <sup>2</sup> | $\phi_i$ mm | $\phi_e$ mm | L mm | L1 mm | MATERIAL   | MATERIAL THICKNESS mm | P/N BOX | M.O.Q. | P/N BULK | M.O.Q. |
|-----|-------------|------------------------------|-------------|-------------|------|-------|------------|-----------------------|---------|--------|----------|--------|
| 1   | FORK        | 0,25÷1                       | 3,7         | 6,4         | 21,5 | 10,5  | Cu-Sn PA66 | 0,75                  |         |        | 1865069  | 1000   |
|     |             | 0,25÷1                       | 4,3         | 6,4         | 21,5 | 10,5  | Cu-Sn PA66 | 0,75                  | 1865100 | 100    | 1865109  | 1000   |
|     |             | 0,25÷1                       | 5,3         | 9,5         | 22,2 | 10,5  | Cu-Sn PA66 | 0,75                  | 1865200 | 100    | 1865209  | 1000   |
| 2   | FORK        | 1÷2,5                        | 4,3         | 6,4         | 22,7 | 11    | Cu-Sn PA66 | 0,80                  | 1866100 | 100    | 1866109  | 1000   |
|     |             | 1÷2,5                        | 6,4         | 12,0        | 28,4 | 11    | Cu-Sn PA66 | 0,80                  | 1866300 | 100    | 1866309  | 1000   |
| 3   | FORK        | 2,5÷6                        | 4,3         | 8,3         | 27,0 | 14    | Cu-Sn PA66 | 1                     | 1867000 | 50     | 1867009  | 1000   |
|     |             | 2,5÷6                        | 5,3         | 9,5         | 26,7 | 14    | Cu-Sn PA66 | 1                     | 1867100 | 50     | 1867109  | 1000   |
|     |             | 2,5÷6                        | 6,4         | 12,0        | 32,7 | 14    | Cu-Sn PA66 | 1                     | 1867200 | 50     | 1867209  | 1000   |



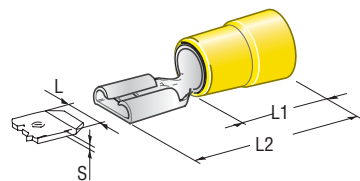
## PUSH ON



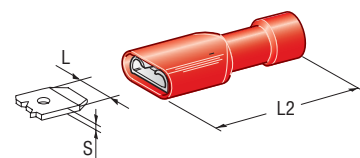
1



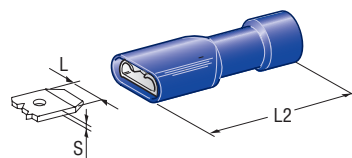
2



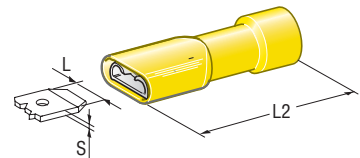
3



4



5



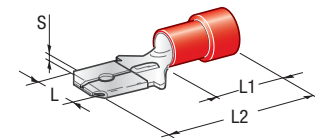
6



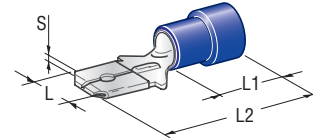
| IMG. | DESCRIPTION | WIRE SECTION<br>mm <sup>2</sup> | S<br>mm | L<br>mm | L1<br>mm | L2<br>mm | MATERIAL    | MATERIAL THICKNESS<br>mm | P/N BOX | M.O.Q. | P/N BULK | M.O.Q. |
|------|-------------|---------------------------------|---------|---------|----------|----------|-------------|--------------------------|---------|--------|----------|--------|
| 1    | PUSH ON     | 0,25÷1                          | 0,5     | 2,8     | 10,0     | 18,5     | CuZn-Sn PVC | 0,30                     | 1850200 | 100    | 1850209  | 1000   |
|      |             | 0,25÷1                          | 0,8     | 2,8     | 10,0     | 18,5     | CuZn-Sn PVC | 0,30                     | 1850400 | 100    | 1850409  | 1000   |
|      |             | 0,25÷1                          | 0,5     | 4,7     | 10,0     | 19,0     | CuZn-Sn PVC | 0,40                     | 1850500 | 100    | 1850509  | 1000   |
|      |             | 0,25÷1                          | 0,8     | 4,7     | 10,0     | 19,0     | CuZn-Sn PVC | 0,40                     | 1850300 | 100    | 1850309  | 1000   |
| 2    | PUSH ON     | 0,25÷1                          | 0,8     | 6,3     | 12,0     | 21,0     | CuZn-Sn PVC | 0,40                     | 1851000 | 100    | 1851009  | 1000   |
|      |             | 1÷2,5                           | 0,5     | 2,8     | 10,0     | 19,0     | CuZn-Sn PVC | 0,30                     | 1854200 | 100    |          |        |
|      |             | 1÷2,5                           | 0,8     | 2,8     | 10,0     | 19,0     | CuZn-Sn PVC | 0,30                     | 1854400 | 100    | 1854409  | 1000   |
|      |             | 1÷2,5                           | 0,5     | 4,7     | 10,0     | 19,0     | CuZn-Sn PVC | 0,40                     | 1854500 | 100    |          |        |
| 3    | PUSH ON     | 1÷2,5                           | 0,8     | 6,3     | 12,0     | 21,0     | CuZn-Sn PVC | 0,40                     | 1855000 | 100    | 1855009  | 1000   |
|      |             | 2,5÷6                           | 0,8     | 6,3     | 13,0     | 22,4     | CuZn-Sn PVC | 0,40                     | 1861000 | 50     | 1861009  | 500    |
|      |             | 2,5÷6                           | 1,1     | 9,5     | 14,0     | 30,0     | CuZn-Sn PVC | 0,40                     | 1863000 | 50     | 1863009  | 500    |
| 4    | PUSH ON     | 0,25÷1                          | 0,5     | 4,7     | -        | 21,5     | CuZn-Sn PVC | 0,40                     | 1851400 | 100    | 1851409  | 1000   |
|      |             | 0,25÷1                          | 0,8     | 6,3     | -        | 23,5     | CuZn-Sn PVC | 0,40                     | 1851500 | 100    | 1851509  | 1000   |
| 5    | PUSH ON     | 1÷2,5                           | 0,5     | 4,7     | -        | 21,5     | CuZn-Sn PVC | 0,40                     | 1855400 | 100    |          |        |
|      |             | 1÷2,5                           | 0,8     | 6,3     | -        | 23,5     | CuZn-Sn PVC | 0,40                     | 1855500 | 100    | 1855509  | 1000   |
| 6    | PUSH ON     | 2,5÷6                           | 0,8     | 6,3     | -        | 24,0     | CuZn-Sn PVC | 0,40                     | 1860500 | 50     | 1860509  | 500    |



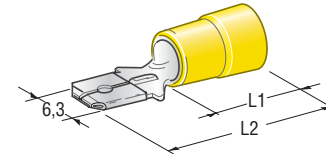
# PUSH ON



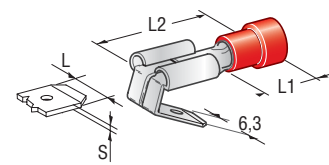
1



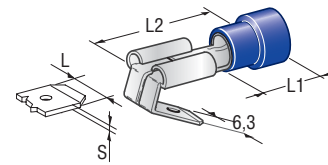
2



3



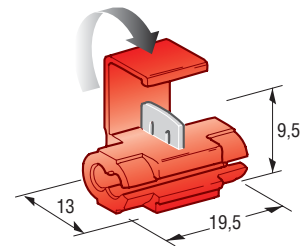
4



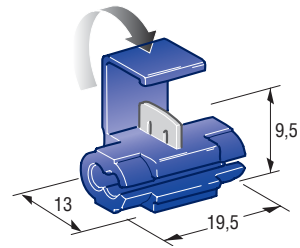
5

| IMG. | DESCRIPTION | WIRE SECTION mm <sup>2</sup> | S mm | L mm | L1 mm | L2 mm | MATERIAL    | MATERIAL THICKNESS mm | P/N BOX | M.O.Q. | P/N BULK | M.O.Q. |
|------|-------------|------------------------------|------|------|-------|-------|-------------|-----------------------|---------|--------|----------|--------|
| 1    | PUSH ON     | 0,25÷1                       | -    | 2,8  | 10    | 17,0  | CuZn-Sn PVC | 0,80                  | 1850450 | 100    | 1850459  | 1000   |
|      |             | 0,25÷1                       | -    | 6,3  | 12    | 21,0  | CuZn-Sn PVC | 0,80                  | 1852000 | 100    | 1852009  | 1000   |
| 2    | PUSH ON     | 1÷2,5                        | -    | 4,7  | 10    | 19,5  | CuZn-Sn PVC | 0,50                  | 1854550 | 100    | 1854559  | 1000   |
|      |             | 1÷2,5                        | -    | 6,3  | 12    | 21,0  | CuZn-Sn PVC | 0,80                  | 1856000 | 100    | 1856009  | 1000   |
| 3    | PUSH ON     | 2,5÷6                        | -    | 6,3  | 13    | 22,5  | CuZn-Sn PVC | 0,80                  | 1862000 | 100    | 1862009  | 500    |
| 4    | PIGGY BACK  | 0,25÷1                       | 0,8  | 6,3  | 10    | 20,8  | CuZn-Sn PVC | 0,40                  | 1852500 | 50     | 1852509  | 1000   |
| 5    | PIGGY BACK  | 1÷2,5                        | 0,8  | 6,3  | 10    | 20,8  | CuZn-Sn PVC | 0,40                  | 1862500 | 50     | 1862509  | 1000   |

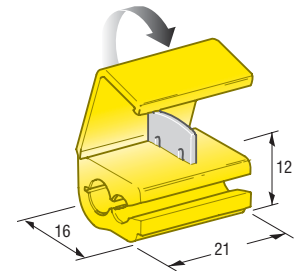
## SELF STRIPPING



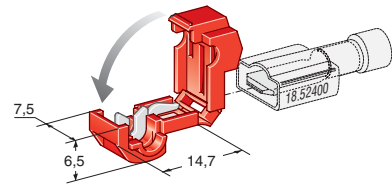
1



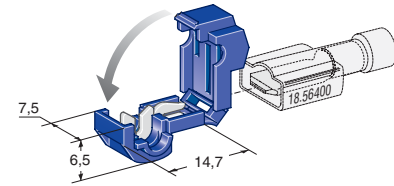
2



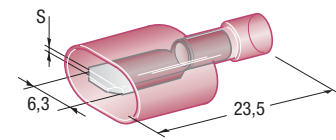
3



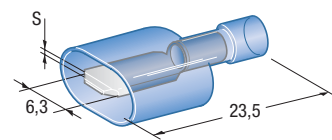
4



5



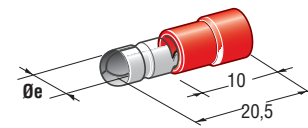
6



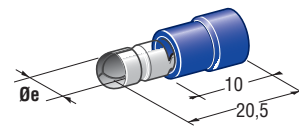
7

| IMG | DESCRIPTION    | WIRE SECTION<br>mm <sup>2</sup> | MATERIAL          | MATERIAL<br>THICKNESS<br>mm | P/N<br>BOX | M.O.Q. | P/N<br>BULK | M.O.Q. |
|-----|----------------|---------------------------------|-------------------|-----------------------------|------------|--------|-------------|--------|
| 1   | SELF-STRIPPING | 0,25÷1                          | CuZn-Sn PP        | -                           | 4410090    | 100    | 4510090     | 10000  |
| 2   | SELF-STRIPPING | 1÷2,5                           | CuZn-Sn PP        | -                           | 4410091    | 100    | 4510091     | 10000  |
| 3   | SELF-STRIPPING | 2,5÷6                           | CuZn-Sn PP        | -                           | 4410092    | 50     | 4510092     | 5000   |
| 4   | T-CONNECTIONS  | 0,25÷1                          | CuZn-Sn PA66 V094 | -                           | 4410096    | 50     | 4510096     | 1000   |
| 5   | T-CONNECTIONS  | 1÷2,5                           | CuZn-Sn PA66 V094 | -                           | 4410097    | 100    |             |        |
| 6   | M630           | 0,25÷1                          | CuZn-Sn PVC       | 0,80                        | 1852400    | 50     | 1852409     | 1000   |
| 7   | M630           | 1÷2,5                           | CuZn-Sn PVC       | 0,80                        | 1856400    | 50     | 1856409     | 1000   |

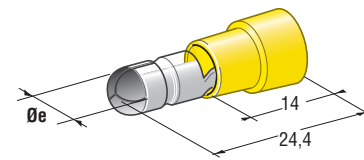
# BULLET



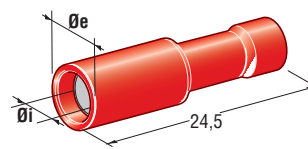
1



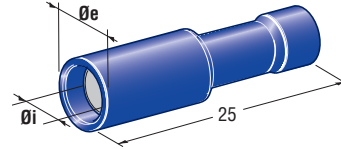
2



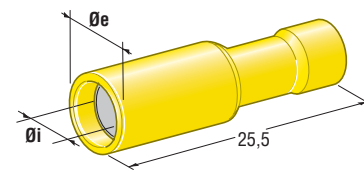
3



4



5



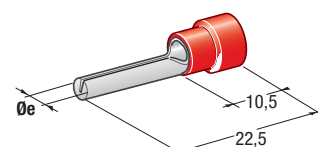
6

| IMG | DESCRIPTION   | WIRE SECTION<br>mm <sup>2</sup> | $\varnothing i$<br>mm | $\varnothing e$<br>mm | MATERIAL    | MATERIAL<br>THICKNESS<br>mm | P/N<br>BOX | M.O.Q. | P/N<br>BULK | M.O.Q. |
|-----|---------------|---------------------------------|-----------------------|-----------------------|-------------|-----------------------------|------------|--------|-------------|--------|
| 1   | MALE BULLET   | 0,25÷1                          | -                     | 4,0                   | CuZn-Sn PVC | 0,40                        | 1864000    | 100    | 1864009     | 1000   |
| 2   | MALE BULLET   | 1÷2,5                           | -                     | 4,0                   | CuZn-Sn PVC | 0,40                        | 1864300    | 100    | 1864309     | 1000   |
|     |               | 1÷2,5                           | -                     | 5,0                   | CuZn-Sn PVC | 0,40                        | 1864500    | 100    | 1864509     | 1000   |
| 3   | MALE BULLET   | 2,5÷6                           | -                     | 5,0                   | CuZn-Sn PVC | 0,40                        | 1864700    | 100    |             |        |
| 4   | FEMALE BULLET | 0,25÷1                          | 3,86                  | 6,3                   | CuZn-Sn PVC | 0,40                        | 1864100    | 100    | 1864109     | 1000   |
| 5   | FEMALE BULLET | 1÷2,5                           | 3,86                  | 6,3                   | CuZn-Sn PVC | 0,40                        | 1864400    | 100    | 1864409     | 1000   |
|     |               | 1÷2,5                           | 4,85                  | 7,0                   | CuZn-Sn PVC | 0,40                        | 1864600    | 50     | 1864609     | 1000   |
| 6   | FEMALE BULLET | 2,5÷6                           | 4,85                  | 7,0                   | CuZn-Sn PVC | 0,40                        | 1864800    | 50     |             |        |

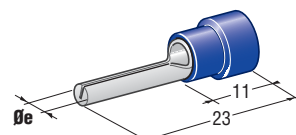




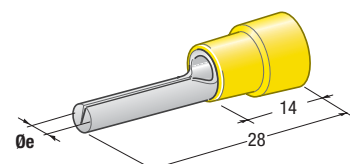
## PIN &amp; BUTT



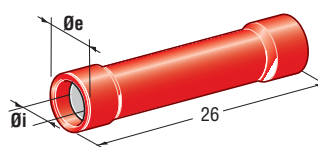
1



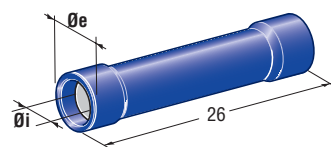
2



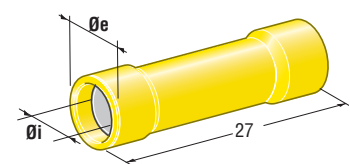
3



4



5

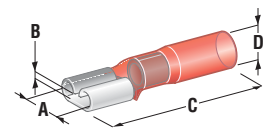


6

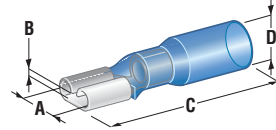
| IMG | DESCRIPTION | WIRE SECTION<br>mm <sup>2</sup> | $\varnothing i$<br>mm | $\varnothing e$<br>mm | MATERIAL     | MATERIAL<br>THICKNESS<br>mm | P/N<br>BOX | M.O.Q. | P/N<br>BULK | M.O.Q. |
|-----|-------------|---------------------------------|-----------------------|-----------------------|--------------|-----------------------------|------------|--------|-------------|--------|
| 1   | PIN         | 0,25÷1                          | -                     | 1,9                   | CuZn-Sn PA66 | 0,75                        | 1869000    | 100    | 1869009     | 1000   |
| 2   | PIN         | 1÷2,5                           | -                     | 1,9                   | CuZn-Sn PA66 | 0,80                        | 1869100    | 100    | 1869109     | 3000   |
| 3   | PIN         | 2,5÷6                           | -                     | 2,7                   | CuZn-Sn PA66 | 1                           | 1869200    | 100    |             |        |
| 4   | BUTT        | 0,25÷1                          | 1,70                  | 4,0                   | CuZn-Sn PVC  | 0,40                        | 1868000    | 100    | 1868009     | 1000   |
| 5   | BUTT        | 1÷2,5                           | 2,30                  | 4,6                   | CuZn-Sn PVC  | 0,40                        | 1868100    | 100    | 1868109     | 1000   |
| 6   | BUTT        | 2,5÷6                           | 3,40                  | 6,4                   | CuZn-Sn PVC  | 0,40                        | 1868200    | 50     | 1868209     | 500    |



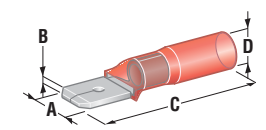
# HEAT SHRINK



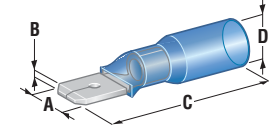
1



2



3

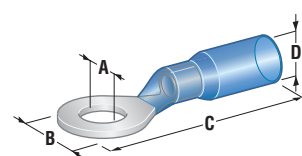


4

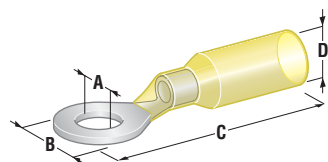
| IMG | DESCRIPTION         | WIRE SECTION mm <sup>2</sup> | A mm | B mm | C mm | D mm | MATERIAL   | MATERIAL THICKNESS mm | P/N BOX | M.O.Q. |
|-----|---------------------|------------------------------|------|------|------|------|------------|-----------------------|---------|--------|
| 1   | HEAT SHRINK WP F630 | 0,25÷1                       | 6,35 | 0,8  | 27   | 4,2  | CuZn-Sn PE | 0,40                  | 1880300 | 100    |
| 2   | HEAT SHRINK WP F630 | 1,25÷2,5                     | 6,35 | 0,8  | 28   | 4,9  | CuZn-Sn PE | 0,40                  | 1880310 | 100    |
| 3   | HEAT SHRINK WP M630 | 0,75÷1,25                    | 6,35 | 0,8  | 27   | 4,2  | CuZn-Sn PE | -                     | 1880280 | 100    |
| 4   | HEAT SHRINK WP M630 | 1,25÷2,5                     | 6,35 | 0,8  | 28   | 4,9  | CuZn-Sn PE | -                     | 1880290 | 100    |



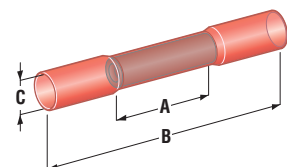
## HEAT SHRINK



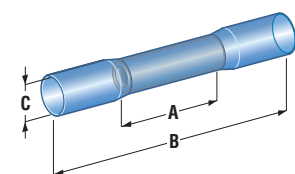
1



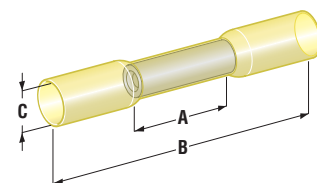
2



3



4

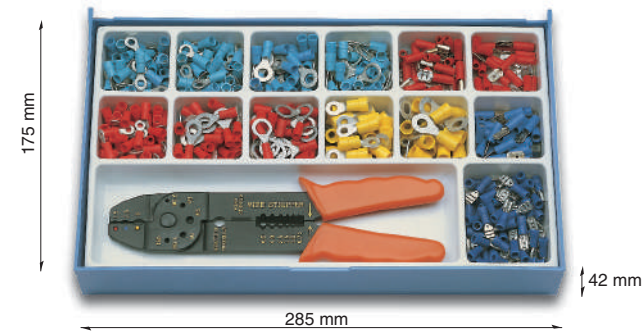


5

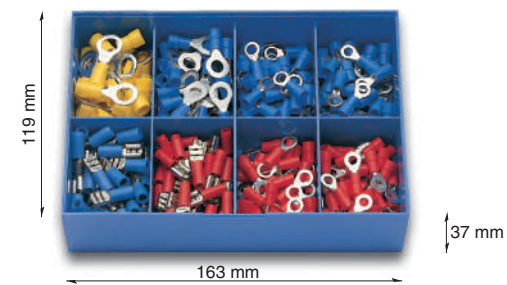
| IMG | DESCRIPTION | WIRE SECTION mm <sup>2</sup> | A mm  | B mm | C mm | D mm | MATERIAL | MATERIAL THICKNESS mm | P/N BOX | M.O.Q. |
|-----|-------------|------------------------------|-------|------|------|------|----------|-----------------------|---------|--------|
| 1   | RING        | 1,25÷2,50                    | 4,30  | 8,5  | 28   | 4,9  | Cu-Sn PE | 0,8                   | 1880060 | 100    |
|     |             | 1,25÷2,50                    | 5,30  | 9,5  | 29   | 4,9  | Cu-Sn PE | 0,8                   | 1880070 | 100    |
|     |             | 1,25÷2,50                    | 6,40  | 12,0 | 33   | 4,9  | Cu-Sn PE | 0,8                   | 1880080 | 100    |
|     |             | 1,25÷2,50                    | 8,40  | 12,0 | 34   | 4,9  | Cu-Sn PE | 0,8                   | 1880090 | 100    |
|     |             | 1,25÷2,50                    | 10,50 | 15,0 | 37   | 4,9  | Cu-Sn PE | 0,8                   | 1880100 | 100    |
| 2   | RING        | 2,5÷6                        | 5,30  | 9,5  | 34   | 6,4  | Cu-Sn PE | 1,0                   | 1880120 | 50     |
|     |             | 2,5÷6                        | 6,40  | 12,0 | 37   | 6,4  | Cu-Sn PE | 1,0                   | 1880130 | 50     |
|     |             | 2,5÷6                        | 8,40  | 15,0 | 43   | 6,4  | Cu-Sn PE | 1,0                   | 1880140 | 50     |
|     |             | 2,5÷6                        | 10,50 | 15,0 | 43   | 6,4  | Cu-Sn PE | 1,0                   | 1880150 | 50     |
|     |             | 0,75÷1,25                    | 15,00 | 37,0 | 4,2  | -    | Cu-Sn PE | 0,8                   | 1880230 | 100    |
| 4   | BUTT        | 1,25÷2,50                    | 15,00 | 37,0 | 4,9  | -    | Cu-Sn PE | 0,8                   | 1880240 | 100    |
| 5   | BUTT        | 2,5÷6                        | 15,00 | 41,0 | 6,4  | -    | Cu-Sn PE | 0,8                   | 1880250 | 50     |



# KITS



1



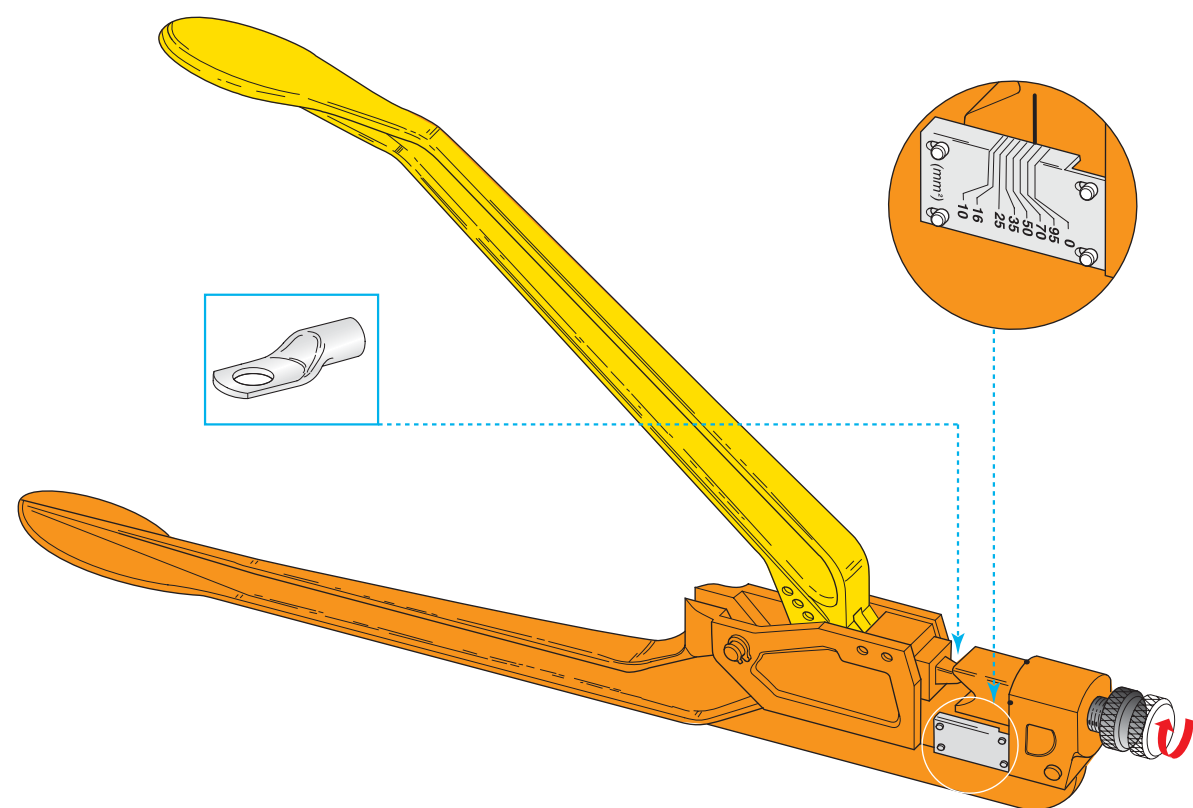
2

| IMG | DESCRIPTION           | PCS | COLOUR | P/N BOX | M.O.Q. |
|-----|-----------------------|-----|--------|---------|--------|
| 1   | RING TERMINAL ø 4,3   | 50  | Red    | 1860000 | 1      |
|     | RING TERMINAL ø 5,3   | 50  | Red    |         |        |
|     | RING TERMINAL ø 6,4   | 40  | Red    |         |        |
|     | RING TERMINAL ø 4,3   | 50  | Blue   |         |        |
|     | RING TERMINAL ø 5,3   | 40  | Blue   |         |        |
|     | RING TERMINAL ø 6,4   | 40  | Blue   |         |        |
|     | RING TERMINAL ø 8,4   | 30  | Blue   |         |        |
|     | RING TERMINAL ø 6,4   | 20  | Yellow |         |        |
|     | RING TERMINAL ø 8,4   | 20  | Yellow |         |        |
|     | MALE TERMINAL 6,3     | 40  | Red    |         |        |
|     | MALE TERMINAL 6,3     | 40  | Blue   |         |        |
|     | FEMALE TERMINAL 6,3   | 40  | Red    |         |        |
|     | FEMALE TERMINAL 6,3   | 70  | Blue   |         |        |
|     | CRIMPING TOOL 9602460 | 1   |        |         |        |
| 2   | RING TERMINAL ø 4,3   | 40  | Red    | 1606855 | 1      |
|     | RING TERMINAL ø 5,3   | 40  | Red    |         |        |
|     | RING TERMINAL ø 4,3   | 40  | Blue   |         |        |
|     | RING TERMINAL ø 5,3   | 40  | Blue   |         |        |
|     | RING TERMINAL ø 6,4   | 40  | Blue   |         |        |
|     | RING TERMINAL ø 8,4   | 25  | Yellow |         |        |
|     | FEMALE TERMINAL 6,3   | 40  | Red    |         |        |
|     | FEMALE TERMINAL 6,3   | 40  | Blue   |         |        |

# CRIMPING TOOLS



# TUBULAR TERMINALS

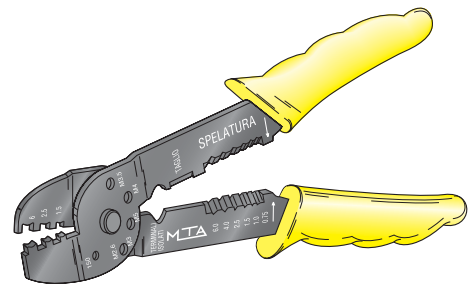


1

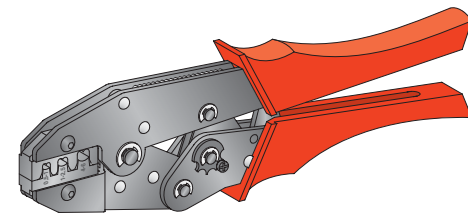
| IMG | DESCRIPTION                | WIRE SECTION<br>mm <sup>2</sup> | LENGTH<br>mm | WEIGHT<br>g | P/N<br>BOX | M.O.Q. |
|-----|----------------------------|---------------------------------|--------------|-------------|------------|--------|
| 1   | TOOL FOR TUBULAR TERMINALS | 10÷95                           | 565÷585      | 2916        | 9602490    | 1      |



# TERMINALS



1

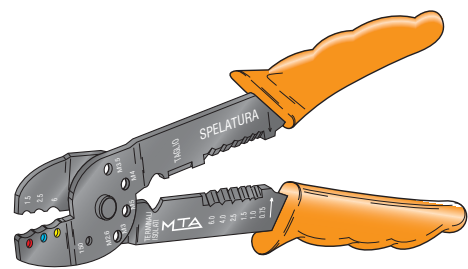


2

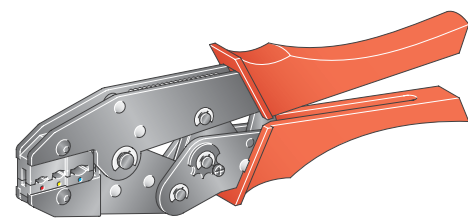
| IMG | DESCRIPTION                       | WIRE SECTION<br>mm2 | P/N<br>BOX | M.O.Q. |
|-----|-----------------------------------|---------------------|------------|--------|
| 1   | CRIMPING TOOL                     | 1,5÷6               | 9602450    | 1      |
| 2   | CRIMPING TOOL - PROFESSIONAL TYPE | 0,5÷6               | 9602455    | 1      |



# INSULATED TERMINALS



1



2

| IMG | DESCRIPTION                       | WIRE SECTION<br>mm2 | P/N<br>BOX | M.O.Q. |
|-----|-----------------------------------|---------------------|------------|--------|
| 1   | CRIMPING TOOL                     | 0,25÷6              | 9602460    | 1      |
| 2   | CRIMPING TOOL - PROFESSIONAL TYPE | 0,25÷6              | 9602500    | 1      |





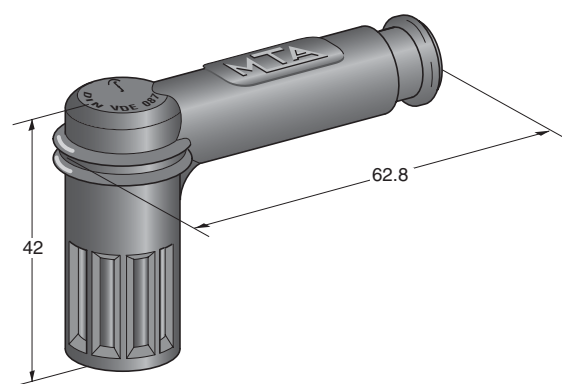


**CAPS**



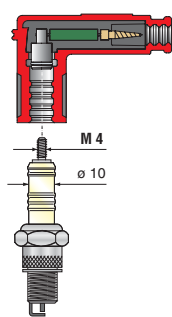


# SPARK PLUGS

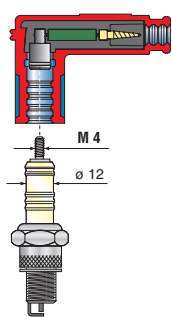


1

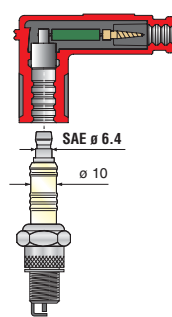
| IMG | DESCRIPTION | SPARK PLUG | RESISTANCE $\Omega$ | MATERIAL | COLOUR | P/N BOX | M.O.Q. | P/N BULK | M.O.Q. |
|-----|-------------|------------|---------------------|----------|--------|---------|--------|----------|--------|
| 1   | SPARK PLUG  | A          | 5000                | EPDM     | Black  | 1000900 | 5      | 1900900  | 500    |
|     | SPARK PLUG  | B          | 5000                | EPDM     | Blue   | 1000910 | 5      | 1900910  | 500    |
|     | SPARK PLUG  | C          | 5000                | EPDM     | Black  |         |        | 1900920  | 500    |
|     | SPARK PLUG  | D          | 5000                | EPDM     | Black  | 1000930 | 5      | 1900930  | 500    |
|     | SPARK PLUG  | D          | 5000                | EPDM     | Red    |         |        | 1900940  | 500    |



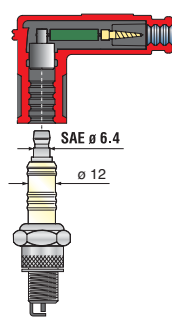
A



B



C



D

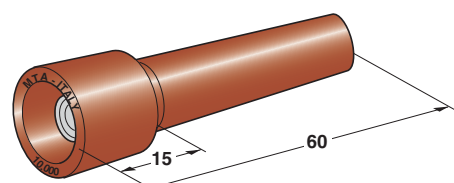




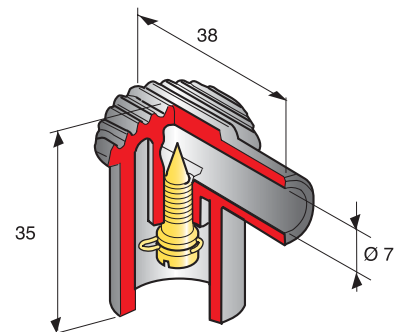
CAPS



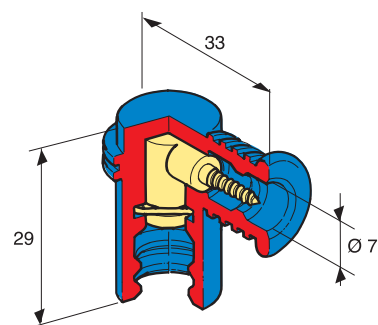
# SPARK PLUGS



1

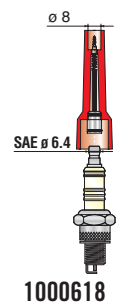


2



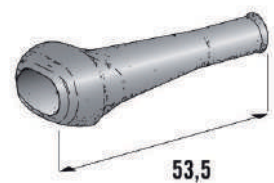
3

| IMG | DESCRIPTION                         | MATERIAL  | RESISTANCE $\Omega$ | CABLE mm | P/N BOX | M.O.Q. |
|-----|-------------------------------------|-----------|---------------------|----------|---------|--------|
| 1   | SUPPRESSOR WITH WIRE WOUND RESISTOR | PBT GF20  | 5000                | -        | 1000618 | 50     |
| 2   | SPARK PLUG WITH CARBON RESISTOR     | PVC CuZn  | -                   | 7        | 1200580 | 50     |
| 3   | SPARK PLUG WITH CARBON RESISTOR     | EPDM CuZn | -                   | 7        | 1200590 | 50     |
|     | SPARK PLUG WITH WIRE WOUND RESISTOR | EPDM CuZn | -                   | 7        | 1900590 | 1000   |

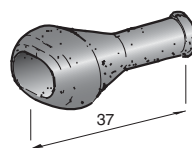




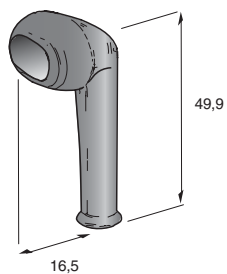
# CAPS



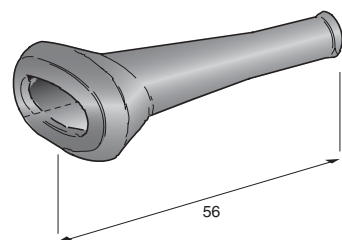
1



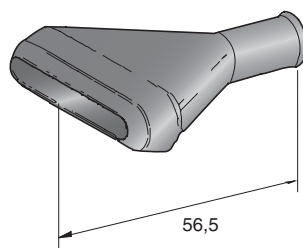
2



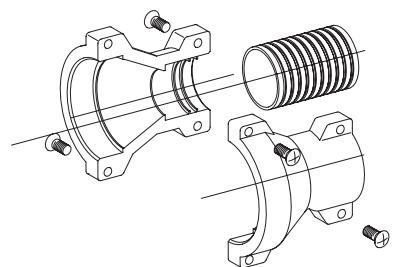
3



4



5



6

| IMG | DESCRIPTION            | WAY | ∅<br>mm | MATERIAL | COLOUR  | P/N<br>BOX | M.O.Q. | P/N<br>BULK | M.O.Q. |
|-----|------------------------|-----|---------|----------|---------|------------|--------|-------------|--------|
| 1   | CAP FOR CONNECTOR JT   | 2   |         | Rubber   | ■ Black | 4420901    | 10     | 4520901     | 500    |
| 2   | CAP FOR CONNECTOR JT   | 2   |         | Rubber   | ■ Black | 4420902    | 10     | 4520902     | 500    |
| 3   | CAP FOR CONNECTOR JPT  | 2   |         | Rubber   | ■ Black | 4420911    | 10     | 4520911     | 500    |
| 4   | CAP FOR CONNECTOR JPT  | 3   |         | Rubber   | ■ Black | 4420921    | 10     | 4520921     | 500    |
| 5   | CAP FOR CONNECTOR JT   | 7   |         | Rubber   | ■ Black | 4420931    | 5      | 4520931     | 500    |
| 6   | ADAPTOR FOR CONNECTORS |     | 44,6    | PA66     | ■ Black |            |        | 4551575     | 500    |

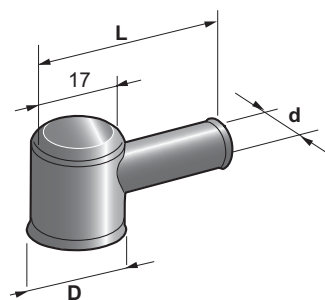




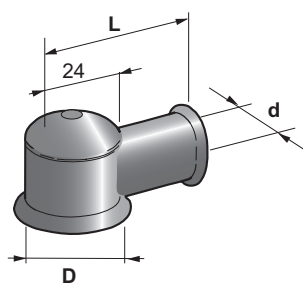
CAPS



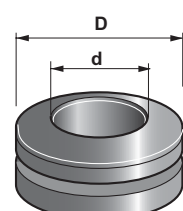
# CAPS



1



2



3

| IMG | DESCRIPTION    | L  | d   | D    | MATERIAL | COLOUR  | P/N BOX | M.O.Q. | P/N BULK | M.O.Q. |
|-----|----------------|----|-----|------|----------|---------|---------|--------|----------|--------|
| 1   | CAP            | 37 | 6   | 11   | PVC      | ■ Black |         |        | 4410300  | 100    |
|     | CAP            | 41 | 7,5 | 15   | PVC      | ■ Black |         |        | 4410310  | 100    |
|     | CAP            | 61 | 9   | 16   | PVC      | ■ Black |         |        | 4410320  | 100    |
| 2   | ALTERNATOR CAP | 48 | 11  | 21   | CR60     | ■ Black | 4410400 | 10     | 4510400  | 500    |
| 3   | FAIRLEAD       |    | 9   | 16,5 | PVC      | ■ Black |         |        | 4410360  | 250    |



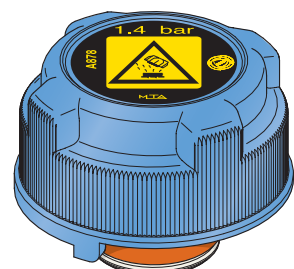


# RADIATOR/OIL/GASOLINE CAPS





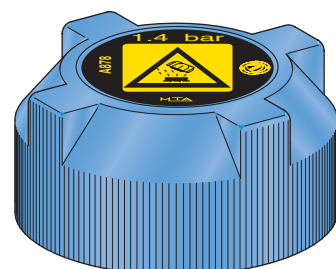
## RADIATOR



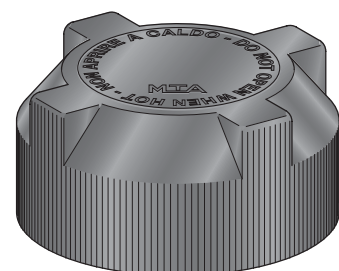
1



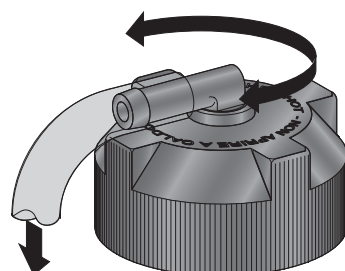
2



3



4

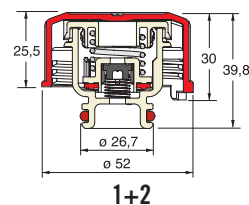


5

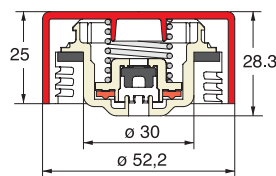


6

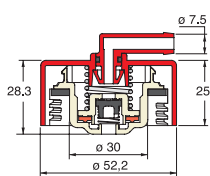
| IMG | DESCRIPTION  | PRESSURE BAR | DEPRESSION BAR | MATERIAL | COLOUR | P/N BOX | M.O.Q. | P/N BULK | M.O.Q. |
|-----|--------------|--------------|----------------|----------|--------|---------|--------|----------|--------|
| 1   | RADIATOR CAP | 1            | 0,04 - 0,10    | PP GF30  | Blue   |         |        | 5056005  | 500    |
|     | RADIATOR CAP | 1,4          | 0,04 - 0,10    | PP GF30  | Blue   | 5014877 | 1      | 5056000  | 500    |
| 2   | RADIATOR CAP | 1,4          | 0,04 - 0,10    | PP GF30  | Green  |         |        | 5056008  | 300    |
| 3   | RADIATOR CAP | 1            | 0,04 - 0,10    | PP GF30  | Black  | 5014862 | 1      | 5050123  | 200    |
|     | RADIATOR CAP | 1,4          | 0,04 - 0,10    | PP GF30  | Blue   | 5014873 | 1      | 5050103  | 200    |
| 4   | RADIATOR CAP | 1            | 0,04 - 0,10    | PP GF30  | Black  | 5014861 | 1      | 5114861  | 200    |
|     | RADIATOR CAP | 1,2          | 0,04 - 0,10    | PP GF30  | Black  |         |        | 5050124  | 200    |
| 5   | RADIATOR CAP | 0,5          | 0,04 - 0,10    | PP GF30  | Black  | 5014900 | 1      | 5050090  | 200    |
|     | RADIATOR CAP | 1            | 0,04 - 0,10    | PP GF30  | Black  | 5014901 | 1      | 5114901  | 200    |
|     | RADIATOR CAP | 1,4          | 0,04 - 0,10    | PP GF30  | Blue   |         |        | 5050108  | 200    |
| 6   | RADIATOR CAP | 0,9          | 0,04 - 0,10    | PP GF30  | Black  |         |        | 5050097  | 270    |
|     | RADIATOR CAP | 1,1          | 0,04 - 0,10    | PP GF30  | Black  |         |        | 5050121  | 270    |



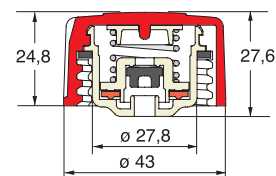
1+2



3+4

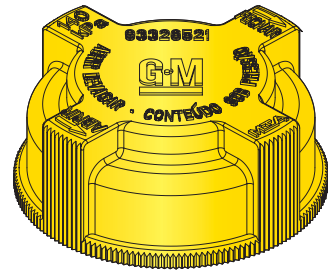


5

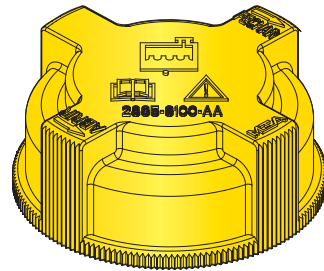


6

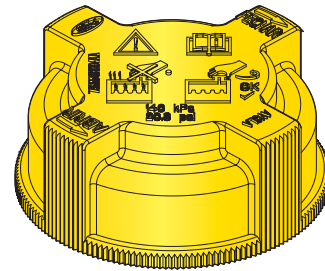
# RADIATOR



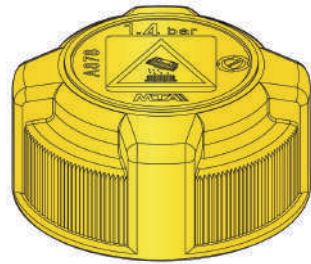
1



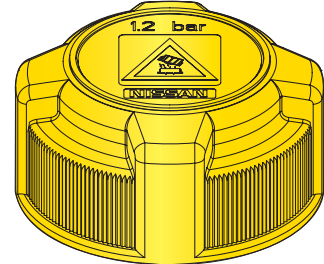
2



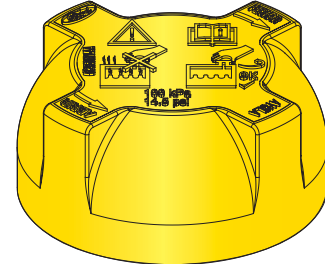
3



4



5



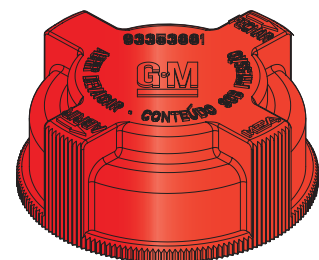
6

| IMG | DESCRIPTION             | PRESSION BAR | DEPRESSION BAR | MATERIAL | COLOUR | P/N     | M.O.Q. |
|-----|-------------------------|--------------|----------------|----------|--------|---------|--------|
| 1   | RADIATOR CAP GM         | 1,4          | 0,15 Max       | PP GF30  | Yellow | 5050140 | 500    |
| 2   | RADIATOR CAP (FORD)     | 1,4          | 0,04 - 0,10    | PP GF30  | Yellow | 5050143 | 500    |
|     | RADIATOR CAP (FORD)     | 1,4          | 0,04 - 0,10    | PP GF30  | Black  | 5050156 | 200    |
| 3   | RADIATOR CAP FORD       | 1,4          | 0,04 - 0,10    | PP GF30  | Yellow | 5050147 | 500    |
|     | RADIATOR CAP FORD       | 1,4          | 0,04 - 0,10    | PP GF30  | Black  | 5050155 | 200    |
| 4   | RADIATOR CAP FIAT       | 1,0          | 0,04 - 0,10    | PP GF30  | Yellow | 5050126 | 500    |
|     | RADIATOR CAP FIAT       | 1,4          | 0,04 - 0,10    | PP GF30  | Yellow | 5050127 | 500    |
| 5   | RADIATOR CAP NISSAN     | 1,2          | 0,04 - 0,10    | PP GF30  | Yellow | 5050227 | 500    |
| 6   | RADIATOR CAP FORD TRUCK | 1,0          | 0,15 Max       | PP GF30  | Yellow | 5050136 | 500    |

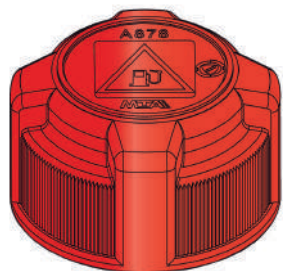




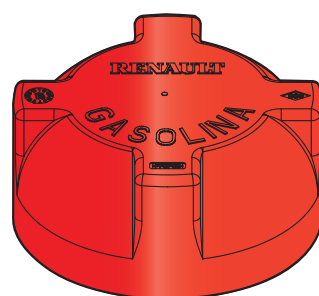
# GASOLINE



1



2



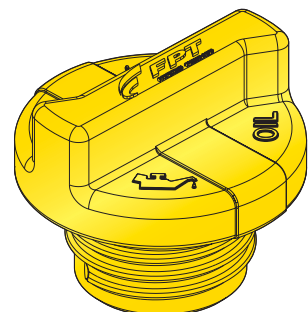
3

| IMG | DESCRIPTION          | PRESSION BAR | DEPRESSION BAR | MATERIAL | COLOUR | P/N     | M.O.Q. |
|-----|----------------------|--------------|----------------|----------|--------|---------|--------|
| 1   | GASOLINE CAP GM      | 0,35         | 0,08 Max       | PP GF30  | Red    | 5050128 | 500    |
| 2   | GASOLINE CAP FIAT    | 0,6          | 0,04 - 0,10    | PP GF30  | Red    | 5051108 | 500    |
| 3   | GASOLINE CAP RENAULT | 0,6          | 0,04 - 0,10    | PP GF30  | Red    | 5151137 | 500    |

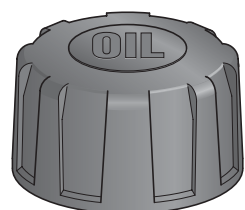




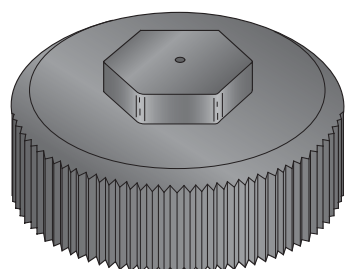
# OIL



1



2



3

| IMG | DESCRIPTION                | MATERIAL | COLOUR | P/N     | M.O.Q. |
|-----|----------------------------|----------|--------|---------|--------|
| 1   | OIL CAP FIAT/FORD          | PP GF30  | Yellow | 5050133 | 500    |
| 2   | VENTED OIL CAP PIAGGIO     | PP GF30  |        | 5050106 | 270    |
| 3   | DIESEL OIL TANK FOR TRUCKS | PP       | Black  | 5515870 | 5      |



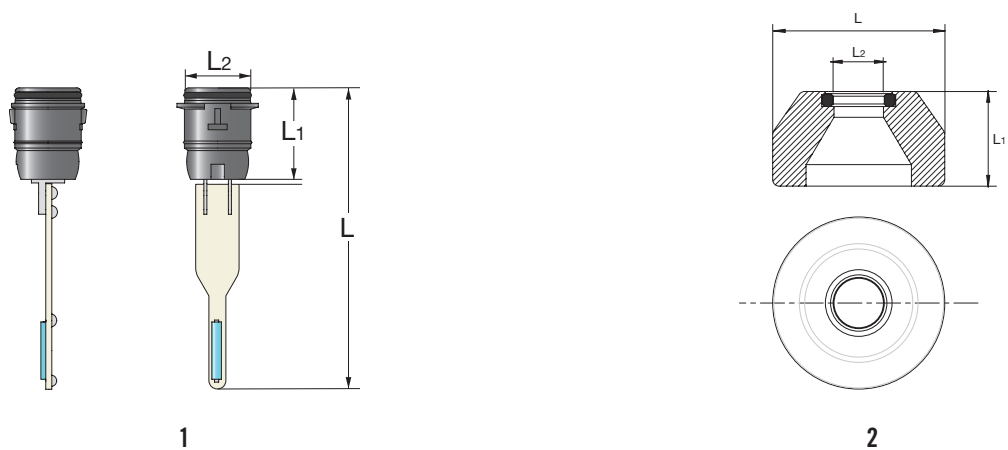


# SENSORS

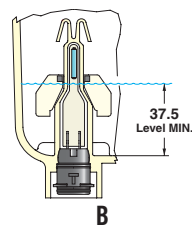
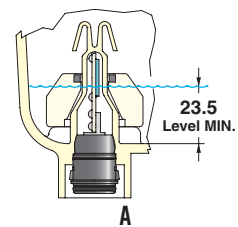




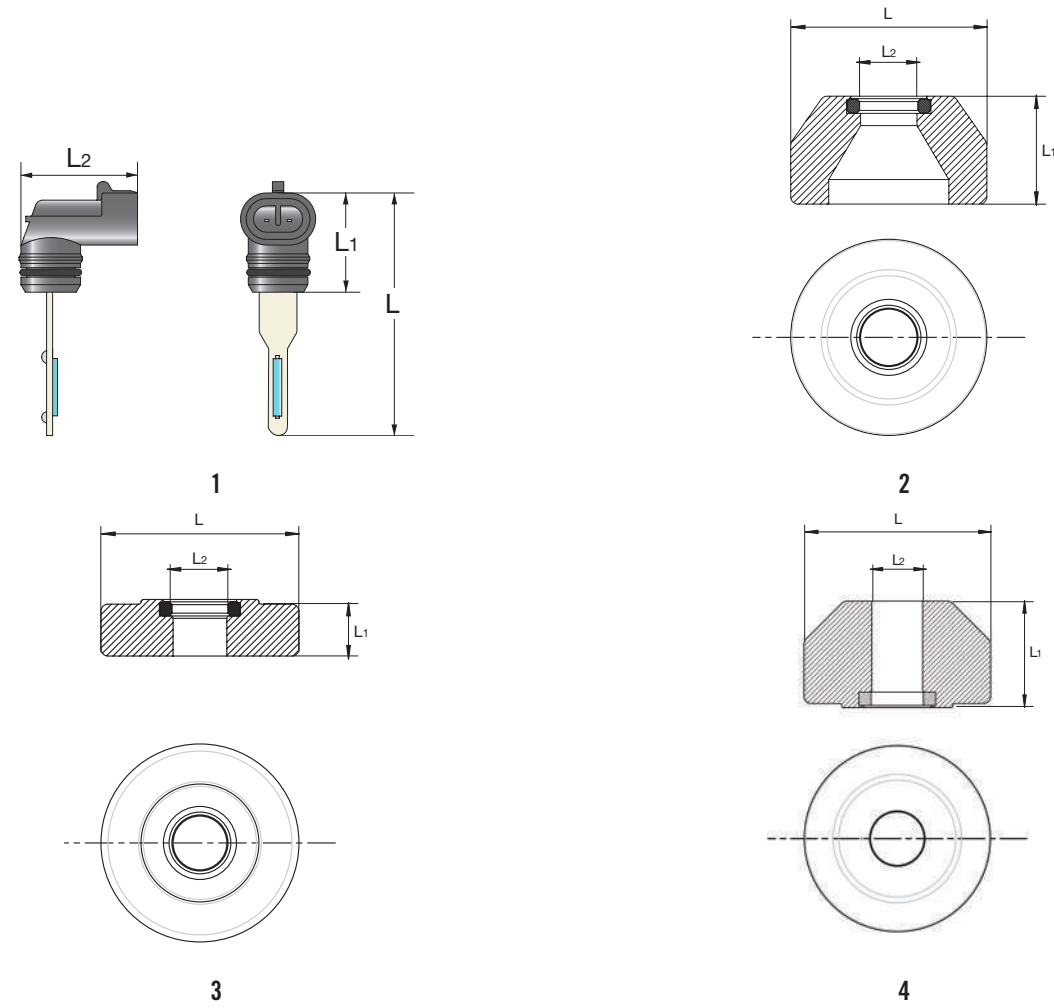
# LEVEL SENSORS



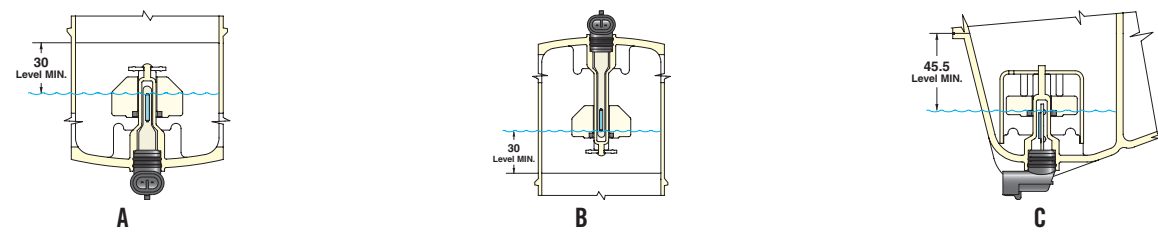
| IMG | DESCRIPTION  | TYPE | L<br>mm | L1<br>mm | L2<br>mm | MATERIAL | P/N     | M.O.Q. |
|-----|--------------|------|---------|----------|----------|----------|---------|--------|
| 1   | LEVEL SENSOR | A    | 58,15   | 24,25    | 17,35    | PA66     | 7050090 | 600    |
|     | LEVEL SENSOR | B    | 79,65   | 24,25    | 17,35    | PA66     | 7050091 | 400    |
| 2   | FLOAT        | A-B  | 40      | 22       | 11,5     | PP       | 7057091 | 1000   |



# LEVEL SENSORS

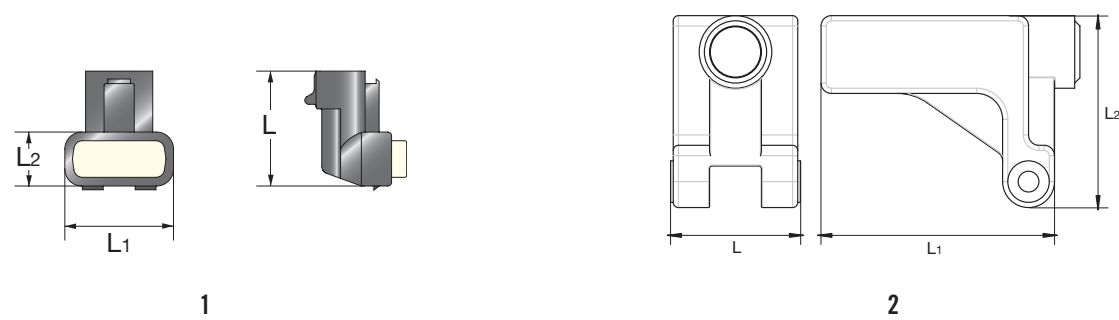


| IMG | DESCRIPTION  | TYPE | L mm | L1 mm | L2 mm | MATERIAL      | P/N     | M.O.Q. |
|-----|--------------|------|------|-------|-------|---------------|---------|--------|
| 1   | LEVEL SENSOR | A    | 64,4 | 26,4  | 30,9  | PA66          | 7050088 | 600    |
|     | LEVEL SENSOR | B    | 84,4 | 26,4  | 30,9  | PA66          | 7050096 | 400    |
|     | LEVEL SENSOR | C    | 53,7 | 26,4  | 30,9  | PA66          | 7050092 | 600    |
|     | LEVEL SENSOR | A    | 64,4 | 26,4  | 30,9  | PA66          | 7050100 | 600    |
|     | LEVEL SENSOR | A    | 64,4 | 26,4  | 30,9  | PA66          | 7050101 | 600    |
| 2   | FLOAT        |      | 40   | 22    | 11,5  | PP White      | 7057091 | 1000   |
| 3   | FLOAT        | A    | 42   | 11    | 11,4  | PA Light Blue | 7057093 | 1000   |
|     | FLOAT        | C    | 42   | 11    | 11,4  | PP White      | 7057092 | 700    |
| 4   | FLOAT        | A-B  | 42   | 24    | 11,4  | PP White      | 7057088 | 1000   |

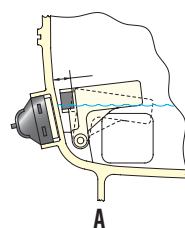




# LEVEL SENSORS



| IMG | DESCRIPTION  | TYPE | L mm  | L1 mm | L2 mm | MATERIAL | P/N     | M.O.Q. |
|-----|--------------|------|-------|-------|-------|----------|---------|--------|
| 1   | LEVEL SENSOR | A    | 30,45 | 28,8  | 14,3  | PA66     | 7050081 | 620    |
| 2   | FLOAT        | A    | 25    | 45    | 25    | PP       | 7057081 | 1000   |



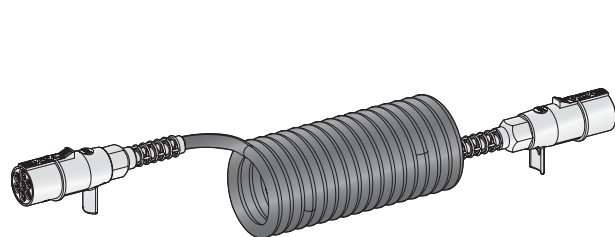


# CABLES





# SPIRAL CABLE WITH CONNECTORS



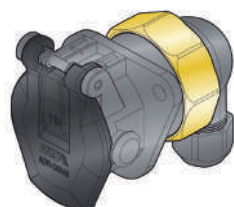
1



2



3



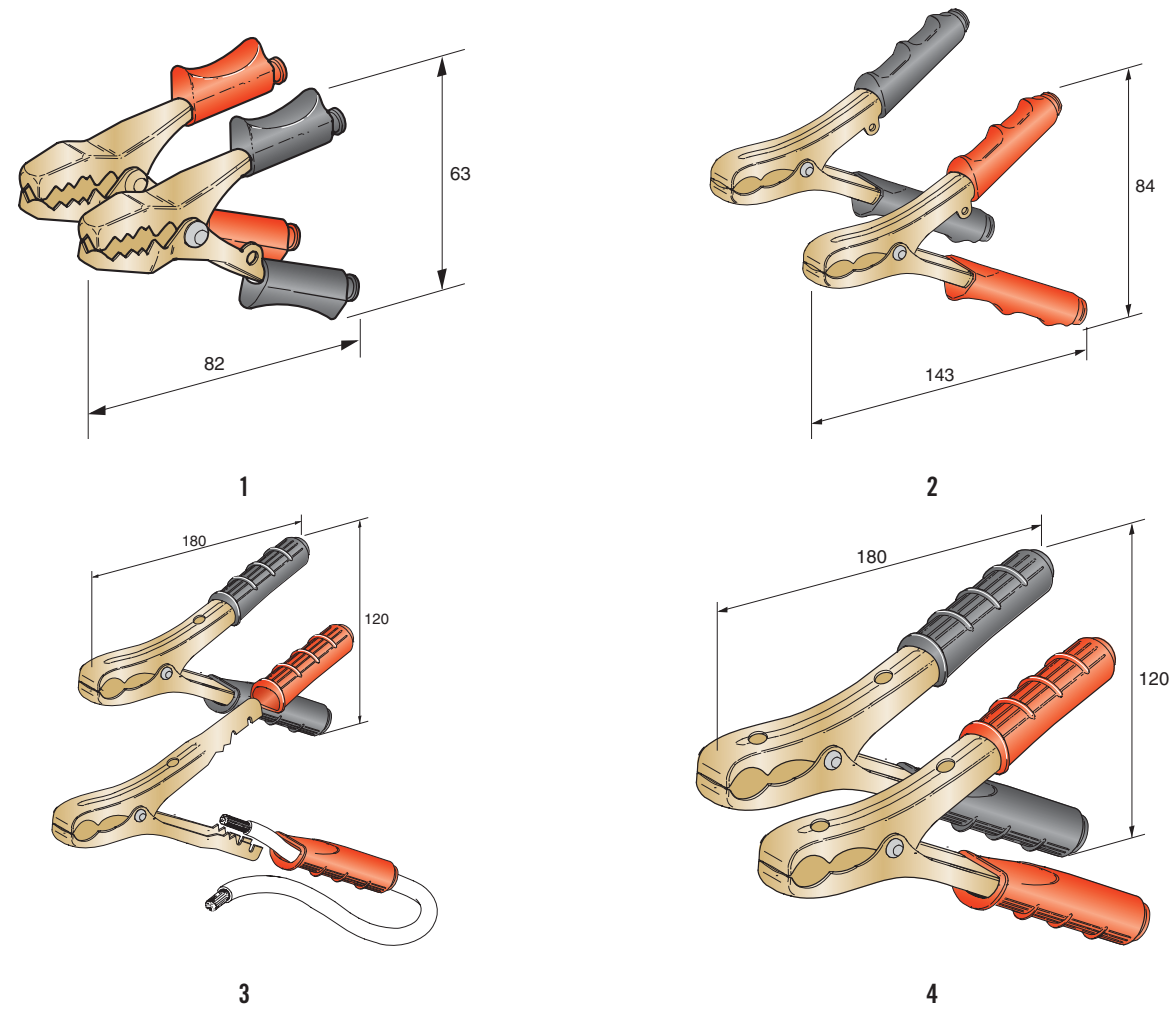
4

| IMG | DESCRIPTION             | PIN N. | SPIRAL COLOUR | MAX LENGTH mm | P/N BOX | M.O.Q. |
|-----|-------------------------|--------|---------------|---------------|---------|--------|
| 1   | SPIRAL CABLE VOLKSWAGEN | 7      | Black         | 4200          | 9815530 | 10     |
| 2   | SPIRAL CABLE FORD       | 15-7   | Red           | 5500          | 9815550 | 10     |
|     | SPIRAL CABLE VOLKSWAGEN | 15-7   | Black         | 5500          | 9815561 | TBD    |
|     | SPIRAL CABLE VOLVO      | 15-7   | Black         | 5500          | 9815560 | TBD    |
| 3   | SPIRAL CABLE            | 7      | Black         | 4500          | 9815562 | TBD    |
| 4   | SOCKET FOR SPIRAL CABLE | 15     | -             | -             | 2550087 | 50     |



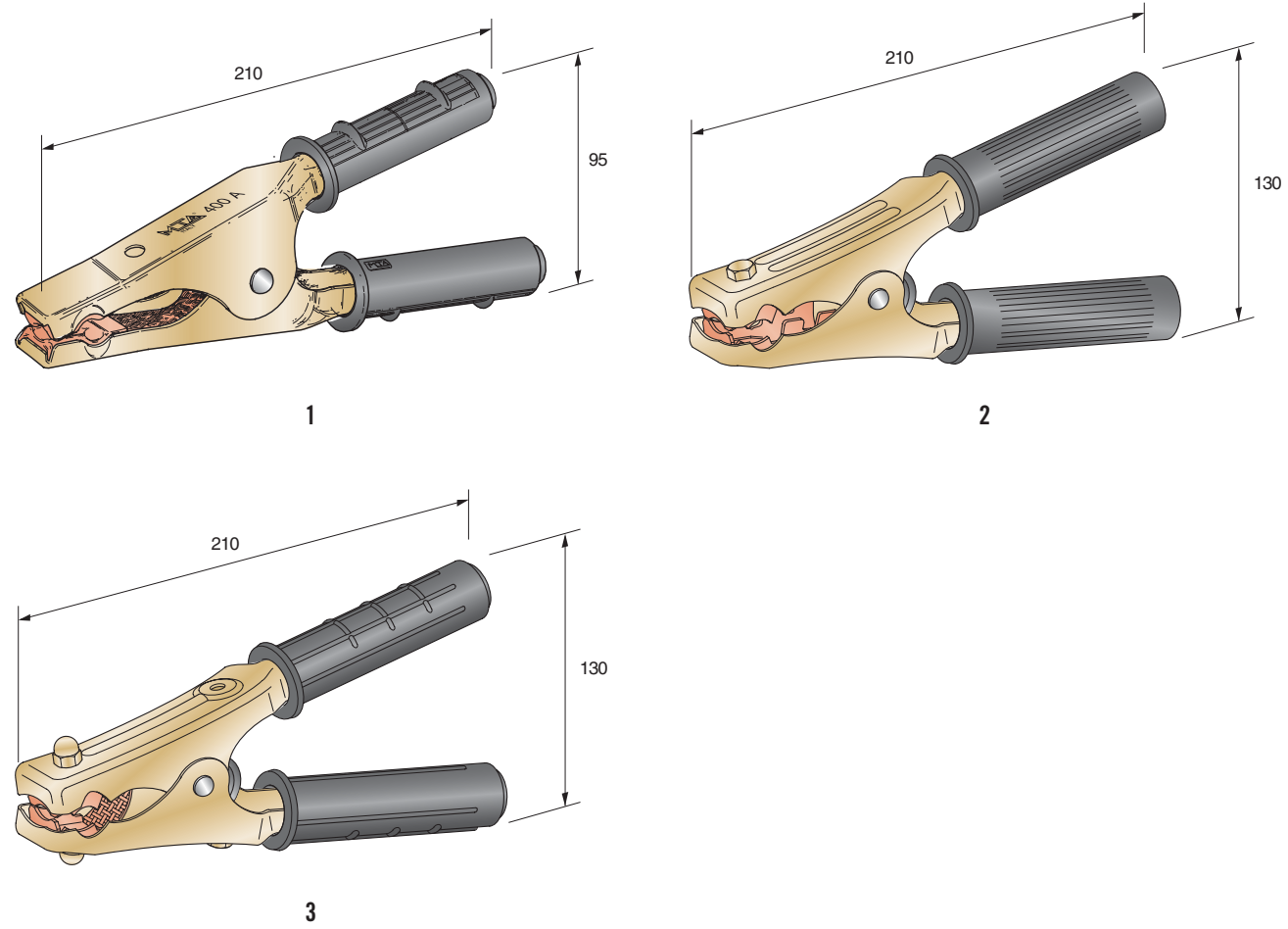


## CHARGING CLIPS

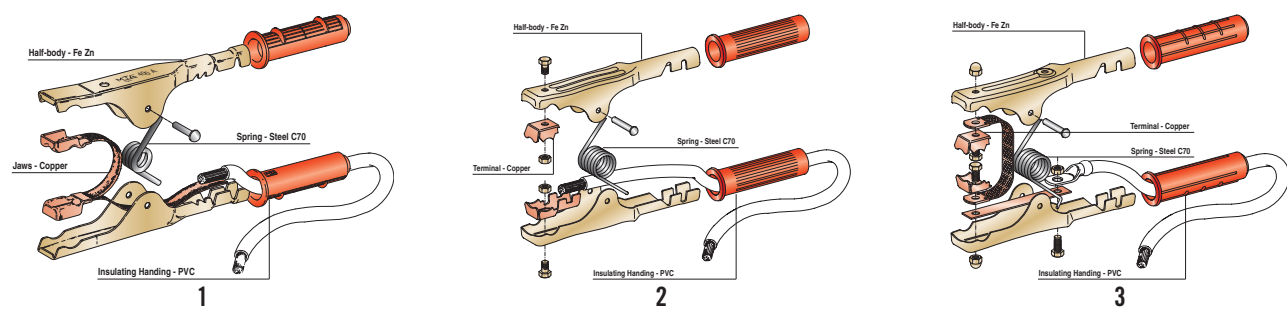


| IMG | DESCRIPTION   | AMP   | COLOUR      | WIRE SECTION mm2 | P/N BOX | M.O.Q. | P/N BULK | M.O.Q. |
|-----|---------------|-------|-------------|------------------|---------|--------|----------|--------|
| 1   | CHARGING CLIP | 40 A  | ■ Red+Black | 6÷10             | 4814220 | 20     |          |        |
|     | CHARGING CLIP | 40 A  | ■ Red       | 6÷10             | 4814221 | 20     | 4914221  | 300    |
|     | CHARGING CLIP | 40 A  | ■ Black     | 6÷10             | 4814222 | 20     | 4914222  | 300    |
| 2   | CHARGING CLIP | 100 A | ■ Red+Black | 10÷25            | 4814252 | 4      |          |        |
|     | CHARGING CLIP | 100 A | ■ Red       | 10÷25            | 4814256 | 4      | 4914256  | 200    |
|     | CHARGING CLIP | 100 A | ■ Black     | 10÷25            | 4814257 | 4      | 4914257  | 200    |
| 3   | CHARGING CLIP | 120 A | ■ Red+Black | 10÷35            | 4814251 | 4      |          |        |
|     | CHARGING CLIP | 120 A | ■ Red       | 10÷35            | 4814258 | 4      | 4914258  | 100    |
|     | CHARGING CLIP | 120 A | ■ Black     | 10÷35            | 4814259 | 4      | 4914259  | 100    |
| 4   | CHARGING CLIP | 200 A | ■ Red+Black | 10÷35            | 4814255 | 4      |          |        |
|     | CHARGING CLIP | 200 A | ■ Red       | 10÷35            | 4814262 | 4      | 4914262  | 100    |
|     | CHARGING CLIP | 200 A | ■ Black     | 10÷35            | 4814264 | 4      | 4914264  | 100    |

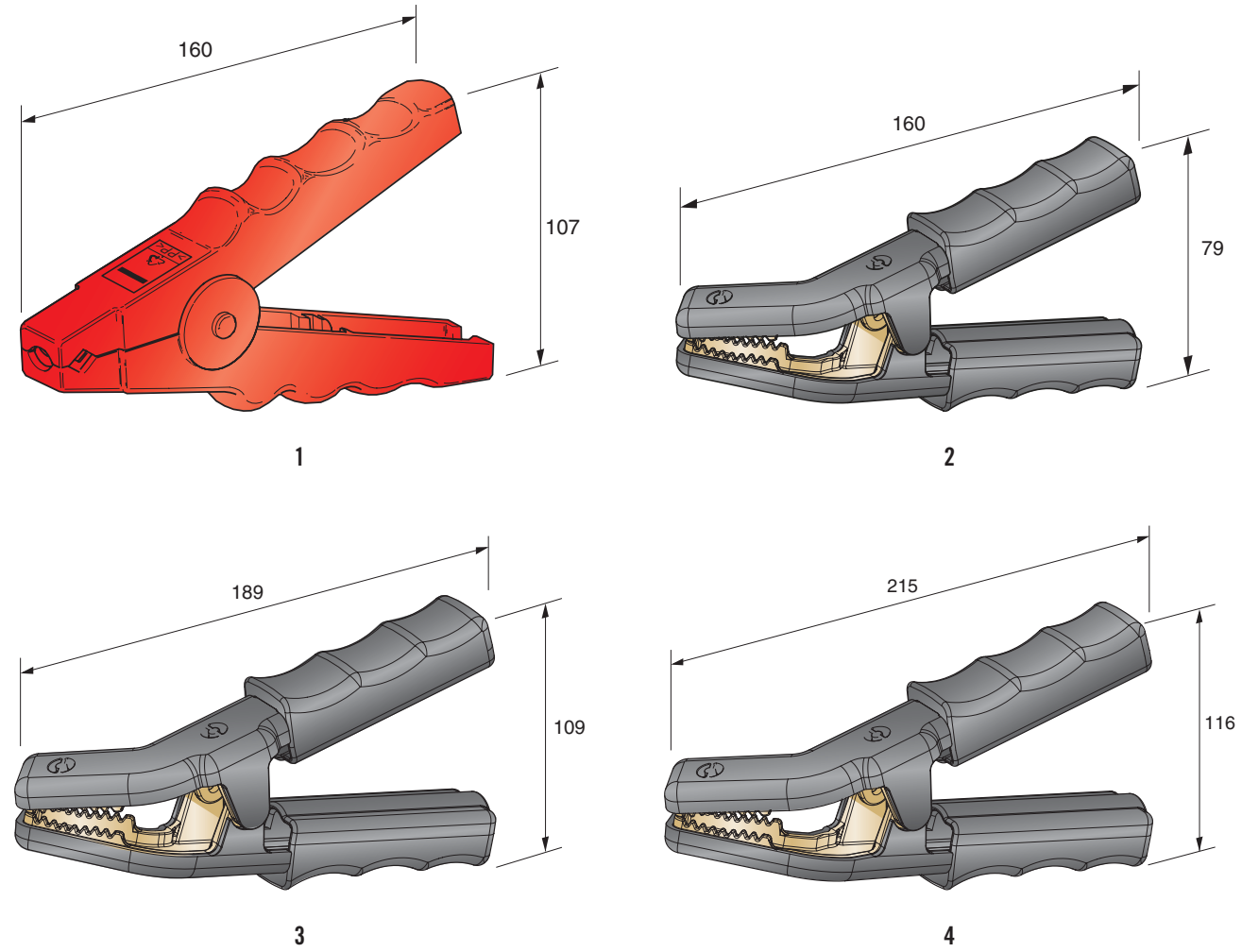
# CHARGING CLIPS



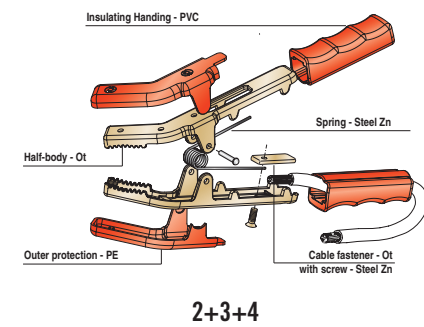
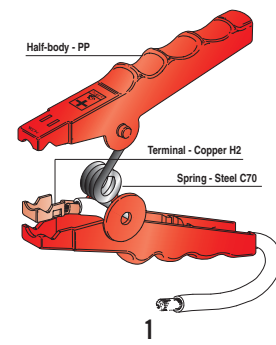
| IMG | DESCRIPTION    | AMP   | COLOUR      | WIRE SECTION mm2 | P/N BOX | M.O.Q. | P/N BULK | M.O.Q. |
|-----|----------------|-------|-------------|------------------|---------|--------|----------|--------|
| 1   | CHARGING CLIPS | 400 A | ■ Red+Black | 10÷30            | 4814250 | 4      |          |        |
|     | CHARGING CLIPS | 400 A | ■ Red       | 10÷30            | 4814267 | 4      | 4914267  | 50     |
|     | CHARGING CLIPS | 400 A | ■ Black     | 10÷30            | 4814268 | 4      | 4914268  | 50     |
| 2   | CHARGING CLIPS | 500 A | ■ Red+Black | 35÷50            | 4814311 | 4      |          |        |
|     | CHARGING CLIPS | 500 A | ■ Red       | 35÷50            | 4914312 | 25     |          |        |
|     | CHARGING CLIPS | 500 A | ■ Black     | 35÷50            | 4914313 | 25     |          |        |
| 3   | CHARGING CLIPS | 600 A | ■ Red+Black | 50               | 4814321 | 4      |          |        |
|     | CHARGING CLIPS | 600 A | ■ Red       | 50               | 4914322 | 25     |          |        |
|     | CHARGING CLIPS | 600 A | ■ Black     | 50               | 4914323 | 25     |          |        |



# CHARGING CLIPS



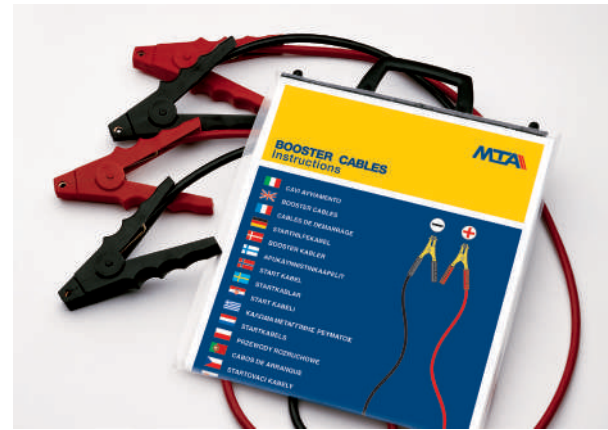
| IMG | DESCRIPTION    | AMP    | COLOUR      | WIRE SECTION mm2 | P/N BOX | M.O.Q. | P/N BULK | M.O.Q. |
|-----|----------------|--------|-------------|------------------|---------|--------|----------|--------|
| 1   | CHARGING CLIPS | 300 A  | ■ Red+Black | 10÷25            | 4814254 | 4      |          |        |
|     | CHARGING CLIPS | 300 A  | ■ Red       | 10÷25            |         |        | 4914265  | 150    |
|     | CHARGING CLIPS | 300 A  | ■ Black     | 10÷25            |         |        | 4914266  | 150    |
| 2   | CHARGING CLIPS | 650 A  | ■ Red+Black | 10÷35            | 4814330 | 4      |          |        |
|     | CHARGING CLIPS | 850 A  | ■ Red+Black | 25÷70            | 4814331 | 4      |          |        |
| 3   | CHARGING CLIPS | 850 A  | ■ Red       | 25÷70            | 4914327 | 17     |          |        |
|     | CHARGING CLIPS | 850 A  | ■ Black     | 25÷70            | 4914326 | 17     |          |        |
|     | CHARGING CLIPS | 1000 A | ■ Red+Black | 35÷70            | 4814332 | 4      |          |        |



# BOOSTER CABLES



1



2



3



4

| IMG | DESCRIPTION    | MATERIAL | AMP   | L<br>mm | WIRE<br>SECTION<br>mm2 | P/N<br>BOX | M.O.Q. |
|-----|----------------|----------|-------|---------|------------------------|------------|--------|
| 1   | BOOSTER CABLES | HI-FLEX  | 120 A | 2500    | 10                     | 4814261    | 1      |
|     |                | HI-FLEX  | 120 A | 2500    | 16                     | 4814271    | 1      |
|     |                | HI-FLEX  | 120 A | 3500    | 16                     | 4814272    | 1      |
|     |                | HI-FLEX  | 120 A | 2500    | 25                     | 4814281    | 1      |
|     |                | HI-FLEX  | 120 A | 3500    | 25                     | 4814282    | 1      |
| 2   | BOOSTER CABLES | HI-FLEX  | 300 A | 3000    | 16                     | 4814341    | 1      |
|     |                | HI-FLEX  | 300 A | 2500    | 25                     | 4814350    | 1      |
|     |                | HI-FLEX  | 300 A | 3500    | 25                     | 4814351    | 1      |
| 3   | BOOSTER CABLES | HI-FLEX  | 400 A | 3500    | 25                     | 4814290    | 1      |
|     |                | HI-FLEX  | 400 A | 5000    | 25                     | 4814291    | 1      |
| 4   | BOOSTER CABLES | HI-FLEX  | 500 A | 5000    | 35                     | 4814295    | 1      |
|     |                | HI-FLEX  | 500 A | 3500    | 50                     | 4814373    | 1      |
|     |                | HI-FLEX  | 500 A | 5000    | 50                     | 4814375    | 1      |
|     |                | HI-FLEX  | 600 A | 5000    | 50                     | 4814361    | 1      |

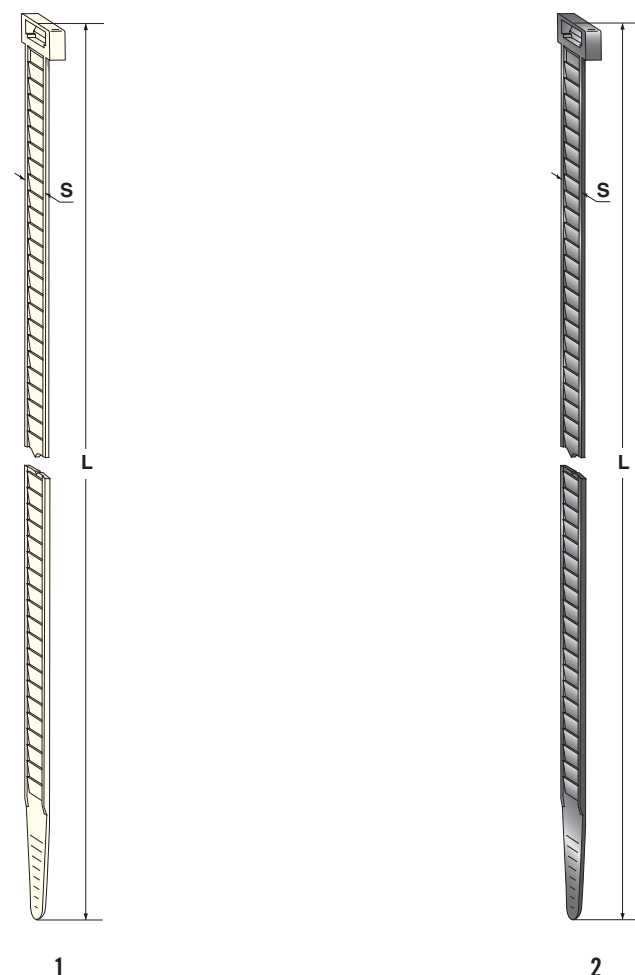
REUSABLE BAG WITH HANDLES  
19 LANGUAGES INSTRUCTIONS



# CABLES FIXING

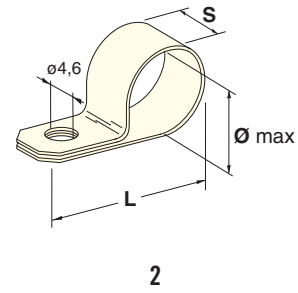
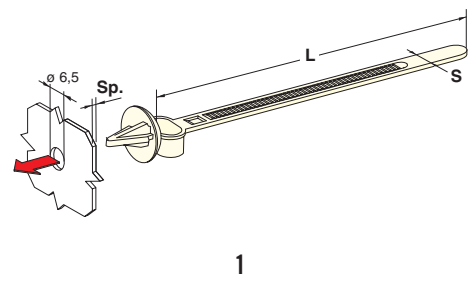


# SELF EXTINGUISHING CABLE TIES



| IMG. | DESCRIPTION                  | MATERIAL       | OPERATION TEMP | L mm | S mm | Ø mm | Kg mm | P/N WHITE | M.O.Q. | P/N BLACK | M.O.Q. |
|------|------------------------------|----------------|----------------|------|------|------|-------|-----------|--------|-----------|--------|
| 1/2  | SELF EXTINGUISHING CABLE TIE | PA66 V2 - UL94 | -40°C +85°C    | 75   | 2,2  | 15   | 7     |           |        | 4621400   | 100    |
|      |                              | PA66 V2 - UL94 | -40°C +85°C    | 98   | 2,5  | 20   | 8     | 4621110   | 100    | 4621410   | 100    |
|      |                              | PA66 V2 - UL94 | -40°C +85°C    | 135  | 2,5  | 25   | 8     | 4621120   | 100    | 4621420   | 100    |
|      |                              | PA66 V2 - UL94 | -40°C +85°C    | 200  | 2,6  | 50   | 8     | 4621130   | 100    | 4621430   | 100    |
|      |                              | PA66 V2 - UL94 | -40°C +85°C    | 140  | 3,6  | 30   | 13    | 4621140   | 100    | 4621440   | 100    |
|      |                              | PA66 V2 - UL94 | -40°C +85°C    | 290  | 3,6  | 75   | 13    | 4621150   | 100    | 4621450   | 100    |
|      |                              | PA66 V2 - UL94 | -40°C +85°C    | 160  | 4,5  | 36   | 18    |           |        | 4621460   | 100    |
|      |                              | PA66 V2 - UL94 | -40°C +85°C    | 178  | 4,8  | 40   | 22    | 4621170   | 100    | 4621470   | 100    |
|      |                              | PA66 V2 - UL94 | -40°C +85°C    | 200  | 4,8  | 50   | 22    | 4621180   | 100    | 4621480   | 100    |
|      |                              | PA66 V2 - UL94 | -40°C +85°C    | 250  | 4,8  | 62   | 22    | 4621190   | 100    | 4621490   | 100    |
|      |                              | PA66 V2 - UL94 | -40°C +85°C    | 290  | 4,8  | 75   | 22    | 4621200   | 100    | 4621500   | 100    |
|      |                              | PA66 V2 - UL94 | -40°C +85°C    | 360  | 4,8  | 100  | 22    | 4621210   | 100    | 4621510   | 100    |
|      |                              | PA66 V2 - UL94 | -40°C +85°C    | 120  | 7,8  | 20   | 54    |           |        | 4621520   | 100    |
|      |                              | PA66 V2 - UL94 | -40°C +85°C    | 180  | 7,8  | 40   | 54    |           |        | 4621530   | 100    |
|      |                              | PA66 V2 - UL94 | -40°C +85°C    | 240  | 7,8  | 50   | 54    | 4621240   | 100    | 4621540   | 100    |
|      |                              | PA66 V2 - UL94 | -40°C +85°C    | 300  | 7,8  | 77   | 54    |           |        | 4621550   | 100    |
|      |                              | PA66 V2 - UL94 | -40°C +85°C    | 365  | 7,8  | 100  | 54    | 4621260   | 100    | 4621560   | 100    |
|      |                              | PA66 V2 - UL94 | -40°C +85°C    | 450  | 7,8  | 125  | 54    | 4621270   | 100    | 4621570   | 100    |
|      |                              | PA66 V2 - UL94 | -40°C +85°C    | 540  | 7,8  | 150  | 54    | 4621280   | 100    | 4621580   | 100    |
|      |                              | PA66 V2 - UL94 | -40°C +85°C    | 750  | 7,8  | 200  | 54    |           |        | 4621590   | 100    |

# CABLE CLIPS



| IMG | DESCRIPTION       | MATERIAL       | L<br>mm | S<br>mm | ø<br>mm | Sp<br>mm |  | P/N<br>BOX | M.O.Q. |
|-----|-------------------|----------------|---------|---------|---------|----------|--|------------|--------|
| 1   | REUSABLE TIE      | PA66 V2 - UL94 | 140     | 6,5     | 6÷35    | 0,6÷2    |  | 4621051    | 200    |
|     | REUSABLE TIE      | PA66 V2 - UL94 | 100     | 6       | 2÷16    | 0,6÷1,5  |  | 4621052    | 200    |
| 2   | FIXING TUBE CLAMP | PA66           | 19,8    | 9,6     | 4,8     | -        |  | 4612110    | 100    |
|     | FIXING TUBE CLAMP | PA66           | 22      | 10      | 6,35    | -        |  | 4612120    | 100    |
|     | FIXING TUBE CLAMP | PA66           | 22      | 10      | 7,9     | -        |  | 4612130    | 100    |
|     | FIXING TUBE CLAMP | PA66           | 24      | 12      | 9,5     | -        |  | 4612140    | 100    |
|     | FIXING TUBE CLAMP | PA66           | 31      | 12      | 12,7    | -        |  | 4612150    | 100    |
|     | FIXING TUBE CLAMP | PA66           | 34,3    | 12      | 15,8    | -        |  | 4612160    | 100    |
|     | FIXING TUBE CLAMP | PA66           | 35      | 12      | 19,4    | -        |  | 4612170    | 100    |
|     | FIXING TUBE CLAMP | PA66           | 43      | 12      | 25,4    | -        |  | 4612180    | 100    |



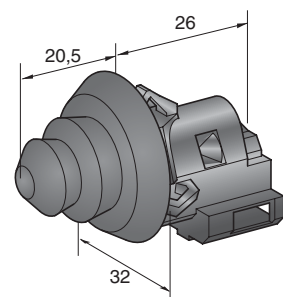
# SWITCHES



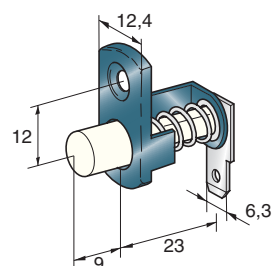




# PRESS SWITCHES



1

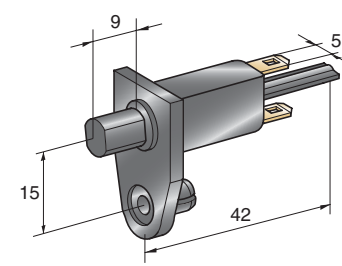


2

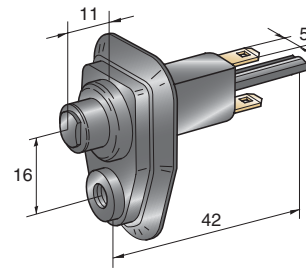
| IMG | DESCRIPTION  | APPLICATION                                | P/N BOX | M.O.Q. |
|-----|--------------|--|---------|--------|
| 1   | PRESS SWITCH | MULTIFUNCTIONAL - RENAULT                  | 4209655 | 1      |
| 2   | PRESS SWITCH | DOORS FIAT RITMO - PANDA - 131 - 132 - 128 | 4209500 | 1      |



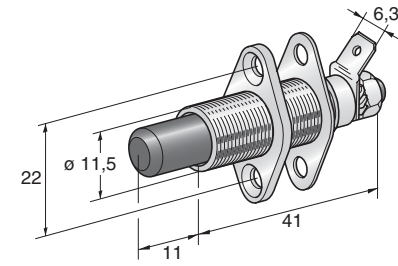
# PRESS SWITCHES



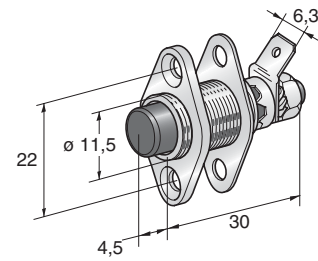
1



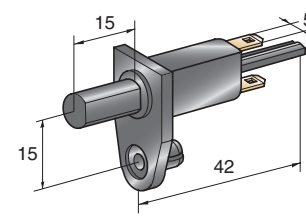
2



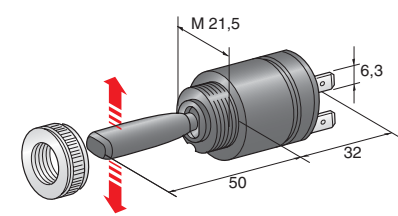
3



4



5



6

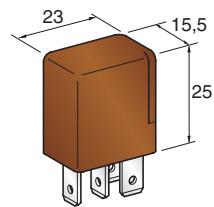
| IMG | DESCRIPTION  | APPLICATION                     | P/N BOX | M.O.Q. |
|-----|--------------|---------------------------------|---------|--------|
| 1   | PRESS SWITCH | DOORS FIAT UNO                  | 4209520 | 1      |
| 2   | PRESS SWITCH | DOORS FIAT CROMA - LANCIA THEMA | 4209530 | 1      |
| 3   | PRESS SWITCH | AUTOALARM, DOORS, TAILGATES     | 4209570 | 1      |
| 4   | PRESS SWITCH | AUTOALARM, DOORS, TAILGATES     | 4209580 | 1      |
| 5   | PRESS SWITCH | BOOT ALFA 164                   | 4209590 | 1      |
| 6   | PRESS SWITCH | TRACTOR LIGHT                   | 4208800 | 1      |



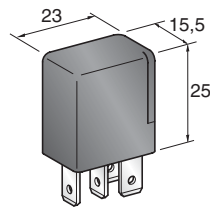
# SUNDRIES



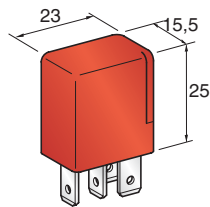
# RELAYS



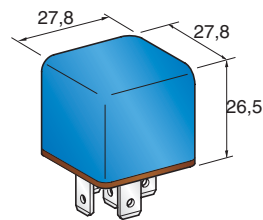
1



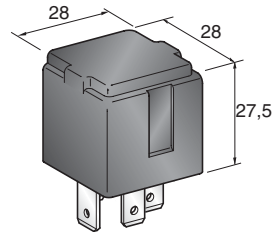
2



3

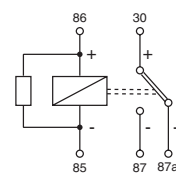


4

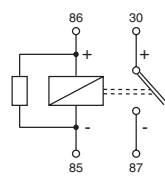


5

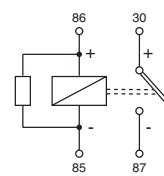
| IMG | DESCRIPTION | COLOUR | RATED CURRENT WITH 80° C | RATED VOLTAGE | WORKING TEMPERATURE T.min/T.max | P/N BOX | M.O.Q. |
|-----|-------------|--------|--------------------------|---------------|---------------------------------|---------|--------|
| 1   | MICRO RELAY | Brown  | 10A (NC) - 20A (NO)      | 12 V          | -40°C +125°C                    | 0603000 | 1      |
| 2   | MICRO RELAY | Black  | 20A (NO)                 | 12 V          | -40°C +125°C                    | 0603010 | 1      |
| 3   | MICRO RELAY | Red    | 30A (NO)                 | 12 V          | -40°C +125°C                    | 0603020 | 1      |
| 4   | MINI RELAY  | Blue   | 30A (NO)                 | 12 V          | -40°C +125°C                    | 0603040 | 1      |
| 5   | MAXI RELAY  | Black  | 50A (NO)                 | 12 V          | -40°C +125°C                    | 0603050 | 1      |



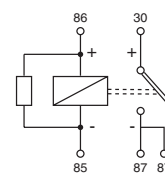
1



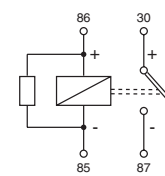
2



3

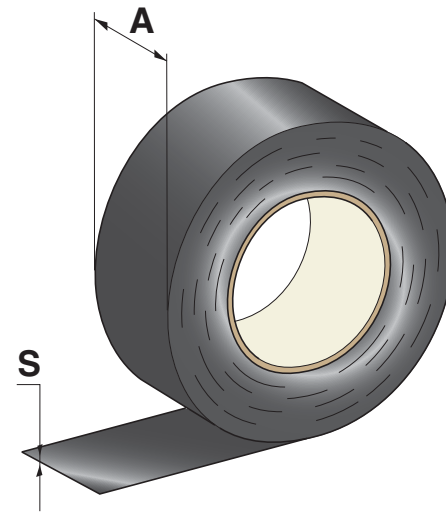


4



5

## SELF EXTINGUISHING INSULATING TAPE

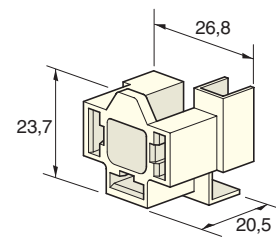


1

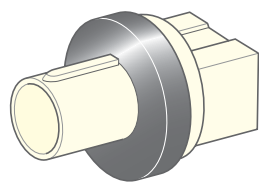
| IMG | DESCRIPTION                              | MATERIAL | COLOUR  | A<br>mm | L<br>mm | S<br>mm | P/N<br>BOX | M.O.Q. |
|-----|--|----------|---------|---------|---------|---------|------------|--------|
| 1   | SELF-EXTINGUISHING INSULATING TAPE       | PVC - VO | ■ Black | 15      | 10000   | 0,15    | 4640100    | 10     |
|     | SELF-EXTINGUISHING INSULATING TAPE       | PVC - VO | ■ Red   | 15      | 10000   | 0,15    | 4640110    | 10     |
|     | SELF-EXTINGUISHING INSULATING TAPE       | PVC - VO | ■ Black | 15      | 25000   | 0,15    | 4640200    | 10     |
|     | SELF-EXTINGUISHING INSULATING TAPE       | PVC - VO | ■ Black | 19      | 25000   | 0,15    | 4640300    | 10     |
|     | SELF-EXTINGUISHING INSULATING CLOTH TAPE | RAYON    | ■ Black | 19      | 25000   | 0,28    | 0100302    | 96     |



# LAMP HOLDERS



1



2

| IMG | DESCRIPTION  | MATERIAL | P/N BOX | M.O.Q. |
|-----|--|----------|---------|--------|
| 1   | 3WAY LAMP HOLDER   | PA       | 4410510 | 50     |
| 2   | PARKING LIGHTS AND DASHBOARD FOR LAMPS WITH W 2.1 X 9.5 D SOCKET |          | 4008500 | 50     |

### CONNECTIONS AND FIXINGS

IMG

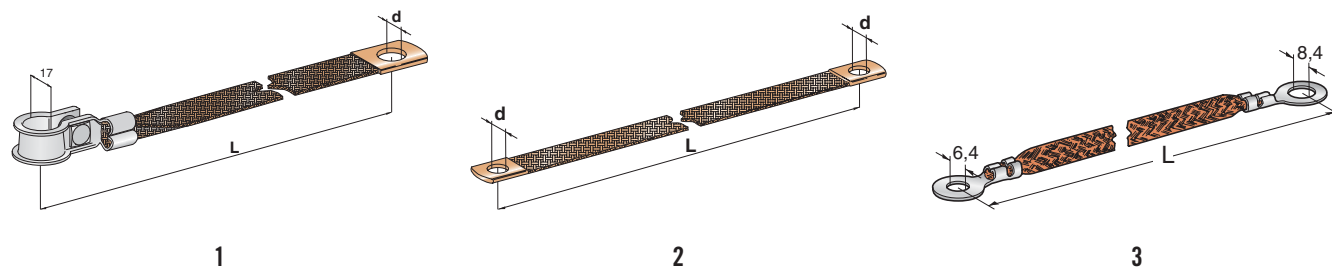
1



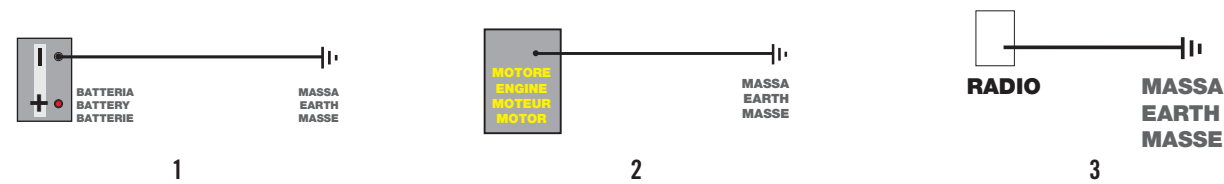
FASTON F800  
W/LOCK NOTCH



# GROUND CONNECTIONS



| IMG | DESCRIPTION      | WIRE SECTION mm2 | d mm | L mm | P/N BOX | M.O.Q. |
|-----|------------------|------------------|------|------|---------|--------|
| 1   | EARTH CONNECTION | 25               | 12,5 | 300  | 2508681 | 1      |
|     |                  | 25               | 12,5 | 400  | 2508682 | 1      |
|     |                  | 25               | 12,5 | 500  | 2508683 | 1      |
| 2   | EARTH CONNECTION | 10               | 8,4  | 210  | 2508650 | 1      |
|     |                  | 10               | 8,4  | 280  | 2508652 | 1      |
|     |                  | 15               | 10,4 | 330  | 2508660 | 1      |
|     |                  | 15               | 10,4 | 450  | 2508661 | 1      |
|     |                  | 15               | 10,4 | 280  | 2508662 | 1      |
|     |                  | 15               | 10,4 | 210  | 2508663 | 1      |
|     |                  | 25               | 12,5 | 320  | 2508670 | 1      |
|     |                  | 25               | 12,5 | 230  | 2508671 | 1      |
| 3   | EARTH CONNECTION | 25               | 12,5 | 400  | 2508672 | 1      |
|     |                  | -                | -    | 300  | 2508220 | 10     |





# LIST OF ALL ITEMS





LIST OF ITEMS



| P/N     | PAGE           | P/N     | PAGE | P/N     | PAGE   | P/N     | PAGE   | P/N     | PAGE           |
|---------|----------------|---------|------|---------|--------|---------|--------|---------|----------------|
| 0100300 | 80             | 0101400 | 62   | 0200171 | 20     | 0300400 | 65     | 0300670 | 54             |
| 0100302 | 211            | 0101450 | 39   | 0200172 | 20     | 0300401 | 65     | 0300680 | 54             |
| 0100306 | 80             | 0101460 | 46   | 0200180 | 20     | 0300402 | 65     | 0300681 | 55             |
| 0100330 | 67             | 0101470 | 48   | 0200181 | 20     | 0300403 | 65     | 0300683 | 55             |
| 0100334 | 69             | 0101484 | 46   | 0200182 | 20     | 0300404 | 65     | 0300684 | 55             |
| 0100335 | 74             | 0101491 | 51   | 0200296 | 22     | 0300405 | 65     | 0300690 | 84             |
| 0100336 | 74             | 0101494 | 47   | 0200297 | 22     | 0300406 | 65     | 0300691 | 84             |
| 0100337 | 74             | 0101497 | 78   | 0200298 | 22     | 0300407 | 65     | 0300697 | 86             |
| 0100341 | 69             | 0101498 | 78   | 0200299 | 22     | 0300415 | 65     | 0300698 | 86             |
| 0100345 | 64             | 0101499 | 78   | 0200300 | 22     | 0300416 | 62     | 0300699 | 43             |
| 0100350 | 66             | 0101504 | 47   | 0200301 | 22     | 0300420 | 68     | 0300700 | 54             |
| 0100351 | 66             | 0101510 | 48   | 0300140 | 20     | 0300430 | 85     | 0300793 | 46             |
| 0100352 | 84             | 0101520 | 39   | 0300142 | 20     | 0300440 | 85     | 0300800 | 37             |
| 0100353 | 66             | 0101530 | 39   | 0300149 | 20     | 0300442 | 28     | 0300839 | 29             |
| 0100358 | 85             | 0101540 | 39   | 0300150 | 20     | 0300452 | 34     | 0300849 | 37             |
| 0100359 | 66, 68         | 0101550 | 43   | 0300151 | 20     | 0300454 | 34     | 0300850 | 37             |
| 0100360 | 75             | 0101564 | 46   | 0300152 | 20     | 0300455 | 34     | 0300851 | 83             |
| 0100370 | 75             | 0101568 | 52   | 0300170 | 20     | 0300456 | 34     | 0300856 | 83             |
| 0100380 | 77             | 0101569 | 53   | 0300171 | 20     | 0300457 | 34     | 0300949 | 83             |
| 0100390 | 73             | 0101580 | 43   | 0300172 | 20     | 0300458 | 34     | 0300950 | 37             |
| 0100391 | 73             | 0101590 | 43   | 0300180 | 20     | 0300460 | 34     | 0301000 | 72             |
| 0100392 | 85             | 0101600 | 48   | 0300181 | 20     | 0300463 | 34     | 0301030 | 72, 73         |
| 0100400 | 65             | 0101640 | 46   | 0300182 | 20     | 0300464 | 34     | 0301040 | 72, 73         |
| 0100415 | 65             | 0101660 | 47   | 0300300 | 80     | 0300465 | 34     | 0301045 | 33             |
| 0100416 | 62             | 0101680 | 41   | 0300306 | 80     | 0300468 | 28     | 0301050 | 72, 73         |
| 0100420 | 68             | 0101681 | 42   | 0300330 | 67     | 0300489 | 100    | 0301053 | 33             |
| 0100430 | 85             | 0101682 | 40   | 0300331 | 67     | 0300500 | 37     | 0301060 | 72, 73         |
| 0100440 | 85             | 0101690 | 48   | 0300336 | 74     | 0300540 | 58     | 0301070 | 72, 73         |
| 0100500 | 37             | 0101695 | 47   | 0300341 | 69     | 0300541 | 58     | 0301080 | 72, 73         |
| 0100540 | 58             | 0101697 | 49   | 0300342 | 69     | 0300542 | 58     | 0301152 | 76             |
| 0100560 | 58             | 0101698 | 49   | 0300345 | 64     | 0300552 | 35     | 0301200 | 72             |
| 0100580 | 58             | 0101703 | 27   | 0300351 | 66     | 0300557 | 34     | 0301210 | 72             |
| 0100590 | 59             | 0101706 | 39   | 0300352 | 84     | 0300560 | 58     | 0301301 | 63             |
| 0100600 | 59             | 0101707 | 39   | 0300354 | 66     | 0300561 | 58     | 0301305 | 63             |
| 0100610 | 59             | 0101881 | 70   | 0300357 | 66, 67 | 0300562 | 58     | 0301307 | 63             |
| 0100655 | 54             | 0101882 | 70   | 0300358 | 85     | 0300564 | 49     | 0301310 | 63             |
| 0100665 | 54             | 0101883 | 71   | 0300359 | 66, 68 | 0300580 | 58     | 0301315 | 63             |
| 0100699 | 43             | 0101884 | 71   | 0300360 | 75     | 0300581 | 58     | 0301320 | 63             |
| 0100703 | 26             | 0103000 | 56   | 0300370 | 75     | 0300582 | 58, 59 | 0301325 | 63             |
| 0100705 | 54             | 0200140 | 20   | 0300380 | 77     | 0300590 | 59     | 0301330 | 63             |
| 0100710 | 30             | 0200142 | 20   | 0300390 | 73     | 0300600 | 59     | 0301370 | 50             |
| 0100800 | 37             | 0200149 | 20   | 0300391 | 73     | 0300602 | 59     | 0301371 | 50, 51, 52, 53 |
| 0101005 | 72             | 0200150 | 20   | 0300392 | 85     | 0300610 | 59     | 0301372 | 50             |
| 0101320 | 63             | 0200151 | 20   | 0300395 | 84     | 0300612 | 59     | 0301400 | 62             |
| 0101370 | 50             | 0200152 | 20   | 0300397 | 102    | 0300650 | 54     | 0301410 | 62             |
| 0101371 | 50, 51, 52, 53 | 0200170 | 20   | 0300398 | 84     | 0300660 | 54     | 0301420 | 57             |

LIST OF ITEMS

| P/N     | PAGE | P/N     | PAGE | P/N     | PAGE | P/N     | PAGE | P/N     | PAGE |
|---------|------|---------|------|---------|------|---------|------|---------|------|
| 0301430 | 57   | 0301696 | 47   | 0404041 | 15   | 0470100 | 17   | 0475050 | 18   |
| 0301431 | 57   | 0301697 | 49   | 0424020 | 15   | 0470101 | 17   | 0475051 | 18   |
| 0301435 | 57   | 0301698 | 49   | 0424021 | 15   | 0471030 | 17   | 0475060 | 18   |
| 0301450 | 39   | 0301699 | 49   | 0424025 | 15   | 0471031 | 17   | 0475061 | 18   |
| 0301460 | 46   | 0301706 | 39   | 0424026 | 15   | 0471040 | 17   | 0475070 | 18   |
| 0301470 | 48   | 0301707 | 39   | 0424030 | 15   | 0471041 | 17   | 0475071 | 18   |
| 0301484 | 46   | 0301865 | 36   | 0424031 | 15   | 0471050 | 17   | 0475080 | 18   |
| 0301486 | 46   | 0301873 | 36   | 0424040 | 15   | 0471051 | 17   | 0475081 | 18   |
| 0301491 | 51   | 0301881 | 70   | 0424041 | 15   | 0471060 | 17   | 0475100 | 18   |
| 0301494 | 47   | 0301882 | 70   | 0424050 | 15   | 0471061 | 17   | 0475101 | 18   |
| 0301496 | 47   | 0301883 | 71   | 0424051 | 15   | 0471080 | 17   | 0476025 | 16   |
| 0301497 | 78   | 0301884 | 71   | 0424060 | 15   | 0471081 | 17   | 0476026 | 16   |
| 0301498 | 78   | 0301887 | 32   | 0424061 | 15   | 0471100 | 17   | 0476030 | 16   |
| 0301499 | 78   | 0302000 | 60   | 0430300 | 21   | 0471101 | 17   | 0476031 | 16   |
| 0301502 | 76   | 0302001 | 60   | 0430400 | 21   | 0472030 | 18   | 0477045 | 16   |
| 0301504 | 47   | 0302305 | 63   | 0430500 | 21   | 0472031 | 18   | 0477046 | 16   |
| 0301506 | 47   | 0302310 | 63   | 0430600 | 21   | 0472040 | 18   | 0477065 | 16   |
| 0301508 | 79   | 0302315 | 63   | 0430700 | 21   | 0472041 | 18   | 0477066 | 16   |
| 0301509 | 79   | 0302320 | 63   | 0430800 | 21   | 0472050 | 18   | 0477075 | 16   |
| 0301510 | 48   | 0302325 | 63   | 0430900 | 21   | 0472051 | 18   | 0477076 | 16   |
| 0301511 | 79   | 0302330 | 63   | 0431000 | 21   | 0472060 | 18   | 0530400 | 21   |
| 0301512 | 79   | 0303003 | 56   | 0431100 | 21   | 0472061 | 18   | 0530500 | 21   |
| 0301520 | 39   | 0303005 | 56   | 0431300 | 21   | 0472080 | 18   | 0530600 | 21   |
| 0301530 | 39   | 0303006 | 56   | 0431400 | 21   | 0472081 | 18   | 0530800 | 21   |
| 0301540 | 39   | 0303007 | 56   | 0433200 | 21   | 0472100 | 18   | 0531100 | 21   |
| 0301550 | 43   | 0303008 | 56   | 0433300 | 21   | 0472101 | 18   | 0533200 | 21   |
| 0301564 | 46   | 0303009 | 56   | 0433400 | 21   | 0474020 | 16   | 0533400 | 21   |
| 0301566 | 46   | 0303010 | 56   | 0433450 | 21   | 0474021 | 16   | 0533500 | 21   |
| 0301568 | 52   | 0303015 | 56   | 0433500 | 21   | 0474030 | 16   | 0533600 | 21   |
| 0301569 | 53   | 0303020 | 56   | 0433600 | 21   | 0474031 | 16   | 0533700 | 21   |
| 0301580 | 43   | 0303025 | 56   | 0433700 | 21   | 0474040 | 16   | 0533800 | 21   |
| 0301590 | 43   | 0303030 | 56   | 0433800 | 21   | 0474041 | 16   | 0533850 | 21   |
| 0301600 | 48   | 0321000 | 72   | 0433850 | 21   | 0474050 | 16   | 0533900 | 21   |
| 0301601 | 48   | 0321200 | 72   | 0433900 | 21   | 0474051 | 16   | 0600010 | 24   |
| 0301602 | 48   | 0321210 | 72   | 0470020 | 17   | 0474060 | 16   | 0600090 | 4    |
| 0301620 | 44   | 0350459 | 34   | 0470021 | 17   | 0474061 | 16   | 0600100 | 4    |
| 0301630 | 45   | 0350558 | 34   | 0470030 | 17   | 0474070 | 16   | 0600101 | 4    |
| 0301640 | 46   | 0404015 | 15   | 0470031 | 17   | 0474071 | 16   | 0600110 | 4    |
| 0301660 | 47   | 0404016 | 15   | 0470040 | 17   | 0474080 | 16   | 0600120 | 4    |
| 0301661 | 47   | 0404020 | 15   | 0470041 | 17   | 0474081 | 16   | 0600130 | 4    |
| 0301680 | 41   | 0404021 | 15   | 0470050 | 17   | 0475020 | 18   | 0600140 | 4    |
| 0301681 | 42   | 0404025 | 15   | 0470051 | 17   | 0475021 | 18   | 0600150 | 4    |
| 0301682 | 40   | 0404026 | 15   | 0470060 | 17   | 0475030 | 18   | 0600160 | 4    |
| 0301690 | 48   | 0404030 | 15   | 0470061 | 17   | 0475031 | 18   | 0600170 | 4    |
| 0301691 | 48   | 0404031 | 15   | 0470080 | 17   | 0475040 | 18   | 0600210 | 19   |
| 0301695 | 47   | 0404040 | 15   | 0470081 | 17   | 0475041 | 18   | 0600220 | 19   |

LIST OF ITEMS



| P/N     | PAGE | P/N     | PAGE | P/N     | PAGE | P/N     | PAGE | P/N     | PAGE |
|---------|------|---------|------|---------|------|---------|------|---------|------|
| 0600230 | 19   | 0601350 | 14   | 0611150 | 13   | 0700390 | 5    | 0705160 | 4    |
| 0600240 | 19   | 0601400 | 14   | 0611175 | 13   | 0700900 | 8    | 0705170 | 4    |
| 0600250 | 19   | 0601401 | 12   | 0611200 | 13   | 0700910 | 8    | 0708030 | 10   |
| 0600260 | 19   | 0601450 | 14   | 0611225 | 13   | 0700920 | 8    | 0708040 | 10   |
| 0600270 | 19   | 0601500 | 14   | 0611250 | 13   | 0700930 | 8    | 0708050 | 10   |
| 0600280 | 19   | 0601600 | 12   | 0615080 | 11   | 0700940 | 8    | 0708060 | 10   |
| 0600290 | 19   | 0601700 | 14   | 0615100 | 11   | 0700950 | 8    | 0708070 | 10   |
| 0600302 | 19   | 0602030 | 9    | 0615125 | 11   | 0700960 | 8    | 0708080 | 10   |
| 0600375 | 5    | 0602040 | 9    | 0615150 | 11   | 0700970 | 8    | 0708100 | 10   |
| 0600380 | 5    | 0602050 | 9    | 0615175 | 11   | 0701100 | 12   | 0708125 | 10   |
| 0600390 | 5    | 0602060 | 9    | 0615200 | 11   | 0701125 | 12   | 0708150 | 10   |
| 0600400 | 5    | 0602070 | 9    | 0615225 | 11   | 0701150 | 12   | 0708175 | 10   |
| 0600401 | 5    | 0602080 | 9    | 0615250 | 11   | 0701175 | 12   | 0708200 | 10   |
| 0600407 | 23   | 0602100 | 9    | 0650015 | 24   | 0701200 | 12   | 0710030 | 7    |
| 0600408 | 23   | 0602125 | 9    | 0650016 | 24   | 0701225 | 12   | 0710035 | 7    |
| 0600410 | 5    | 0602925 | 6    | 0700090 | 4    | 0701250 | 12   | 0710040 | 7    |
| 0600418 | 23   | 0602930 | 6    | 0700100 | 4    | 0701300 | 12   | 0710050 | 7    |
| 0600420 | 5    | 0602935 | 6    | 0700101 | 4    | 0701350 | 14   | 0710060 | 7    |
| 0600430 | 5    | 0602940 | 6    | 0700110 | 4    | 0701400 | 14   | 0710070 | 7    |
| 0600440 | 5    | 0602950 | 6    | 0700120 | 4    | 0701401 | 12   | 0710080 | 7    |
| 0600450 | 5    | 0602960 | 6    | 0700130 | 4    | 0701450 | 14   | 0710300 | 5    |
| 0600460 | 5    | 0603000 | 210  | 0700140 | 4    | 0701500 | 14   | 0710310 | 5    |
| 0600470 | 5    | 0603010 | 210  | 0700150 | 4    | 0701600 | 12   | 0710320 | 5    |
| 0600492 | 5    | 0603020 | 210  | 0700160 | 4    | 0701700 | 14   | 0710330 | 5    |
| 0600493 | 5    | 0603040 | 210  | 0700170 | 4    | 0702030 | 9    | 0710340 | 5    |
| 0600494 | 5    | 0603050 | 210  | 0700210 | 19   | 0702040 | 9    | 0710350 | 5    |
| 0600495 | 5    | 0608030 | 10   | 0700220 | 19   | 0702050 | 9    | 0710360 | 5    |
| 0600496 | 5    | 0608040 | 10   | 0700230 | 19   | 0702060 | 9    | 0710370 | 5    |
| 0600497 | 5    | 0608050 | 10   | 0700240 | 19   | 0702070 | 9    | 0710375 | 5    |
| 0600498 | 5    | 0608060 | 10   | 0700250 | 19   | 0702080 | 9    | 0711100 | 13   |
| 0600900 | 8    | 0608070 | 10   | 0700260 | 19   | 0702100 | 9    | 0711125 | 13   |
| 0600910 | 8    | 0608080 | 10   | 0700270 | 19   | 0702125 | 9    | 0711150 | 13   |
| 0600920 | 8    | 0608100 | 10   | 0700280 | 19   | 0702925 | 6    | 0711175 | 13   |
| 0600930 | 8    | 0608125 | 10   | 0700290 | 19   | 0702930 | 6    | 0711200 | 13   |
| 0600940 | 8    | 0608150 | 10   | 0700300 | 5    | 0702935 | 6    | 0711225 | 13   |
| 0600950 | 8    | 0608175 | 10   | 0700301 | 5    | 0702940 | 6    | 0711250 | 13   |
| 0600960 | 8    | 0608200 | 10   | 0700302 | 19   | 0702950 | 6    | 0715080 | 11   |
| 0600970 | 8    | 0610030 | 7    | 0700310 | 5    | 0702960 | 6    | 0715100 | 11   |
| 0601100 | 12   | 0610035 | 7    | 0700320 | 5    | 0705090 | 4    | 0715125 | 11   |
| 0601125 | 12   | 0610040 | 7    | 0700330 | 5    | 0705100 | 4    | 0715150 | 11   |
| 0601150 | 12   | 0610050 | 7    | 0700340 | 5    | 0705101 | 4    | 0715175 | 11   |
| 0601175 | 12   | 0610060 | 7    | 0700350 | 5    | 0705110 | 4    | 0715200 | 11   |
| 0601200 | 12   | 0610070 | 7    | 0700360 | 5    | 0705120 | 4    | 0715225 | 11   |
| 0601225 | 12   | 0610080 | 7    | 0700370 | 5    | 0705130 | 4    | 0715250 | 11   |
| 0601250 | 12   | 0611100 | 13   | 0700375 | 5    | 0705140 | 4    | 1000618 | 185  |
| 0601300 | 12   | 0611125 | 13   | 0700380 | 5    | 0705150 | 4    | 1000900 | 184  |

LIST OF ITEMS

| P/N     | PAGE | P/N     | PAGE | P/N     | PAGE | P/N     | PAGE | P/N     | PAGE |
|---------|------|---------|------|---------|------|---------|------|---------|------|
| 1000910 | 184  | 1107670 | 155  | 1108381 | 149  | 1506070 | 124  | 1507772 | 119  |
| 1000930 | 184  | 1107671 | 155  | 1108382 | 149  | 1506080 | 124  | 1507785 | 119  |
| 1101400 | 157  | 1107675 | 155  | 1108383 | 149  | 1506090 | 124  | 1507790 | 119  |
| 1101412 | 159  | 1107685 | 155  | 1108400 | 151  | 1506100 | 124  | 1507795 | 119  |
| 1101650 | 157  | 1107690 | 155  | 1108401 | 151  | 1506110 | 124  | 1507800 | 120  |
| 1101660 | 159  | 1107700 | 155  | 1108402 | 151  | 1506120 | 124  | 1507810 | 120  |
| 1101662 | 159  | 1107710 | 155  | 1108500 | 152  | 1506130 | 124  | 1507820 | 120  |
| 1101680 | 158  | 1107720 | 155  | 1108501 | 152  | 1506200 | 125  | 1507821 | 120  |
| 1101700 | 157  | 1107740 | 156  | 1108502 | 152  | 1506210 | 125  | 1507830 | 120  |
| 1101710 | 157  | 1107741 | 156  | 1108503 | 152  | 1506250 | 125  | 1507875 | 120  |
| 1101720 | 158  | 1107760 | 154  | 1108510 | 152  | 1506260 | 125  | 1507885 | 120  |
| 1101940 | 164  | 1107770 | 154  | 1108511 | 152  | 1506270 | 124  | 1507904 | 121  |
| 1101950 | 164  | 1107900 | 153  | 1108512 | 152  | 1506280 | 124  | 1507905 | 121  |
| 1102000 | 162  | 1107901 | 153  | 1108513 | 152  | 1506650 | 122  | 1507915 | 121  |
| 1102010 | 162  | 1107920 | 153  | 1200580 | 185  | 1506655 | 122  | 1507916 | 121  |
| 1102050 | 163  | 1107930 | 153  | 1200590 | 185  | 1506656 | 122  | 1507925 | 121  |
| 1104500 | 161  | 1107940 | 153  | 1200880 | 167  | 1506658 | 122  | 1507926 | 121  |
| 1104510 | 161  | 1107960 | 166  | 1201000 | 165  | 1506660 | 122  | 1507946 | 121  |
| 1105500 | 160  | 1107970 | 166  | 1201070 | 165  | 1506665 | 122  | 1507955 | 121  |
| 1105510 | 160  | 1107980 | 166  | 1201110 | 165  | 1506666 | 122  | 1507956 | 121  |
| 1105550 | 160  | 1107990 | 152  | 1201150 | 166  | 1506668 | 122  | 1507957 | 121  |
| 1105560 | 160  | 1107991 | 152  | 1201160 | 166  | 1506675 | 122  | 1507975 | 121  |
| 1105615 | 162  | 1107992 | 152  | 1201200 | 165  | 1506678 | 122  | 1508001 | 119  |
| 1105620 | 162  | 1107993 | 152  | 1201210 | 165  | 1506720 | 122  | 1602550 | 129  |
| 1105630 | 162  | 1108000 | 166  | 1201220 | 165  | 1506721 | 122  | 1602970 | 129  |
| 1105660 | 163  | 1108010 | 163  | 1201230 | 165  | 1506730 | 122  | 1602980 | 129  |
| 1105670 | 163  | 1108020 | 163  | 1301390 | 157  | 1506731 | 122  | 1602981 | 129  |
| 1106700 | 131  | 1108030 | 162  | 1301391 | 157  | 1506740 | 123  | 1602990 | 129  |
| 1106710 | 131  | 1108050 | 162  | 1301400 | 157  | 1506741 | 123  | 1603000 | 129  |
| 1106720 | 131  | 1108060 | 162  | 1301402 | 157  | 1506760 | 123  | 1604300 | 132  |
| 1106730 | 131  | 1108070 | 163  | 1301411 | 159  | 1506761 | 123  | 1605000 | 148  |
| 1106750 | 131  | 1108080 | 163  | 1301412 | 159  | 1506765 | 123  | 1605010 | 148  |
| 1106760 | 131  | 1108110 | 133  | 1301417 | 159  | 1506820 | 125  | 1605020 | 148  |
| 1107000 | 158  | 1108120 | 133  | 1301418 | 159  | 1507601 | 121  | 1605021 | 148  |
| 1107010 | 158  | 1108260 | 161  | 1301420 | 158  | 1507700 | 119  | 1605030 | 148  |
| 1107020 | 158  | 1108270 | 161  | 1301501 | 158  | 1507701 | 119  | 1605040 | 148  |
| 1107209 | 163  | 1108280 | 162  | 1301650 | 157  | 1507703 | 119  | 1605100 | 148  |
| 1107210 | 162  | 1108290 | 161  | 1301660 | 159  | 1507704 | 119  | 1605110 | 148  |
| 1107211 | 162  | 1108300 | 161  | 1301665 | 159  | 1507705 | 119  | 1605600 | 136  |
| 1107212 | 163  | 1108330 | 150  | 1400850 | 167  | 1507707 | 119  | 1605610 | 136  |
| 1107400 | 154  | 1108331 | 150  | 1400860 | 167  | 1507708 | 119  | 1605620 | 136  |
| 1107410 | 154  | 1108332 | 150  | 1400862 | 167  | 1507710 | 119  | 1605630 | 136  |
| 1107420 | 154  | 1108337 | 150  | 1400865 | 167  | 1507720 | 119  | 1605650 | 136  |
| 1107501 | 153  | 1108338 | 150  | 1400880 | 167  | 1507736 | 119  | 1605700 | 136  |
| 1107650 | 155  | 1108339 | 150  | 1401400 | 157  | 1507760 | 119  | 1605710 | 136  |
| 1107660 | 155  | 1108380 | 149  | 1506060 | 124  | 1507771 | 119  | 1605720 | 136  |

LIST OF ITEMS



| P/N     | PAGE | P/N     | PAGE | P/N     | PAGE | P/N     | PAGE | P/N     | PAGE |
|---------|------|---------|------|---------|------|---------|------|---------|------|
| 1605730 | 136  | 1608450 | 143  | 1705735 | 134  | 1707671 | 155  | 1708270 | 139  |
| 1605800 | 136  | 1608460 | 143  | 1705745 | 134  | 1707672 | 155  | 1708280 | 134  |
| 1605810 | 136  | 1608470 | 143  | 1705816 | 135  | 1707675 | 155  | 1708310 | 132  |
| 1605811 | 136  | 1608500 | 141  | 1705825 | 135  | 1707685 | 155  | 1708315 | 132  |
| 1605815 | 135  | 1608510 | 141  | 1705826 | 135  | 1707690 | 155  | 1708320 | 132  |
| 1605820 | 136  | 1608520 | 145  | 1705835 | 135  | 1707700 | 155  | 1708325 | 132  |
| 1605830 | 136  | 1608540 | 147  | 1705846 | 135  | 1707710 | 155  | 1708330 | 150  |
| 1605900 | 136  | 1608600 | 145  | 1705855 | 135  | 1707720 | 155  | 1708331 | 150  |
| 1605910 | 136  | 1608700 | 145  | 1705856 | 135  | 1707740 | 156  | 1708332 | 150  |
| 1605911 | 136  | 1608800 | 133  | 1705925 | 135  | 1707741 | 156  | 1708334 | 150  |
| 1605930 | 136  | 1608911 | 146  | 1706600 | 140  | 1707742 | 156  | 1708335 | 150  |
| 1606500 | 140  | 1609000 | 129  | 1706700 | 131  | 1707760 | 154  | 1708336 | 150  |
| 1606770 | 140  | 1609100 | 145  | 1706701 | 131  | 1707770 | 154  | 1708337 | 150  |
| 1606775 | 140  | 1609200 | 132  | 1706710 | 131  | 1707780 | 154  | 1708338 | 150  |
| 1606785 | 140  | 1609310 | 147  | 1706711 | 131  | 1707900 | 153  | 1708339 | 150  |
| 1606791 | 140  | 1609320 | 133  | 1706720 | 131  | 1707901 | 153  | 1708345 | 138  |
| 1606795 | 140  | 1609330 | 133  | 1706721 | 131  | 1707902 | 153  | 1708360 | 144  |
| 1606796 | 140  | 1609340 | 133  | 1706730 | 131  | 1707911 | 153  | 1708370 | 144  |
| 1606855 | 178  | 1609400 | 146  | 1706731 | 131  | 1707912 | 153  | 1708380 | 149  |
| 1606890 | 140  | 1609500 | 146  | 1706740 | 131  | 1707920 | 153  | 1708381 | 149  |
| 1606981 | 138  | 1609600 | 146  | 1706741 | 131  | 1707930 | 153  | 1708382 | 149  |
| 1606982 | 138  | 1609910 | 145  | 1706750 | 131  | 1707932 | 153  | 1708383 | 149  |
| 1606990 | 138  | 1609911 | 145  | 1706760 | 131  | 1707940 | 153  | 1708391 | 149  |
| 1606991 | 138  | 1609920 | 145  | 1706880 | 140  | 1707942 | 153  | 1708392 | 149  |
| 1606992 | 138  | 1609960 | 147  | 1706890 | 140  | 1707990 | 152  | 1708400 | 151  |
| 1606994 | 138  | 1617500 | 141  | 1706900 | 137  | 1707991 | 152  | 1708401 | 151  |
| 1606995 | 144  | 1701400 | 157  | 1706910 | 137  | 1707992 | 152  | 1708402 | 151  |
| 1607400 | 144  | 1701412 | 159  | 1706920 | 137  | 1707993 | 152  | 1708500 | 152  |
| 1607500 | 141  | 1701650 | 157  | 1706930 | 137  | 1707994 | 152  | 1708501 | 152  |
| 1607510 | 142  | 1701651 | 157  | 1706940 | 137  | 1707995 | 152  | 1708502 | 152  |
| 1608180 | 133  | 1701655 | 157  | 1706950 | 138  | 1708110 | 133  | 1708503 | 152  |
| 1608190 | 133  | 1701660 | 159  | 1706960 | 138  | 1708120 | 133  | 1708504 | 152  |
| 1608196 | 133  | 1701940 | 164  | 1706970 | 138  | 1708150 | 130  | 1708505 | 152  |
| 1608199 | 133  | 1704004 | 141  | 1706975 | 139  | 1708160 | 130  | 1708510 | 152  |
| 1608210 | 132  | 1704010 | 141  | 1706977 | 139  | 1708170 | 132  | 1708511 | 152  |
| 1608321 | 132  | 1704500 | 161  | 1706980 | 138  | 1708175 | 132  | 1708512 | 152  |
| 1608323 | 132  | 1704510 | 161  | 1706990 | 138  | 1708185 | 139  | 1708513 | 152  |
| 1608345 | 138  | 1705550 | 160  | 1707400 | 154  | 1708200 | 138  | 1793752 | 142  |
| 1608346 | 138  | 1705560 | 160  | 1707410 | 154  | 1708210 | 132  | 1793753 | 142  |
| 1608380 | 141  | 1705606 | 134  | 1707420 | 154  | 1708215 | 132  | 1793754 | 130  |
| 1608381 | 141  | 1705616 | 134  | 1707620 | 155  | 1708220 | 138  | 1796416 | 142  |
| 1608382 | 141  | 1705626 | 134  | 1707621 | 155  | 1708230 | 132  | 1850200 | 171  |
| 1608384 | 141  | 1705656 | 134  | 1707622 | 155  | 1708240 | 134  | 1850209 | 171  |
| 1608400 | 143  | 1705715 | 134  | 1707650 | 155  | 1708245 | 134  | 1850300 | 171  |
| 1608415 | 144  | 1705725 | 134  | 1707660 | 155  | 1708246 | 134  | 1850309 | 171  |
| 1608420 | 143  | 1705726 | 135  | 1707670 | 155  | 1708250 | 135  | 1850400 | 171  |

LIST OF ITEMS

| P/N     | PAGE | P/N     | PAGE | P/N     | PAGE | P/N        | PAGE | P/N     | PAGE |
|---------|------|---------|------|---------|------|------------|------|---------|------|
| 1850409 | 171  | 1857159 | 169  | 1866109 | 170  | 1901411box | 159  | 3050135 | 81   |
| 1850450 | 172  | 1857200 | 169  | 1866300 | 170  | 1901412box | 159  | 3050136 | 81   |
| 1850459 | 172  | 1857209 | 169  | 1866309 | 170  | 1901417box | 159  | 3050152 | 62   |
| 1850500 | 171  | 1857250 | 169  | 1867000 | 170  | 1901418box | 159  | 3050153 | 63   |
| 1850509 | 171  | 1857259 | 169  | 1867009 | 170  | 1901420box | 158  | 4008500 | 212  |
| 1851000 | 171  | 1860000 | 178  | 1867100 | 170  | 1901501box | 158  | 4208800 | 208  |
| 1851009 | 171  | 1860500 | 171  | 1867109 | 170  | 1901650    | 157  | 4209500 | 207  |
| 1851400 | 171  | 1860509 | 171  | 1867200 | 170  | 1901660    | 159  | 4209520 | 208  |
| 1851409 | 171  | 1861000 | 171  | 1867209 | 170  | 1901665box | 159  | 4209530 | 208  |
| 1851500 | 171  | 1861009 | 171  | 1868000 | 175  | 1902970    | 129  | 4209570 | 208  |
| 1851509 | 171  | 1862000 | 172  | 1868009 | 175  | 1902980    | 129  | 4209580 | 208  |
| 1852000 | 172  | 1862009 | 172  | 1868100 | 175  | 1902981    | 129  | 4209590 | 208  |
| 1852009 | 172  | 1862500 | 172  | 1868109 | 175  | 1906970    | 138  | 4209655 | 207  |
| 1852400 | 173  | 1862509 | 172  | 1868200 | 175  | 1907501box | 153  | 4407510 | 161  |
| 1852409 | 173  | 1863000 | 171  | 1868209 | 175  | 1911400    | 157  | 4407530 | 160  |
| 1852500 | 172  | 1863009 | 171  | 1869000 | 175  | 1911650    | 157  | 4407740 | 160  |
| 1852509 | 172  | 1863100 | 169  | 1869009 | 175  | 1951145box | 158  | 4407750 | 160  |
| 1853050 | 169  | 1863109 | 169  | 1869100 | 175  | 1951194    | 159  | 4410060 | 115  |
| 1853059 | 169  | 1863150 | 169  | 1869109 | 175  | 2508220    | 213  | 4410062 | 116  |
| 1853060 | 169  | 1863159 | 169  | 1869200 | 175  | 2508650    | 213  | 4410065 | 115  |
| 1853069 | 169  | 1863200 | 169  | 1880060 | 177  | 2508652    | 213  | 4410068 | 115  |
| 1853070 | 169  | 1863209 | 169  | 1880070 | 177  | 2508660    | 213  | 4410070 | 115  |
| 1853079 | 169  | 1863250 | 169  | 1880080 | 177  | 2508661    | 213  | 4410072 | 115  |
| 1853150 | 169  | 1863259 | 169  | 1880090 | 177  | 2508662    | 213  | 4410073 | 115  |
| 1853159 | 169  | 1863300 | 169  | 1880100 | 177  | 2508663    | 213  | 4410074 | 115  |
| 1853200 | 169  | 1863309 | 169  | 1880120 | 177  | 2508670    | 213  | 4410076 | 115  |
| 1853209 | 169  | 1864000 | 174  | 1880130 | 177  | 2508671    | 213  | 4410077 | 116  |
| 1853250 | 169  | 1864009 | 174  | 1880140 | 177  | 2508672    | 213  | 4410078 | 116  |
| 1854200 | 171  | 1864100 | 174  | 1880150 | 177  | 2508681    | 213  | 4410079 | 116  |
| 1854400 | 171  | 1864109 | 174  | 1880230 | 177  | 2508682    | 213  | 4410080 | 115  |
| 1854409 | 171  | 1864300 | 174  | 1880240 | 177  | 2508683    | 213  | 4410082 | 115  |
| 1854500 | 171  | 1864309 | 174  | 1880250 | 177  | 2550087    | 198  | 4410083 | 115  |
| 1854550 | 172  | 1864400 | 174  | 1880280 | 176  | 3001001    | 73   | 4410084 | 115  |
| 1854559 | 172  | 1864409 | 174  | 1880290 | 176  | 3004000    | 23   | 4410086 | 115  |
| 1855000 | 171  | 1864500 | 174  | 1880300 | 176  | 3050123    | 105  | 4410090 | 173  |
| 1855009 | 171  | 1864509 | 174  | 1880310 | 176  | 3050124    | 105  | 4410091 | 173  |
| 1855400 | 171  | 1864600 | 174  | 1900590 | 185  | 3050125    | 105  | 4410092 | 173  |
| 1855500 | 171  | 1864609 | 174  | 1900900 | 184  | 3050126    | 105  | 4410096 | 173  |
| 1855509 | 171  | 1864700 | 174  | 1900910 | 184  | 3050127    | 105  | 4410097 | 173  |
| 1856000 | 172  | 1864800 | 174  | 1900920 | 184  | 3050128    | 105  | 4410150 | 110  |
| 1856009 | 172  | 1865069 | 170  | 1900930 | 184  | 3050129    | 105  | 4410160 | 110  |
| 1856400 | 173  | 1865100 | 170  | 1900940 | 184  | 3050130    | 105  | 4410170 | 110  |
| 1856409 | 173  | 1865109 | 170  | 1901390 | 157  | 3050131    | 106  | 4410180 | 110  |
| 1857100 | 169  | 1865200 | 170  | 1901391 | 157  | 3050132    | 106  | 4410190 | 110  |
| 1857109 | 169  | 1865209 | 170  | 1901400 | 157  | 3050133    | 106  | 4410200 | 110  |
| 1857150 | 169  | 1866100 | 170  | 1901402 | 157  | 3050134    | 106  | 4410210 | 111  |

LIST OF ITEMS



| P/N     | PAGE     | P/N     | PAGE     | P/N        | PAGE | P/N     | PAGE     | P/N        | PAGE           |
|---------|----------|---------|----------|------------|------|---------|----------|------------|----------------|
| 4410220 | 111      | 4420910 | 108      | 4440600    | 101  | 4510496 | 126      | 4540315    | 91             |
| 4410230 | 111      | 4420911 | 108, 186 | 4440700    | 93   | 4510497 | 126      | 4540325    | 91             |
| 4410240 | 111      | 4420920 | 109      | 4440800    | 93   | 4510499 | 126      | 4540335    | 91             |
| 4410245 | 81       | 4420921 | 109, 186 | 4441100    | 101  | 4510502 | 127      | 4540345    | 91             |
| 4410246 | 81       | 4420931 | 109, 186 | 4441200    | 101  | 4510503 | 127      | 4540405    | 90             |
| 4410247 | 81       | 4423510 | 107      | 4507510box | 161  | 4510658 | 161      | 4540410    | 91             |
| 4410250 | 111      | 4423520 | 107      | 4507740box | 160  | 4510662 | 161      | 4540420    | 91             |
| 4410260 | 111      | 4423530 | 107      | 4510070    | 115  | 4510801 | 97       | 4540430    | 91             |
| 4410270 | 112      | 4423540 | 107      | 4510073    | 115  | 4510802 | 97       | 4540500    | 92             |
| 4410280 | 112      | 4423550 | 107      | 4510074    | 115  | 4510810 | 98       | 4540501    | 92             |
| 4410290 | 112      | 4423560 | 107      | 4510076    | 115  | 4510811 | 98       | 4540502    | 92             |
| 4410295 | 112      | 4423610 | 105      | 4510077    | 116  | 4510812 | 98       | 4540503    | 92             |
| 4410296 | 112      | 4423620 | 105      | 4510080    | 115  | 4510820 | 98       | 4540601    | 101            |
| 4410300 | 187      | 4423630 | 105      | 4510086    | 115  | 4510821 | 98       | 4540602    | 101            |
| 4410310 | 187      | 4423640 | 105      | 4510090    | 173  | 4510830 | 97       | 4540705    | 93             |
| 4410320 | 187      | 4423650 | 105      | 4510091    | 173  | 4510840 | 96       | 4540715    | 93             |
| 4410360 | 187      | 4423660 | 105      | 4510092    | 173  | 4510870 | 99       | 4540735    | 93             |
| 4410400 | 187      | 4423670 | 105      | 4510096    | 173  | 4510875 | 99       | 4540805    | 93             |
| 4410480 | 127      | 4423680 | 105      | 4510110    | 104  | 4510880 | 96       | 4540815    | 93             |
| 4410495 | 126      | 4423690 | 106      | 4510115    | 104  | 4510881 | 96       | 4540816    | 95             |
| 4410496 | 126      | 4423700 | 106      | 4510120    | 103  | 4510890 | 96       | 4540817    | 95             |
| 4410510 | 212      | 4423710 | 106      | 4510125    | 103  | 4510891 | 96       | 4541100    | 101            |
| 4410605 | 102      | 4423720 | 106      | 4510130    | 104  | 4510921 | 98       | 4541200    | 101            |
| 4410610 | 102      | 4426030 | 113      | 4510135    | 103  | 4510970 | 99       | 4541201    | 101            |
| 4410655 | 109      | 4426040 | 113      | 4510145    | 104  | 4510975 | 99       | 4541202    | 101            |
| 4410656 | 109      | 4426050 | 113      | 4510150    | 110  | 4520900 | 108      | 4541203    | 31             |
| 4410660 | 108      | 4426060 | 113      | 4510160    | 110  | 4520901 | 108, 186 | 4541204    | 31             |
| 4410661 | 108      | 4426110 | 113      | 4510170    | 110  | 4520902 | 108, 186 | 4545100    | 88, 90, 91, 93 |
| 4410801 | 97       | 4426120 | 113      | 4510180    | 110  | 4520910 | 108      | 4545200    | 88             |
| 4410810 | 98       | 4426130 | 114      | 4510190    | 110  | 4520911 | 108, 186 | 4545300    | 90, 91, 92, 93 |
| 4410811 | 98       | 4426140 | 114      | 4510200    | 110  | 4520921 | 109, 186 | 4545400    | 90             |
| 4410820 | 98       | 4426150 | 114      | 4510210    | 111  | 4520931 | 109, 186 | 4545800    | 93             |
| 4410821 | 98       | 4426160 | 114      | 4510220    | 111  | 4540105 | 88       | 4550747box | 150            |
| 4410830 | 97       | 4426170 | 114      | 4510230    | 111  | 4540110 | 94       | 4550748box | 150            |
| 4410840 | 96       | 4426180 | 114      | 4510240    | 111  | 4540111 | 94       | 4550749box | 150            |
| 4410870 | 99       | 4430100 | 117      | 4510245    | 81   | 4540112 | 94       | 4550750box | 150            |
| 4410880 | 96       | 4430110 | 117      | 4510247    | 81   | 4540113 | 94       | 4550780    | 154            |
| 4410881 | 96       | 4430120 | 117      | 4510250    | 111  | 4540150 | 89       | 4550781    | 154            |
| 4410890 | 96       | 4430130 | 117      | 4510260    | 111  | 4540205 | 88       | 4550782    | 154            |
| 4410891 | 96       | 4433800 | 107      | 4510270    | 112  | 4540210 | 94       | 4550784    | 154            |
| 4410921 | 98       | 4440100 | 88       | 4510280    | 112  | 4540211 | 94       | 4551575    | 186            |
| 4410970 | 99       | 4440200 | 88       | 4510290    | 112  | 4540212 | 94       | 4551605    | 102            |
| 4420800 | 116      | 4440300 | 90       | 4510295    | 112  | 4540302 | 90       | 4551606    | 102            |
| 4420900 | 108      | 4440310 | 91       | 4510296    | 112  | 4540303 | 92       | 4551607    | 102            |
| 4420901 | 108, 186 | 4440340 | 91       | 4510400    | 187  | 4540305 | 90       | 4551610    | 102            |
| 4420902 | 108, 186 | 4440400 | 90       | 4510480    | 127  | 4540312 | 91       | 4551611    | 102            |

LIST OF ITEMS

| P/N     | PAGE | P/N     | PAGE | P/N     | PAGE | P/N     | PAGE     |
|---------|------|---------|------|---------|------|---------|----------|
| 4551612 | 102  | 4621490 | 204  | 4814351 | 202  | 5050227 | 190      |
| 4551613 | 102  | 4621500 | 204  | 4814361 | 202  | 5051108 | 191      |
| 4551614 | 102  | 4621510 | 204  | 4814373 | 202  | 5056000 | 189      |
| 4551615 | 102  | 4621520 | 204  | 4814375 | 202  | 5056005 | 189      |
| 4551747 | 150  | 4621530 | 204  | 4914221 | 199  | 5056008 | 189      |
| 4551748 | 150  | 4621540 | 204  | 4914222 | 199  | 5114861 | 189      |
| 4551749 | 150  | 4621550 | 204  | 4914256 | 199  | 5114901 | 189      |
| 4551897 | 95   | 4621560 | 204  | 4914257 | 199  | 5151137 | 191      |
| 4551898 | 95   | 4621570 | 204  | 4914258 | 199  | 5515870 | 192      |
| 4551899 | 95   | 4621580 | 204  | 4914259 | 199  | 7050081 | 196      |
| 4551900 | 95   | 4621590 | 204  | 4914262 | 199  | 7050088 | 195      |
| 4551901 | 152  | 4640100 | 211  | 4914264 | 199  | 7050090 | 194      |
| 4551902 | 152  | 4640110 | 211  | 4914265 | 201  | 7050091 | 194      |
| 4612110 | 205  | 4640200 | 211  | 4914266 | 201  | 7050092 | 195      |
| 4612120 | 205  | 4640300 | 211  | 4914267 | 200  | 7050096 | 195      |
| 4612130 | 205  | 4814220 | 199  | 4914268 | 200  | 7050100 | 195      |
| 4612140 | 205  | 4814221 | 199  | 4914312 | 200  | 7050101 | 195      |
| 4612150 | 205  | 4814222 | 199  | 4914313 | 200  | 7057081 | 196      |
| 4612160 | 205  | 4814250 | 200  | 4914322 | 200  | 7057088 | 195      |
| 4612170 | 205  | 4814251 | 199  | 4914323 | 200  | 7057091 | 194, 195 |
| 4612180 | 205  | 4814252 | 199  | 4914326 | 201  | 7057092 | 195      |
| 4621051 | 205  | 4814254 | 201  | 4914327 | 201  | 7057093 | 195      |
| 4621052 | 205  | 4814255 | 199  | 5014861 | 189  | 9602450 | 181      |
| 4621110 | 204  | 4814256 | 199  | 5014862 | 189  | 9602455 | 181      |
| 4621120 | 204  | 4814257 | 199  | 5014873 | 189  | 9602460 | 182      |
| 4621130 | 204  | 4814258 | 199  | 5014877 | 189  | 9602490 | 180      |
| 4621140 | 204  | 4814259 | 199  | 5014900 | 189  | 9602500 | 182      |
| 4621150 | 204  | 4814261 | 202  | 5014901 | 189  | 9815530 | 198      |
| 4621170 | 204  | 4814262 | 199  | 5050090 | 189  | 9815550 | 198      |
| 4621180 | 204  | 4814264 | 199  | 5050097 | 189  | 9815560 | 198      |
| 4621190 | 204  | 4814267 | 200  | 5050103 | 189  | 9815561 | 198      |
| 4621200 | 204  | 4814268 | 200  | 5050106 | 192  | 9815562 | 198      |
| 4621210 | 204  | 4814271 | 202  | 5050108 | 189  |         |          |
| 4621240 | 204  | 4814272 | 202  | 5050121 | 189  |         |          |
| 4621260 | 204  | 4814281 | 202  | 5050123 | 189  |         |          |
| 4621270 | 204  | 4814282 | 202  | 5050124 | 189  |         |          |
| 4621280 | 204  | 4814290 | 202  | 5050126 | 190  |         |          |
| 4621400 | 204  | 4814291 | 202  | 5050127 | 190  |         |          |
| 4621410 | 204  | 4814295 | 202  | 5050128 | 191  |         |          |
| 4621420 | 204  | 4814311 | 200  | 5050133 | 192  |         |          |
| 4621430 | 204  | 4814321 | 200  | 5050136 | 190  |         |          |
| 4621440 | 204  | 4814330 | 201  | 5050140 | 190  |         |          |
| 4621450 | 204  | 4814331 | 201  | 5050143 | 190  |         |          |
| 4621460 | 204  | 4814332 | 201  | 5050147 | 190  |         |          |
| 4621470 | 204  | 4814341 | 202  | 5050155 | 190  |         |          |
| 4621480 | 204  | 4814350 | 202  | 5050156 | 190  |         |          |







A norma della legge sul diritto d'autore e del codice civile, è tassativamente vietata la riproduzione di questo catalogo o parte di esso, con qualsiasi metodo elettronico, meccanico, per mezzo di fotocopie, microfilm, registrazioni o altro. I diritti sono riservati per tutti i paesi.

According to the copyright and the civil law, the reproduction of this catalogue, or any part of this one, by electronic, mechanical methods, by means of photocopies, microfilms, recordings or other, is peremptorily forbidden. Rights are reserved for all countries.

Disegni, caratteristiche e codifiche, possono essere soggetti a modifiche e variazioni. Al fine di un miglioramento tecnologico e qualitativo, MTA S.p.A. si riserva la facoltà di effettuare cambiamenti senza nessun preavviso.

Drawings, specifications and reference numbers may be modified and changed. MTA S.p.A. reserves itself the right, to make changes for technical or quality improvements, without any notice.

I prodotti di questo catalogo sono destinati ad uso industriale e professionale e devono essere installati e manovrati da persone qualificate.

The products in this catalogue are intended for industrial and professional use and must be installed and operated by qualified personnel.

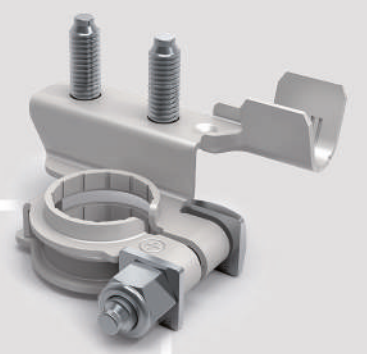
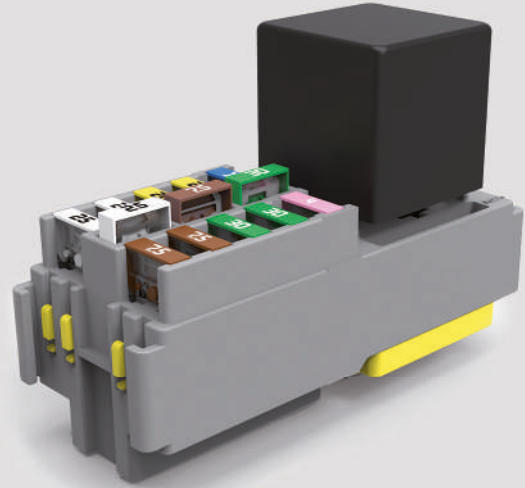
L'acquirente è tenuto ad informare l'utilizzatore finale dei rischi connessi al loro errato utilizzo (es. folgorazione, scoppio ecc). Il venditore deve tenersi esonerato da qualsiasi uso improprio e/o derivante anche e non solo da omessa e/o insufficiente informazione relativa ai prodotti di cui sopra ed al loro uso.

The buyer is obliged to inform the end user of the risks associated with the misuse of the products (e.g. electric shock, explosion, etc.). The seller shall be held exempt from any use that is improper and/or arising also and not only from omitted and/or insufficient information relating to the above products and their use.



Per conoscere i distributori di MTA nel mondo potete consultare il sito [www.mta.it](http://www.mta.it)

To know MTA agents and distributors in the world please go to [www.mta.it](http://www.mta.it)



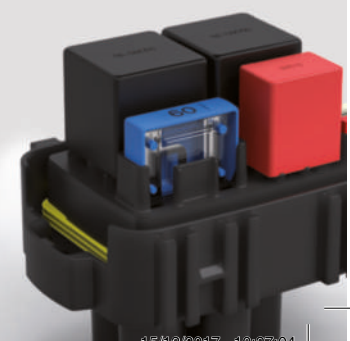
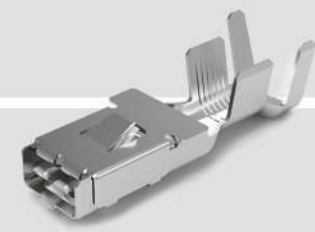
ITALY  
 BRAZIL  
 POLAND  
 SLOVAKIA  
 USA  
 INDIA  
 CHINA  
 MEXICO  
 MOROCCO

[www.mta.it](http://www.mta.it)

PRODUCT CATALOGUE

# PRODUCT CATALOGUE

## 2018



Ref. 9951220



2018

## X-ON Electronics

Largest Supplier of Electrical and Electronic Components

*Click to view similar products for [Automotive Fuses](#) category:*

*Click to view products by [MTA](#) manufacturer:*

Other Similar products are found below :

[HBO-10](#) [HBO-100](#) [HBO-150](#) [HBO-25](#) [HBO-40](#) [HBO-50](#) [AFX-150](#) [AT-10](#) [AT-30](#) [AT-5](#) [ATM-4LP](#) [ACL-30](#) [ACL-50](#) [AFX-50](#) [HBO-15](#)  
[HBO-70](#) [AT-20](#) [AT-25](#) [AT-3](#) [142.7010.5502](#) [BK-HBH-I](#) [BK-AGX-1-2](#) [142.0020.6152](#) [FMM-15](#) [0695030.PXPS](#) [0695040.PXPS](#)  
[0297003.WXT](#) [0695025.PXPS](#) [0695015.PXPS](#) [0200300](#) [02400106P](#) [0297002.WXT](#) [0297004.WXT](#) [0297010.WXT](#) [0297015.WXT](#)  
[0297020.WXT](#) [0297025.WXT](#) [0297030.WXT](#) [029707.5WXT](#) [0602930](#) [0602935](#) [0602940](#) [0602950](#) [0602960](#) [0611100](#) [0611125](#) [0611150](#)  
[0611175](#) [0611200](#) [0611225](#)