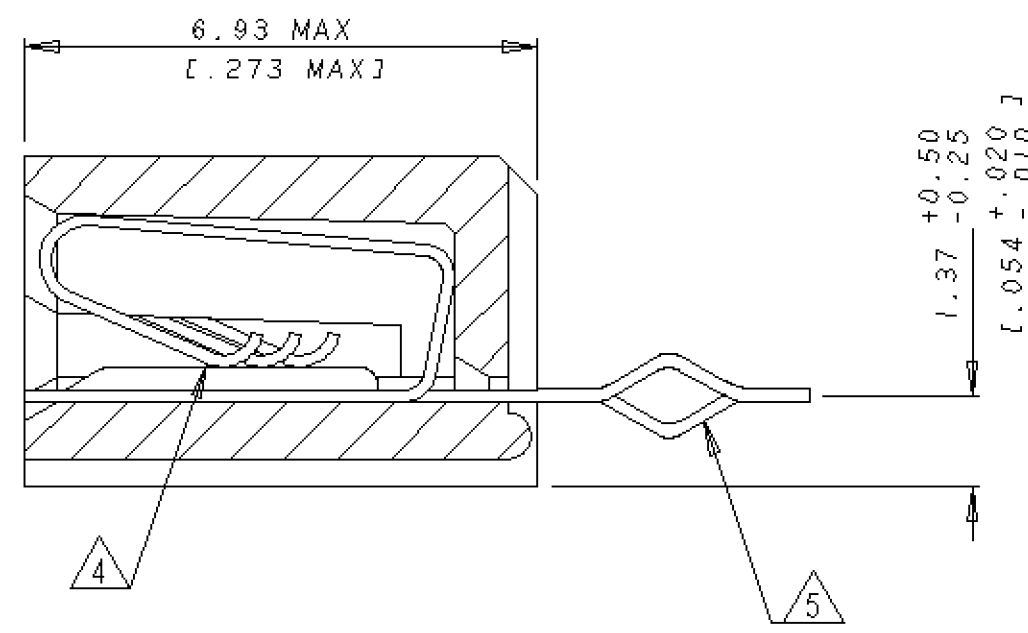
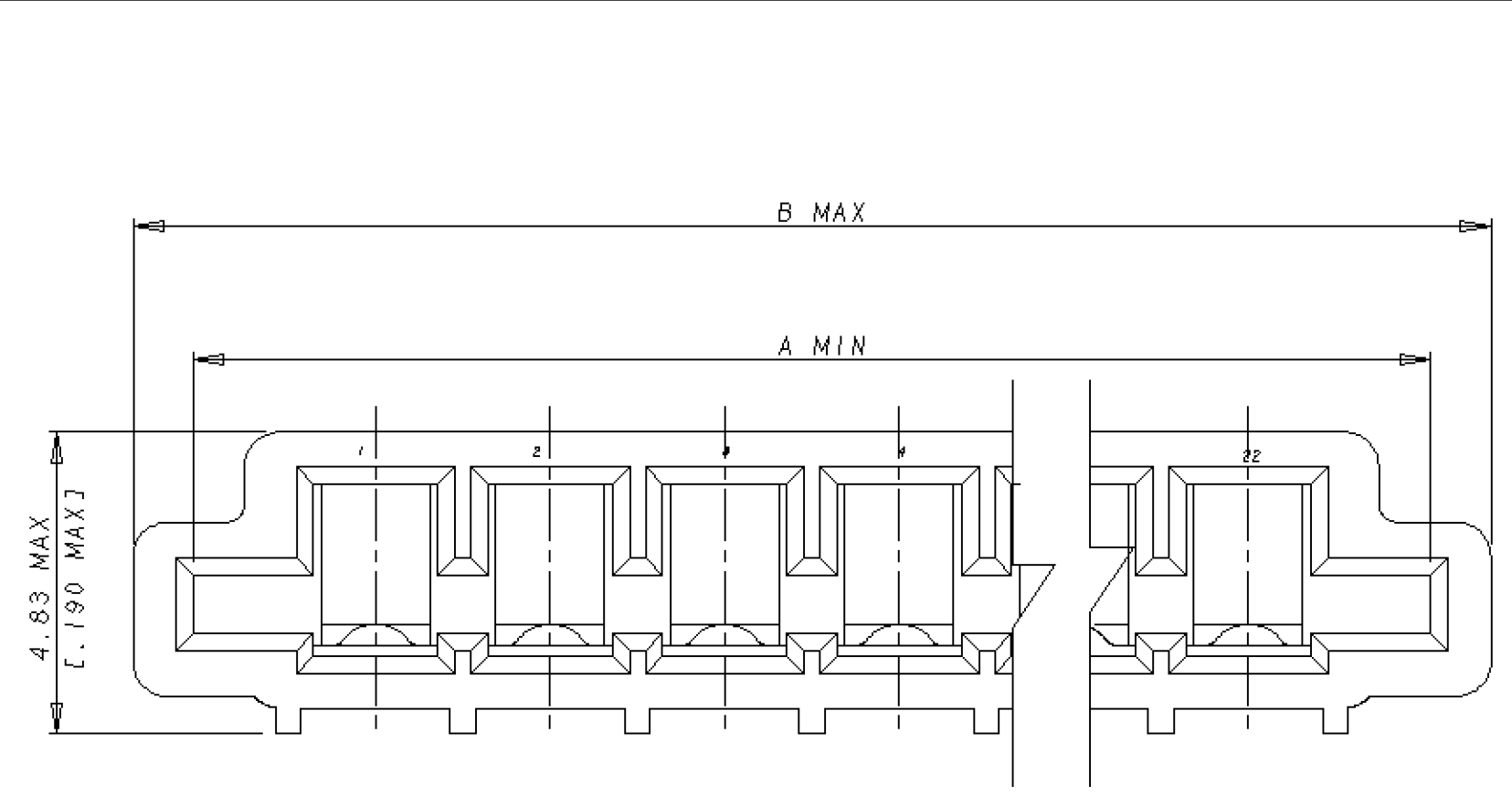
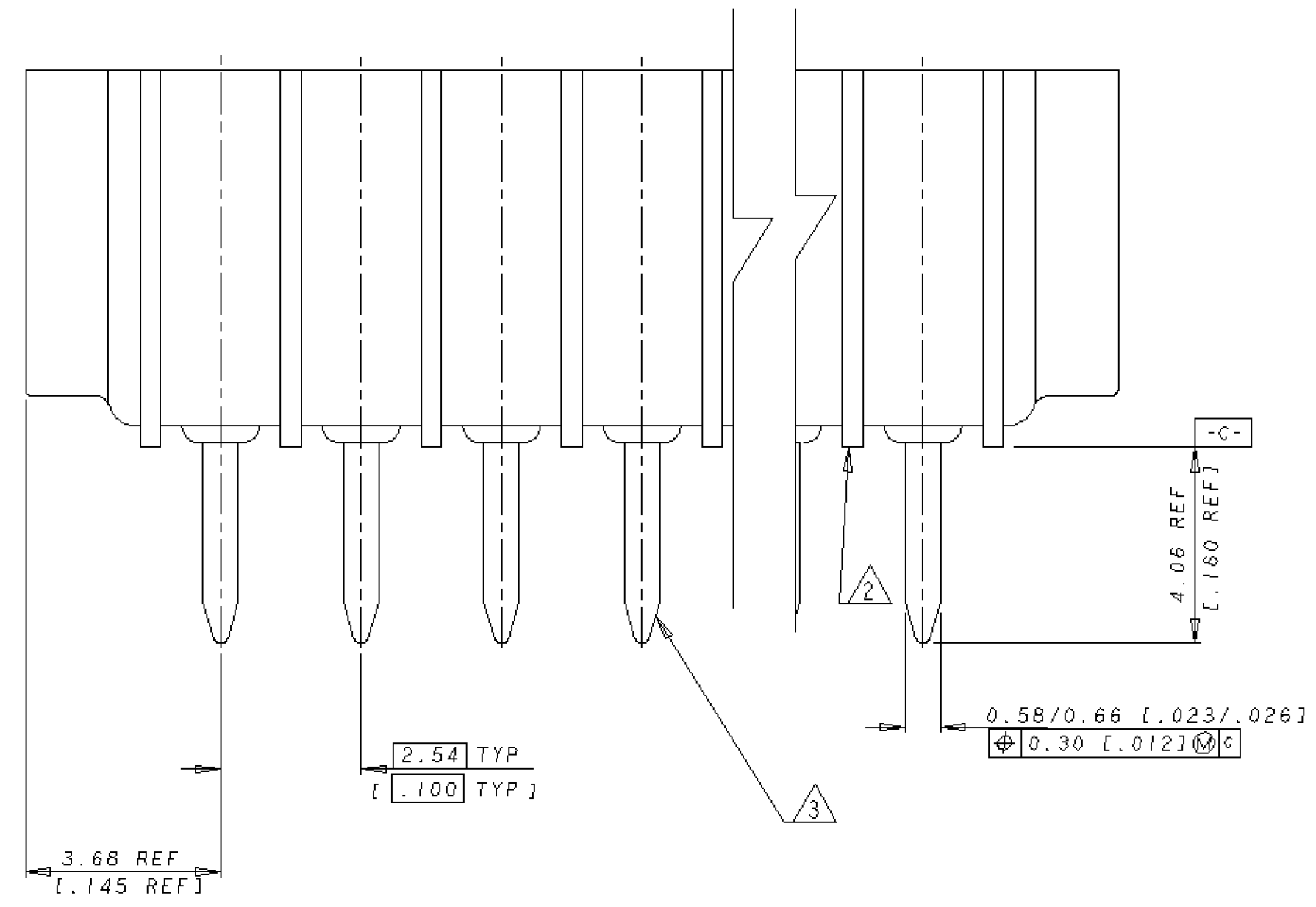


NUMBER 487509  
METRIC  
(3/4 ANGLE PROJECTION)



- NOTES
- CONNECTOR WILL ACCEPT FLEXIBLE PRINTED CIRCUIT OR FLAT FLEXIBLE CABLE ON 2.54 [1.00] CENTERS IN A THICKNESS RANGE OF 0.127 TO 0.381 [0.005 TO .015] IN CONTACT AREA
  - STAND-OFFS PREVENT SOLVENT ENTRAPMENT
  - LEAD-IN ON PINS FOR EASE OF INSERTION INTO BOARD
  - SEQUENTIAL CONTACTS REDUCE CABLE INSERTION FORCE
  - ALTERNATING CONTACT FORM RETAINS CONNECTOR IN P.C. BOARD DURING SOLDER OPERATION
  - ACCEPTS CABLE OR CIRCUITRY WITH EXPOSED CONDUCTORS FACING TOWARD OR AWAY FROM THE BOARD SURFACE
  - REFER TO APPLICATION SPEC 114-2062
  - MATERIAL  
HOUSING : GLASS REINFORCED POLYESTER  
THERMOPLASTIC UL 94 VO RATED, BLACK  
CONTACT : PHOSPHOR BRONZE
  - CONNECTOR IS HIGH NORMAL PROCE
  - MATTE TIN 0.005 [0.002] MIN THK OVER COPPER 0.003 [0.0015] MIN THK ON ENTIRE CONTACT
  - OBSOLETE PARTS: OBSOLETE CIS STREAMLINING PER D.RENAUD/D.SINISI



LEAD FREE				SUPERSEDED	
POS	PART NO	B	A	POS	PART NO
	<del>7- 487509-1</del>	60.78 [2.393]	58.57 [2.306]	22	<del>2-487509-1</del>
	<del>7- 487509-0</del>	58.24 [2.293]	56.03 [2.206]	21	<del>2-487509-0</del>
	6- 487509-9	55.70 [2.193]	53.49 [2.106]	20	1-487509-9
	6- 487509-8	53.16 [2.093]	50.95 [2.006]	19	1-487509-8
	<del>6- 487509-7</del>	50.62 [1.993]	48.41 [1.906]	18	<del>1-487509-7</del>
	6- 487509-6	48.08 [1.893]	45.87 [1.806]	17	1-487509-6
	<del>6- 487509-5</del>	45.54 [1.793]	43.33 [1.706]	16	<del>1-487509-5</del>
	<del>6- 487509-4</del>	43.00 [1.693]	40.79 [1.606]	15	<del>1-487509-4</del>
	6- 487509-3	40.46 [1.593]	38.25 [1.506]	14	1-487509-3
	<del>6- 487509-2</del>	37.92 [1.493]	35.71 [1.406]	13	<del>1-487509-2</del>
	6- 487509-1	35.38 [1.393]	33.17 [1.306]	12	1-487509-1
	6- 487509-0	32.84 [1.293]	30.63 [1.206]	11	1-487509-0
	<del>5- 487509-9</del>	30.30 [1.193]	28.09 [1.106]	10	<del>487509-9</del>
	5- 487509-8	27.76 [1.093]	25.55 [1.006]	9	487509-8
	5- 487509-7	25.22 [.993]	23.01 [.906]	8	487509-7
	5- 487509-6	22.68 [.893]	20.47 [.806]	7	487509-6
	5- 487509-5	20.14 [.793]	17.93 [.706]	6	487509-5
	5- 487509-4	17.60 [.693]	15.39 [.606]	5	487509-4
	5- 487509-3	15.06 [.593]	12.85 [.506]	4	487509-3
	5- 487509-2	12.52 [.493]	10.31 [.406]	3	487509-2
	5- 487509-1	9.98 [.393]	7.77 [.306]	2	487509-1

E3 ECR-10-022530		KK HMR	07/08/11	(WIRE RANGE)	(INSULATION DIA.)	(NAME)	TRIO-MATE
E2 REVISED PER ECO-09-026346		KK AEG	27/NOV/09	mm <sup>2</sup> (AWG - )	- mm		VERTICAL CABLE ENTRY
E1 REVISED AS PER ECR-06-04332		PM KS	21/FEB/08	(MATERIAL)	(FINISH)		FOR 1.57[.062] THK P.C. BOARD
E REVISED FROM-0011-04		SD PCH	19/FEB/04			(GENERAL TOLERANCE)	SIZE LOC
D REVISED FROM-0003-01		LWY TAP	03/JAN/01	DR. WYLEE	DE. A.SOH	±0.38	A2 DY
LTR (REVISION RECORD)		DR CHK	DATE	CHK. SALLY	APP. RICHARD TAN	[±.015]	(SCALE) 10:1
							REV. E3 SHEET 1 OF 1

(CUSTOMER DRAWING)

PRINT DIST  
DIMENSIONS IN MM [INCHES]. DO NOT SCALE PRINT

## X-ON Electronics

Largest Supplier of Electrical and Electronic Components

*Click to view similar products for [FFC & FPC Connectors](#) category:*

*Click to view products by [TE Connectivity](#) manufacturer:*

Other Similar products are found below :

[HFW11R-1STE1H1LF](#) [FH29B-100S-0.2SHW\(99\)](#) [FA5S008HP1](#) [FH29B-120S-0.2SHW\(99\)](#) [FH29B-80S-0.2SHW\(99\)](#) [FHS-16](#) [FPH-2022G](#)  
[52610-1075](#) [52610-1275](#) [52610-1934](#) [XF3M\(1\)-1415-1B-R100](#) [501864-3091-TR225](#) [0525594033](#) [086210010340800](#) [086222026001800](#)  
[52271-2869-CUT-TAPE](#) [62674-201121DLF](#) [62684-36210E9ALF](#) [52610-1675](#) [52746-1671-TR250](#) [10051922-2810EHLF](#) [6-520415-9](#)  
[BD021-09A-A1-0350-0200-0550-LD](#) [SFV6R-1STE9HLF](#) [XF3M-2915-1B-R100](#) [1658549-1](#) [62674-221121ALF](#) [46214008010800](#)  
[046298003000883](#) [151660622](#) [842-816-2630-035](#) [AYF530665TA](#) [AYF351525](#) [046296011930846+](#) [AYF352325A](#) [046254020000800+](#)  
[FH19C-13S-0.5SH\(99\)](#) [FH39J-51S-0.3SHW\(99\)](#) [AYF355125A](#) [AYF530365TA](#) [FH29B-44S-0.2SHW\(99\)](#) [SFW5R-2STAE9LF](#) [AYF351125A](#)  
[AYF350725A](#) [62684-502100AHLF](#) [FH39-61S-0.3SHW\(99\)](#) [AYF414035A](#) [10064555-172520HLF](#) [AYF212335A](#) [504754-2500](#)